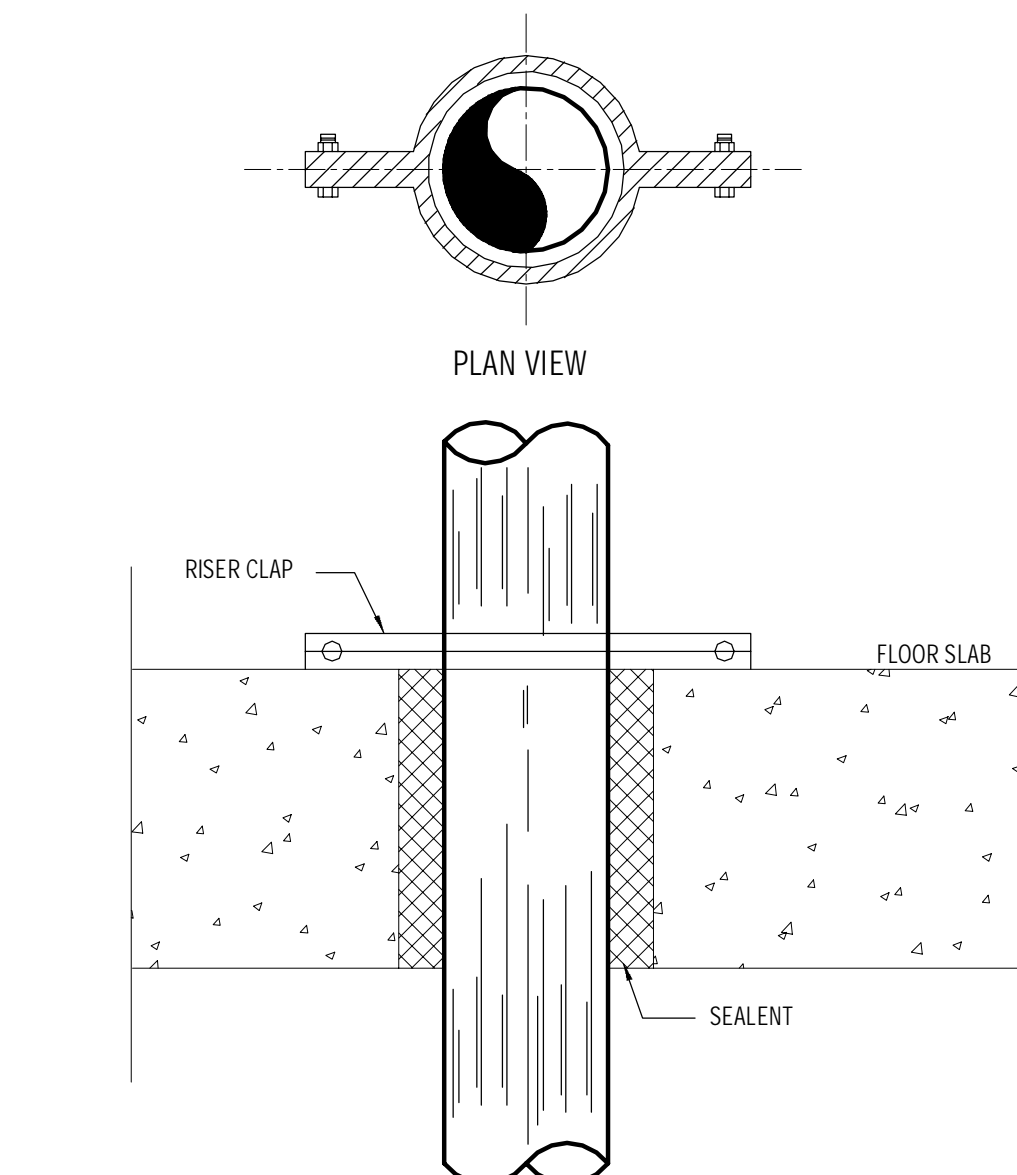
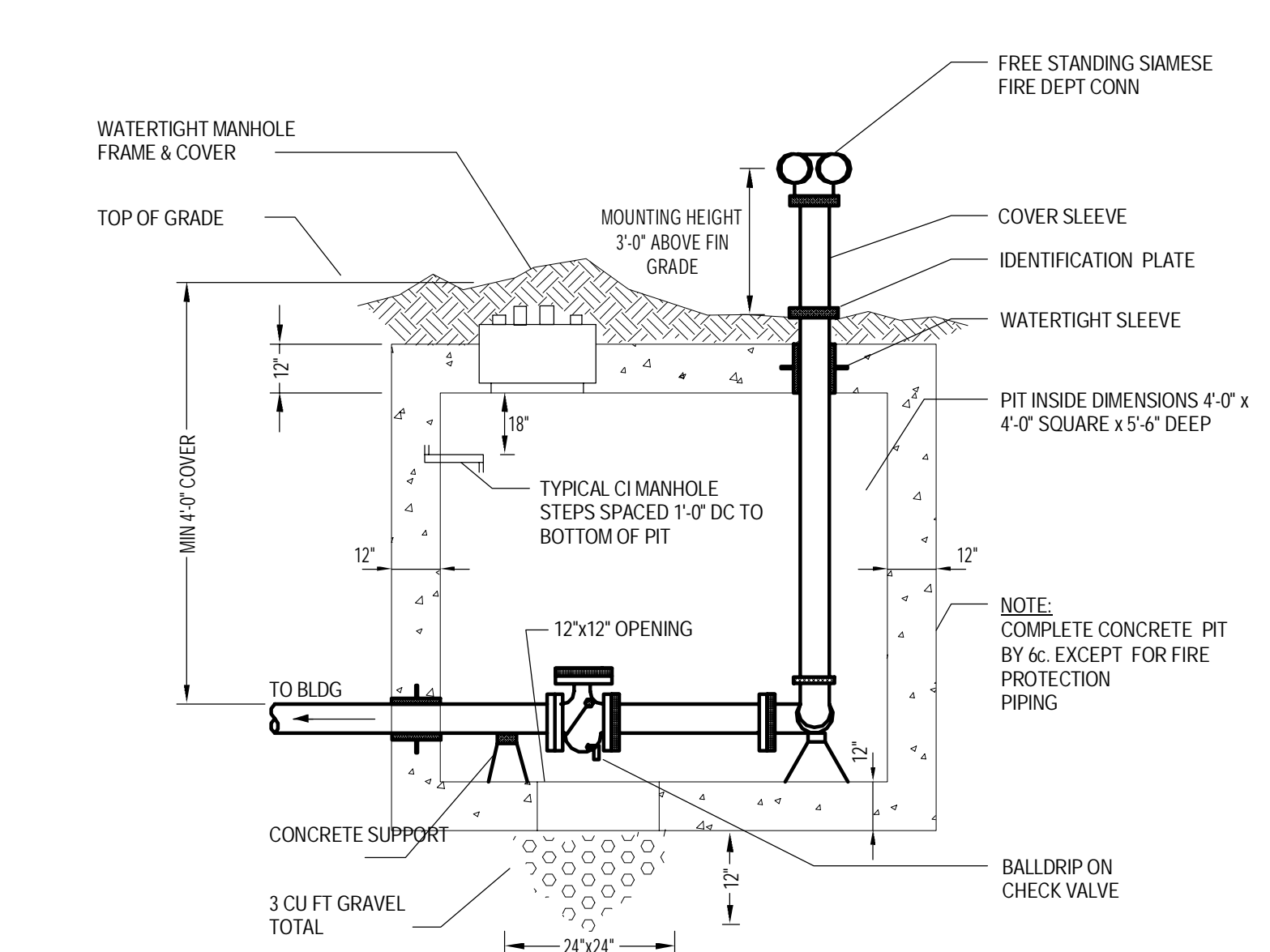


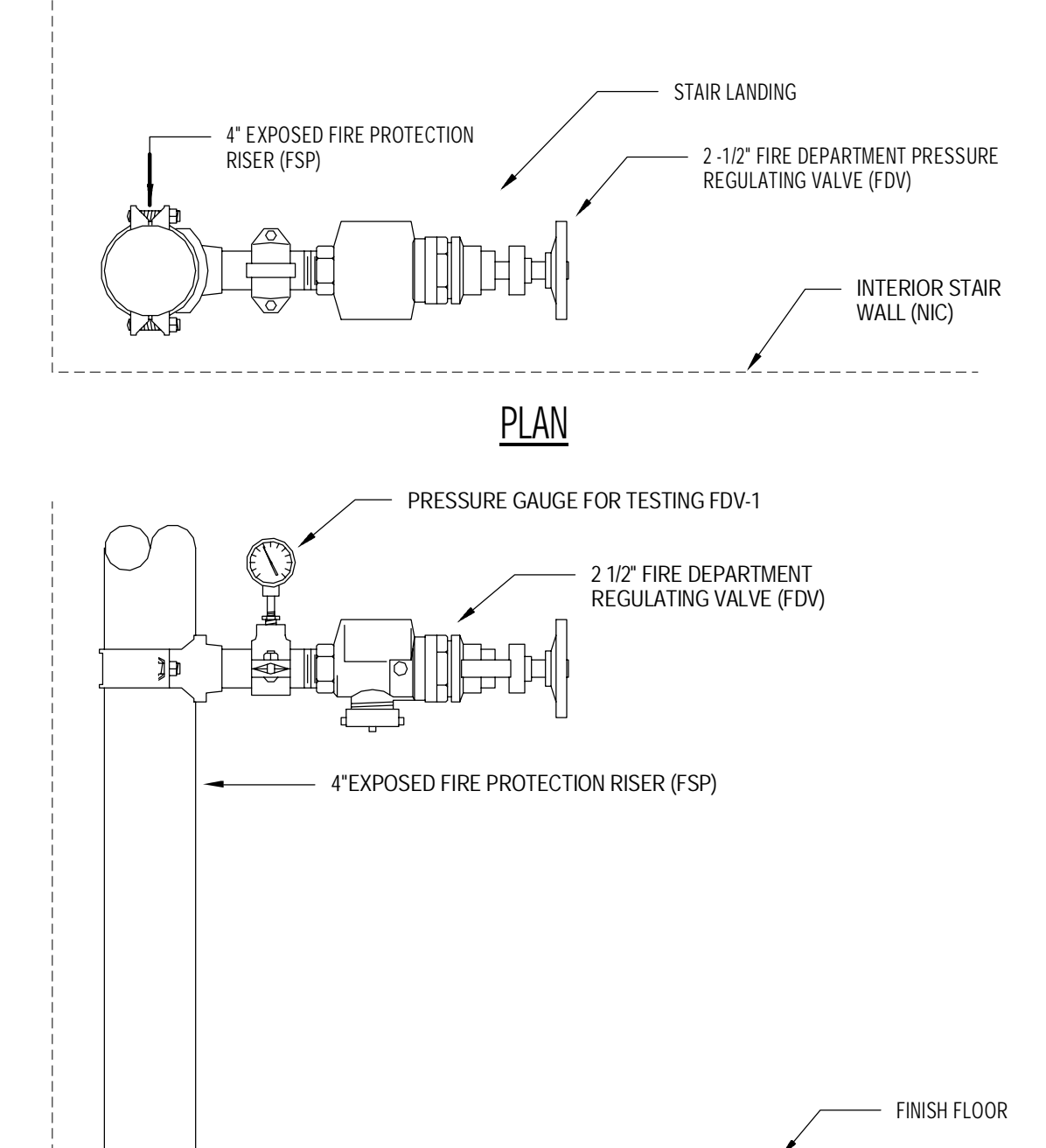
PERMIT SET	03.28.16	
PERMIT SET	03.08.16	
DESIGN DEVELOPMENT	08.25.17	
NO.	ISSUE	DATE
Job Number	B150311-000	
Drawn	DTM	
Checked	PJR	
Approved	PJR	



① PIPE SLEEVE THROUGH FLOOR SLAB  
SCALE: 1/8" = 1'-0"



② FIRE DEPARTMENT CONNECTION PIT  
SCALE: 1/8" = 1'-0"



③ EXPOSED FIRE PROTECTION RISER WITH FDV  
SCALE: 1/8" = 1'-0"