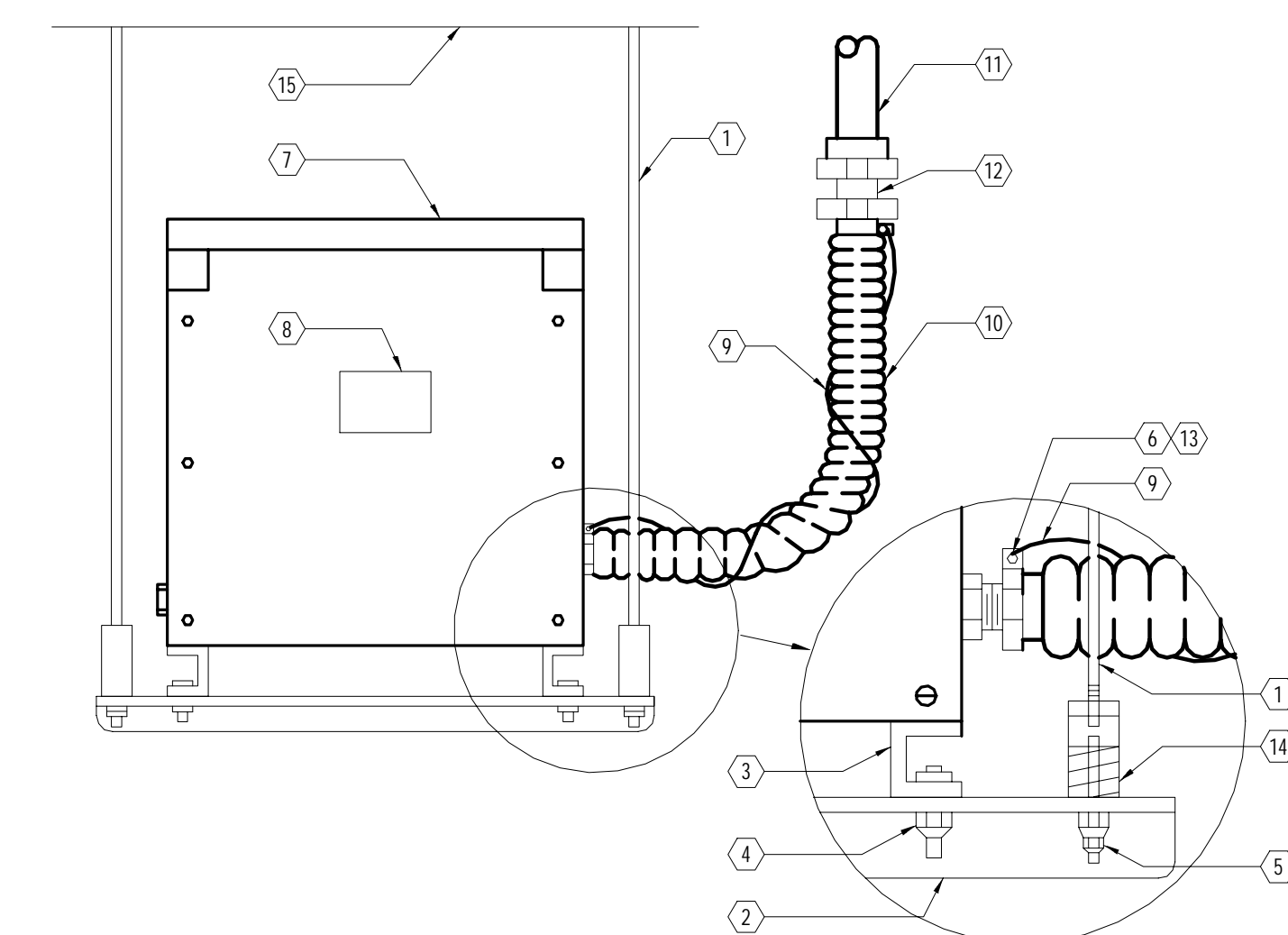
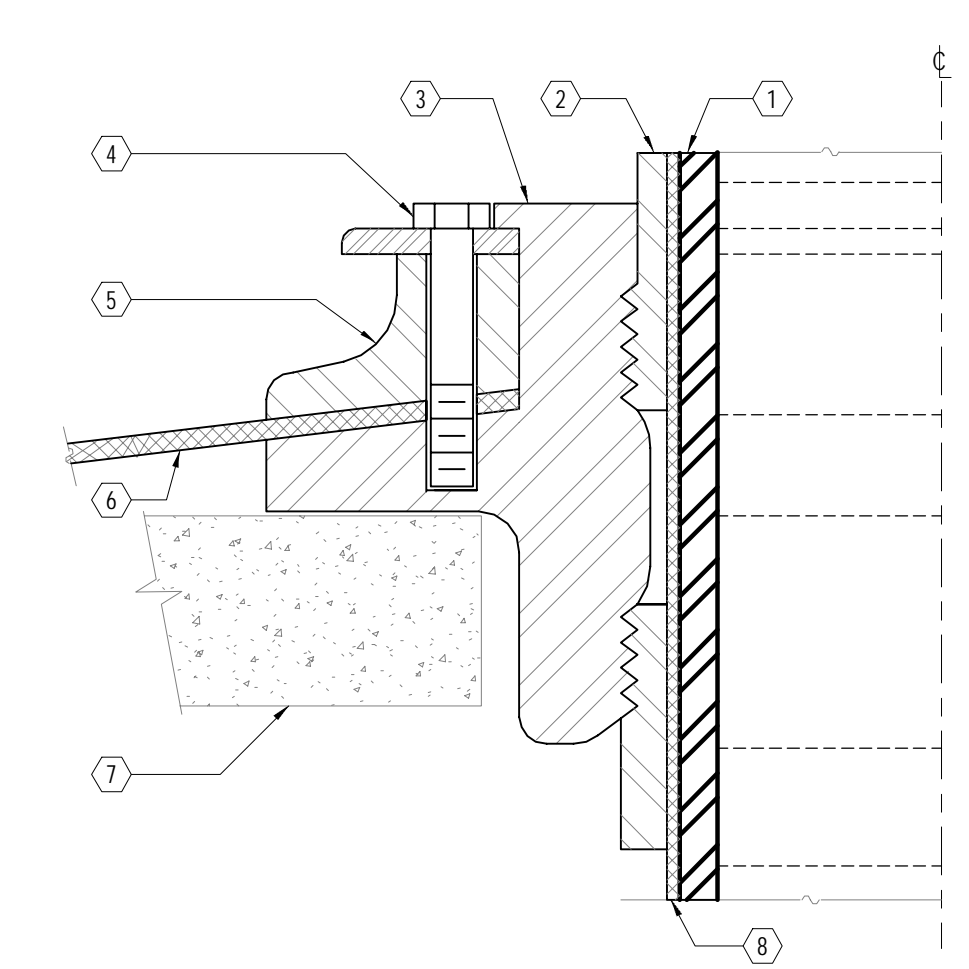


PERMIT SET	03.08.16	
1 - ADDENDUM #1	12.05.17	
DESIGN DEVELOPMENT	08.25.17	
NO.	ISSUE	DATE
Job Number	B150311-000	
Drawn	BC	
Checked	JAM	
Approved	MR	



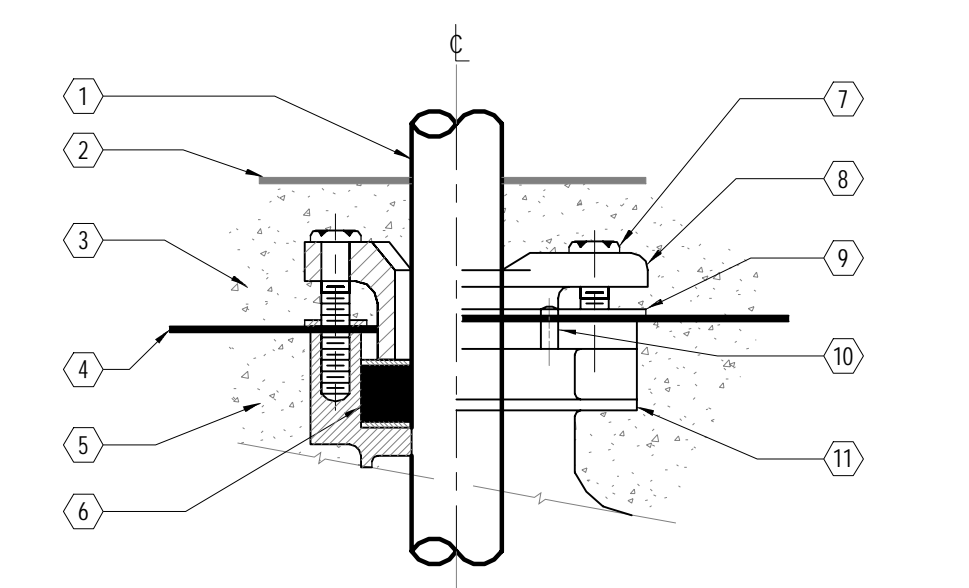
- NOTES:
- 1/2" THREADED STEEL ROD SUPPORT FROM STRUCTURE ABOVE
  - 3/4" ANGLE IRON SUPPORT - LENGTH TO SUIT - 2 REQUIRED
  - TRANSFORMER BASE CHANNEL
  - 1/2" NUT, BOLT & LOCKWASHER 4 REQUIRED
  - 1/2" NUT LOCKOUT & LOCKWASHER 4 REQUIRED
  - SECONDARY CONNECTION DETAIL (PRIMARY - SIMILAR)
  - TRANSFORMER - MOUNT BOTTOM SUPPORTS 6-6" A.F.F. (MIN)
  - NAMERPLATE - CONNECTION DIAGRAM TO FACE CLOSEST ENTRANCE
  - EXTERNAL COPPER BONDING WIRE
  - LIQUIDTIGHT FLEXIBLE METAL CONDUIT - 1/2" MIN.
  - FEEDER CONDUIT
  - COMBINATION COUPLING
  - GROUND CONNECTOR
  - VIBRATION ELIMINATOR (NEOPRENE PAD) 4 REQUIRED
  - PROVIDE MISCELLANEOUS STEEL AS REQUIRED TO CONN. TO STRUCTURE

**1 TRANSFORMER SUSPENSION**  
SCALE: NONE



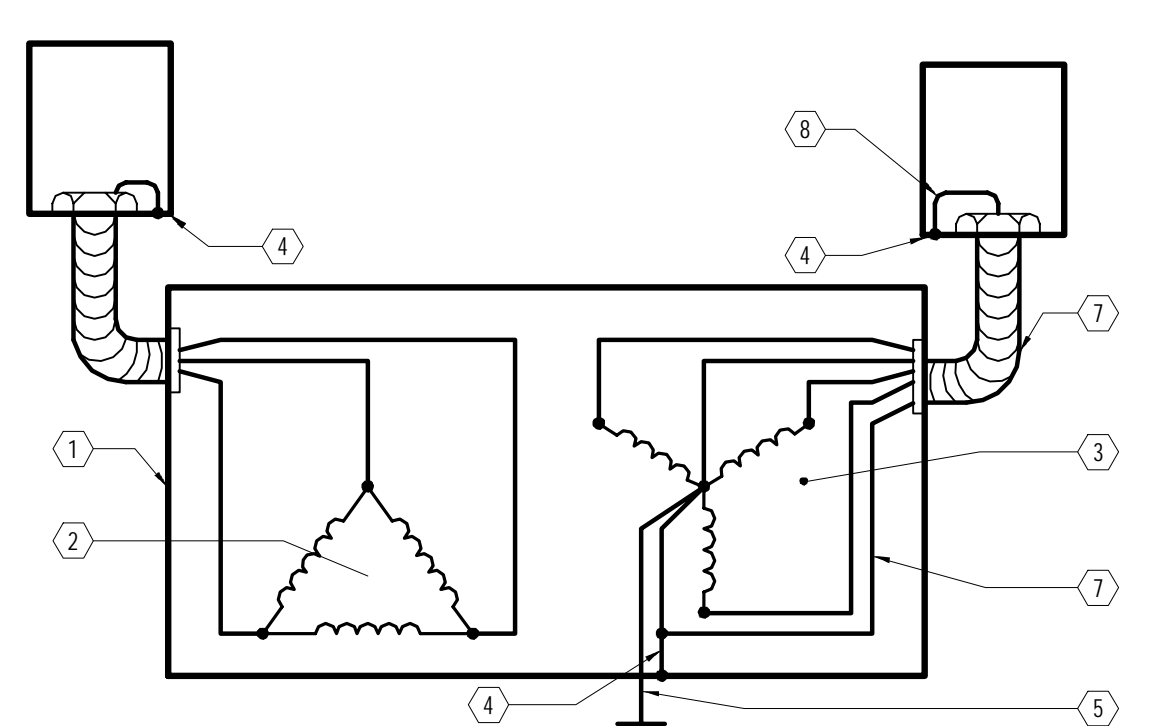
- NOTES:
- RIGID STEEL CONDUIT
  - THREADED SLEEVE
  - CAST IRON SLEEVE
  - STEEL BOLT
  - PRESSURE AND CLAMPING RINGS
  - FLASHING OR ROOFING
  - ROOF STRUCTURE
  - CAULKING/PACKING

**2 ROOF SLEEVE-THREADED WATERTIGHT**  
SCALE: NONE



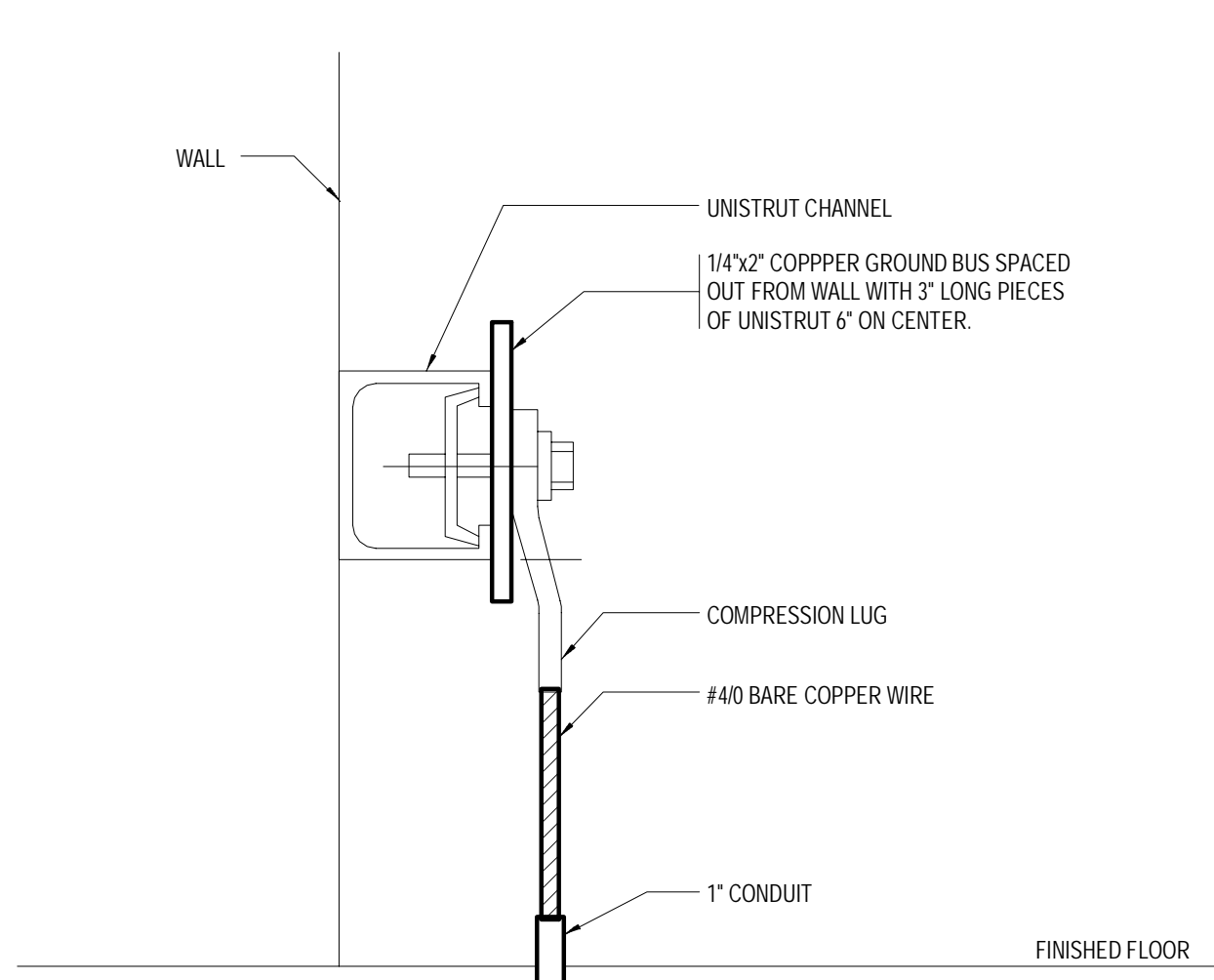
- NOTES:
- RIGID STEEL CONDUIT
  - FLOOR FINISH
  - CONCRETE FILL
  - WATERPROOF MEMBRANE
  - STRUCTURAL SLAB
  - SEALING GROMMET
  - PRESSURE CLAMP BOLT
  - PRESSURE CLAMP
  - MEMBRANE CLAMP RING
  - MEMBRANE CLAMP SCREW
  - CAST IRON BODY

**4 FLOOR SLEEVE-PRESET WATERTIGHT**  
SCALE: NONE

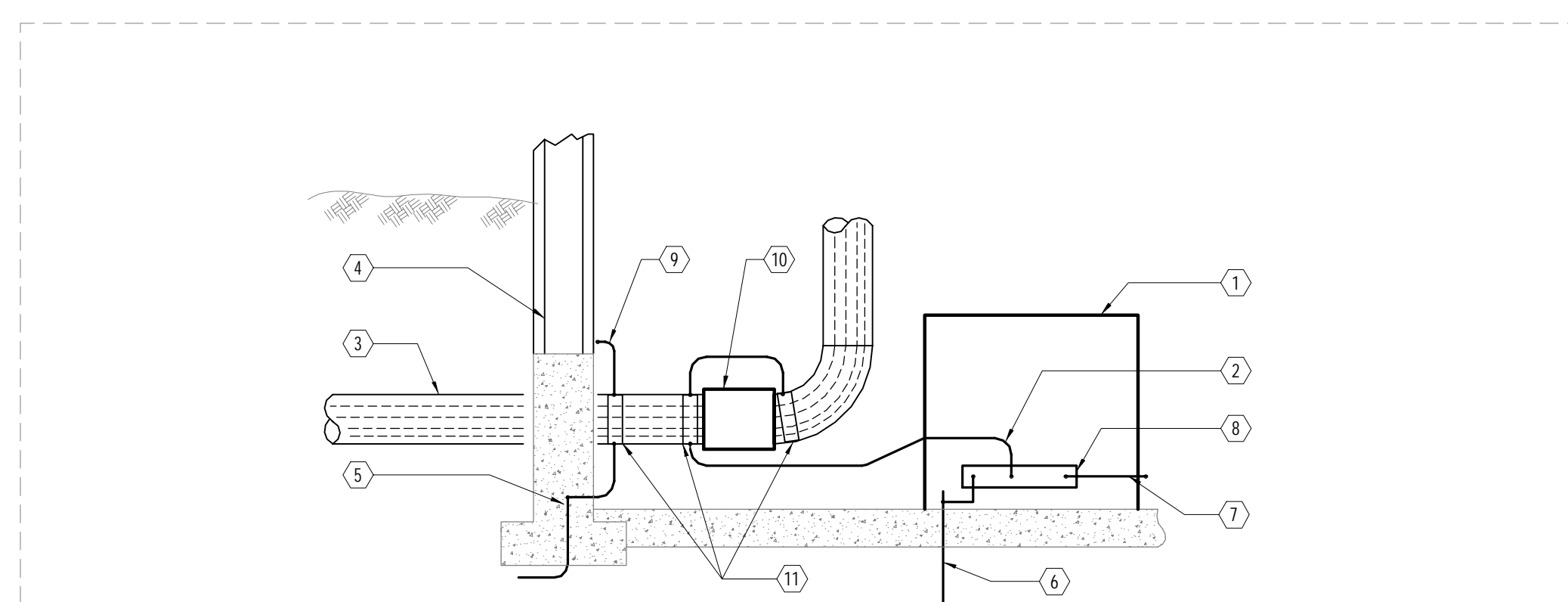


- NOTES:
- ENCLOSURE
  - PRIMARY WINDING
  - SECONDARY WINDING
  - BOND TO ENCLOSURE
  - GROUNDING ELECTRODE CONDUCTOR
  - GROUNDING ELECTRODE
  - FLEXIBLE CONDUIT WITH GROUNDING CONDUCTOR
  - GROUNDING ELECTRODE CONDUCTOR

**7 TRANSFORMER GROUNDING**  
SCALE: 1:1



**5 GROUND BUS MOUNTING**  
SCALE: 1:1



- NOTES:
- SERVICE EQUIPMENT ENCLOSURE
  - GROUNDING ELECTRODE CONDUCTOR
  - COLD WATER GROUNDING ELECTRODE (E.G. METAL PIPE)
  - GROUNDING ELECTRODE (BUILDING STEEL)
  - GROUNDING ELECTRODE (IRC BARS AT BOTTOM OF FOOTING)
  - GROUNDING ELECTRODE (RODS)
  - BOND TO ENCLOSURE (NEUTRAL DISCONNECT LINK IN NYC)
  - NEUTRAL BUS
  - BONDING JUMPER
  - WATER METER WITH JUMPER
  - BRONZE CLAMP (ONE PER JUMPER CABLE)

**6 GROUNDING ELECTRODE STEEL BUILDINGS**  
SCALE: 1:1