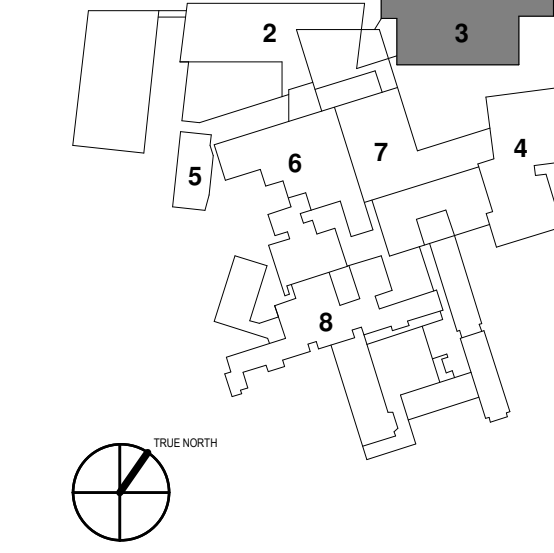


- 1 - NOT USED
- 2 - CONGRESS STREET
- 3 - VISITOR GARAGE
- 4 - EAST TOWER
- 5 - CENTRAL UTILITY PLANT
- 6 - BEAN BUILDING
- 7 - RICHARDS BUILDING
- 8 - MAINE GENERAL BUILDING



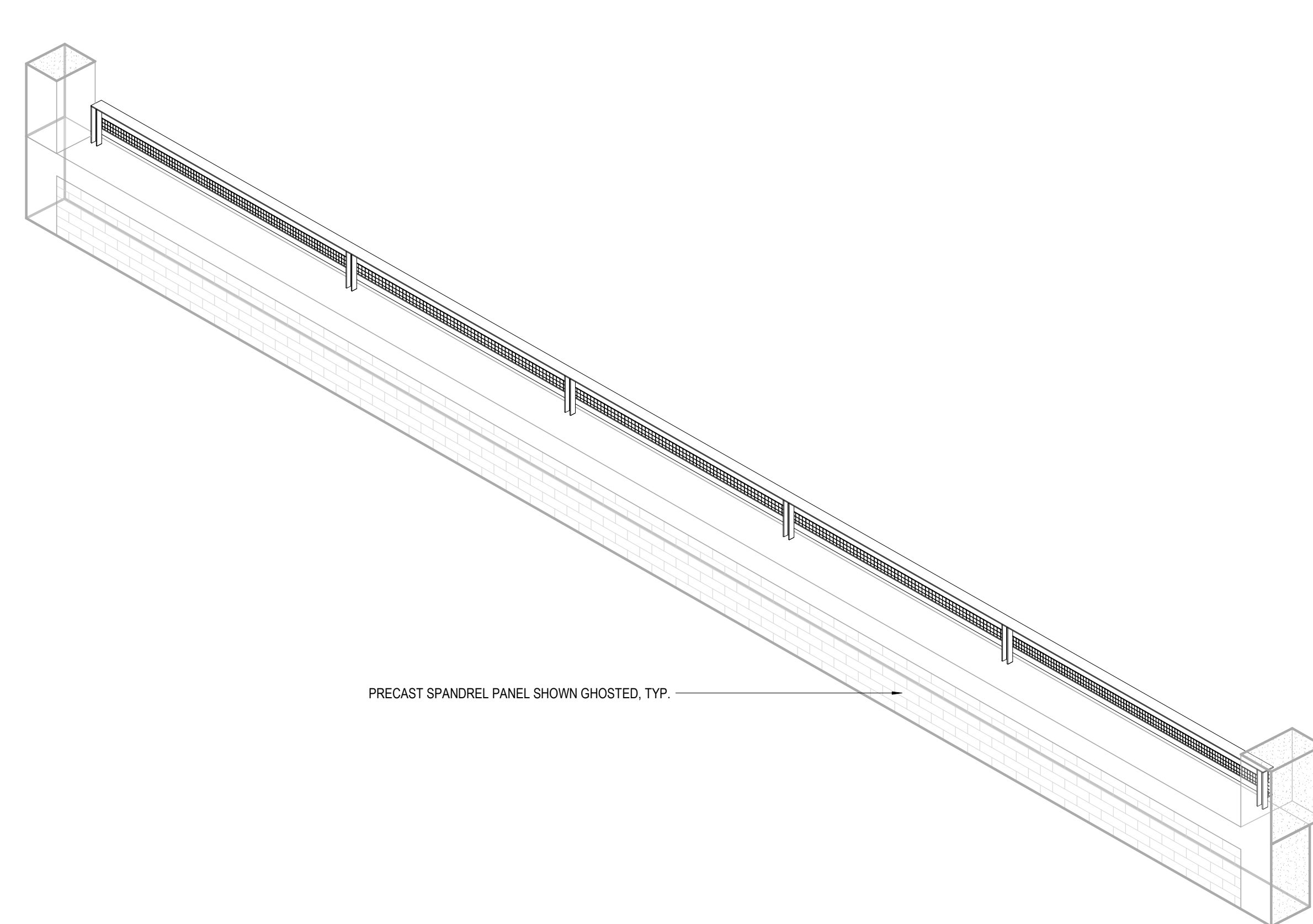
NO.	ISSUE	DATE
PERMIT SET		03.09.18
3	ADDENDUM #3	02.27.18
2	ADDENDUM #2	01.09.18
1	ADDENDUM #1	12.05.17
NO.	ISSUE	DATE
Job Number	152182-000	
Drawn	TEAM	
Checked	DSRS	
Approved	JK	

METAL RAILING & SPANDREL LEGEND

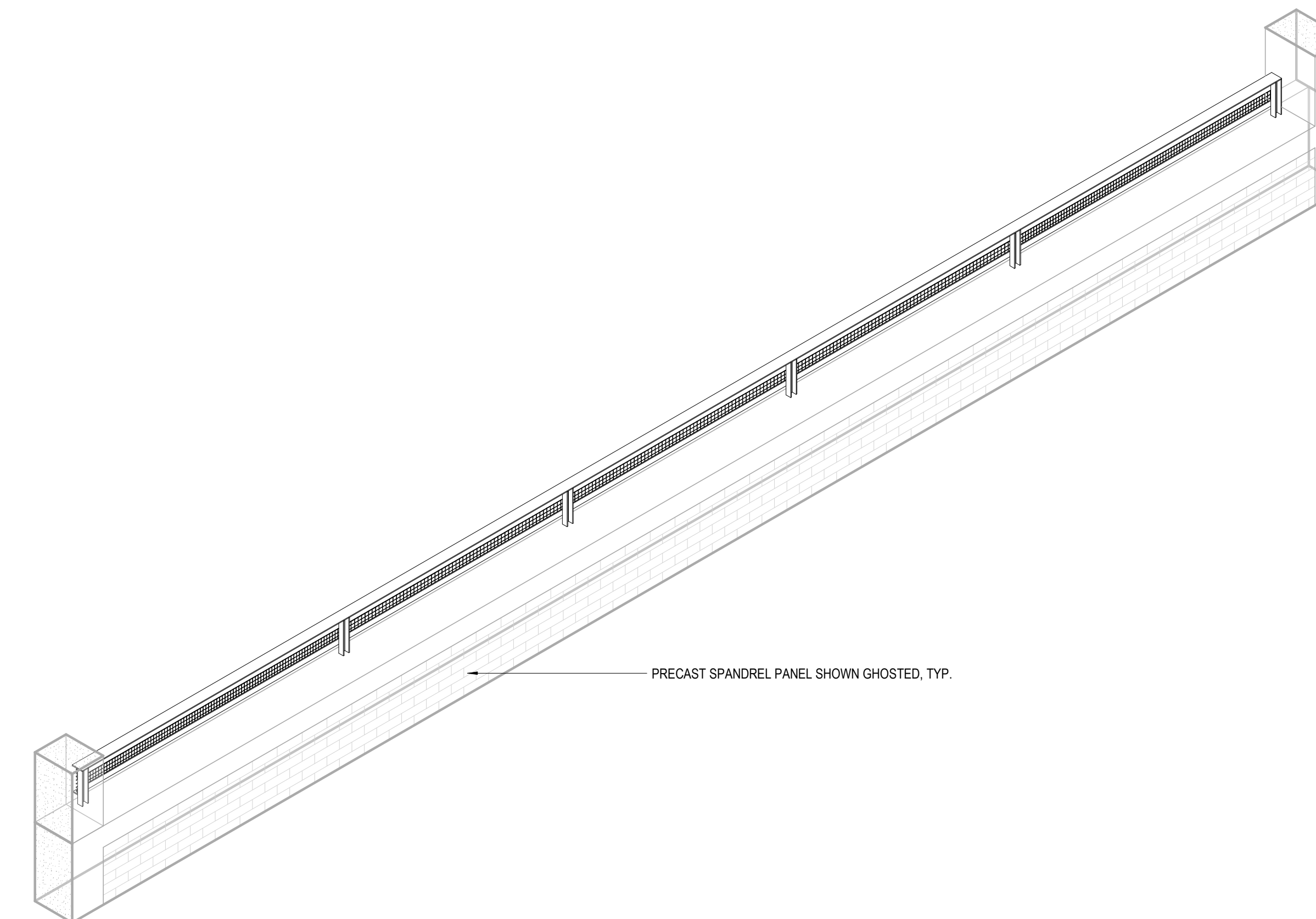
MATCH ALL ASPECTS OF METAL RAILINGS & PRECAST SPANDREL INCLUDING:

COLOR, SHEEN, FINISH, ATTACHMENT DETAILS, HARDWARE ETC.

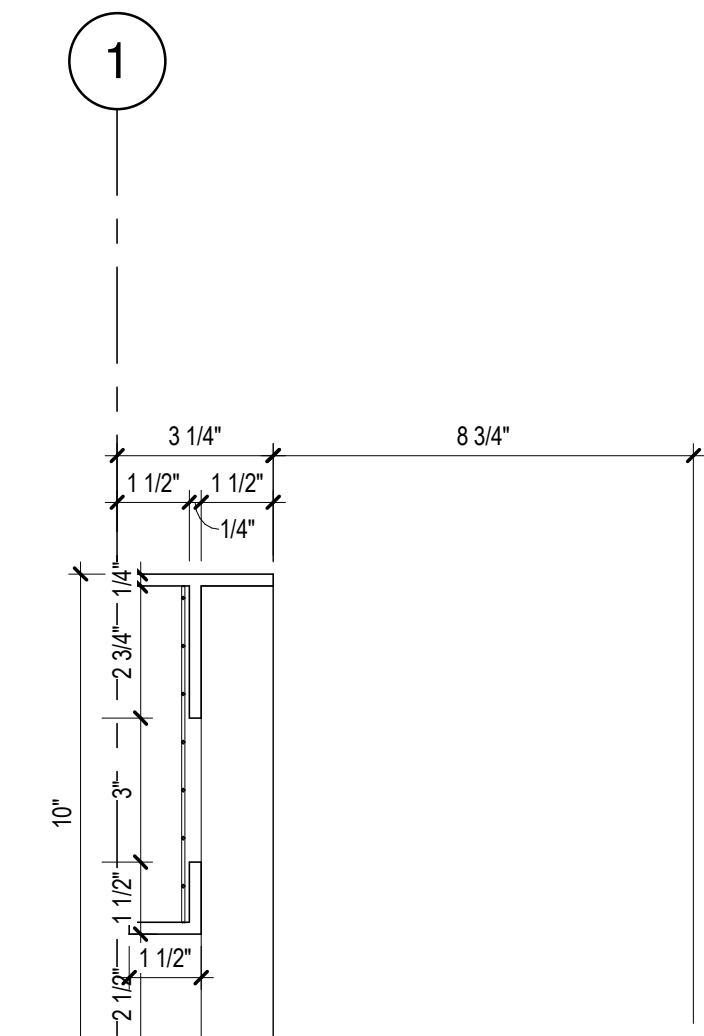
FIELD VERIFY ANY DETAILS NOT LISTED AND DUPLICATE



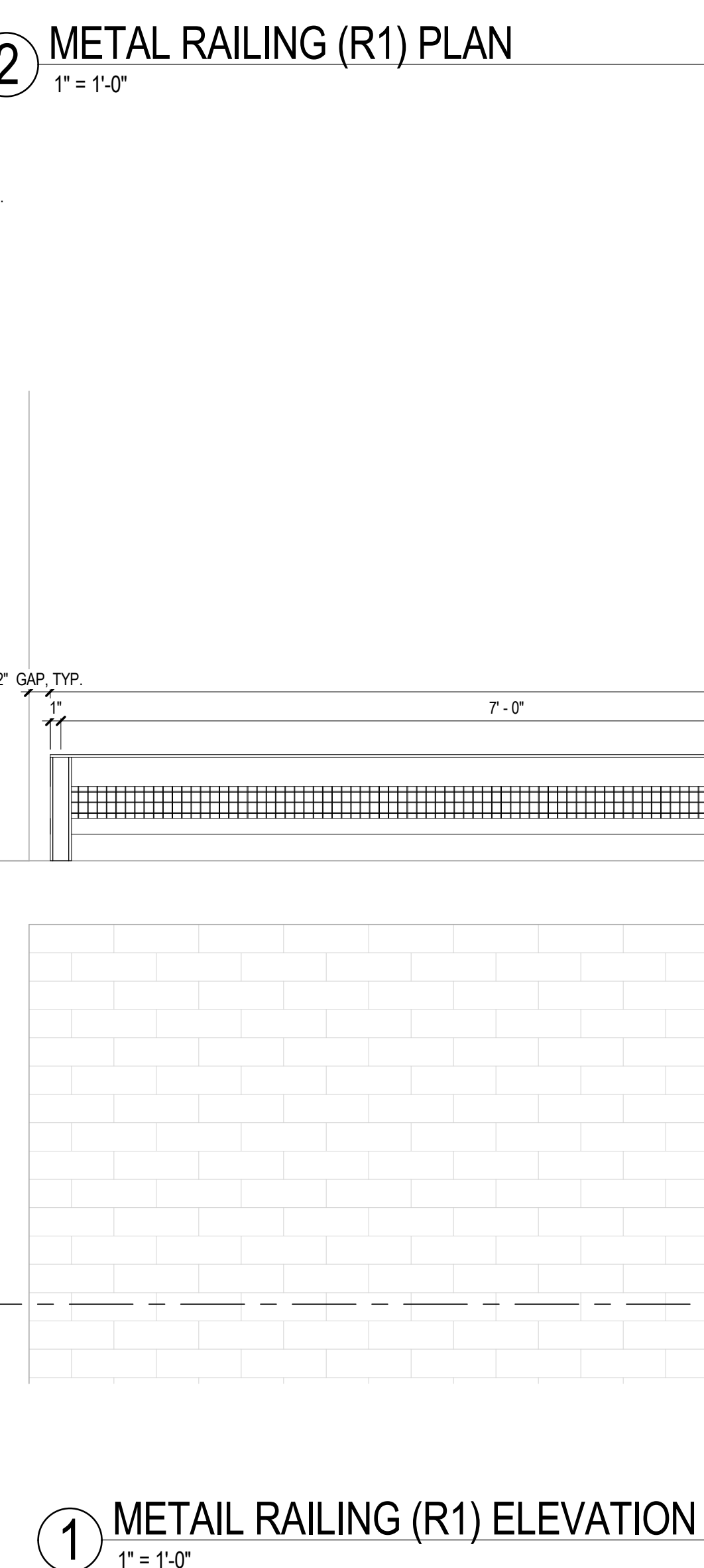
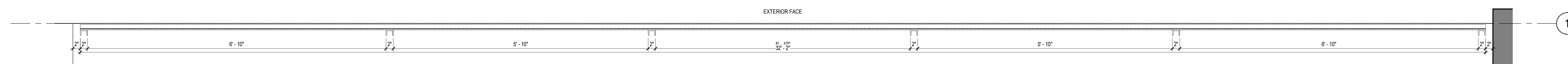
④ METAL RAILING (R1) EXTERIOR AXONOMETRIC



③ METAL RAILING (R1) INTERIOR AXONOMETRIC



② METAL RAILING (R1) PLAN
1" = 1'-0"



① METAL RAILING (R1) ELEVATION
1" = 1'-0"

⑤ METAL RAILING (R1) SECTION
3" = 1'-0"