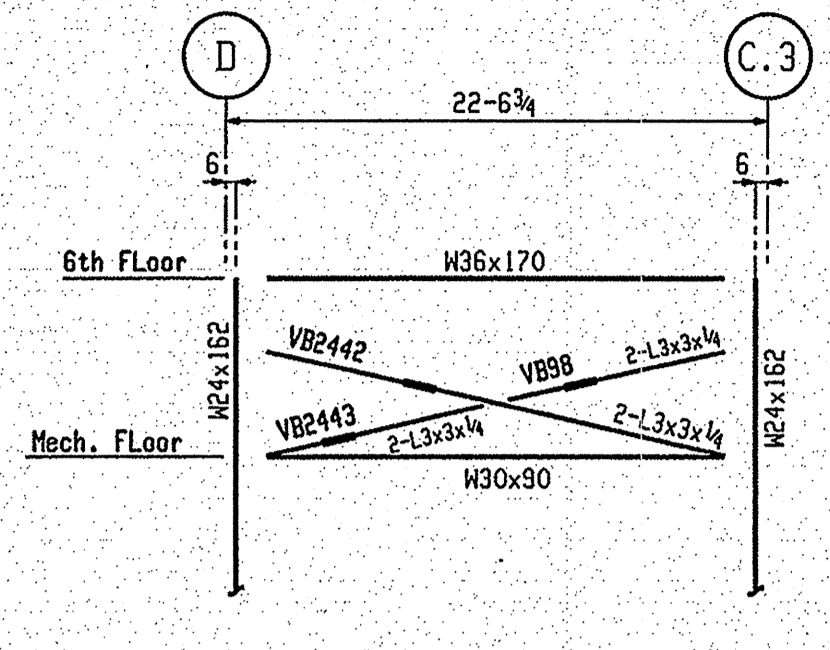
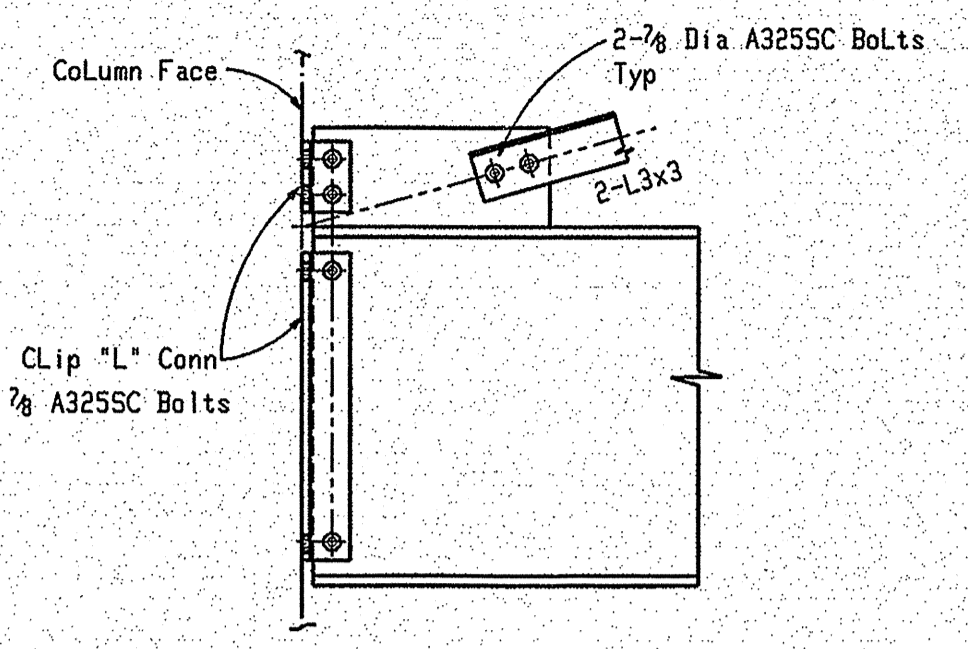


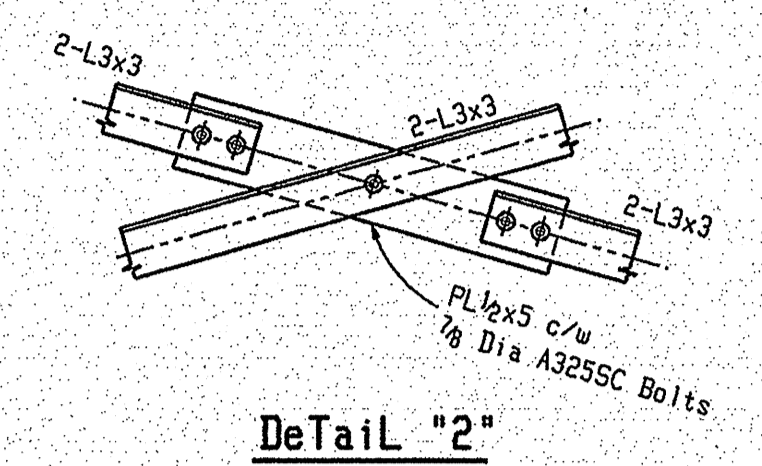
Brace Elevation Line (C.3)



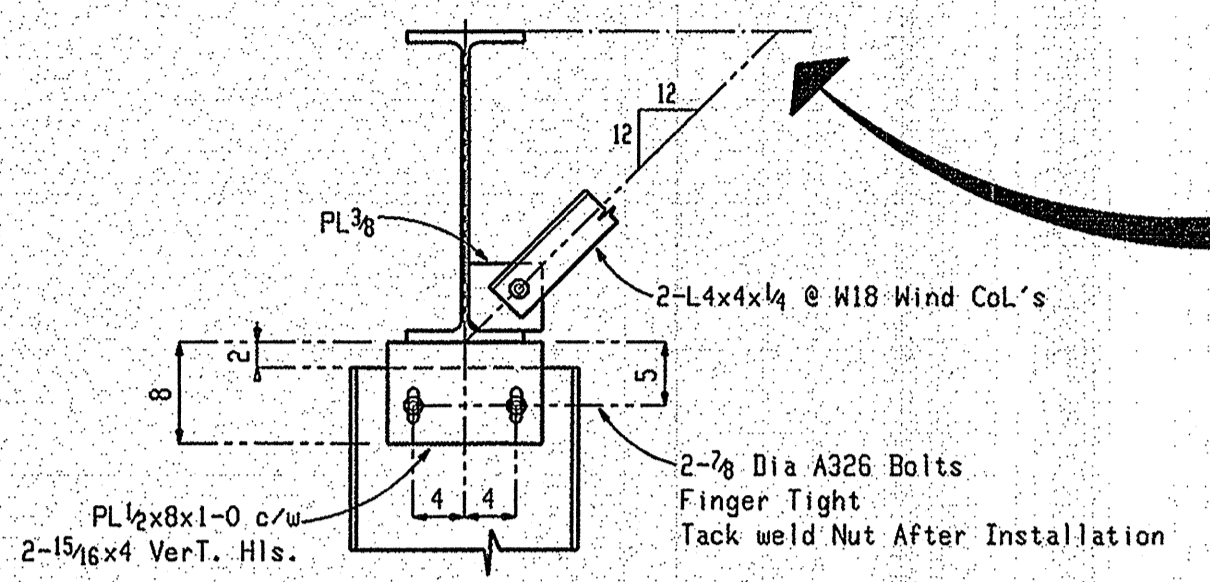
Brace Elevation Lines (5, 6.5)



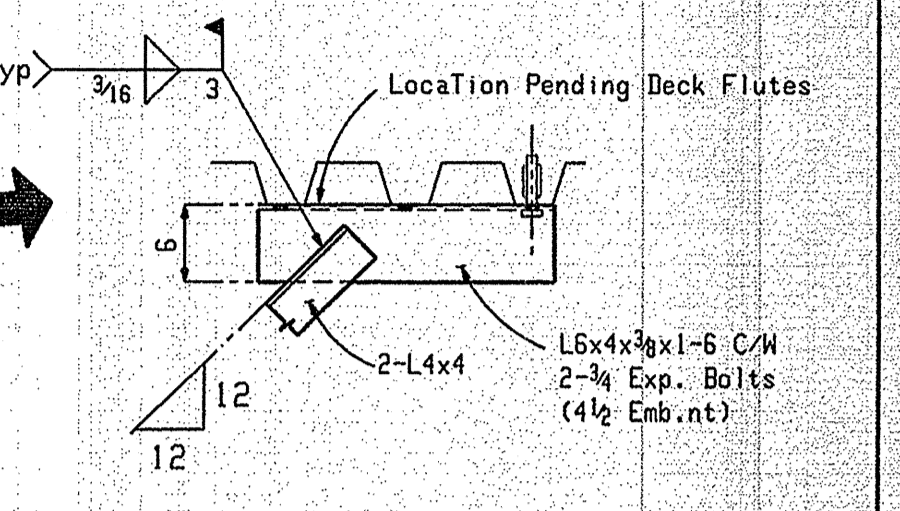
Detail "1"



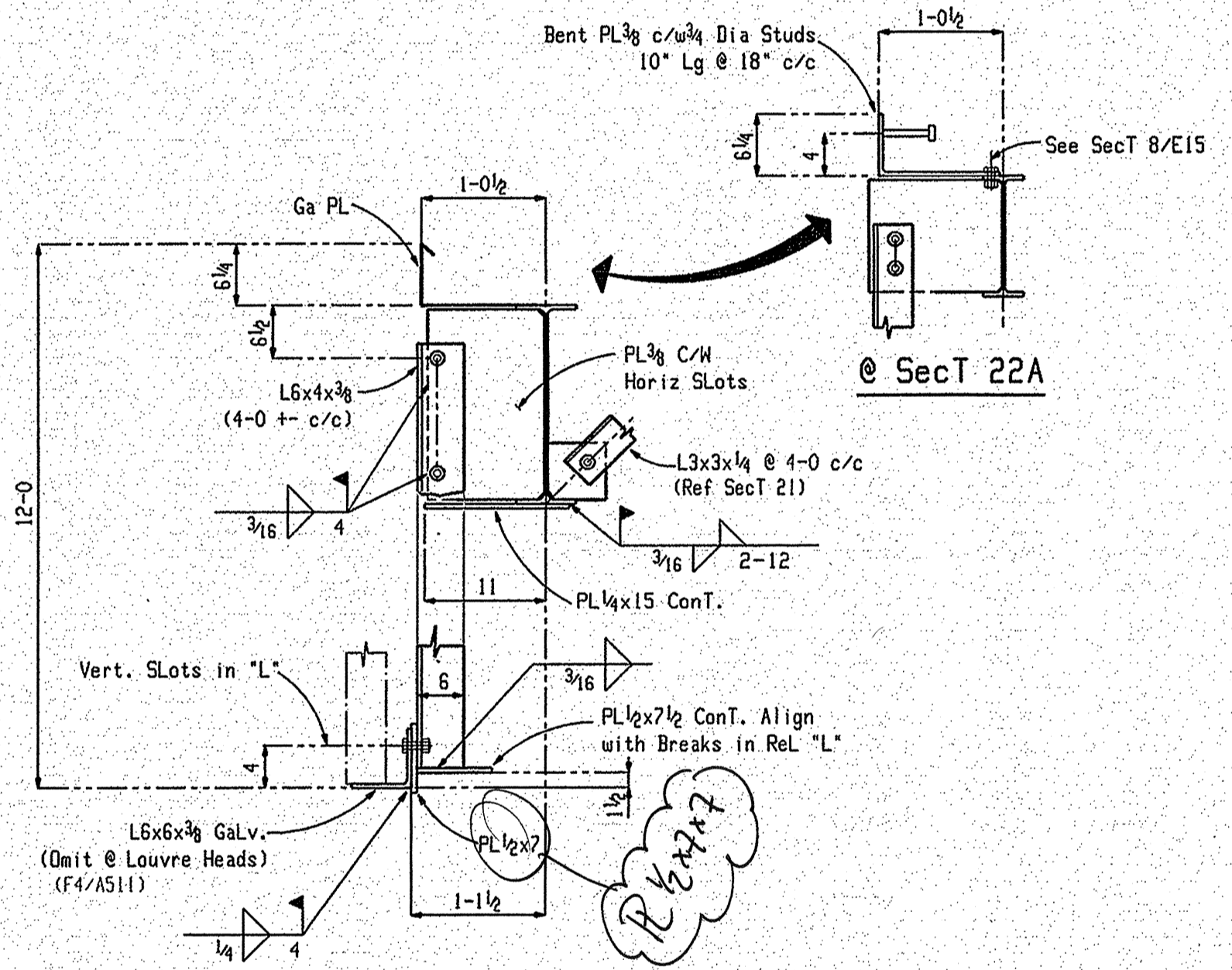
Detail "2"



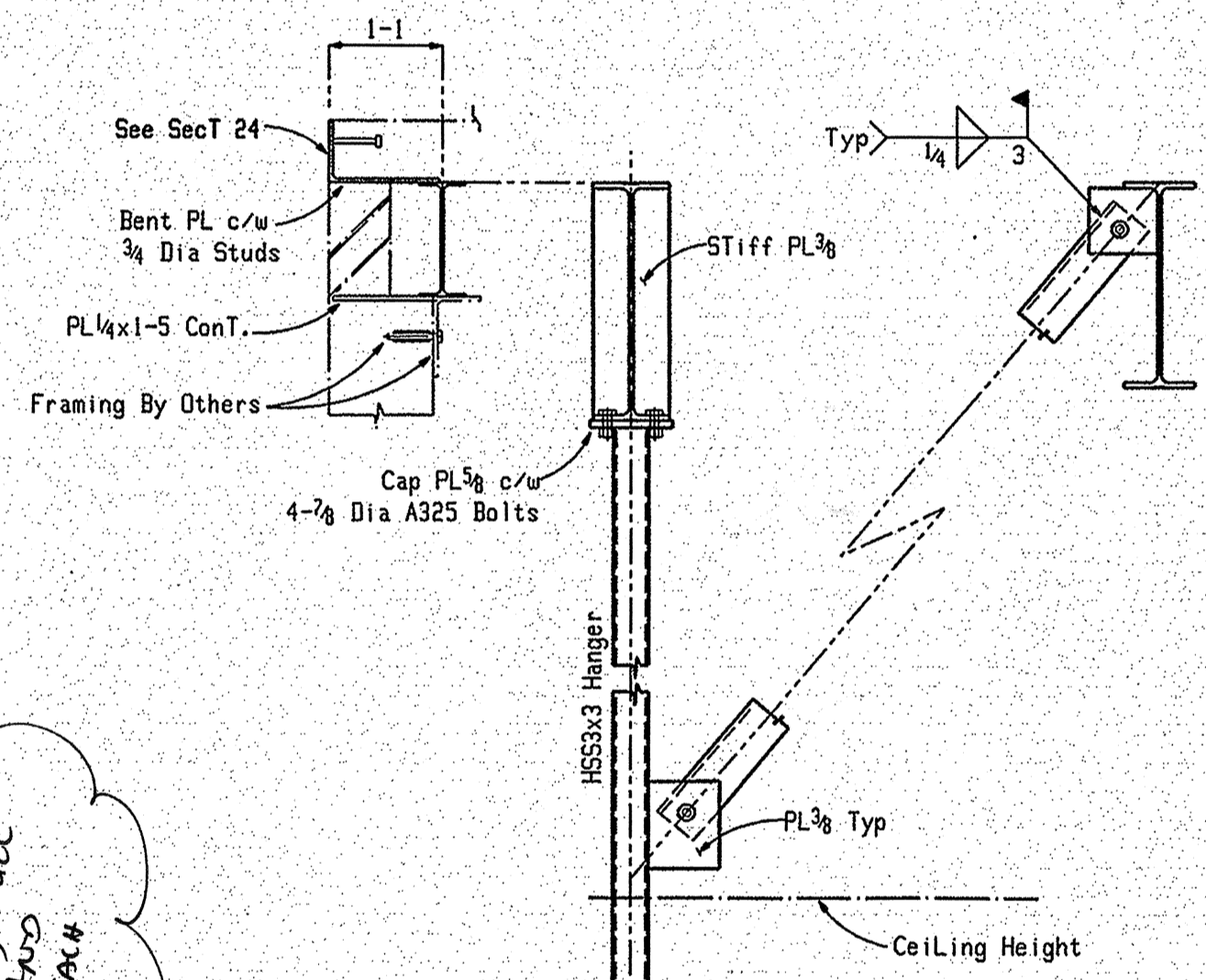
Section (21) E13



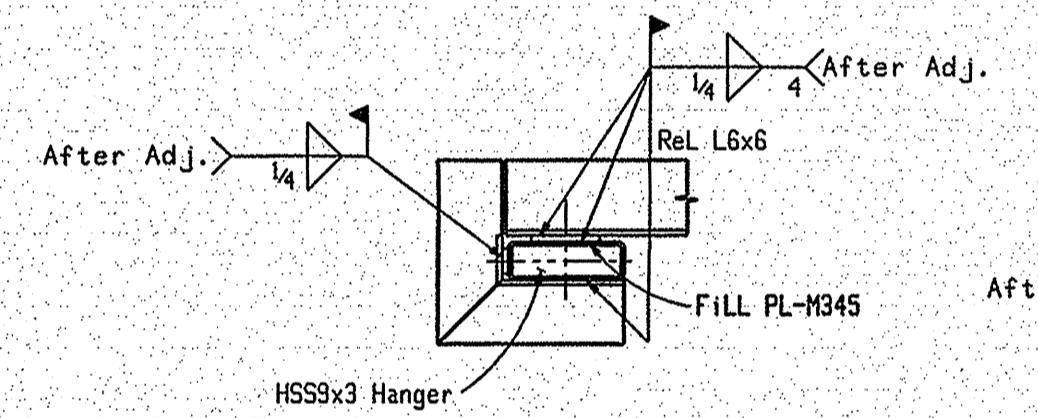
Condition @ Deck (Sim'l @ Change in Deck Direction)



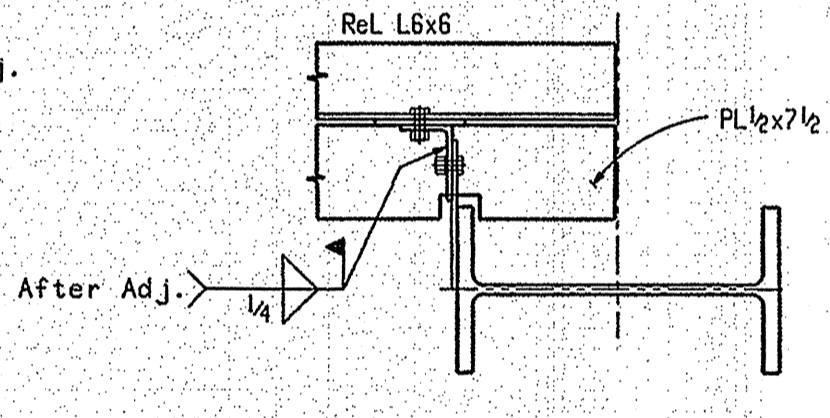
Section (22) E13 (22) (22A)



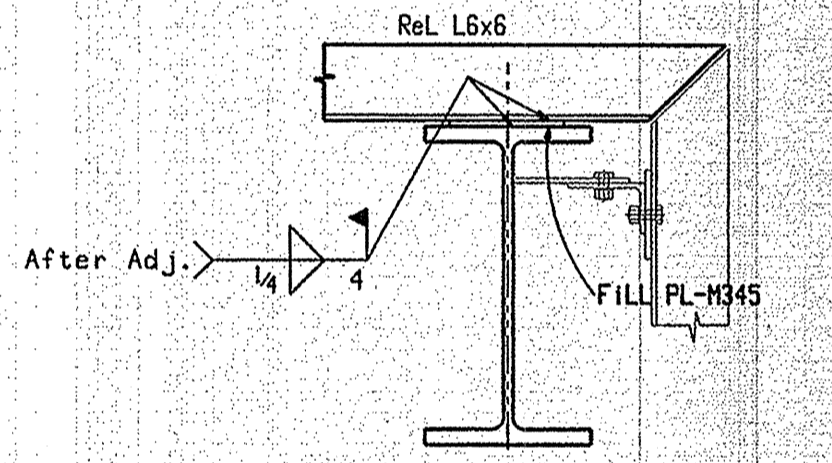
Section (E8) (23)



Detail @ HSS9x3 Hangers

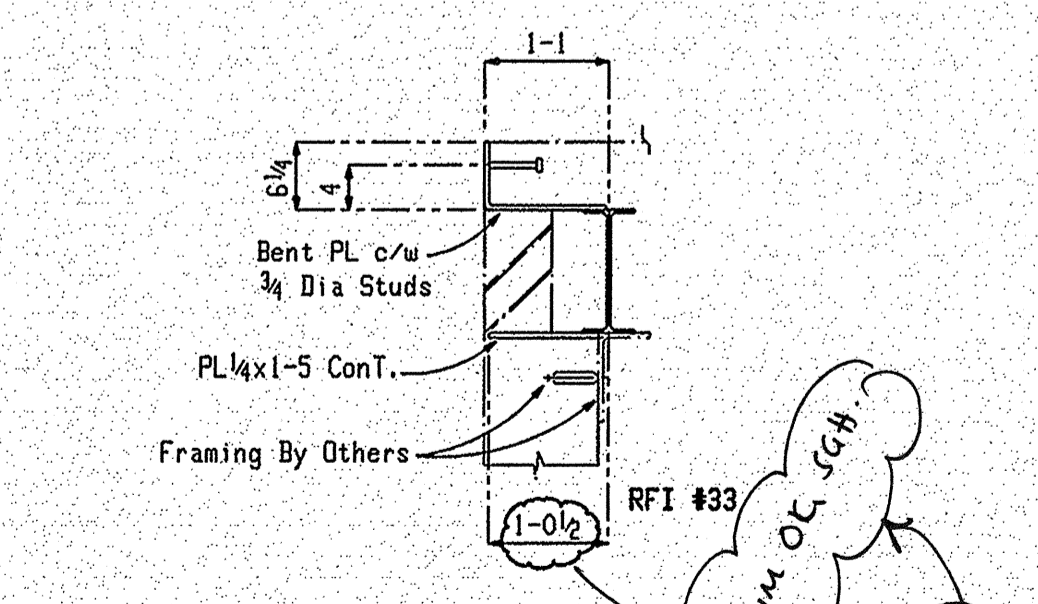


Detail @ Column

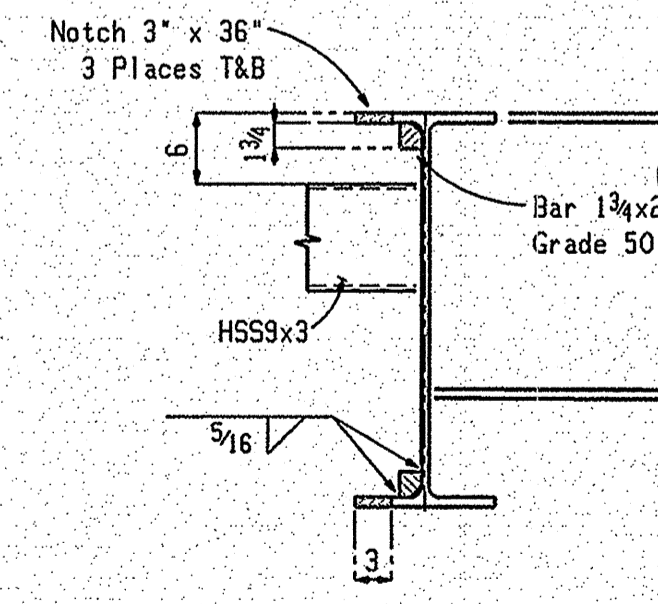


Detail @ Corner Column

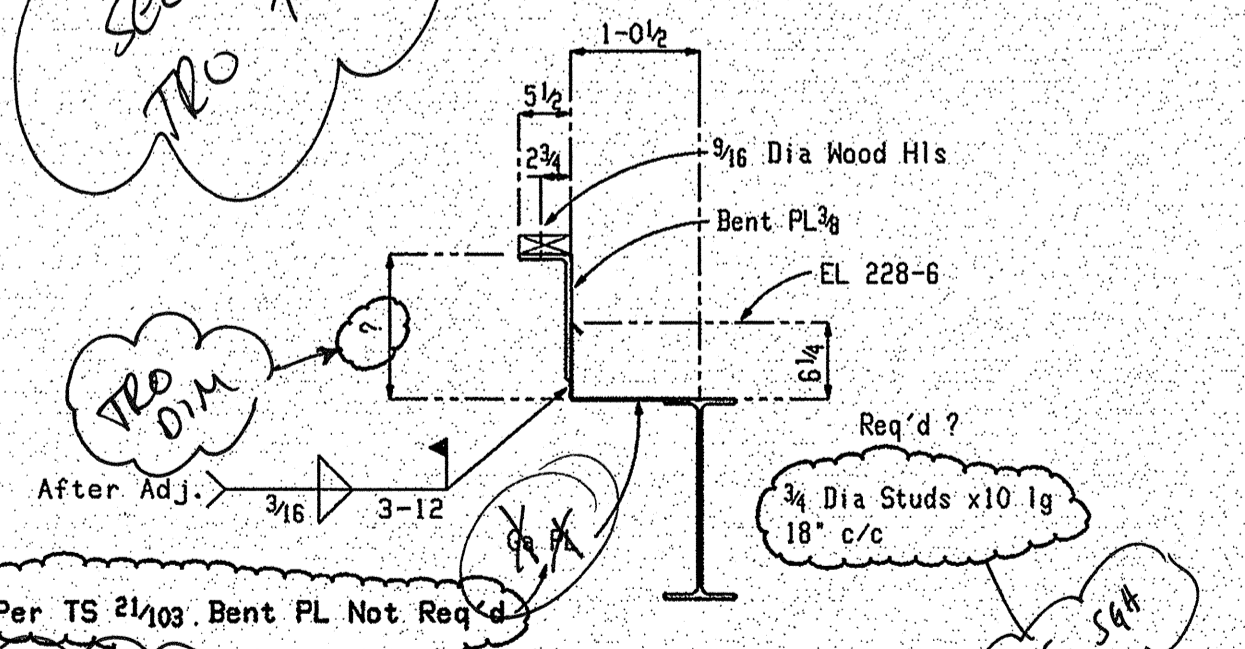
Additional Field Welding Relieving Angle Details



Section (E9, E10, E11) (24)



Section (E11) (25)



Section (26)

PER RFI #33, SKS-02 BAR EXTEND (CONT.) FULL LENGTH OF BEAM AND STOP 2" FROM END OF BEAM

SEE DETAIL F1/AS11 TO PROVIDE EXTENT ON ROW PLAN E13

PLEASE DIM OR COPY TO CORNER

NO / MUST USE 3/8" BAR PER RFI #33 IF ADD L1 BAR TO BE ADDED TO END OF BEAM

YES SK

WILLIAM A. BERRY & SON, INC.
REVIEWED IN ACCORDANCE WITH THE CONTRACT DOCUMENTS.
THE SUBCONTRACTOR/VENDOR IS RESPONSIBLE FOR ALL DIMENSIONS, CORRECT FIT AND COORDINATION OF ALL ITEMS TO BE FURNISHED & INSTALLED.
BY: MJC DATE: 05-03-06
JOB #: 04-316-D JOB NAME: MCC-CORWLES BT.
SUBMISSION #: 0511-0022-2
SPEC./ORIG. REF.
REVIEWED FOR CONSTRUCTION

RECEIVED
AUG 14 2006
Simpson Gumpertz & Heger
Consulting Engineers Inc.

FOR APPROVAL
JUL 31 2006

APPROVED NOT APPROVE
 APPROVED AS CORRECTED
 REVISE AND RESUBMIT
 RESUBMIT FOR RECORD COPY
Checking is only for conformance with the design concept of the project and compliance with the information given in the Contract Documents. Contractor is responsible for dimensions to be confirmed and correlated at the job site; for information that pertains solely to the fabrication process or to techniques of construction; and to coordination of the work of all trades.
BY: MJC
DATE: 7/29/06
SIMPSON GUMPERTZ & HEGER INC.
CONSULTING ENGINEERS
41 SEYON ST., BUILDING 1, SUITE 500
WALTHAM, MA 02453

Revisions			
No.	Date	Description	
1	31-07-06	UPDATED TO SUIT APPROVAL	

		250 Ocean Road Greenland, NH 03840	
Project	Maine Medical Center	Date	03/06
Description	Sections & Details	Drawn By	
Architect	TRG	Chk By	M.J.L.
Engineer	Simpson Gumpertz & Heger Inc.	Job No.	316
Customer	William Berry & Son Inc.	Sht. No.	E17