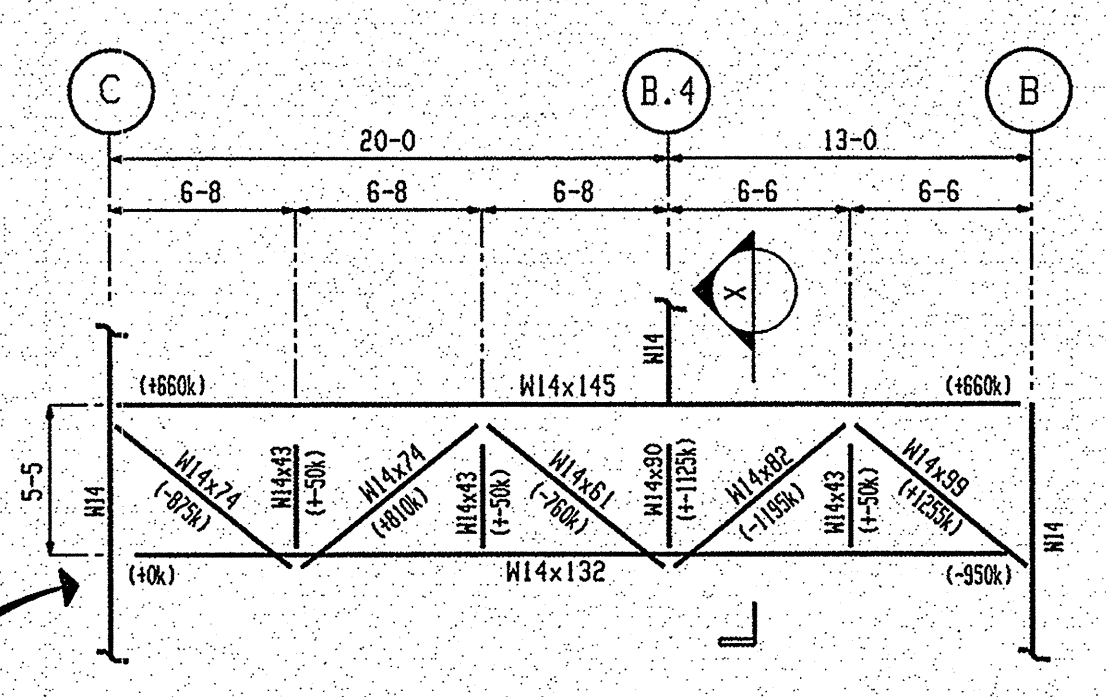
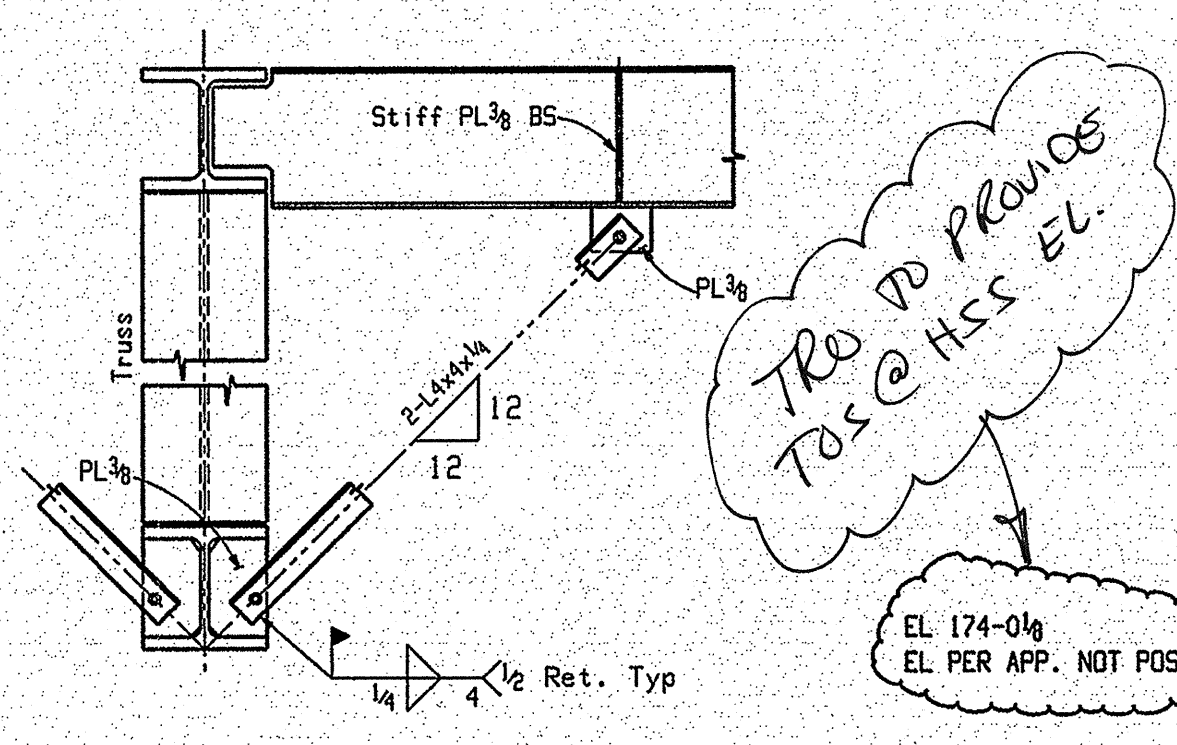


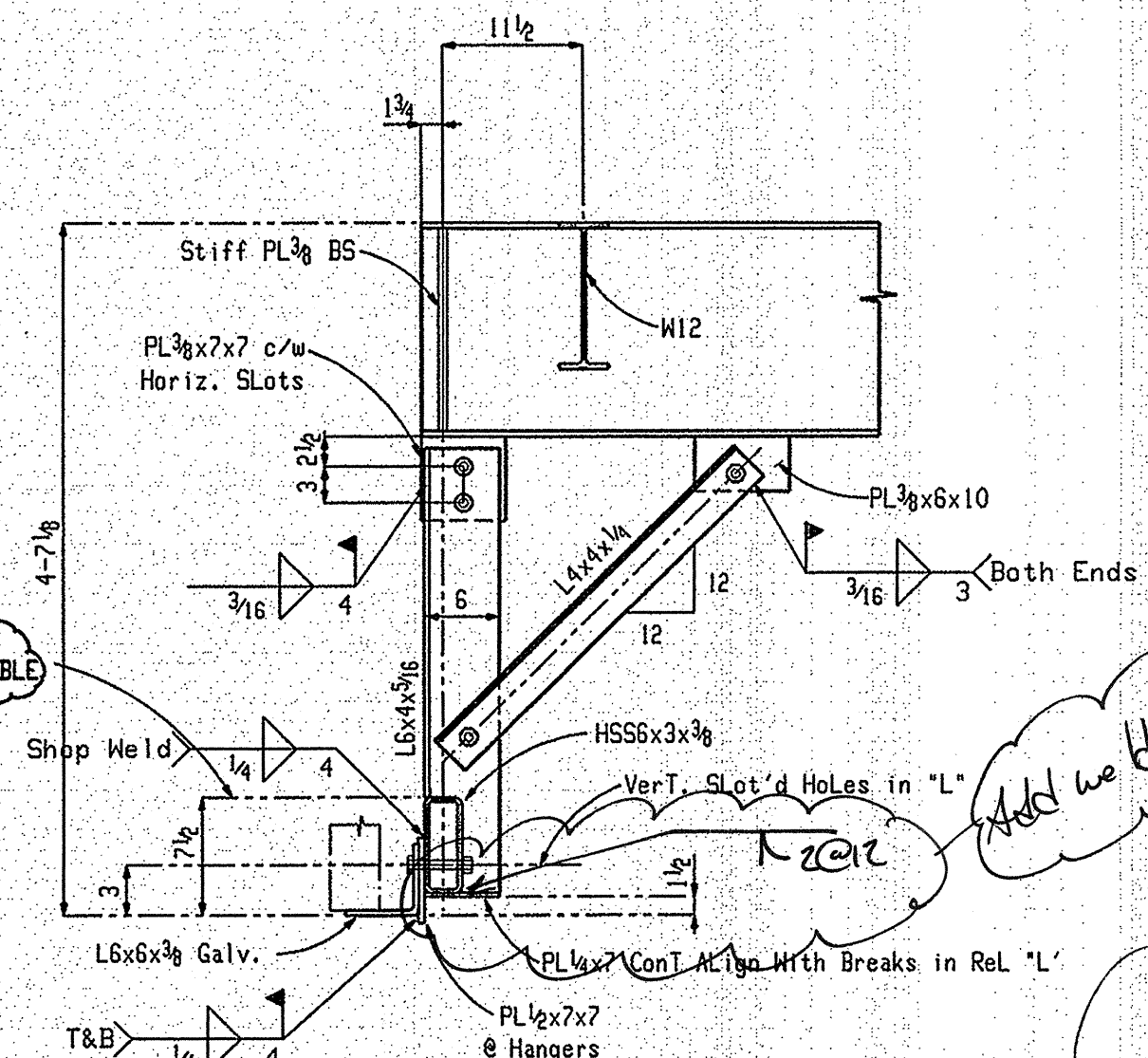
Truss Elevation On Lines 8 & 9



Truss Elevation On Line 2

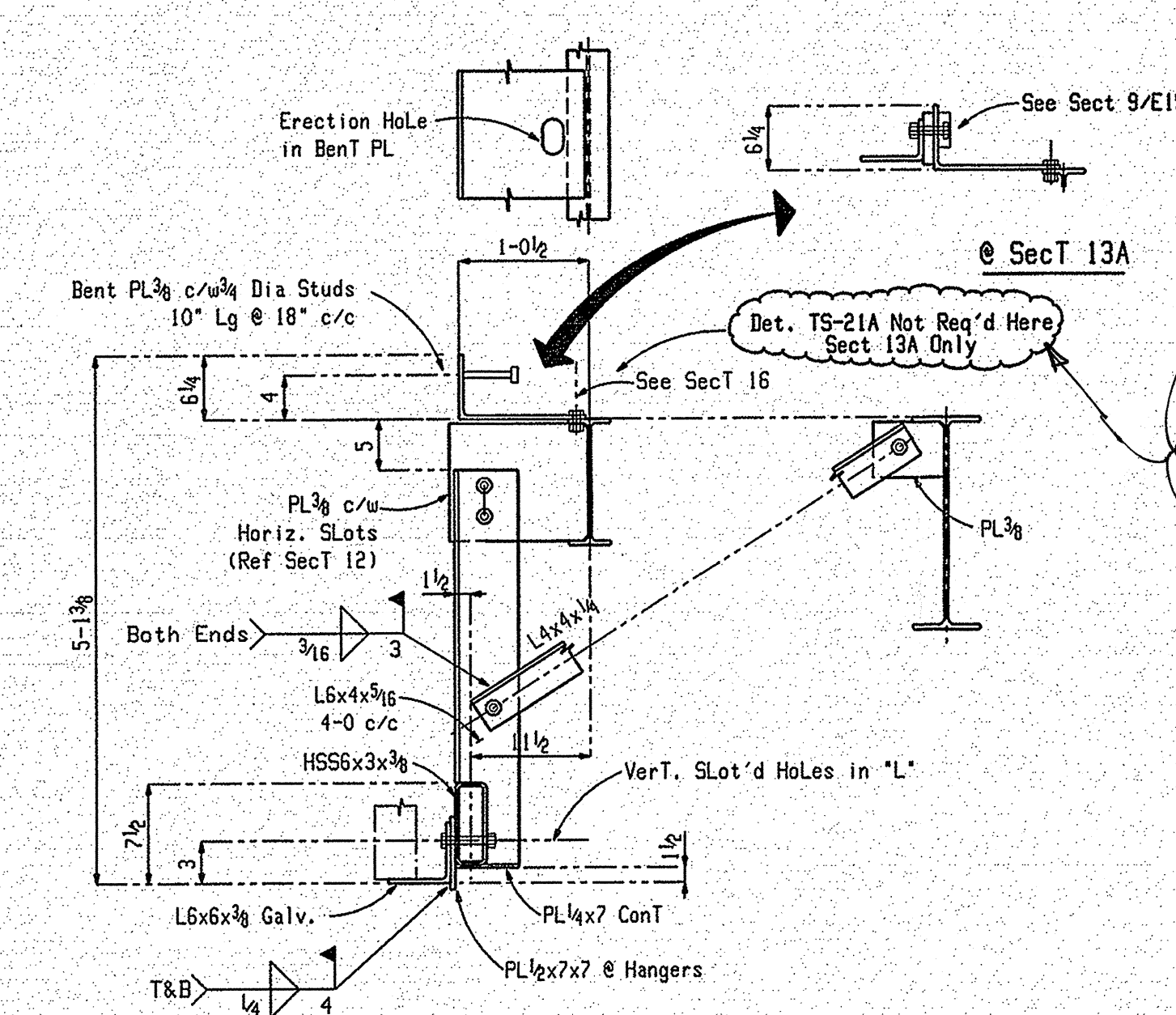


Section X



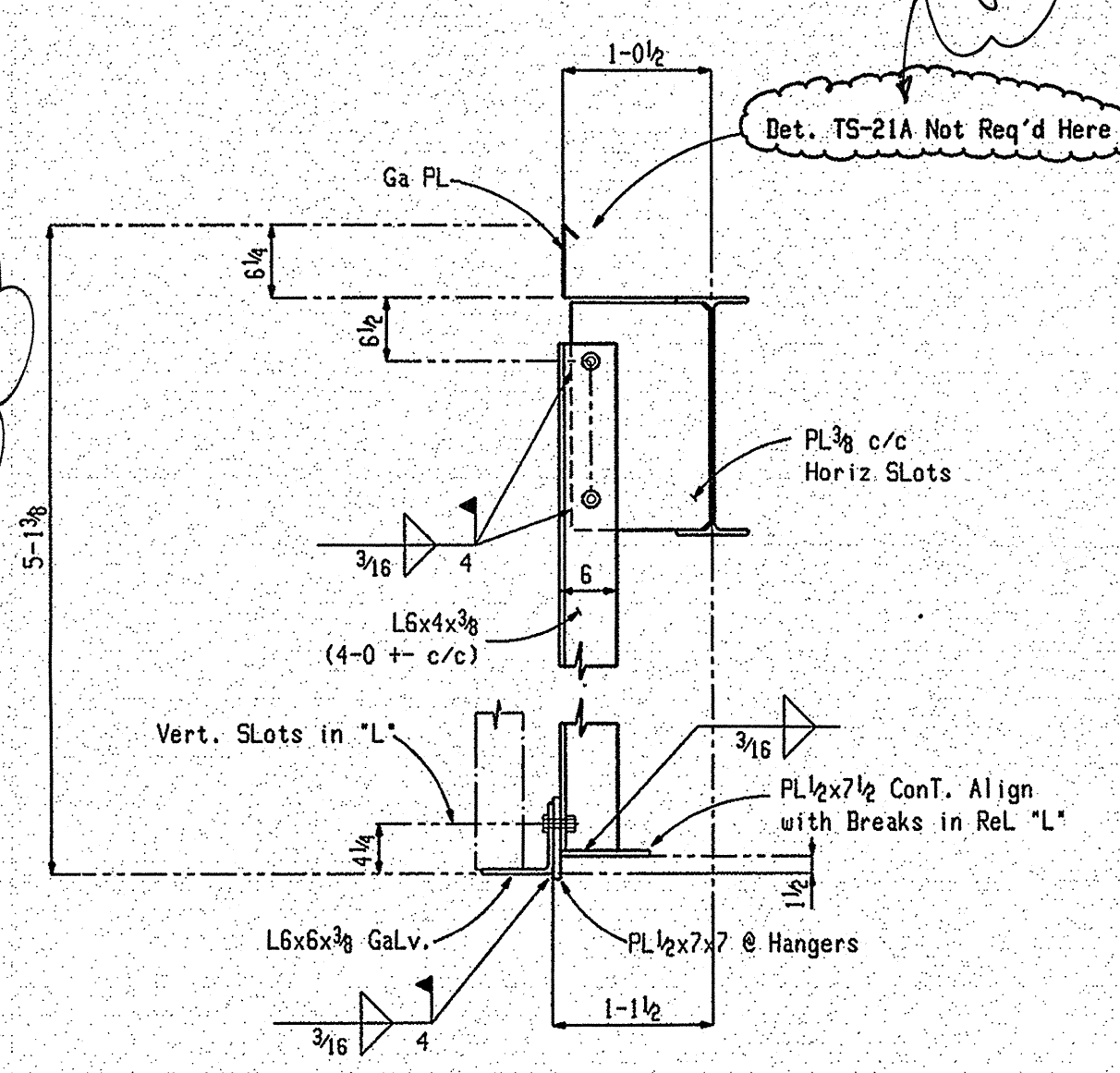
Section 12

MISSING REL L PER PREVIOUS SUBMITTAL
TRUSS TO COMMENT IF REL L'S ARE REQ'D



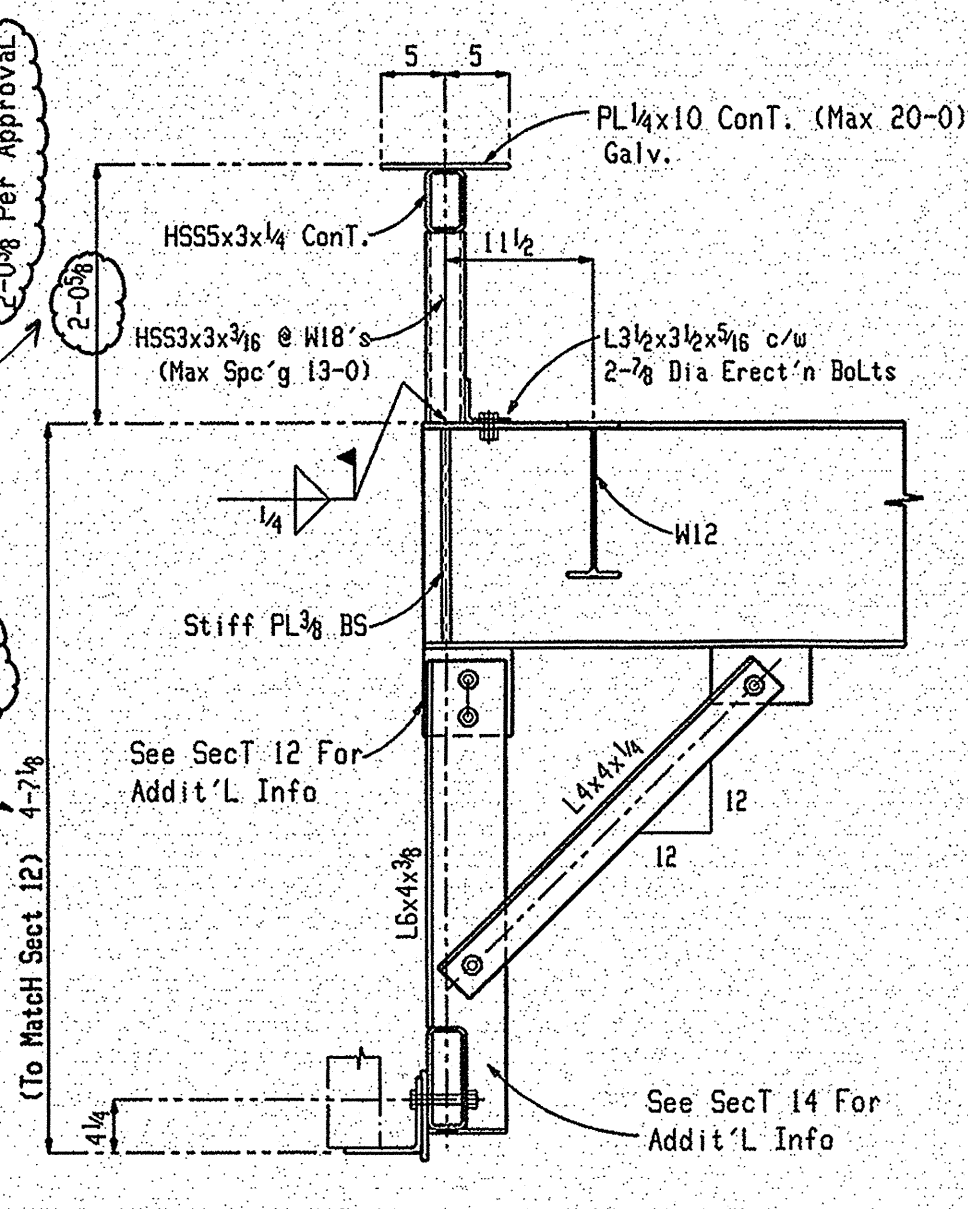
Section 13

SEE LEFT #29 FOR DIMENSIONS WORKING AS NOTED.



Section 14

OK TO SUB TRUSS TO VERIFY



Section 15

RECEIVED
AUG 14 2006

Simpson Gumpertz & Heger Consulting Engineers Inc.

- APPROVED
- APPROVED AS CORRECTED
- REVISE AND RESUBMIT
- RESUBMIT FOR RECORD COPY

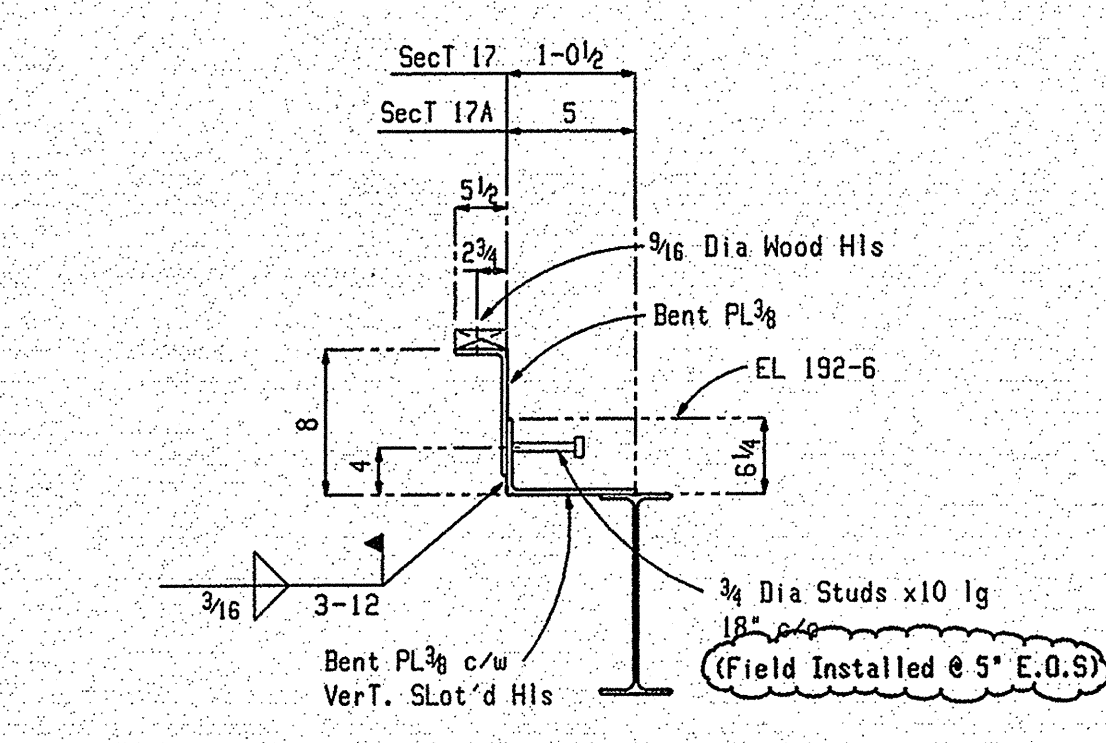
Checking is only for conformance with the design concept of the project and compliance with the information given in the Contract Documents. Contractor is responsible for dimensions to be confirmed and correlated at the job site for information that pertains solely to the fabrication processes or to techniques of construction, and the coordination of the work of all trades.

BY: *MJS* DATE: *29 Aug 06*
SIMPSON GUMPERTZ & HEGER INC. CONSULTING ENGINEERS
41 SEYON ST., BUILDING 1, SUITE 500 WALTHAM, MA 02453

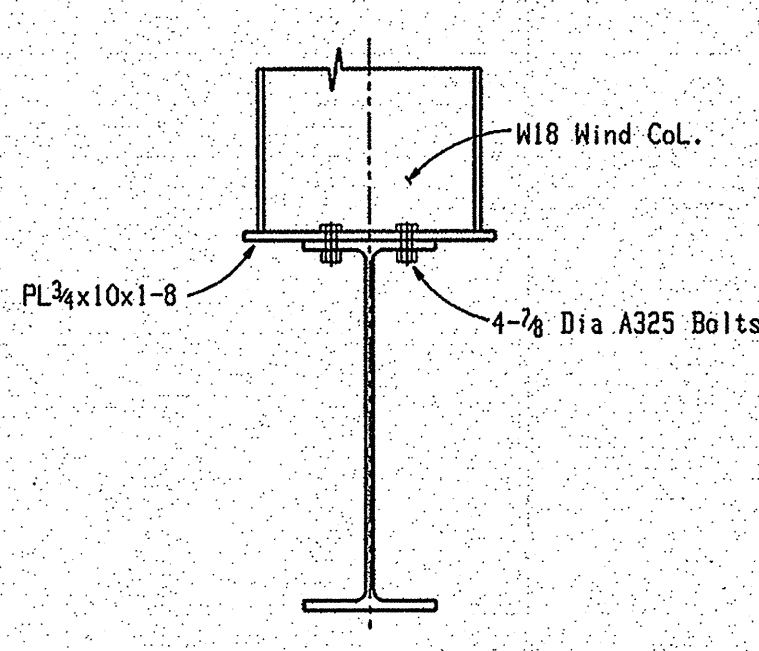
Section 16

Grid Locations: A2, A3, A4, B1, B5, C1, D1, E2, E3, E4, F7.2, F8, F9, G10, H10, J10, K10

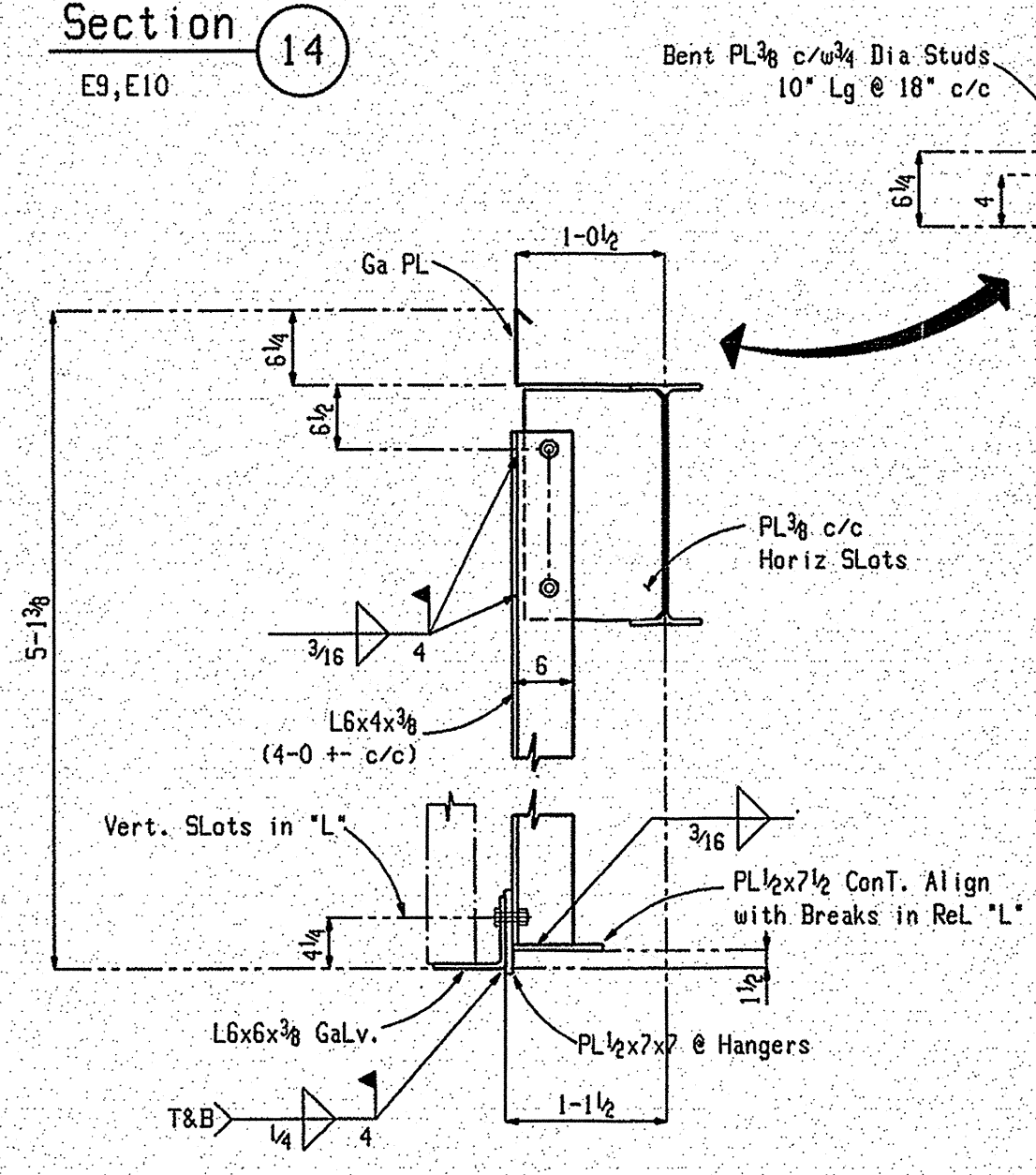
FOR APPROVAL
JUL 31 2006



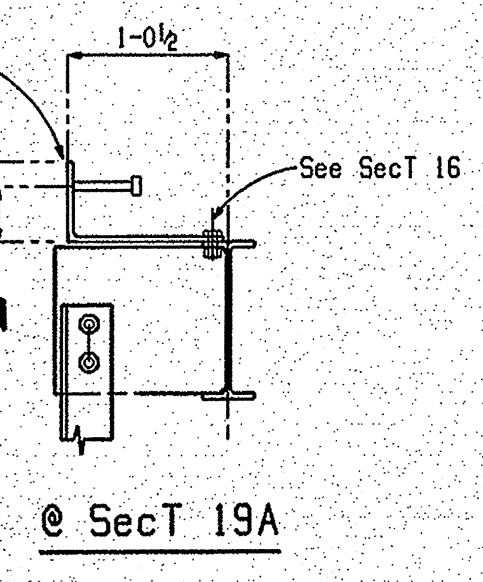
Section 17



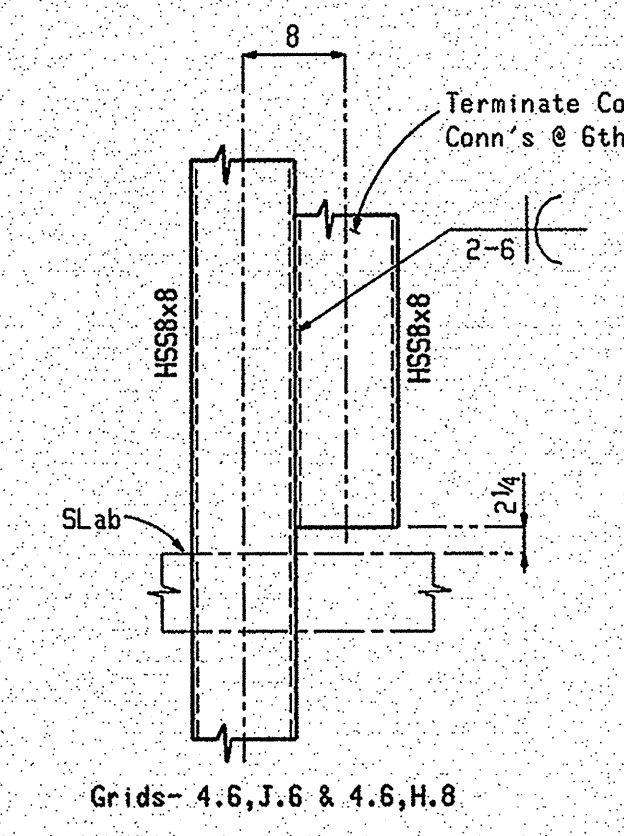
Section 18



Section 19



Section 19A



Section 20

Column Strengthening Detail

WILLIAM A. BERRY & SON, INC.
REVIEWED IN ACCORDANCE WITH THE CONTRACT DOCUMENTS.
THE SUBCONTRACTOR / VENDOR IS RESPONSIBLE FOR ALL DIMENSIONS, CORRECT FIT AND COORDINATION OF ALL ITEMS TO BE FURNISHED & INSTALLED.
BY: *MJS* DATE: *29 Aug 06*
JOB #: *04-310-0* JOB TITLE: *MAC-CHELES ST.*
SUBMISSION #: *21-0021-2*
SPEC/DRAWL REF: *REVIEWED FOR CONSTRUCTION*

Revisions			
No.	Date	Description	
1	31-07-06	UPDATED TO SUIT APPROVAL	

		NOVEL IRON WORKS 250 Ocean Road Greenland, NH 03840	
Project	Maine Medical Center	Date	Apr-06
Description	Sections & Details	Drawn By	
Architect	TRD	Chk By	H.J.L.
Engineer	Simpson Gumpertz & Heger Inc.	Job No.	316
Customer	William Berry & Son Inc.	Shr. No.	E16