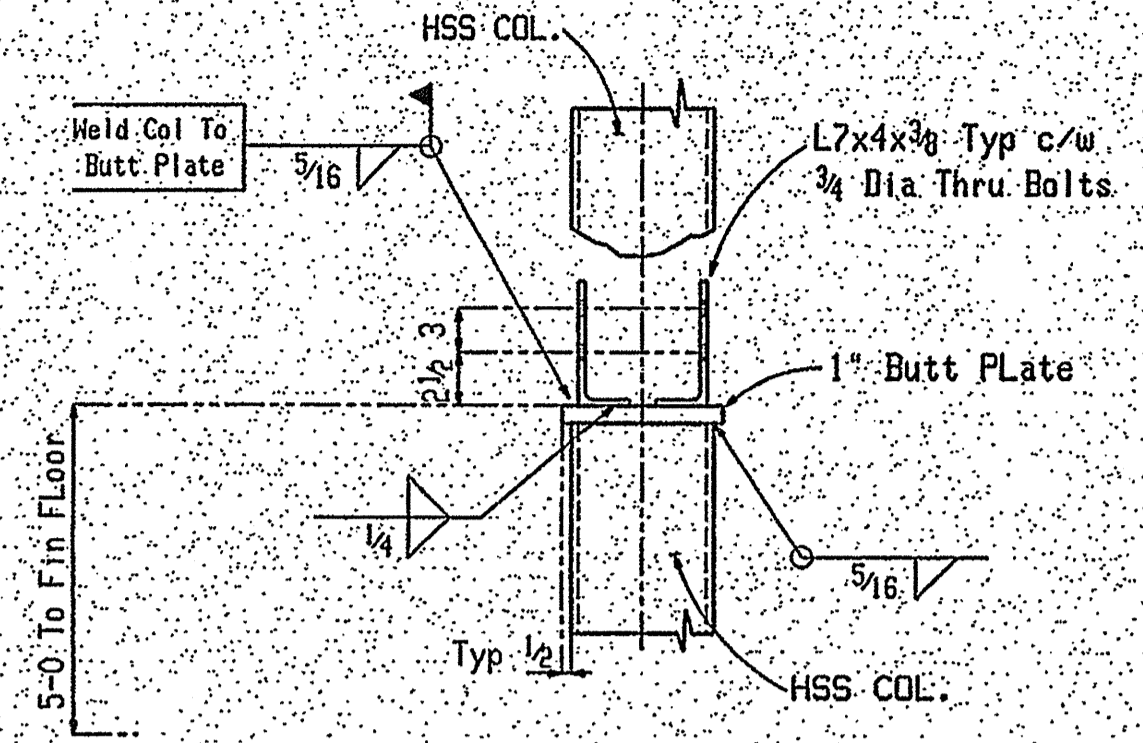
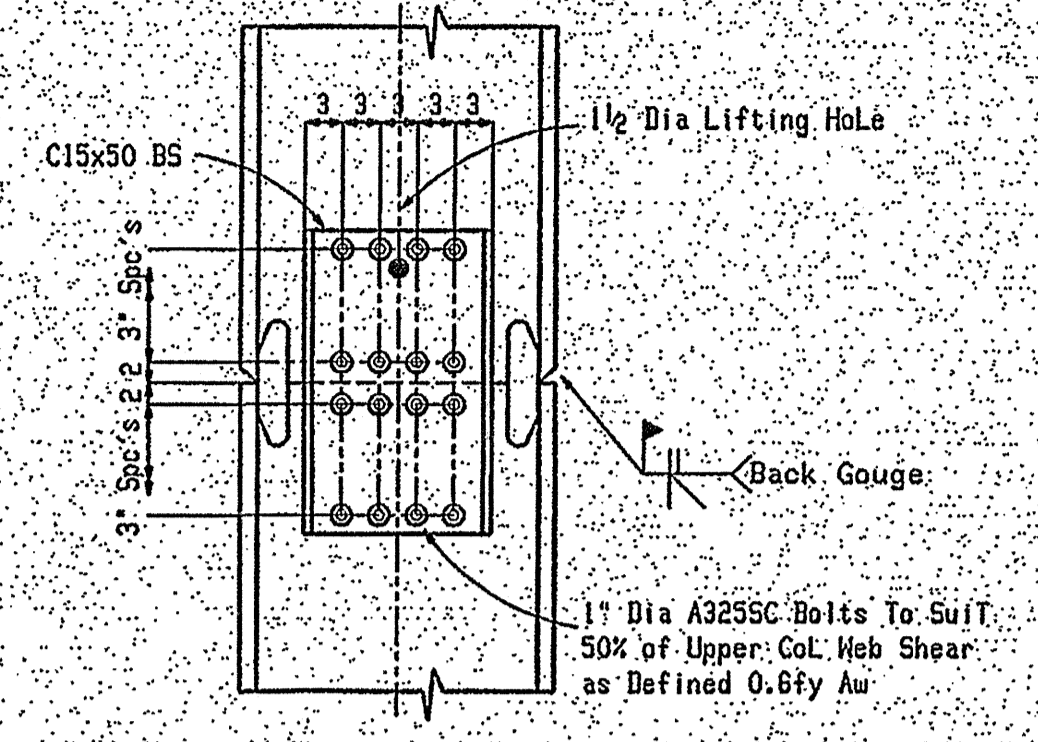


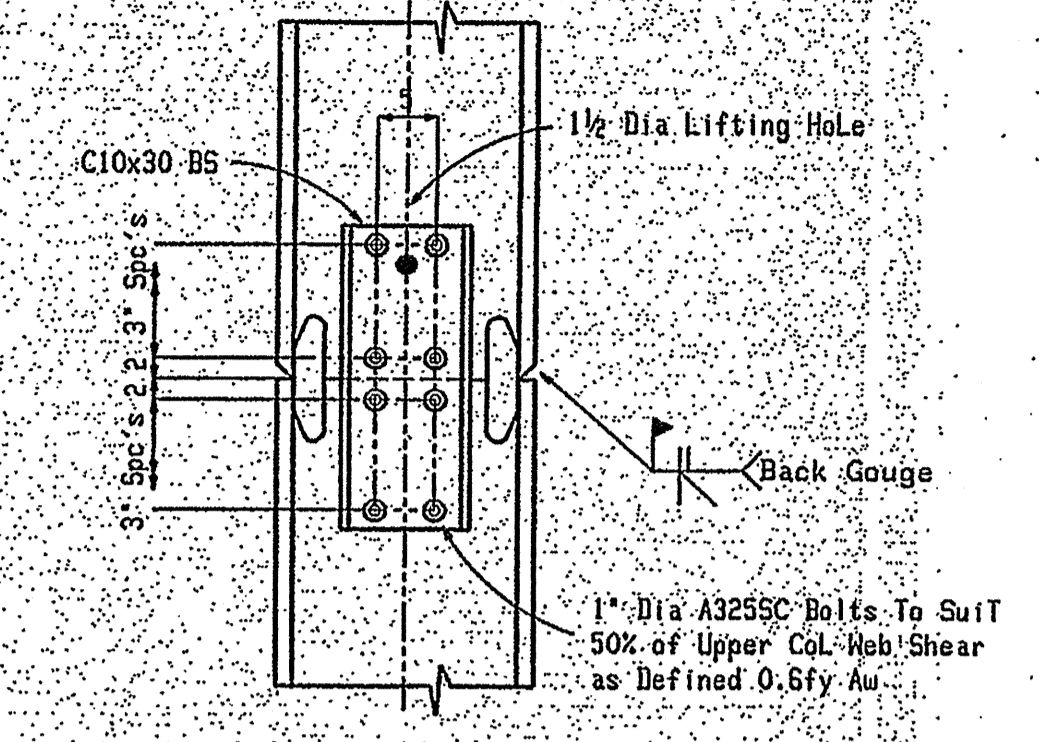
**Gravity Col. Splice Detail**



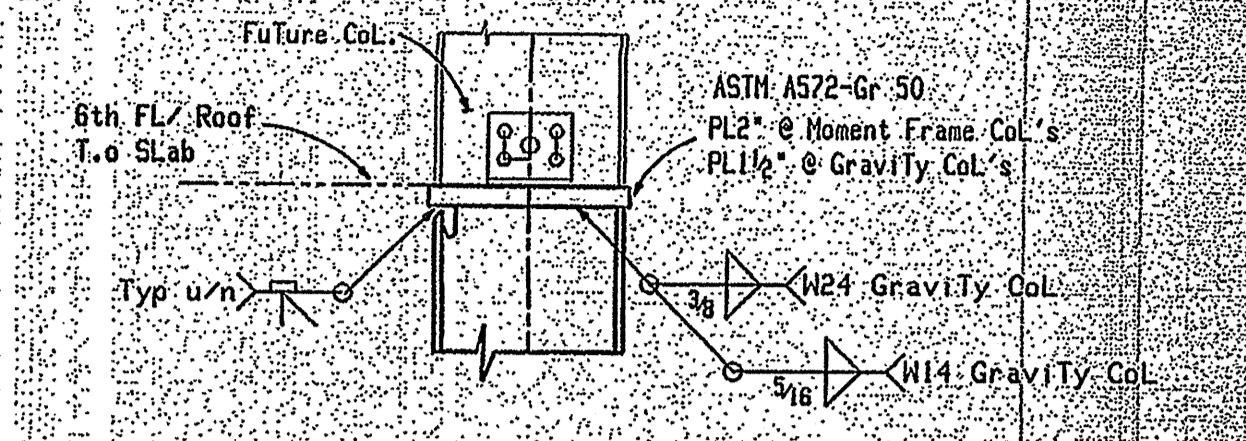
**Typ. HSS Col. Splice Detail**



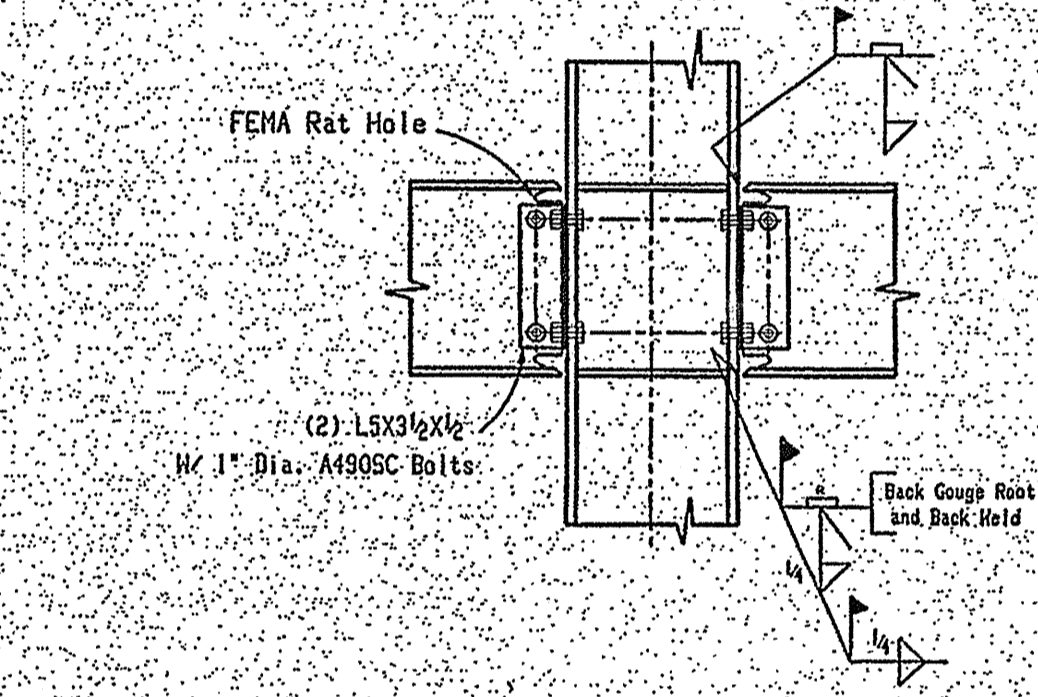
**Moment Col. Splice**  
(N24 Col's)



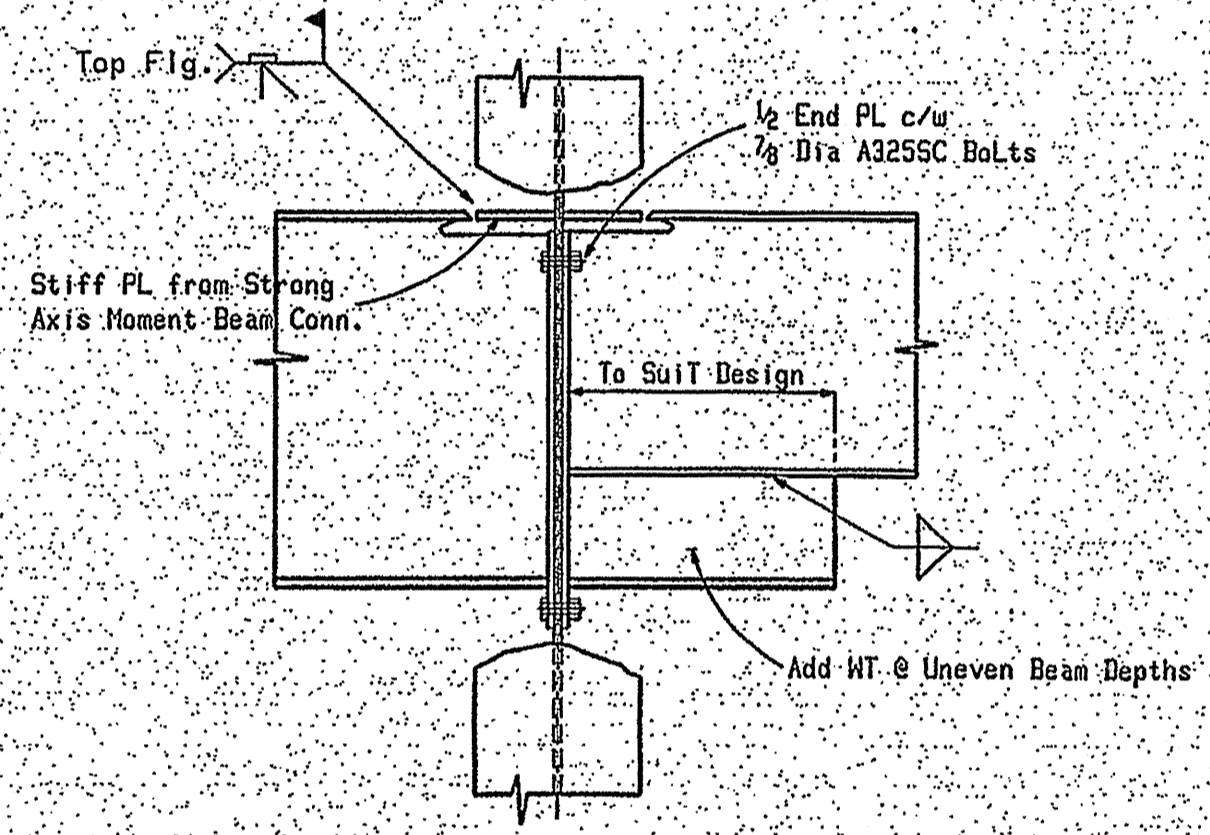
**Moment Col. Splice**  
(W14 Col's)  
(Grids D, 3 & C, 3- 1st Tier)



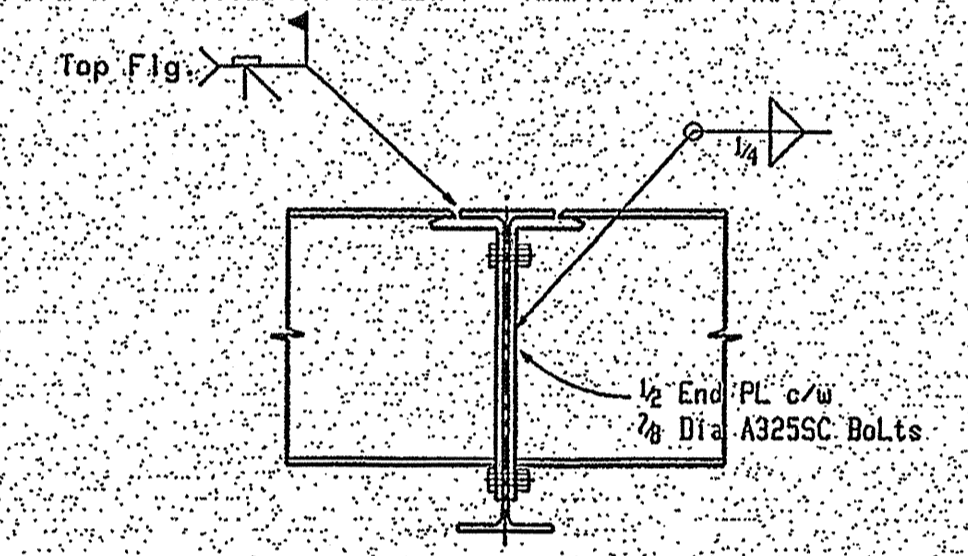
**Col. Detail @ Future Expansion**



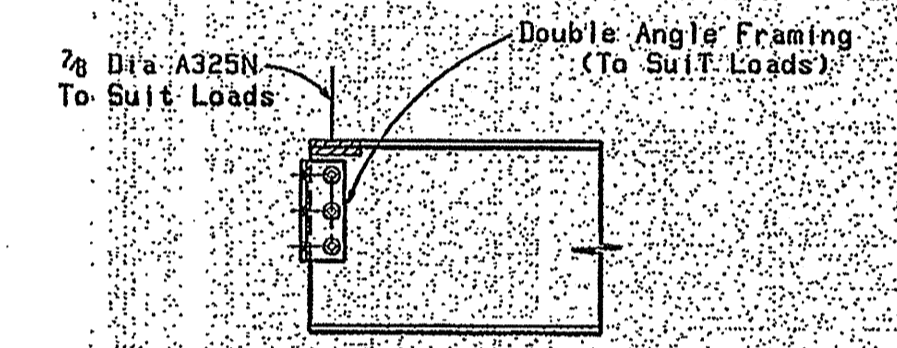
**Typ. Moment Connection To Column Flange**  
Filler Metal Shall Have a Min. Charpy V-Notch of 20 ft-lbs @ 40 deg. F



**Typ. Moment Conn. To Column Web**  
(Non Seismic)

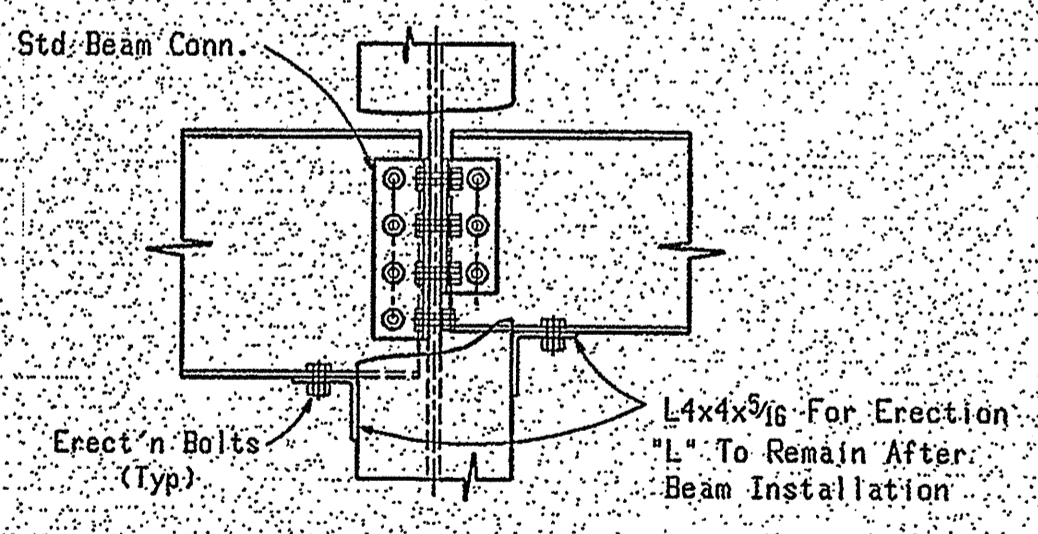


**Typ. Beam/Beam Moment Conn.**  
(Non Seismic)

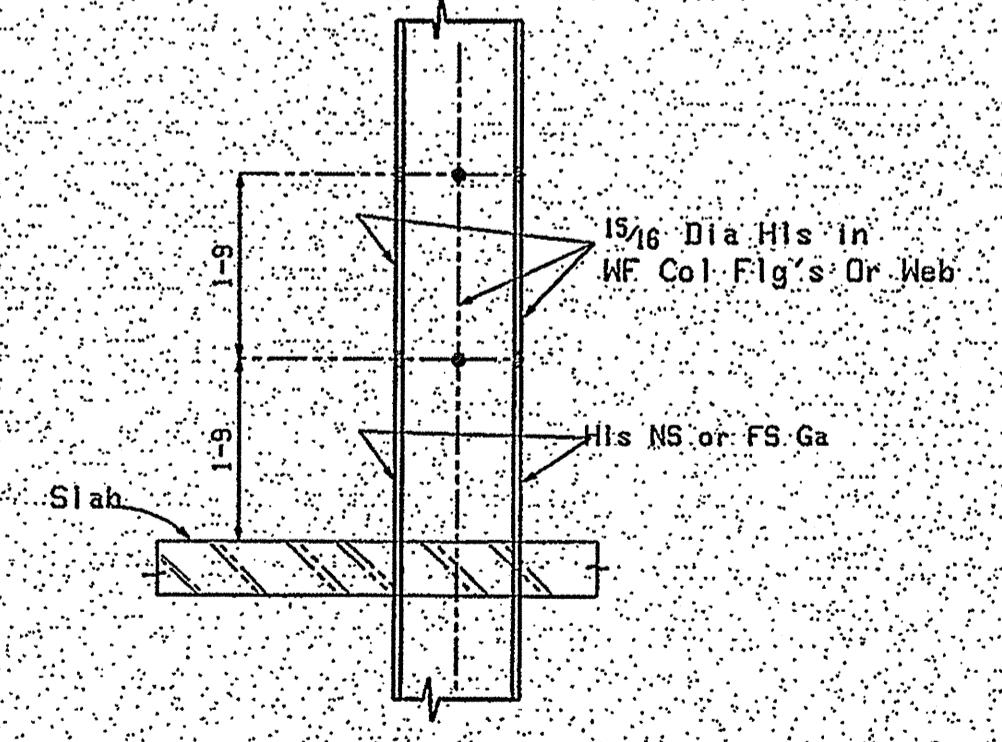


**Typ Beam Framing Detail**

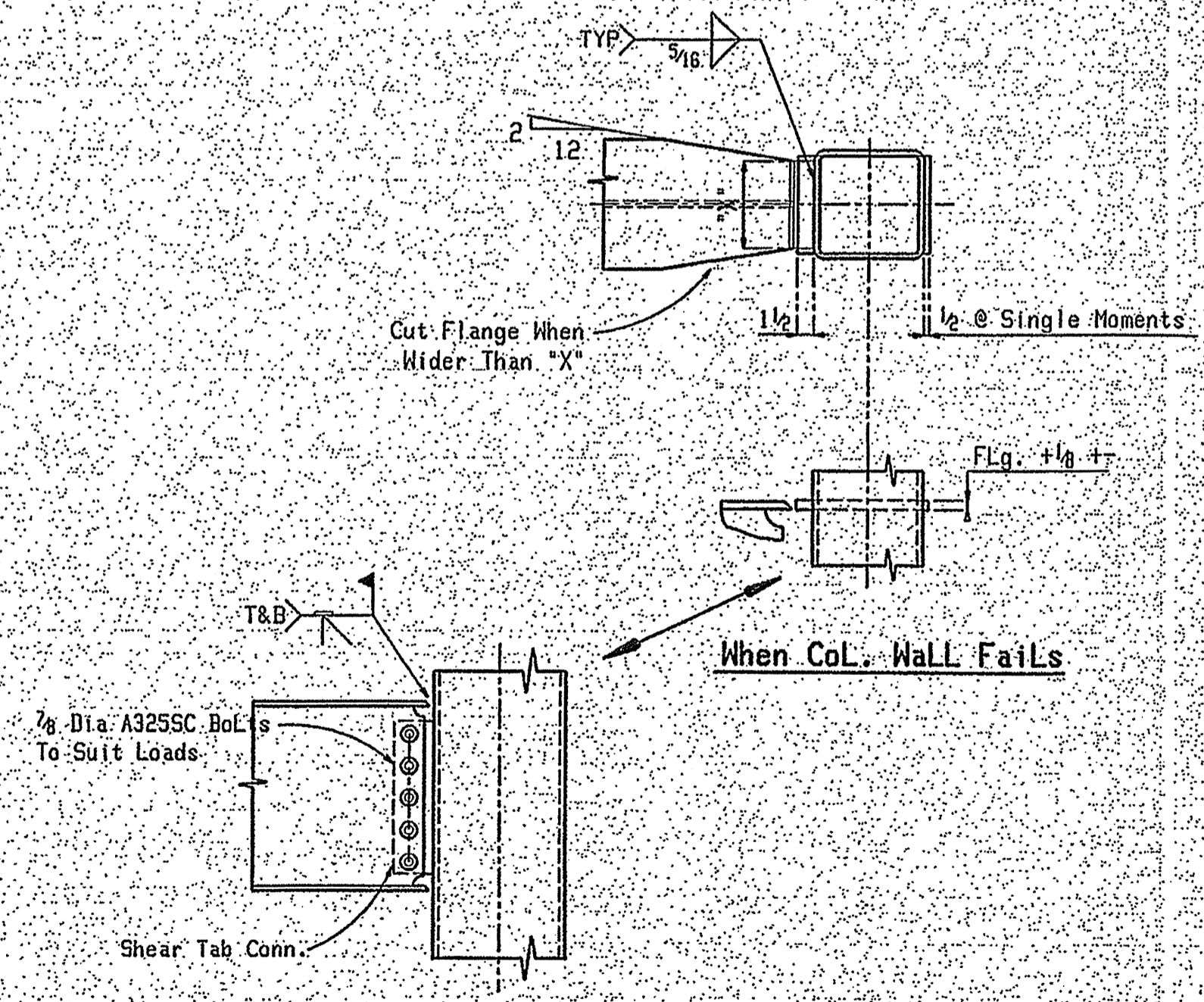
Approved as Constructed (1)  
 Checked above fabrication (1) by the underwriter. Approval does not authorize changes to Contract documents unless noted in separate letter or Change Order.  
 If checked below fabrication (1) by the underwriter, Resubmit corrected copies for 1st approval. Correction shall be limited to items marked.  
 Review and Resubmit Not Approved (1)  
 Reviewing is only for compliance with the design concept of the project and compliance with the applicable provisions of the Contract Documents. The Contractor is responsible for determining that the proposed fabrication processes or techniques of construction and to coordination of the work of all trades.  
 THE FITCHIE ORGANIZATION  
 Date: 8/15/06 By: JWS



**Safety Connection**  
(Beam/Column Web)



**Safety Cable Conn.**  
(Perimeter Cols)  
(Major Internal Opng's)

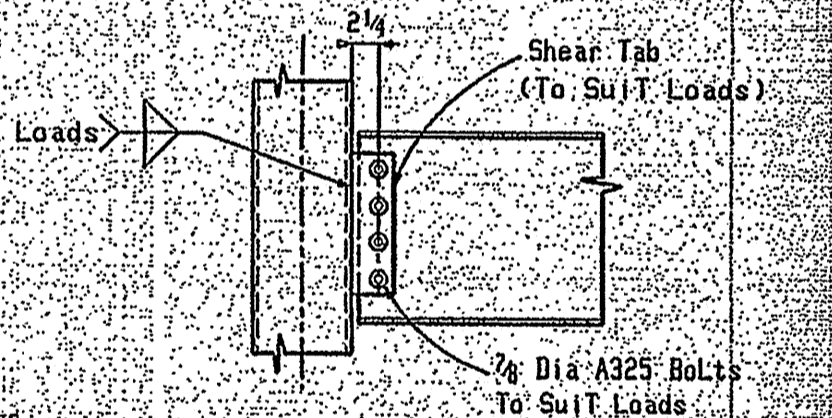


**TYP. Beam/HSS Column Moment Conn.**  
(Non Seismic)

RECEIVED To Suit Loads  
 AUG 14 2006  
 Simpson Gumpertz & Heger Consulting Engineers Inc.

- APPROVED
- NOT APPROVED
- APPROVED AS CORRECTED
- REVISE AND RESUBMIT
- RESUBMIT FOR RECORD COPY

Checking is only for conformance with the design concept of the project and compliance with the information given in the Contract Documents. Contractor is responsible for dimensions to be confirmed and checked at the job site for information that pertains solely to the fabrication processes or to techniques of construction and to coordination of the work of all trades.  
 BY: *M. J. [Signature]*  
 DATE: 7/9 Aug 06  
 SIMPSON GUMPERTZ & HEGER INC.  
 CONSULTING ENGINEERS  
 41 SEYON ST., BUILDING 1, SUITE 500  
 WALTHAM, MA 02453



**Typ Beam/HSS Col. Detail**

WILLIAM A. BERRY & SON, INC.  
 REVIEWED IN ACCORDANCE WITH THE CONTRACT DOCUMENTS.  
 THE SUBCONTRACTOR/VENDOR IS RESPONSIBLE FOR ALL DIMENSIONS, CORRECT FIT AND COORDINATION OF ALL ITEMS TO BE FABRICATED & INSTALLED.

Revisions			
No.	Date	Description	
1	31-07-06	UPDATED TO SUIT APPROVAL	
NOVEL IRON WORKS 250 Ocean Road Greenland, NH 03840			
Project	Maine Medical Center	Date:	Apr-06
Description	Sections & Details	Drawn By:	JL
Architect	TRQ	Checked By:	JL
Engineer	Simpson Gumpertz & Heger, Inc.	Job No.:	316
Customer	William Berry & Son, Inc.	Sheet No.:	E14

FOR APPROVAL  
 JUL 31 2006