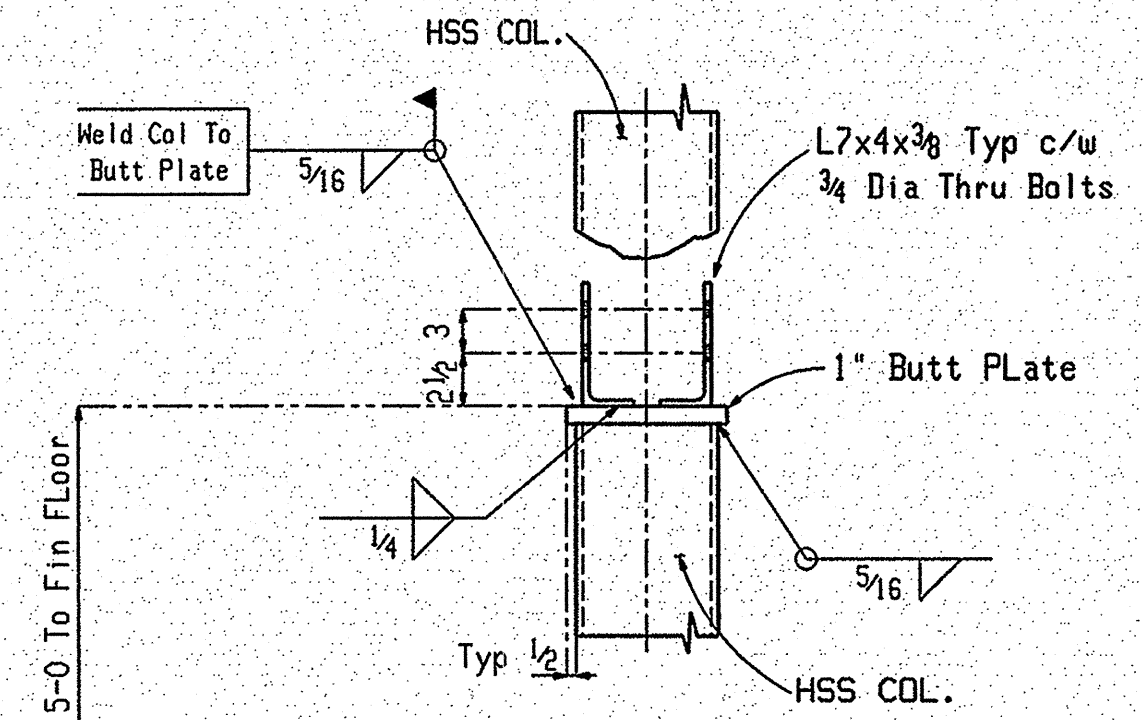
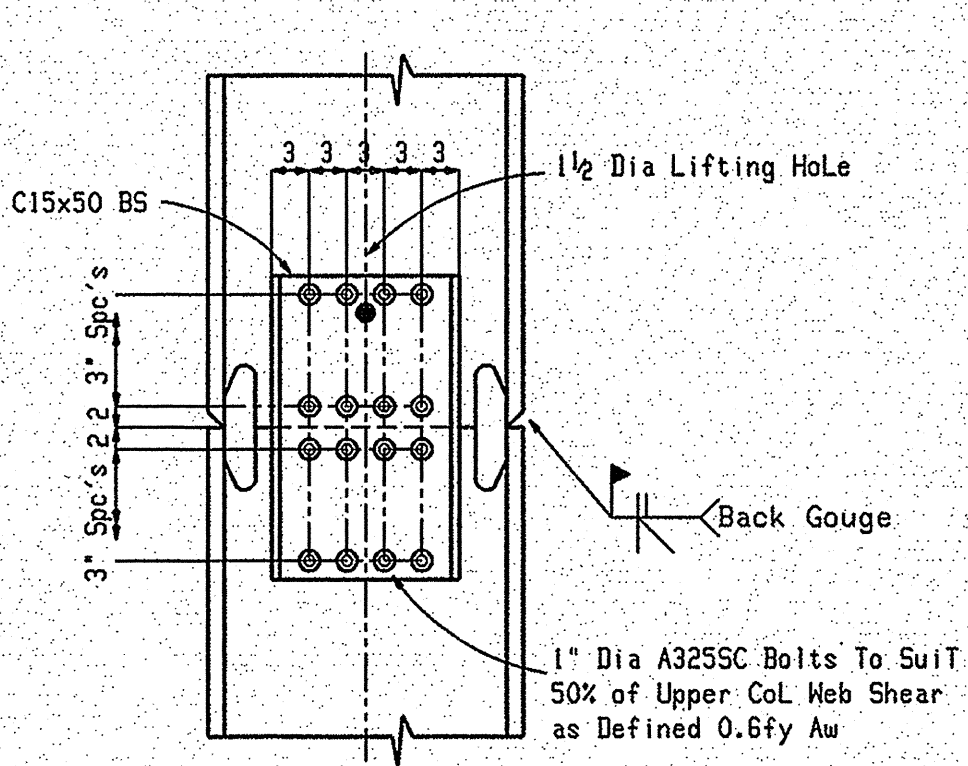


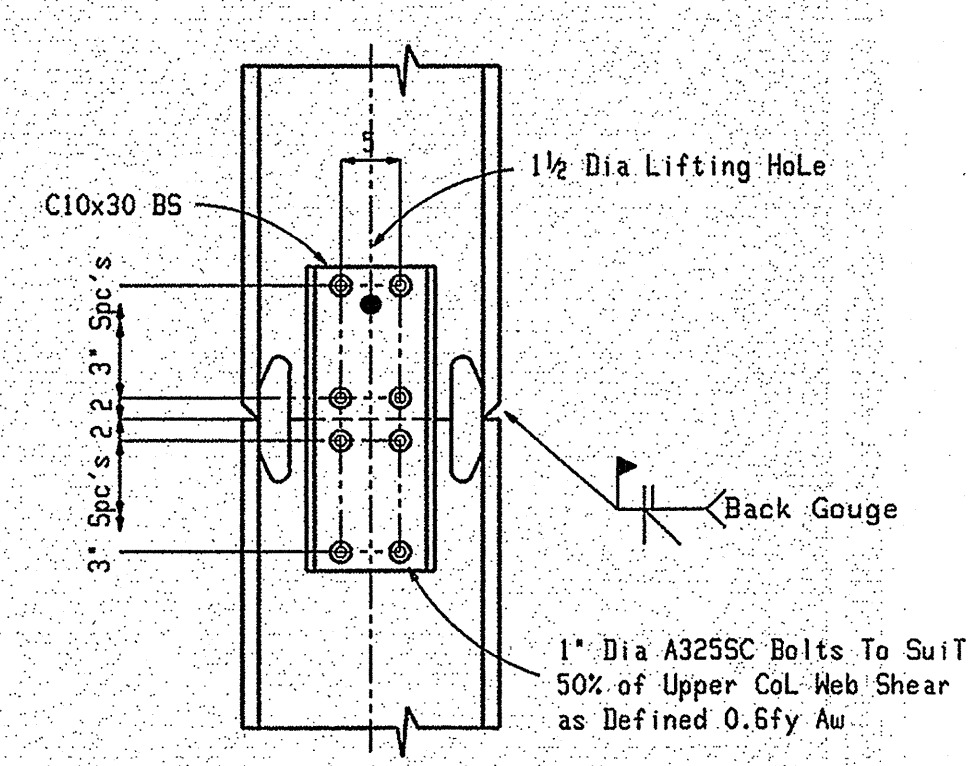
Gravity Col. Splice Detail



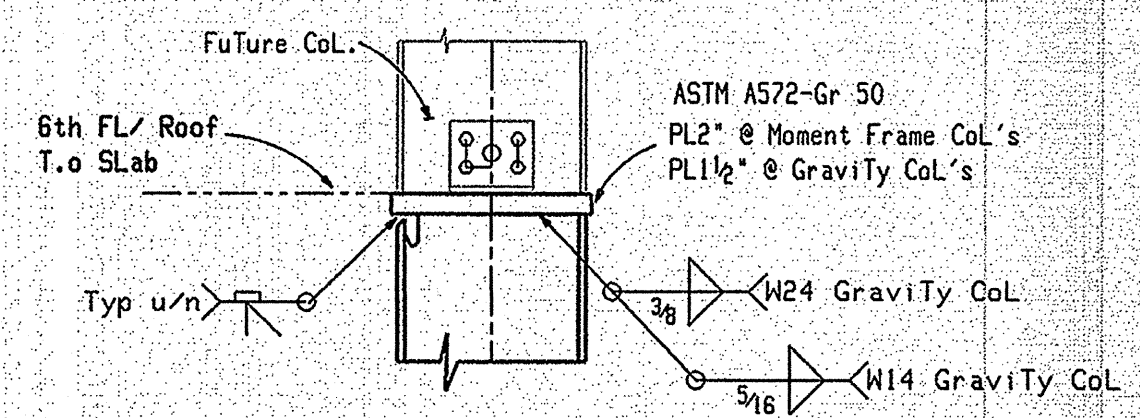
Typ. HSS Col. Splice Detail



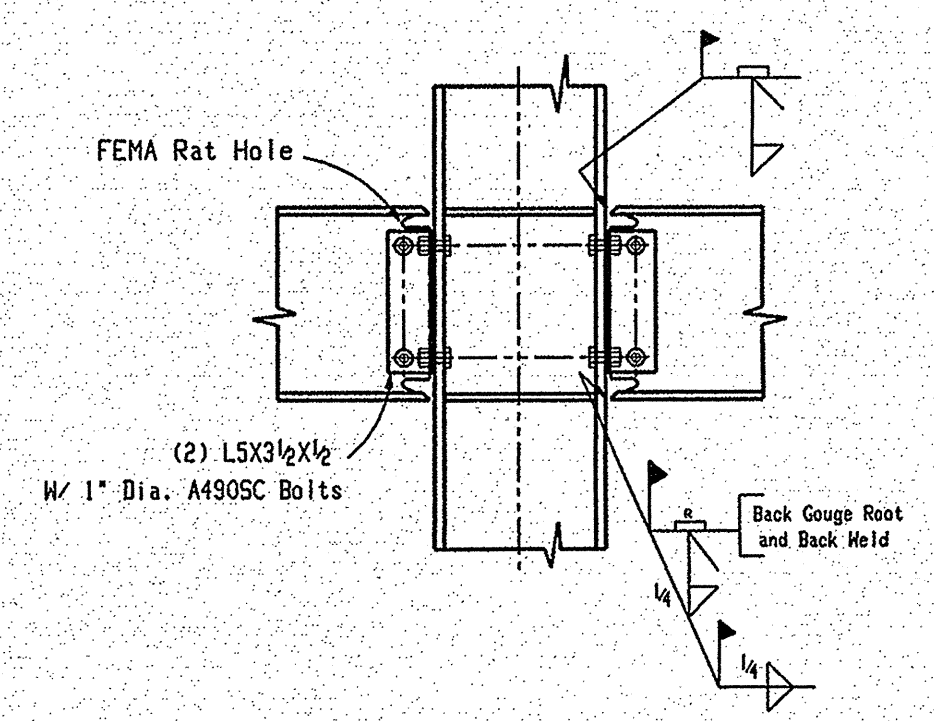
Moment Col. Splice (W24 Col's)



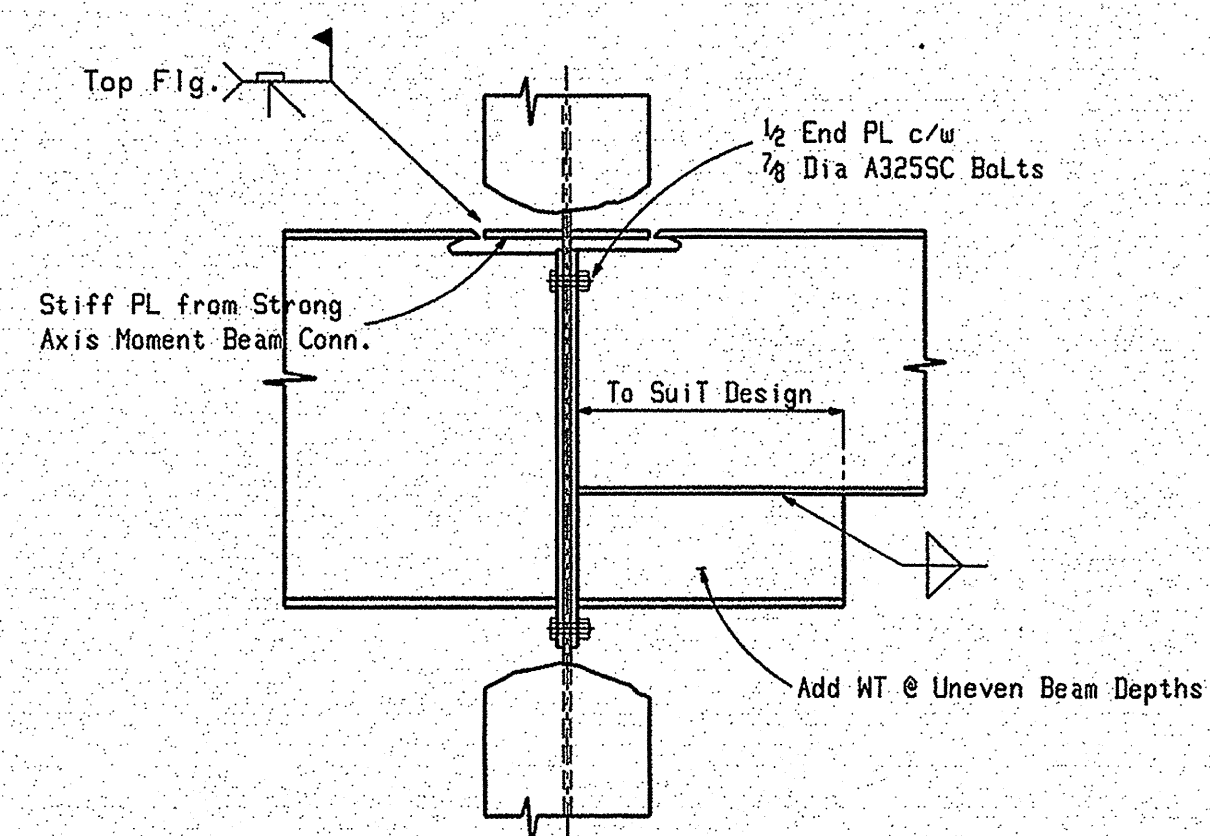
Moment Col. Splice (W14 Col's) (Grids D,3 & C,3- 1st Tier)



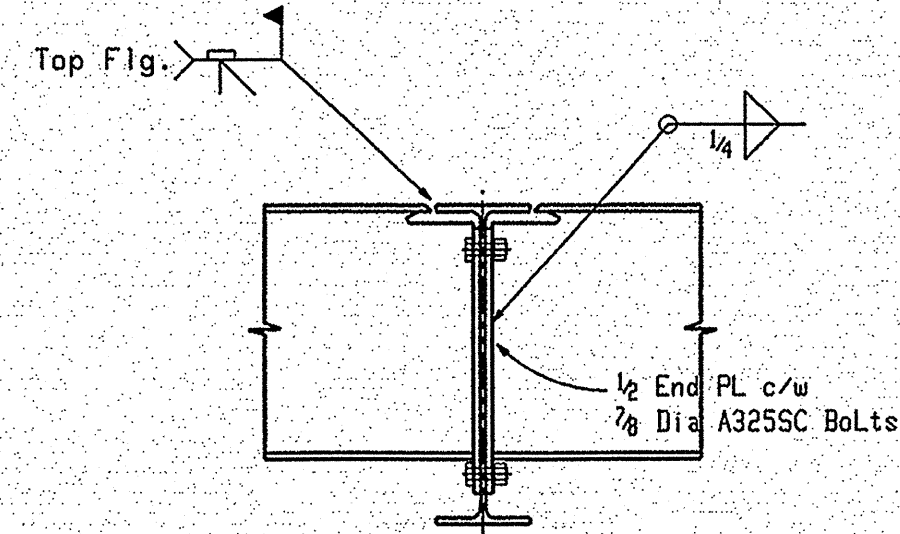
Col. Detail @ Future Expansion



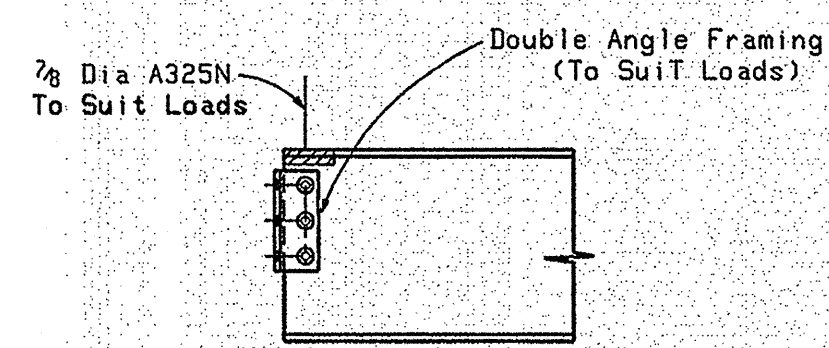
Typ. Moment Connection To Column Flange
Filler Metal Shall Have a Min. Charpy V-Notch of 20 ft-lbs @ 40 deg.f



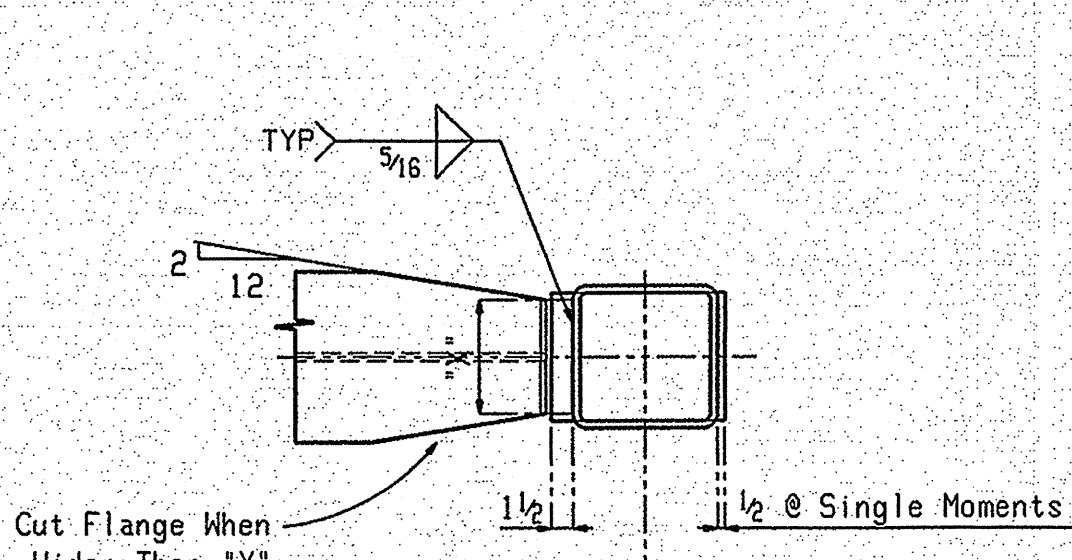
Typ. Moment Conn. To Column Web (Non Seismic)



Typ. Beam/Beam Moment Conn. (Non Seismic)



Typ Beam Framing Detail

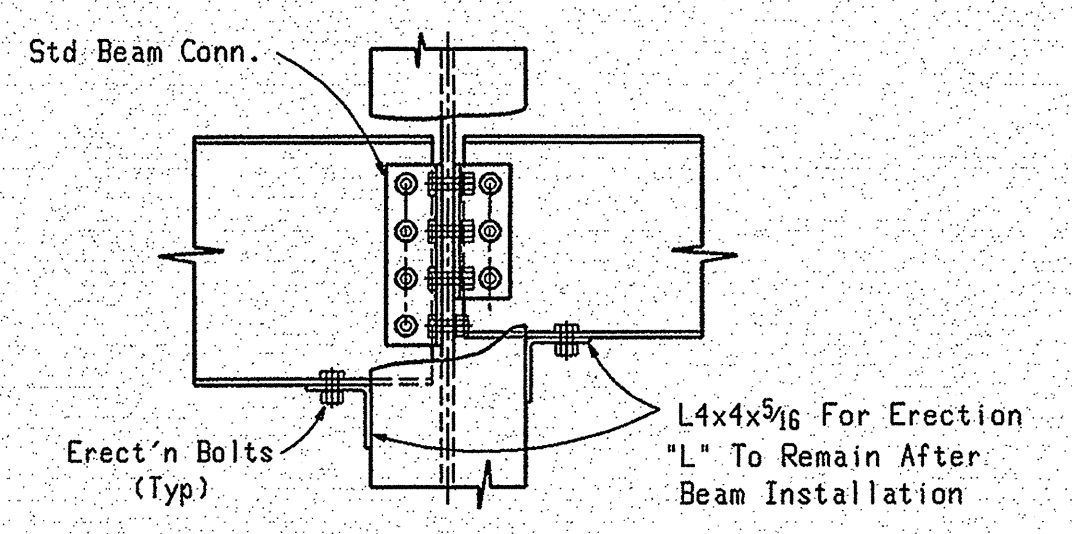


Typ Beam/HSS Col. Detail

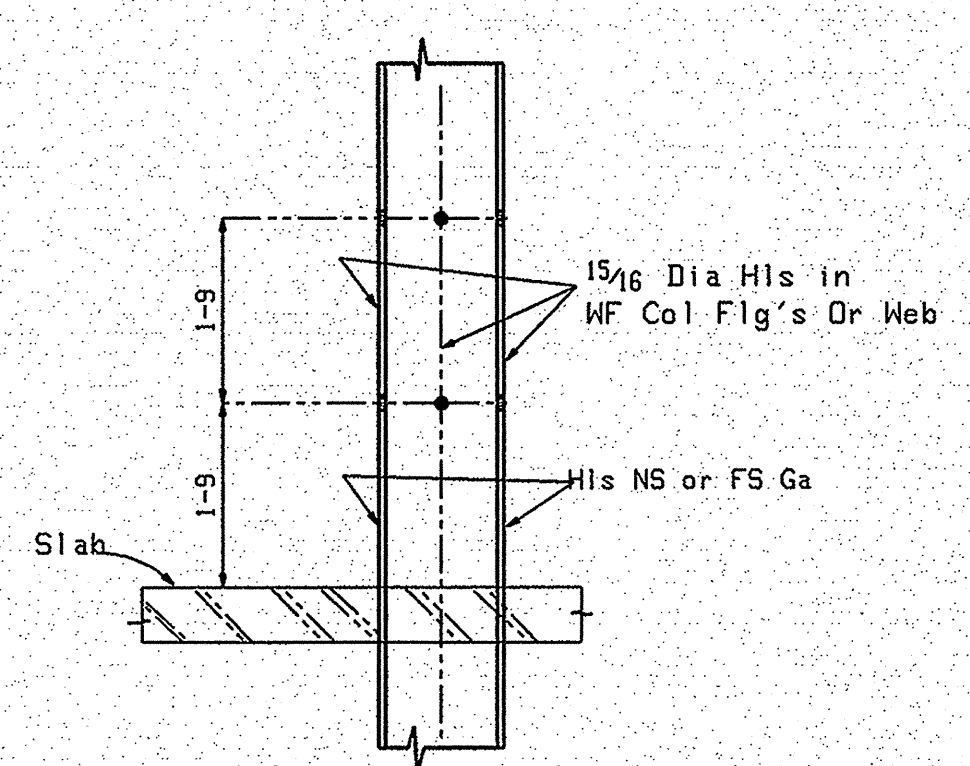
RECEIVED
AUG 14 2006
Simpson Gumpertz & Heger
Consulting Engineers Inc.

APPROVED NOT APPROVED
 APPROVED AS CORRECTED
 REVISE AND RESUBMIT
 RESUBMIT FOR RECORD COPY
 Checking is only for conformance with the design concept of the project and compliance with the information given in the Contract Documents. Contractor is responsible for dimensions to be confirmed and correlated at the job site; for information that pertains solely to the fabrication processes or to techniques of construction; and for coordination of the work of all trades.
 BY: *M. J. Bellini*
 DATE: 7/9 Aug 06
 SIMPSON GUMPERTZ & HEGER INC.
 CONSULTING ENGINEERS
 41 SEYON ST., BUILDING 1, SUITE 500
 WALTHAM, MA 02453

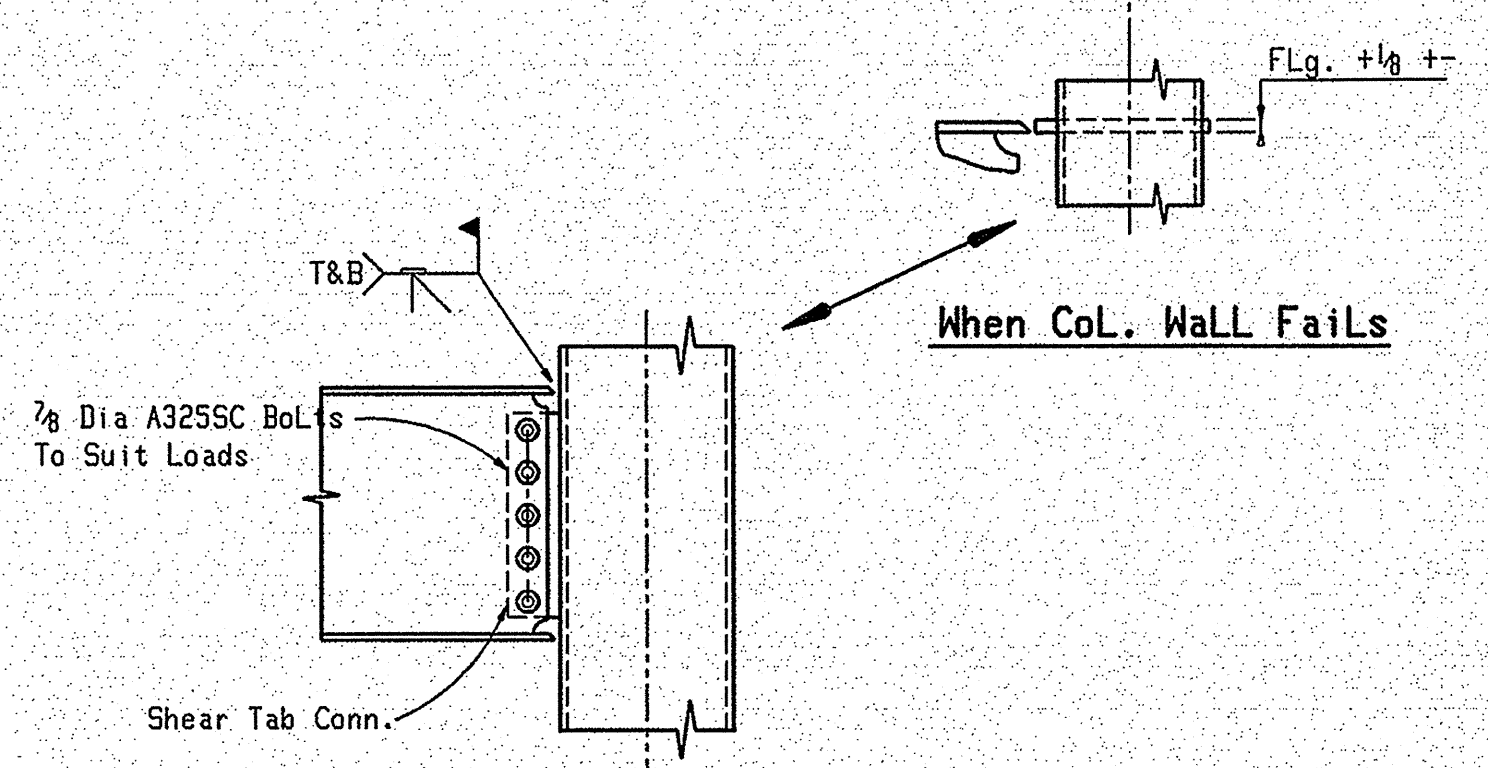
FOR APPROVAL
JUL 31 2006



Safety Connection (Beam/Column Web)



Safety Cable Conn. (Perimeter Coils) (Major Internal Opng's)



TYP. Beam/HSS Column Moment Conn. (Non Seismic)

WILLIAM A. BERRY & SON, INC.
 REVIEWED IN ACCORDANCE WITH THE CONTRACT DOCUMENTS.
 THE SUBCONTRACTOR / VENDOR IS RESPONSIBLE FOR ALL DIMENSIONS, CORRECT FIT AND COORDINATION OF ALL ITEMS TO BE FURNISHED & INSTALLED.
 BY: *MJC G-506*
 DATE: 04-31-06
 JOB # 04-310-0
 JOB NAME: MAC-CHARLES ST.
 SUBMISSION #: 05171-019-2
 SPEC. DRAWG. REF.:
 REVIEWED FOR CONSTRUCTABILITY

Revisions			
No.	Date	Description	
1	31-07-05	UPDATED TO SUIT APPROVAL	

NOVEL IRON WORKS			
250 Ocean Road Greenland, NH 03840			
Project	Notes	Hold	AISC Certified Category III
Project	Maine Medical Center	ER205	Date: 04-05-06
Description	Sections & Details		Drawn By: <i>[Signature]</i>
Architect	TRD		Chk. By: <i>[Signature]</i>
Engineer	Simpson Gumpertz & Heger Inc.		Job No. 316
Customer	William Berry & Son Inc.		Sht. No. E14