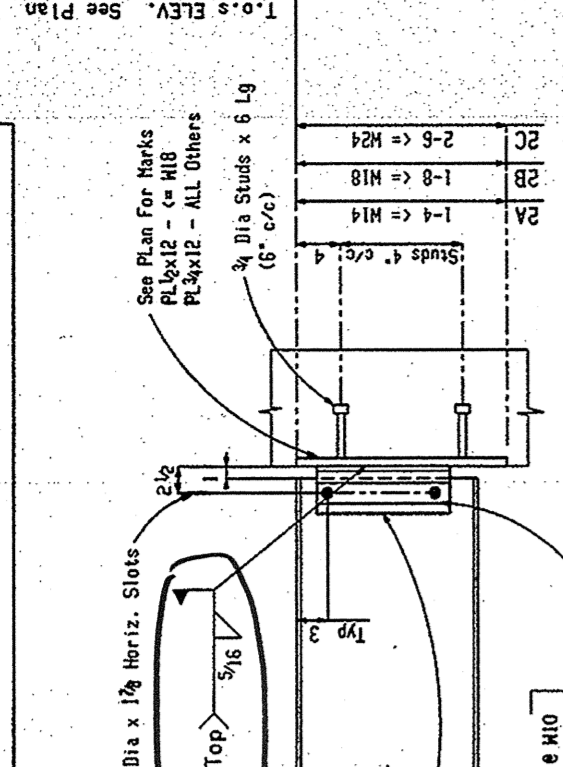


ERECTOR NOTE: One Angle to be Installed Prior to Beam Erection
Other Angle to be Installed with Beam



Typical Beam/Hall Framing

TRC to provide
Location & Elev
by Ramps & Ckn

1" per section 1
Here?

TRC to wall location
confirm edge

provide 1" per section 1
both side of wall, entire
length on 3.6.

1" per
add # 5

TRC to provide
extent of Arch

TRC to provide
TRC to provide
TRC to provide

TRC to provide
TRC to provide
TRC to provide

RECEIVED
APR 13 2006
Simpson Gumpertz & Heger
Consulting Engineers, Inc.
FOR APPROVAL

APPROVED NOT APPROVED
REVISED AS CORRECTED
RESUBMITTED FOR RECORD COPY
RESUBMITTED FOR RECORD COPY
APR 06 2006
DATE: 2 MAY 06
BY: M.J. GUMPERTZ
SIMPSON GUMPERTZ & HEGGER INC.
41 SEVON ST. BUILDING 100
NEW YORK, NY 10013

No.	Date	Description	Revisions

Project	Novel Iron Works
Description	Greenland, NH 03840
Architect	TRC
Engineer	Simpson Gumpertz & Heger, Inc.
Customer	Novel Iron Works

Ground Floor Framing Plan
1.0.S EL. 145-33.6, UN