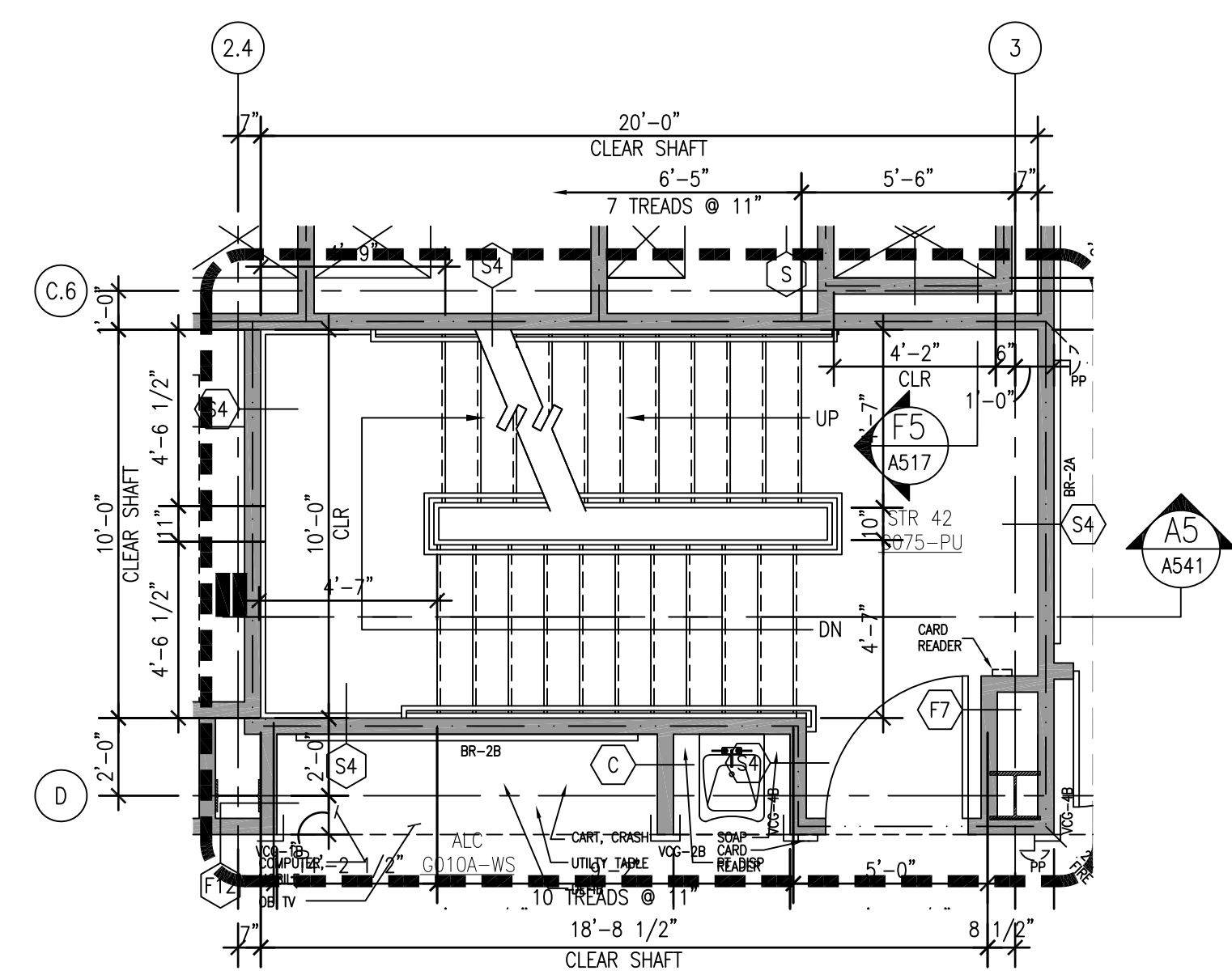
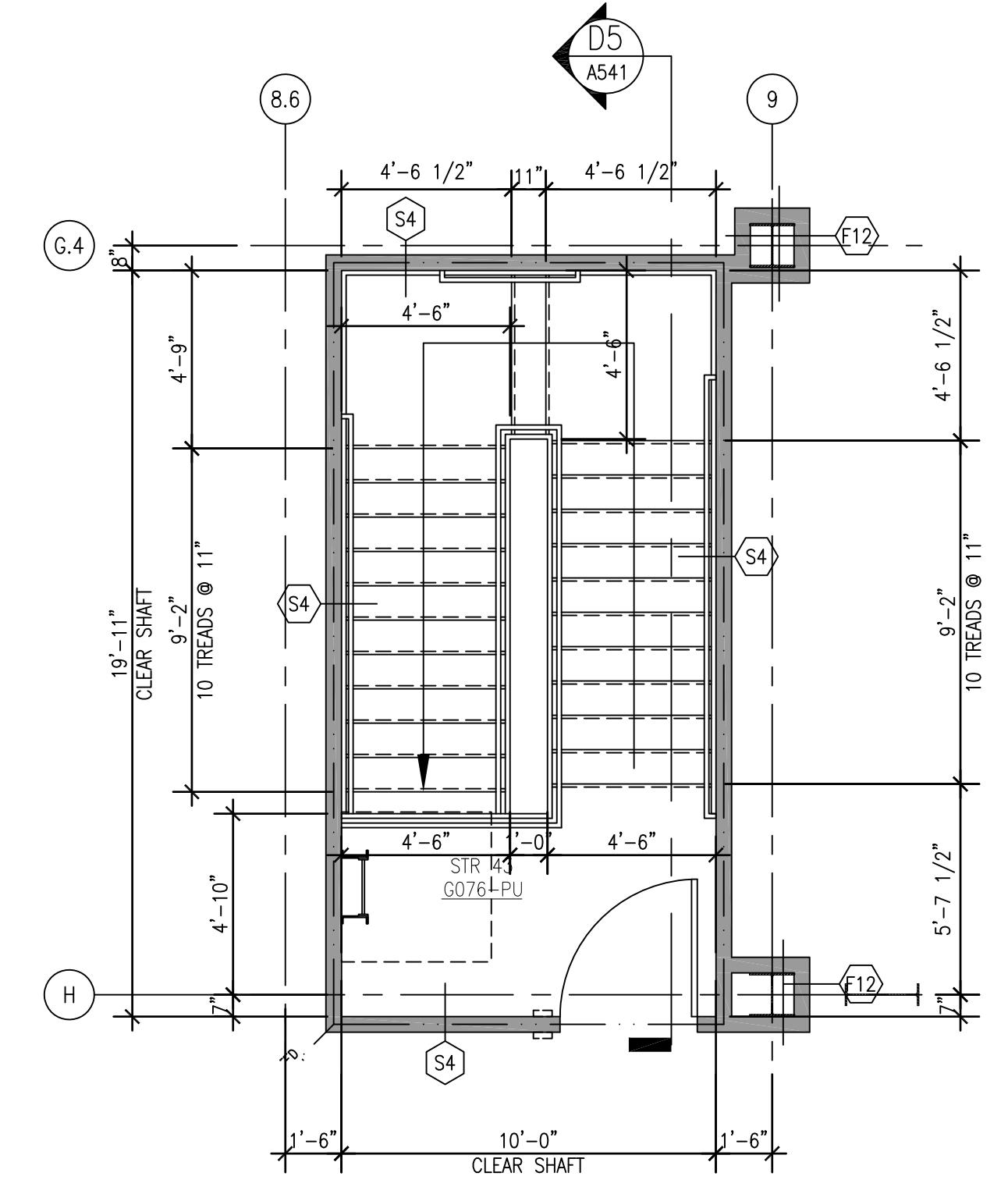


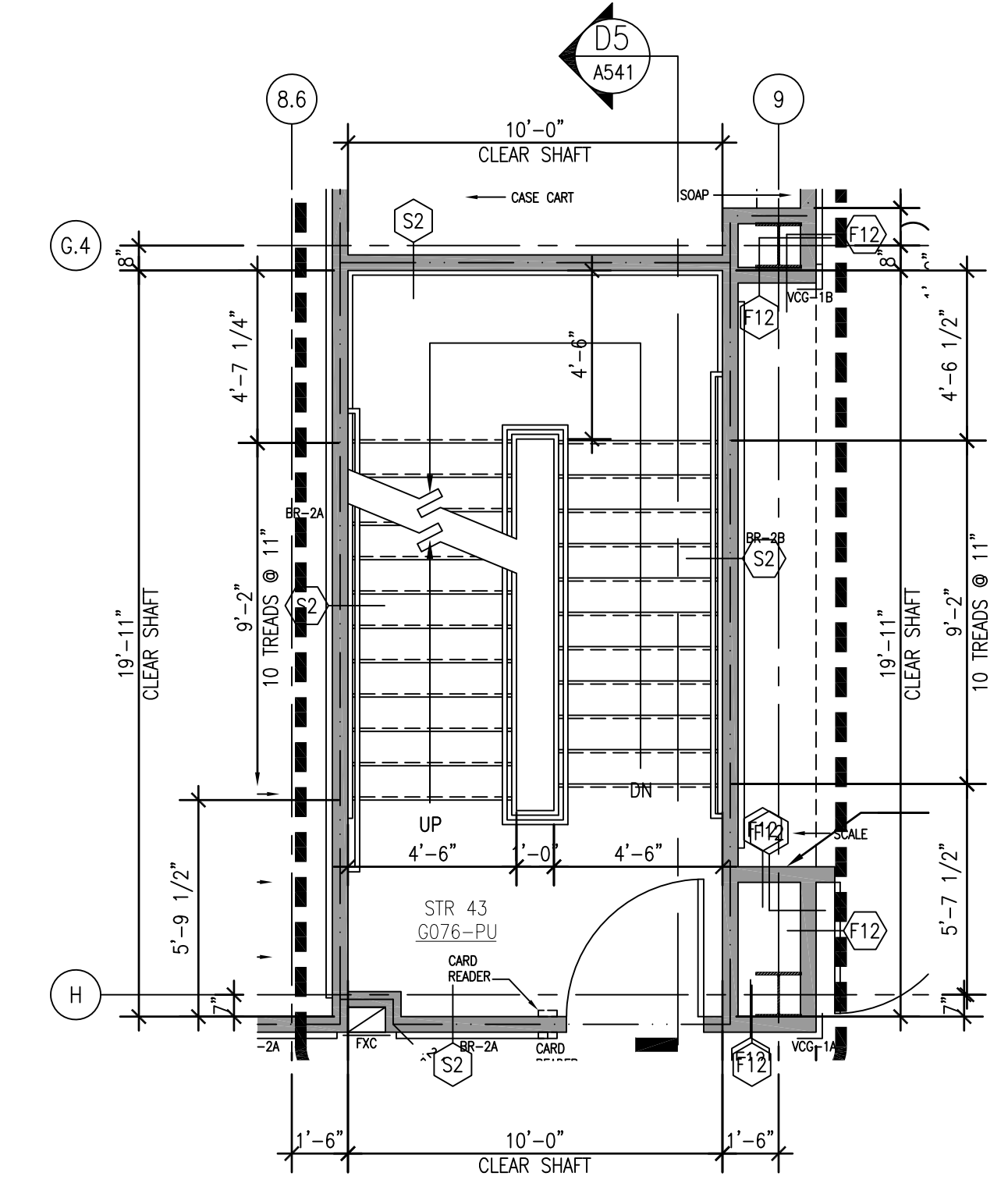
B1 STAIR 42
FOURTH FLOOR PLAN
SCALE: 1/4" = 1'-0"



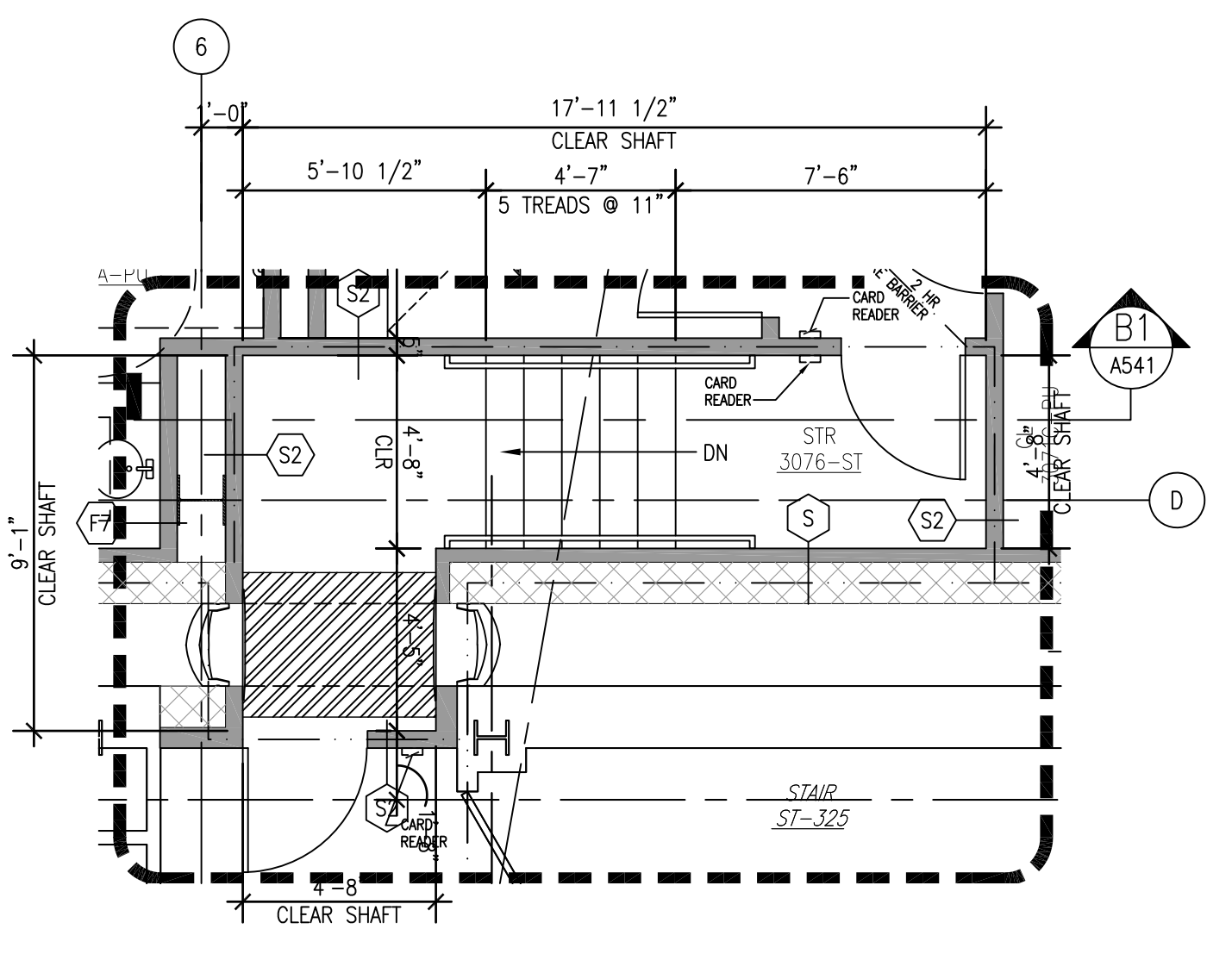
C1 STAIR 42
GROUND FLOOR PLAN
SCALE: 1/4" = 1'-0"



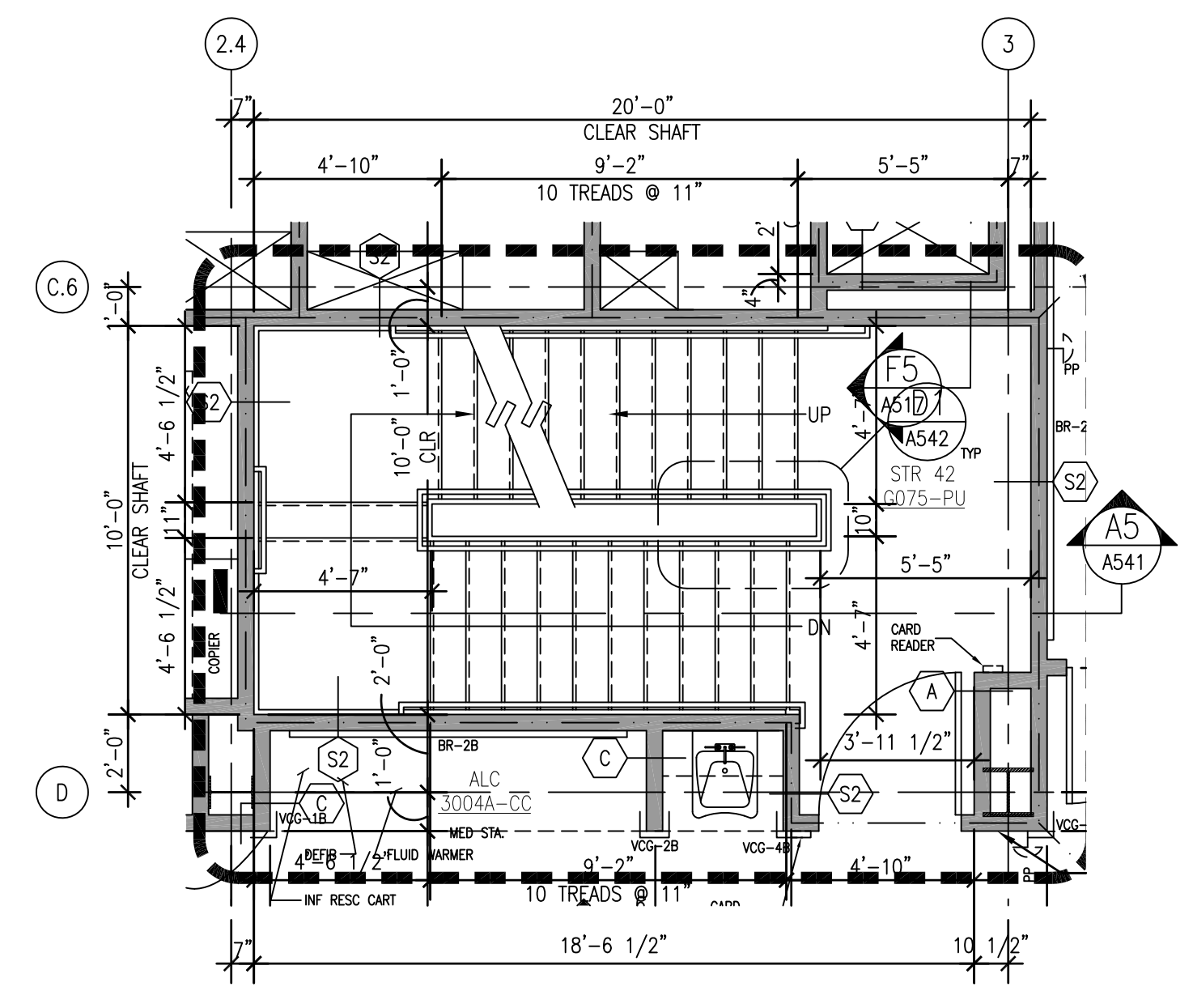
D1 STAIR 43
FIFTH FLOOR PLAN
SCALE: 1/4" = 1'-0"



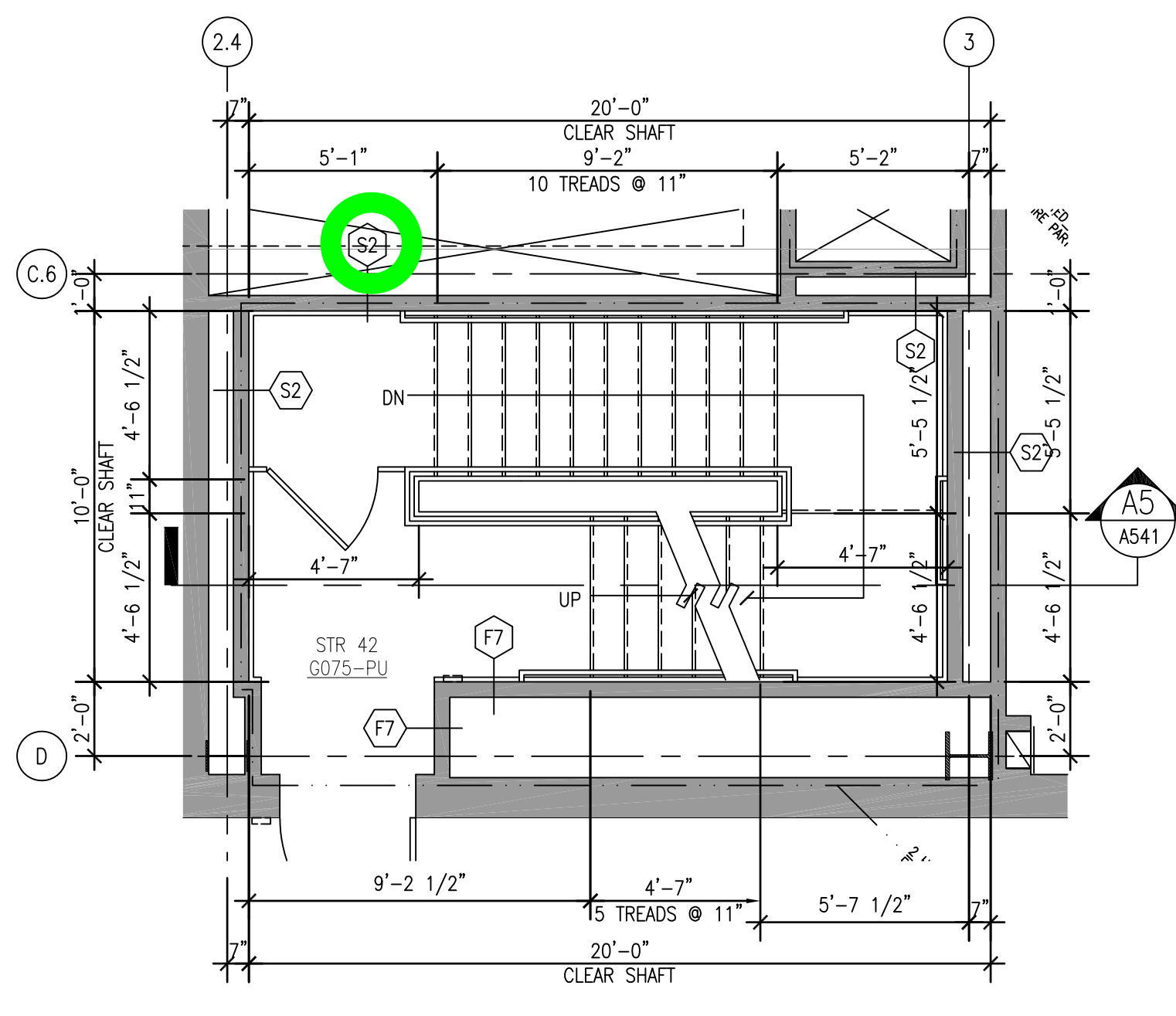
E1 STAIR 43
SECOND FLOOR PLAN
SCALE: 1/4" = 1'-0"



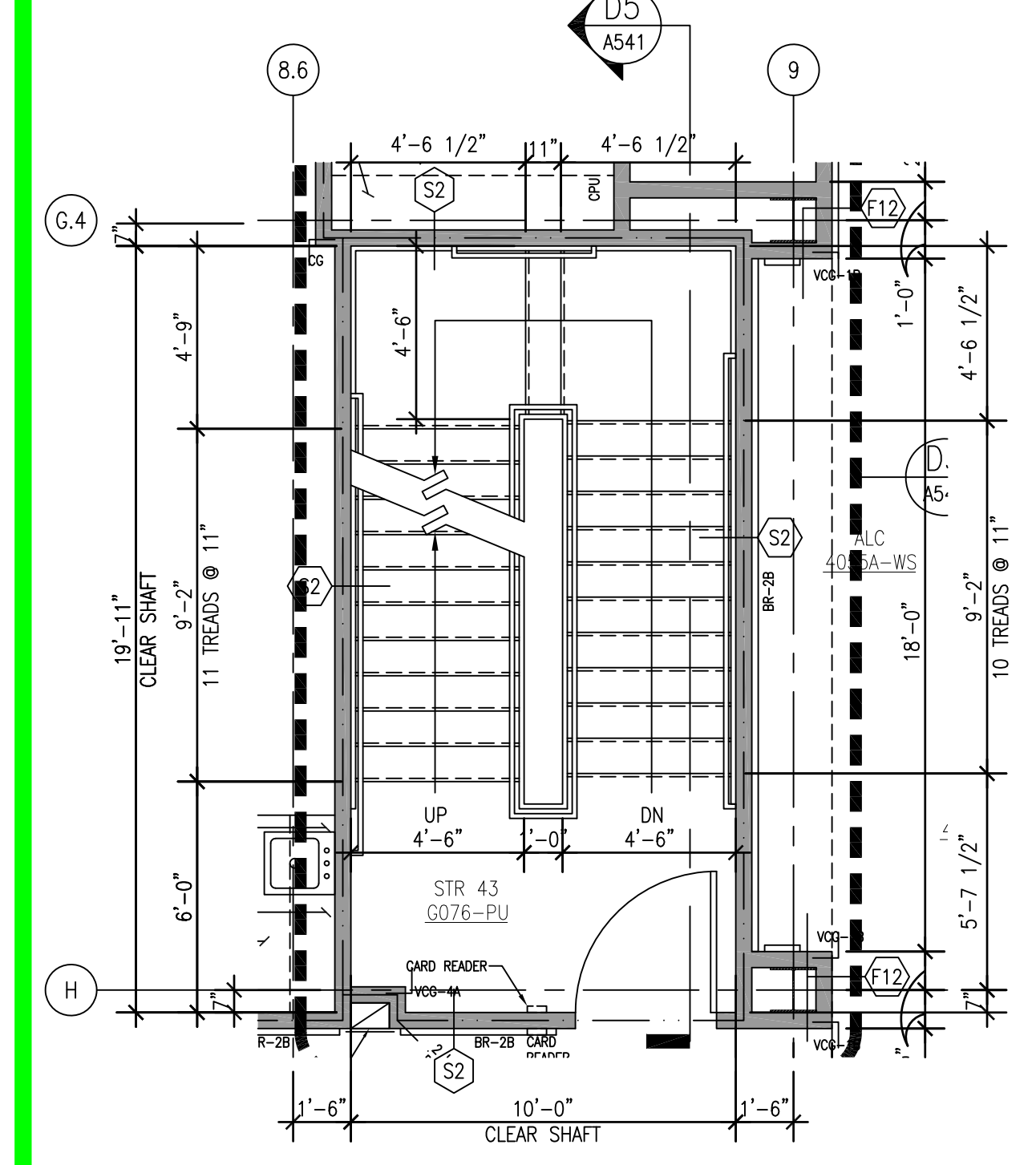
A3 STAIR
THIRD FLOOR PLAN
SCALE: 1/4" = 1'-0"



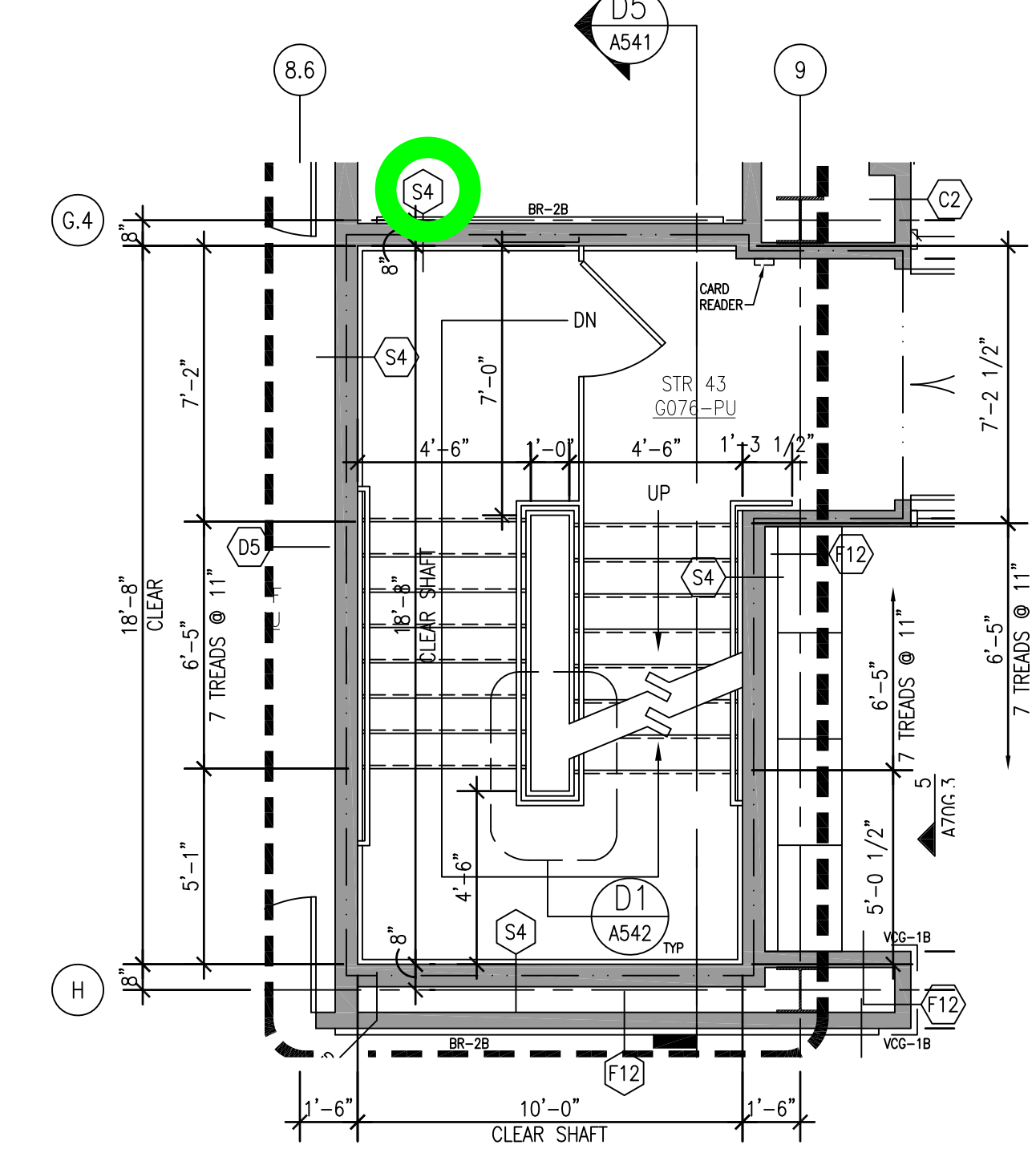
B3 STAIR 42
THIRD FLOOR PLAN
SCALE: 1/4" = 1'-0"



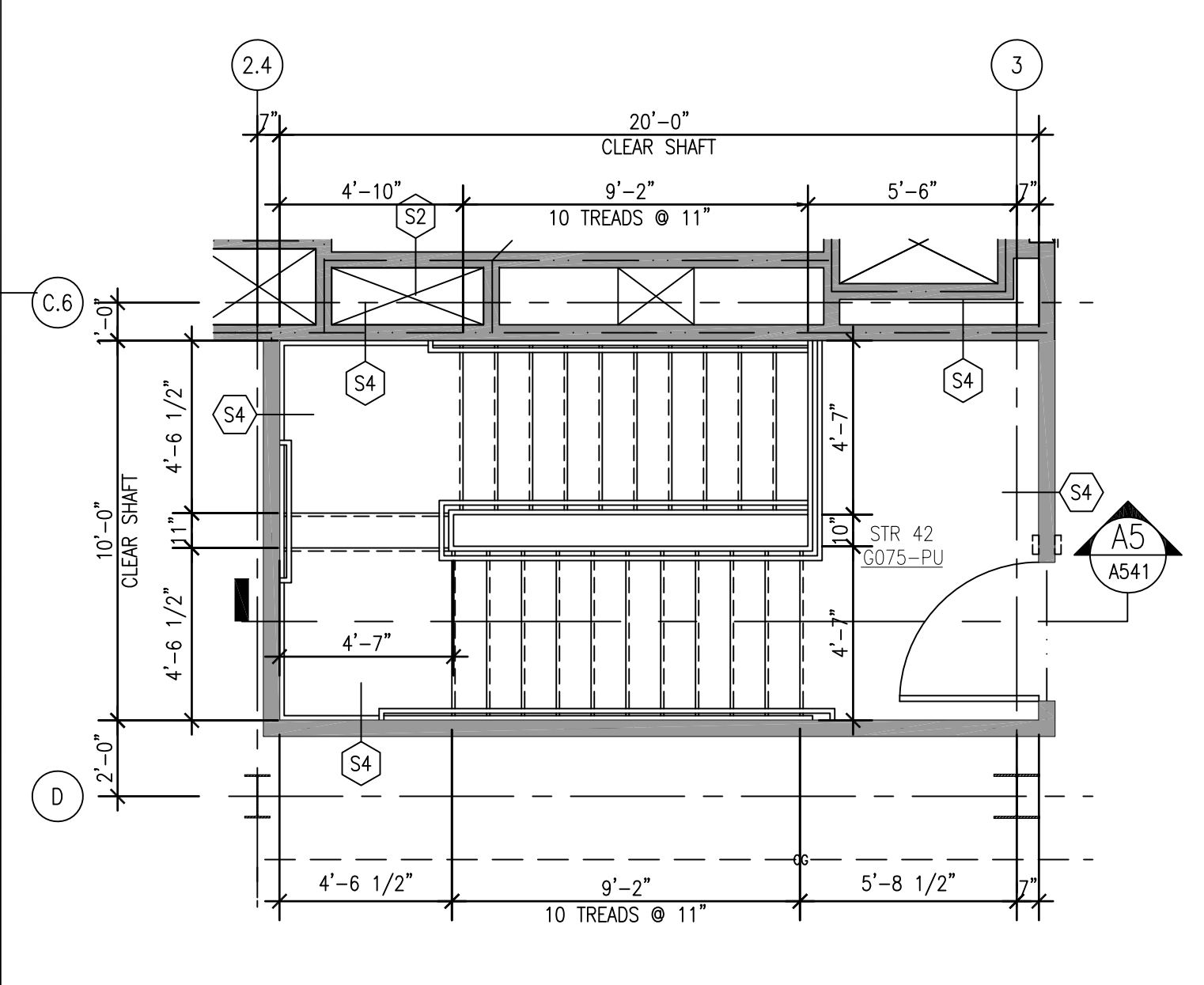
C3 STAIR 42
BASEMENT PLAN
SCALE: 1/4" = 1'-0"



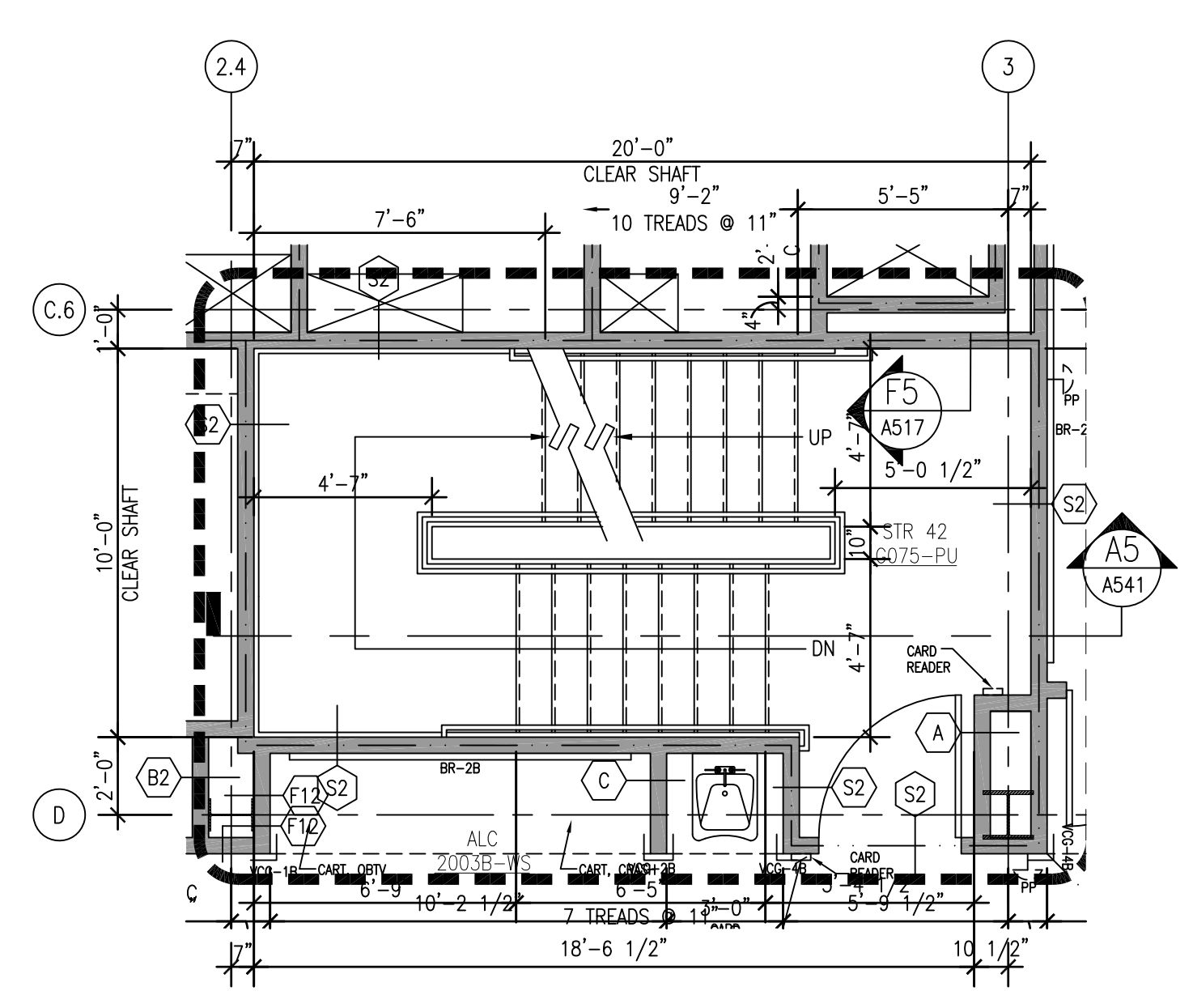
D3 STAIR 43
FOURTH FLOOR PLAN
SCALE: 1/4" = 1'-0"



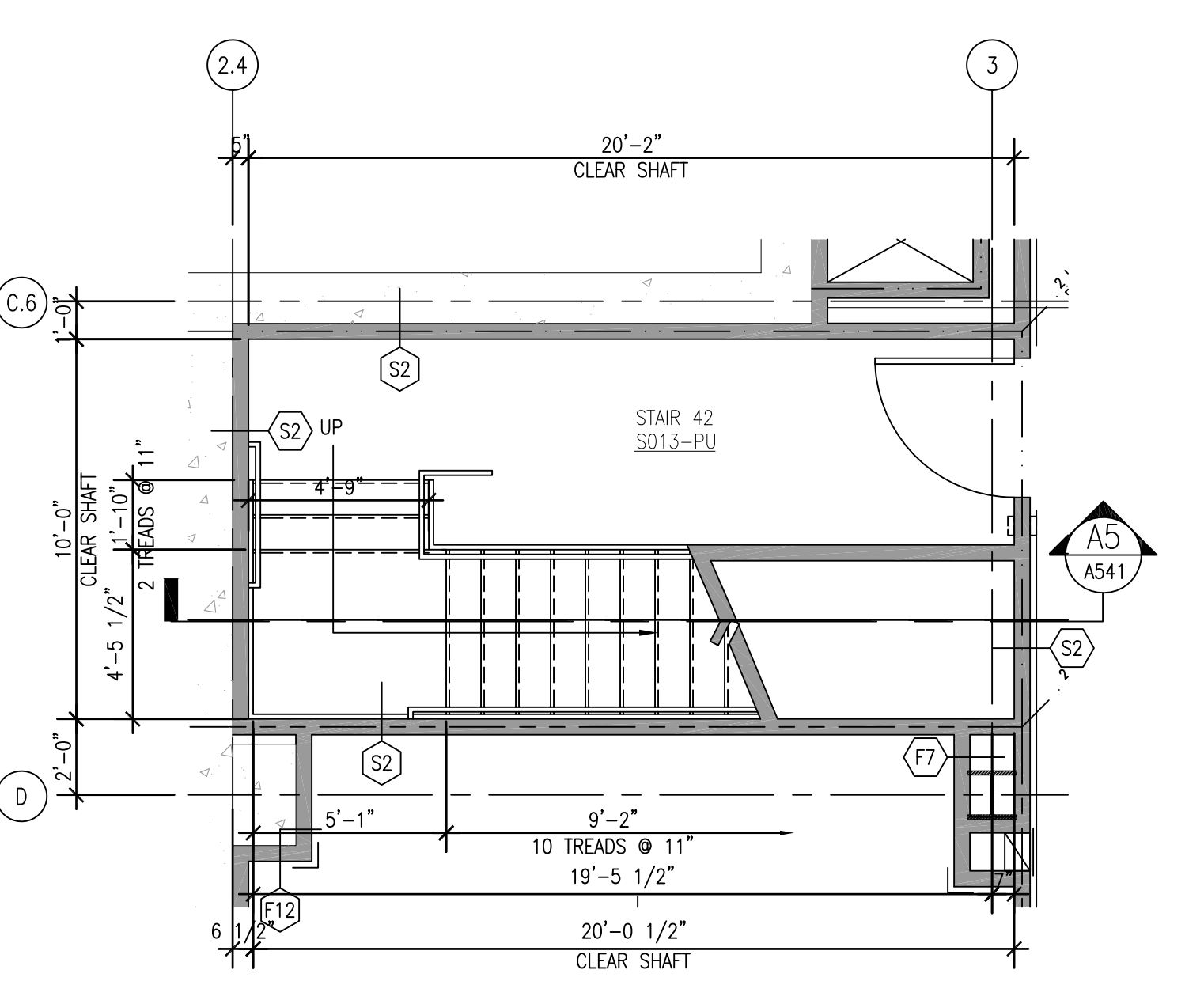
E3 STAIR 43
GROUND FLOOR PLAN
SCALE: 1/4" = 1'-0"



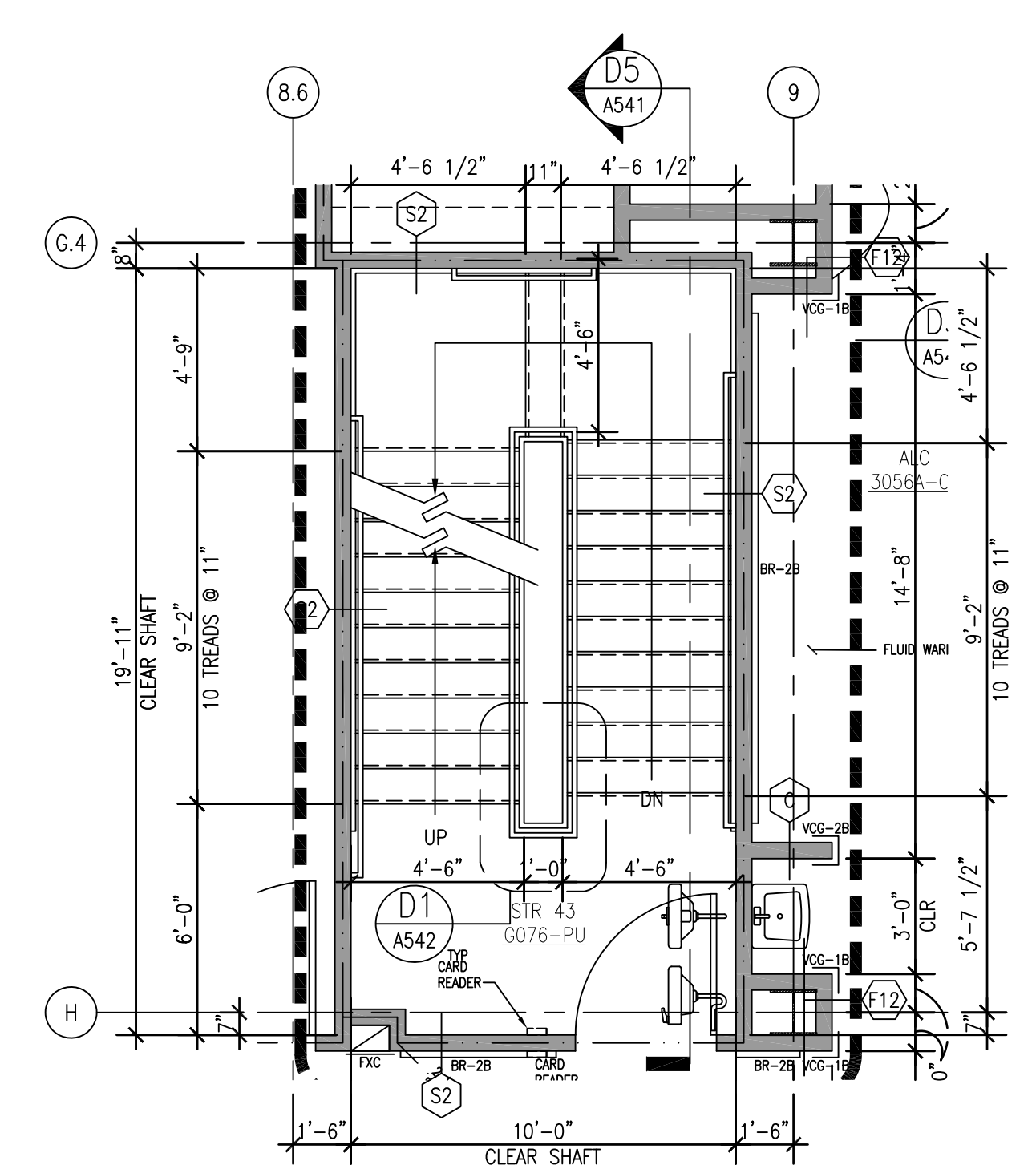
A5 STAIR 42
FIFTH FLOOR PLAN
SCALE: 1/4" = 1'-0"



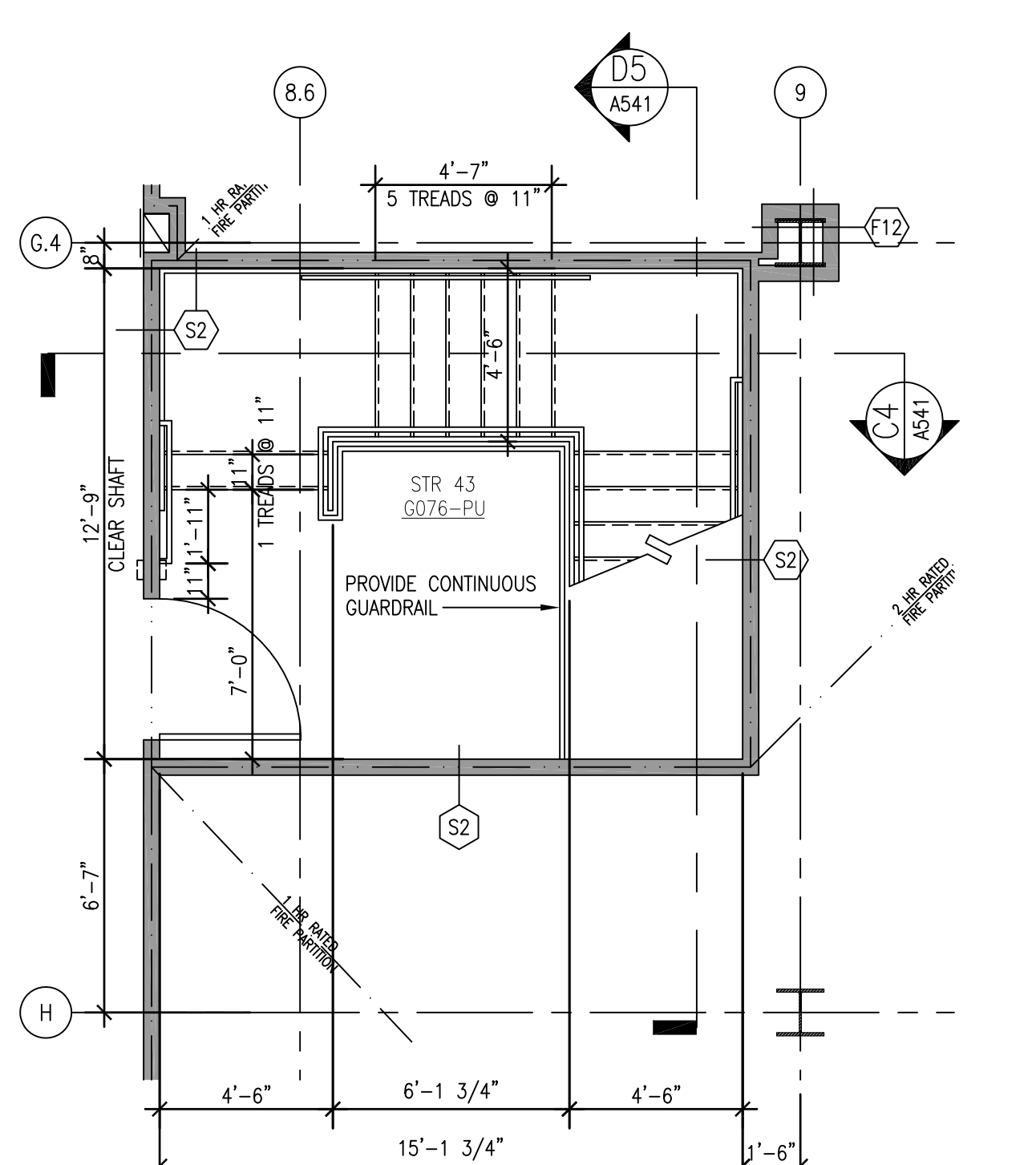
B5 STAIR 42
SECOND FLOOR PLAN
SCALE: 1/4" = 1'-0"



C5 STAIR 42
SUB-BASEMENT PLAN
SCALE: 1/4" = 1'-0"



D5 STAIR 43
THIRD FLOOR PLAN
SCALE: 1/4" = 1'-0"



E5 STAIR 43
BASEMENT PLAN
SCALE: 1/4" = 1'-0"

REV	ISSUE DATE	DESCRIPTION
01	01/26/06	PERMIT SET - NOT FOR CONSTRUCTION
02	01/26/06	ADDENDUM NUMBER 03 - PACKAGE H
03	04/28/06	ADDENDUM NUMBER 05 - PACKAGE H
04	11/09/06	BULLETIN NUMBER 09 - PACKAGE H

Key Plan

Drawing Title
ENLARGED STAIR PLANS

Commission No.	AS NOTED	Date Issued
Scale	B/S	Sheet Number
Drawn By	JW	A540
Approved By		
Filename	48734540.dwg	