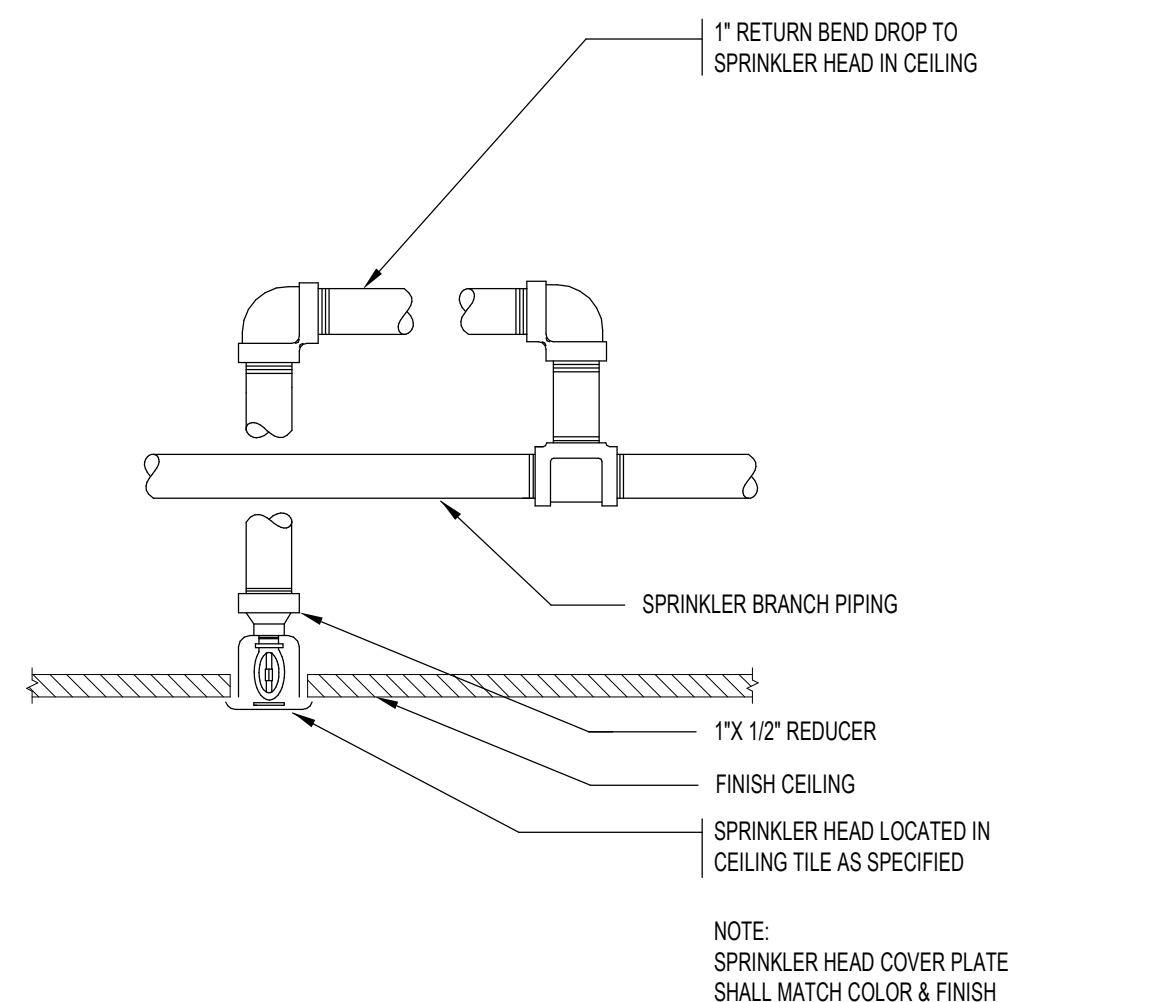
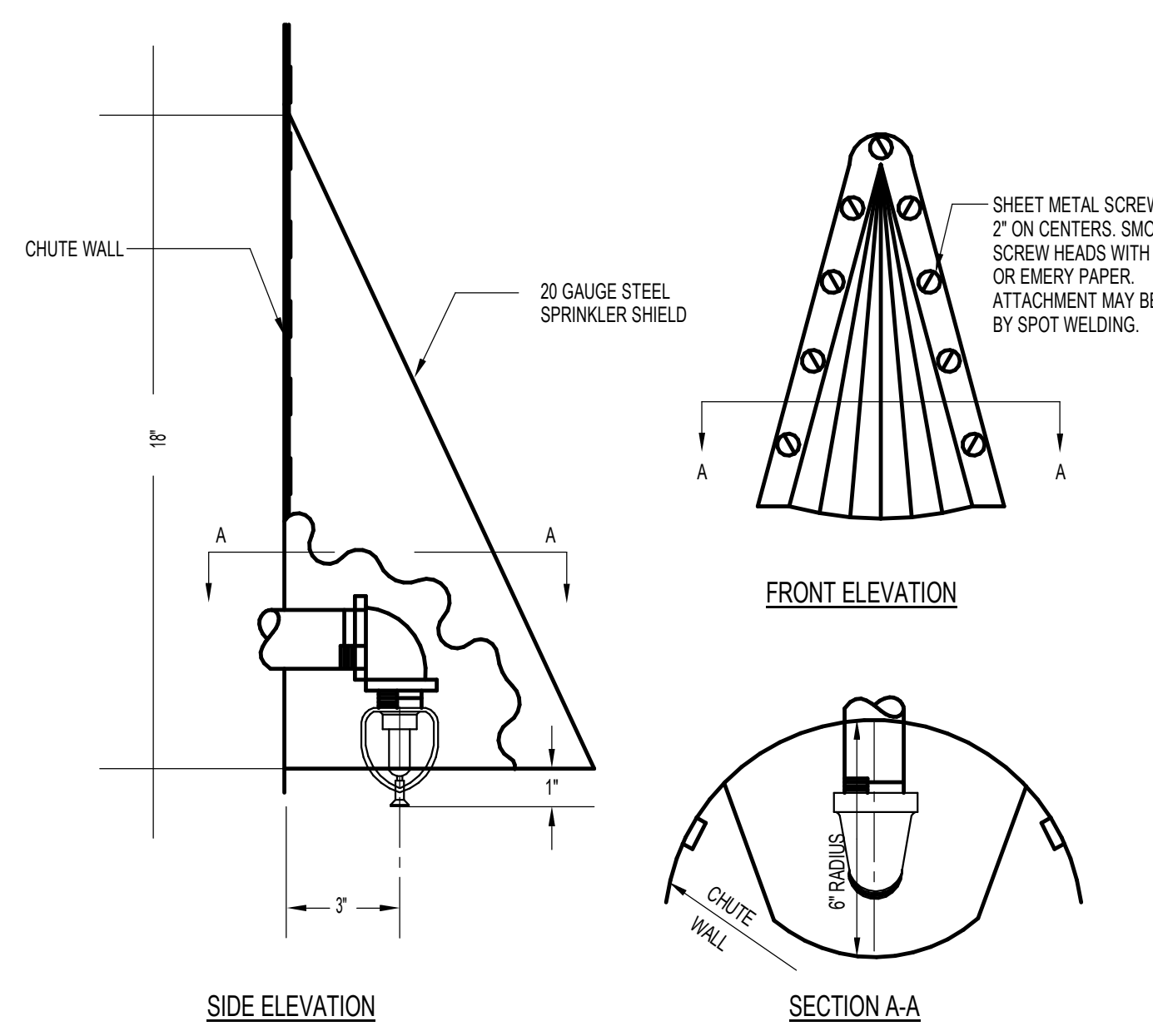


- A. Flow Control Valve and Pressure Regulating Trim
- B. In-line Balanced Pressure Proportioner
- C. Meter/Control Concentrate Control Valve
- D. Deluge Valve and Conventional Trim
- E. Ratio Flow Controller
  - 1. Foam Concentrate Shut-off Valve
  - 2. Water Supply Control Valve
  - 3. Priming Line
  - 4. CCV Priming Pressure Gauge
  - 5. Solution Test Valve
  - 6. System Isolation Valve
  - 7. Concentrate Auxiliary Drain Valve
- 8. Bladder Tank Water Supply Control Valve
- 9. Concentrate Manual Drain Valve
- 10. Foam Concentrate Pressure Gauge
- 11. 1/2" Ball Valve - NORMALLY OPEN
- 12. 1/2" Strainer
- 13. 1/2" Spring Loaded Check Valve
- 14. Restricted Orifice 1/2"
- 15. PORV
- 16. 1/2" PORV Water Supply Ball Valve - NORMALLY OPEN
- 17. Diaphragm Concentrate Vent Valve - NORMALLY CLOSED
- 18. Concentrate Swing Check Valve

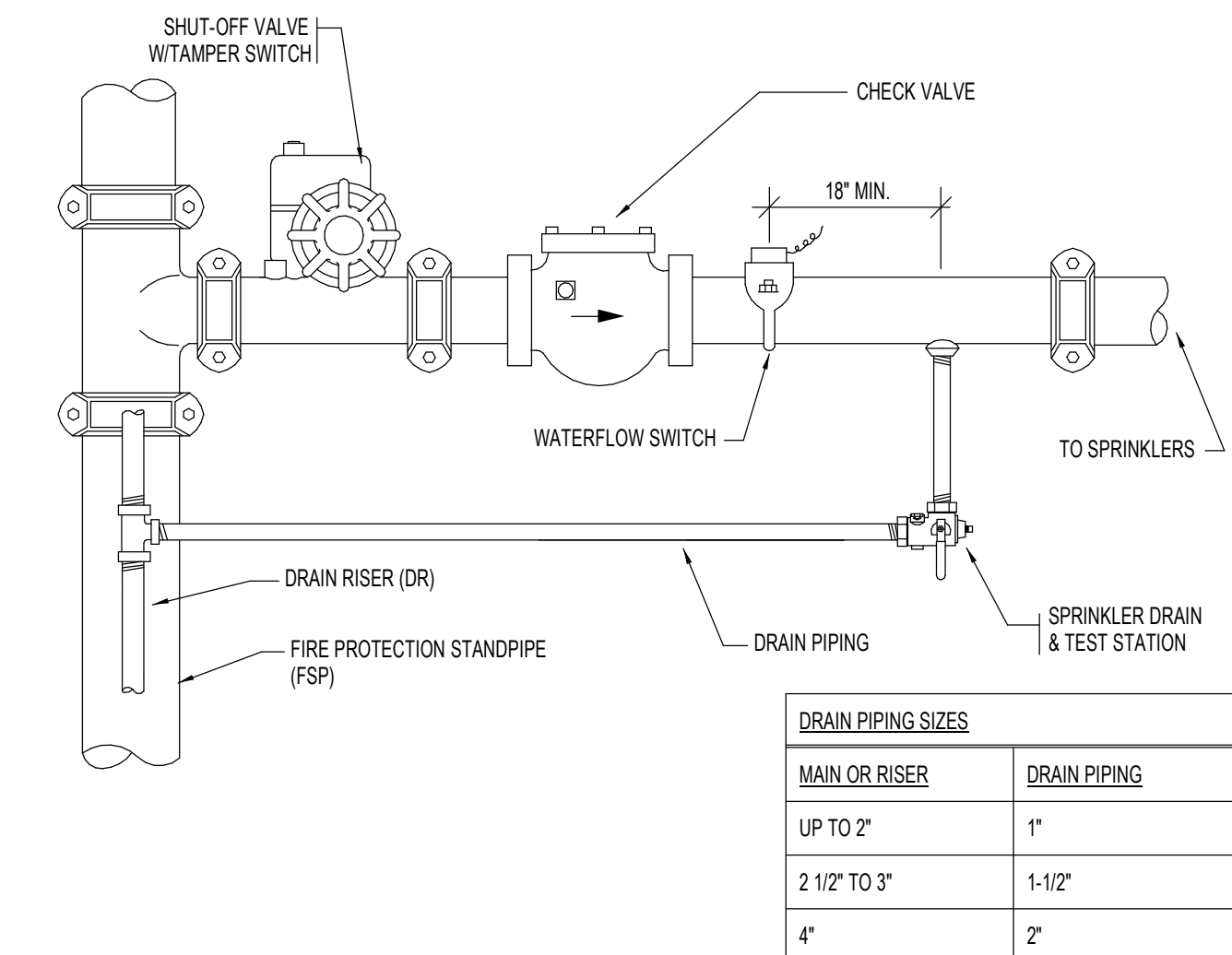
**11** MULTIPLE PILOT PRESSURE REGULATING FOAM SYSTEMS AND DELUGE FOAM SYSTEM SUPPLIED FROM BLADDER TANK  
SCALE: NONE



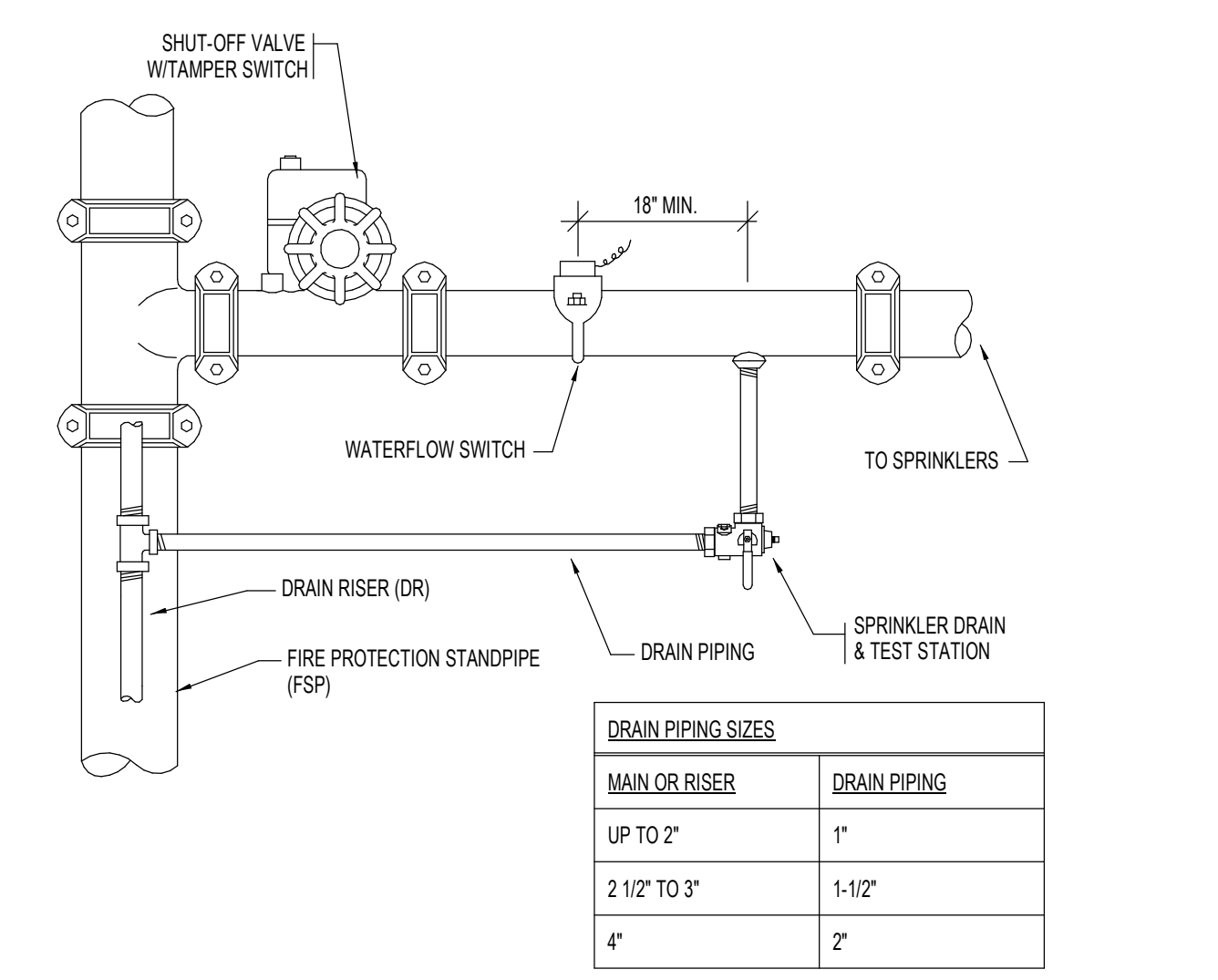
**10** TYPICAL CONCEALED SPRINKLER HEAD RETURN BEND DROP  
SCALE: NONE



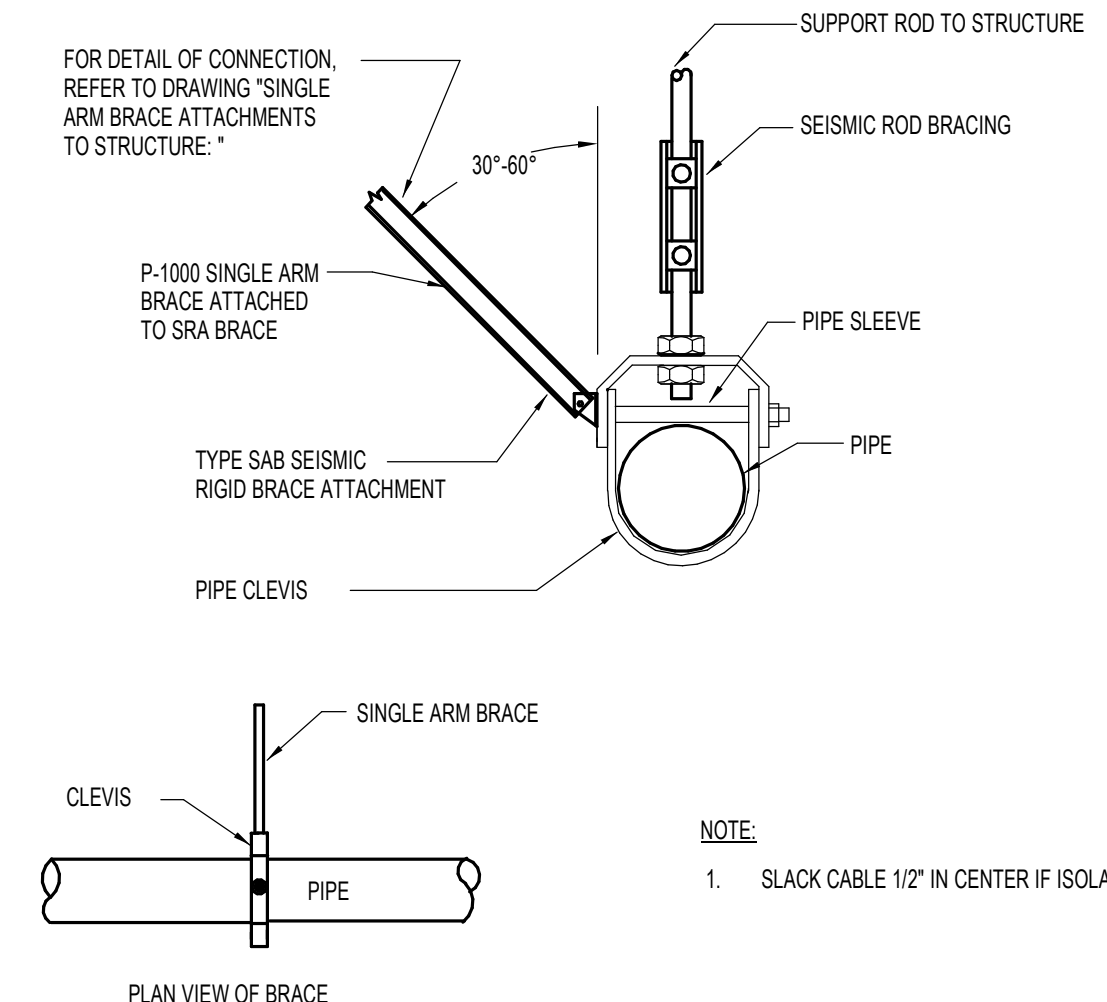
**9** SPRINKLER HEAD IN CHUTE  
SCALE: NONE



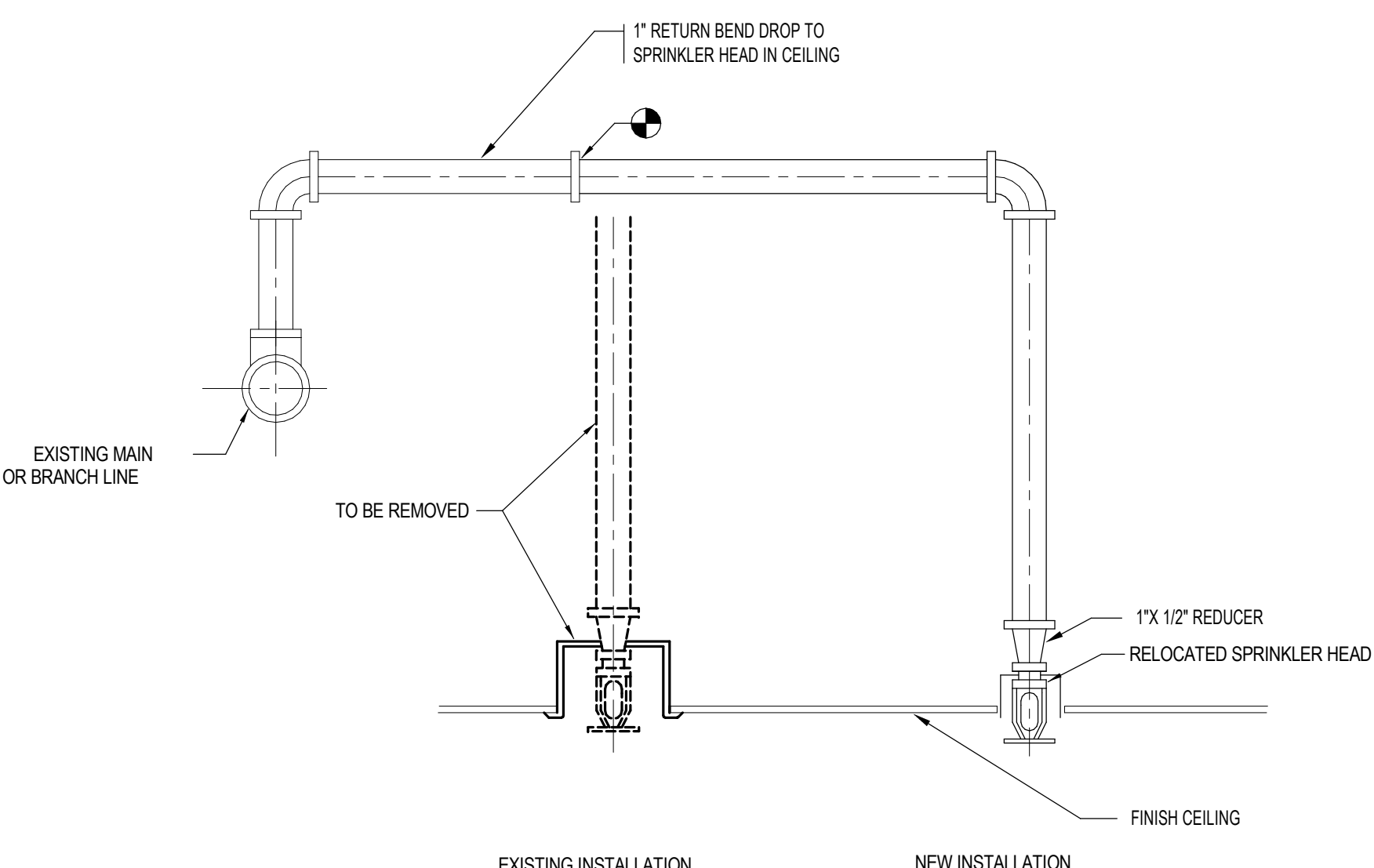
**8** FLOOR CONTROL VALVE ASSEMBLY (FCVA-B)  
SCALE: NONE



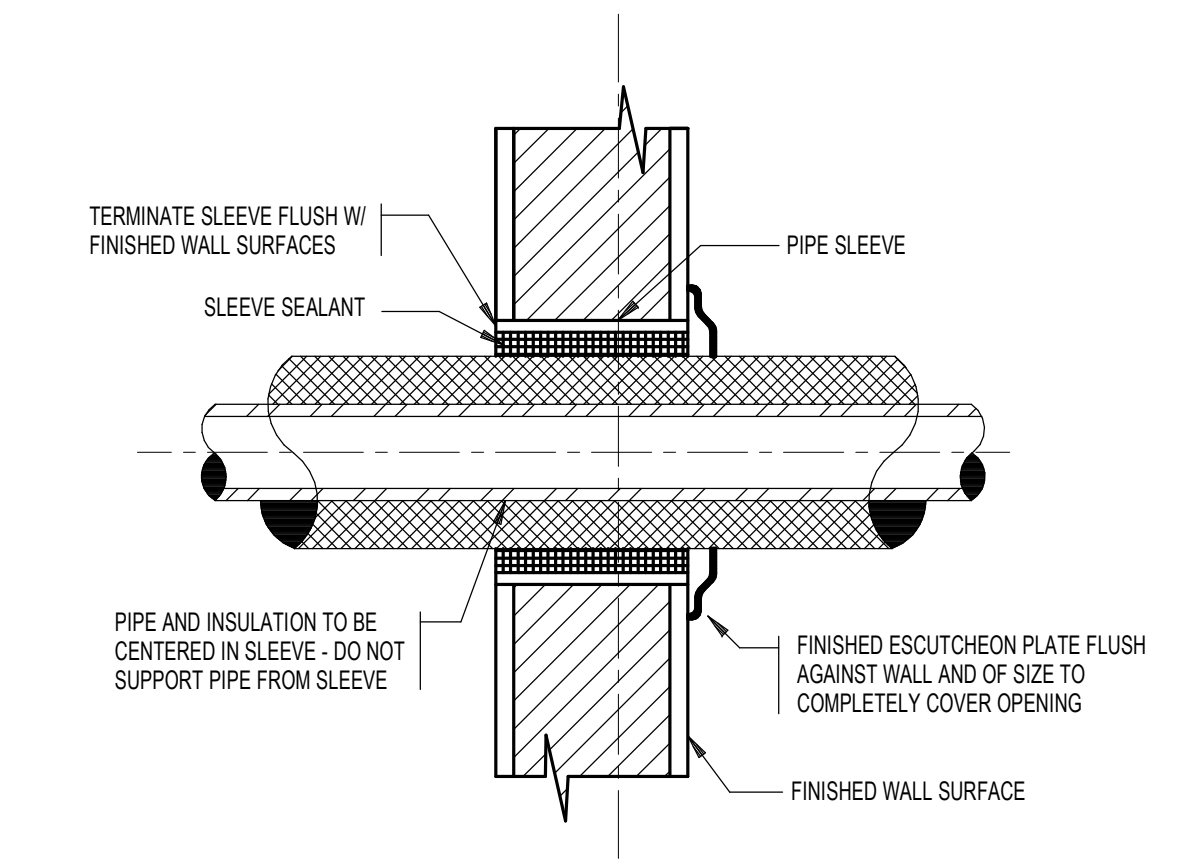
**7** FLOOR CONTROL VALVE ASSEMBLY (FCVA-A)  
SCALE: NONE



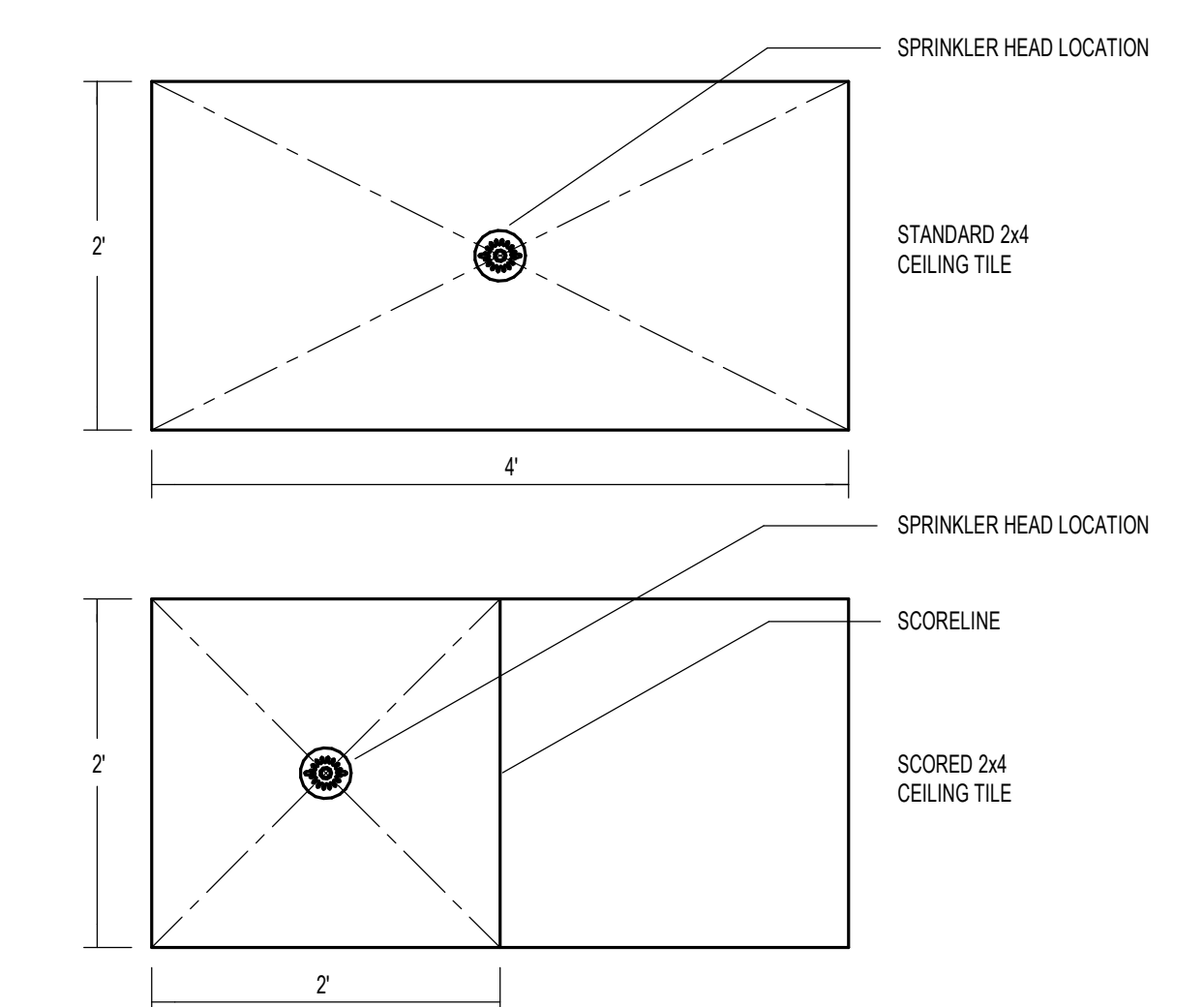
**6** TRANSVERSE ARM BRACE FOR CLEVIS HUNG PIPING  
SCALE: NONE



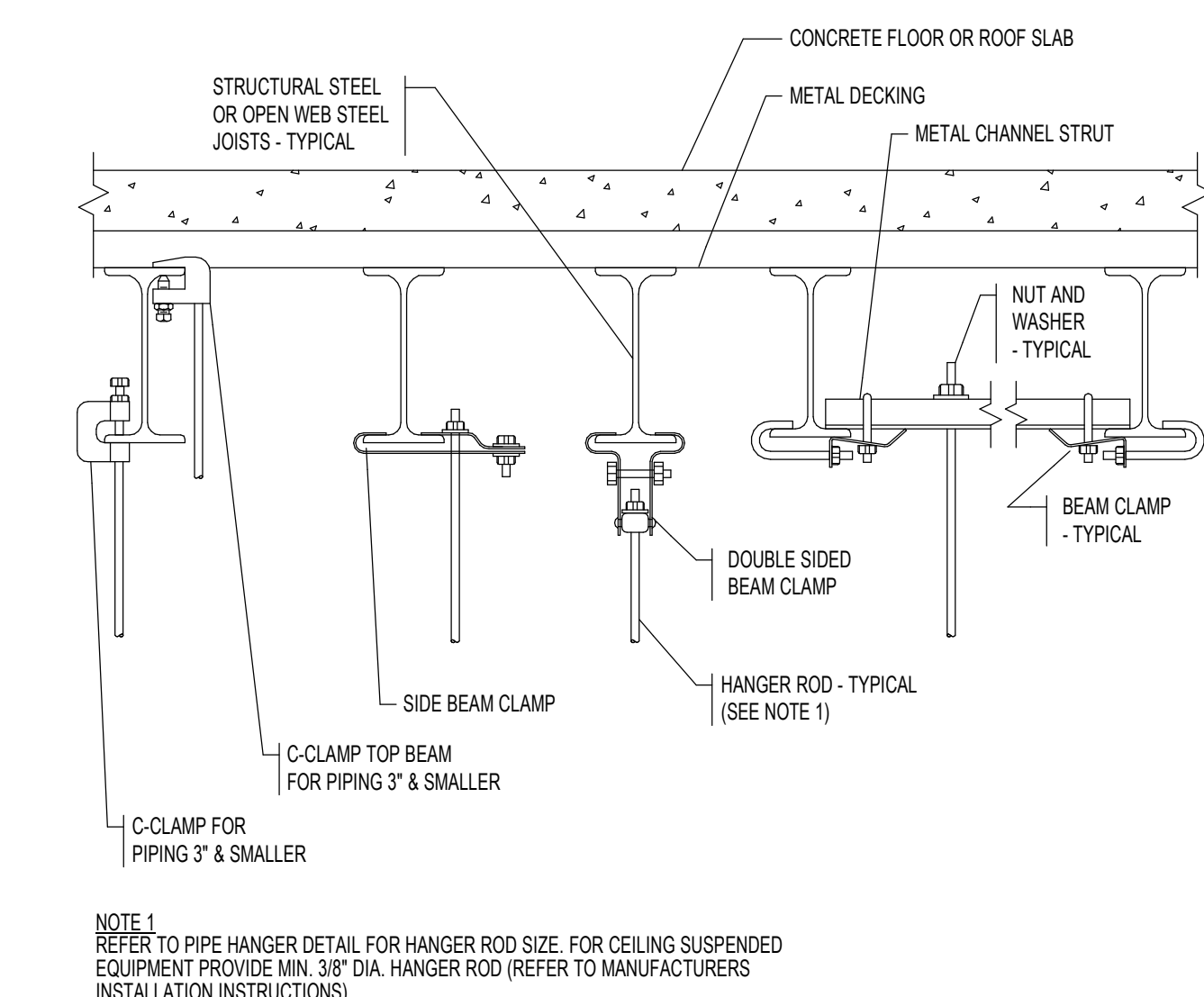
**5** TYPICAL SPRINKLER HEAD RELOCATION  
SCALE: NONE



**4** PIPE SLEEVE THRU INTERIOR WALL  
SCALE: NONE



**3** LOCATION OF SPRINKLER HEADS IN CEILING PANELS  
SCALE: NONE



**2** TYPICAL METHODS OF SECURING HANGER RODS TO STRUCTURAL STEEL DETAIL  
SCALE: NONE

HANGER ROD SCHEDULE		HANGER ROD SPACING	
PIPE SIZE	ROD SIZE	PIPE SIZE	MAX. ALLOWABLE SPACING
UP TO 2"	3/8" DIA.	1"	7'
2 1/2" THRU 3"	1/2" DIA.	1 1/4"	8'
4" AND 5"	5/8"	1 1/2"	9'
6" THRU 8"	3/4"	2"	10'
10"	7/8"	2 1/2"	11'
12"	1"	3" THRU 3"	12'
		15" & 12"	15'

**1** PIPE HANGER INSTALLATION DETAIL  
SCALE: NONE

**PERKINS + WILL**  
225 Franklin Street, Suite 1100  
Boston, MA 02110  
617.478.0300  
617.478.0321  
www.perkinswill.com

CLIENT  
**Maine Medical Center**  
MaineHealth

22 Bramhall Street  
Portland, ME 04102

CONSULTANTS  
CIVIL/LANDSCAPE ARCHITECT  
**Sebago Technics**  
75 John Roberts Road, Suite  
1A, South Portland, ME 04106  
STRUCTURAL/ENR/BUILDING ENVELOPE CONSULTANT  
**Simpson Gumpertz & Hager Inc.**  
41 Sevon Street, Building 1, Suite 570,  
Waltham, MA 02453  
MEP/ELECTRICAL ENGINEER  
**AKF Group LLC**  
99 Bedford Street, 2nd Floor, Boston, MA 02111  
CONSTRUCTION MANAGER  
**Turner Construction**  
2 Seaport Lane, Suite 200, Boston, MA 02210  
ELEVATOR CONSULTANT  
**VDA (Van Dusen & Associates)**  
101 Summer Street, 4th Floor, Boston, MA  
02110  
COST ESTIMATOR  
**D. G. Jones International**  
3 Baldwin Green Common, Suite 202, Woburn, MA 01801

PROJECT TITLE  
**East Tower 6 & 7 Addition**  
22 Bramhall Street  
Portland, ME 04102

STATE OF MAINE  
REGISTERED PROFESSIONAL ENGINEER  
PETER J. REILLY  
NO. 12356

KEY PLANS  
PROJECT KEY PLAN  
1 - EAST TOWER  
2 - RICHARDS BUILDING  
TRUE NORTH

OVERALL KEY PLAN  
1 - GILMAN GARAGE  
2 - CONGRESS STREET  
3 - VISITOR GARAGE  
4 - EAST TOWER  
5 - CENTRAL UTILITY PLANT  
6 - BEAN BUILDING  
7 - RICHARDS BUILDING  
8 - MAINE GENERAL BUILDING  
TRUE NORTH

CONSTRUCTION DOCUMENTS  
JANUARY 28, 2018

NO.	ISSUE	DATE
	Job Number	B150312-000
	Drawn	DOC
	Checked	PIR
	Approved	PIR

TITLE  
**FIRE PROTECTION DETAILS**  
SHEET NUMBER  
**F00-11**  
Copyright 2017 © Perkins+Will