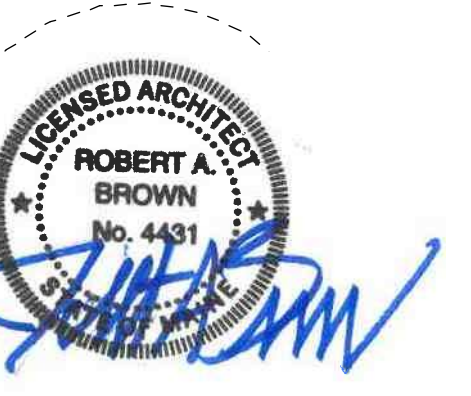


CONSULTANTS

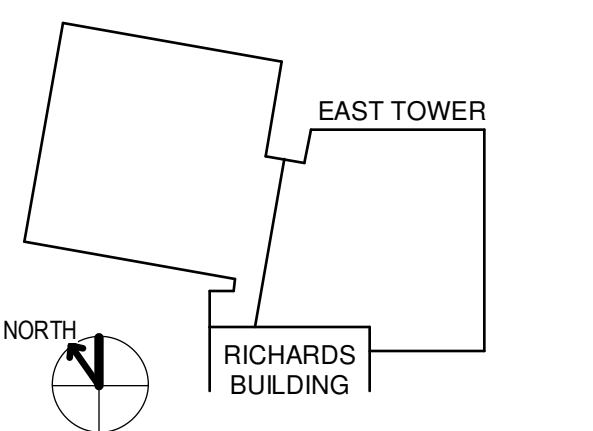
- CVL LANDSCAPE ARCHITECT**
 Sebago Technics
 75 John Roberts Road, Suite
 1A, South Portland ME 04106
- STRUCTURAL ENG. BUILDING ENVELOPE CONSULTANT**
 Simpson Gumpertz & Heger Inc.
 41 Seven Street, Building 1, Suite 500,
 Waltham MA 02453
- MERFP ENGINEER CODE**
 AKF Group LLC
 99 Bedford Street, 2nd Floor, Boston MA 02111
- CONSTRUCTION MANAGER**
 Turner Construction
 2 Seaport Lane, Suite 200, Boston MA 02210
- ELEVATOR CONSULTANT**
 VDA (Van Dusen & Associates)
 101 Summer Street, 4th Floor, Boston MA
 02110
- COST ESTIMATOR**
 D. G. Jones International
 3 Baldwin Green Common, Suite 202, Woburn MA 01801

PROJECT TITLE

**East Tower 6 & 7
 Addition**
 22 Bramhall Street
 Portland ME 04102



KEY PLANS



- OVERALL KEY PLAN**
- GILMAN GARAGE
 - CONGRESS STREET
 - VISITOR GARAGE
 - EAST TOWER
 - CENTRAL UTILITY PLANT
 - BEAN BUILDING
 - RICHARDS BUILDING
 - MAINE GENERAL BUILDING



CONSTRUCTION DOCUMENTS
 JANUARY 26, 2018

| | | |
|------------|----------------|---------|
| 1 | ADDENDUM NO. 2 | 3/29/18 |
| NO | ISSUE | DATE |
| Job Number | 152181.000 | |
| Drawn | TEAM | |
| Checked | JK | |
| Approved | JK | |

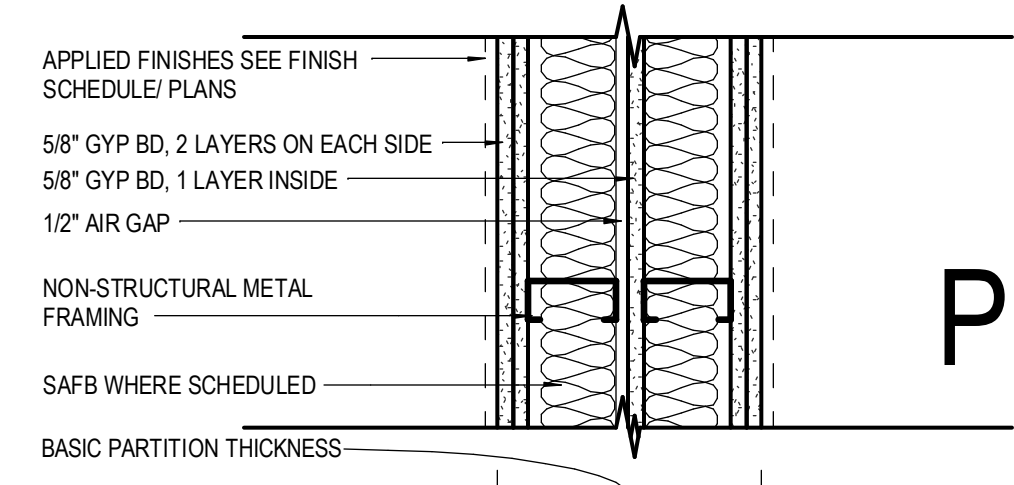
**INTERIOR
 PARTITION TYPES**

SHEET NUMBER

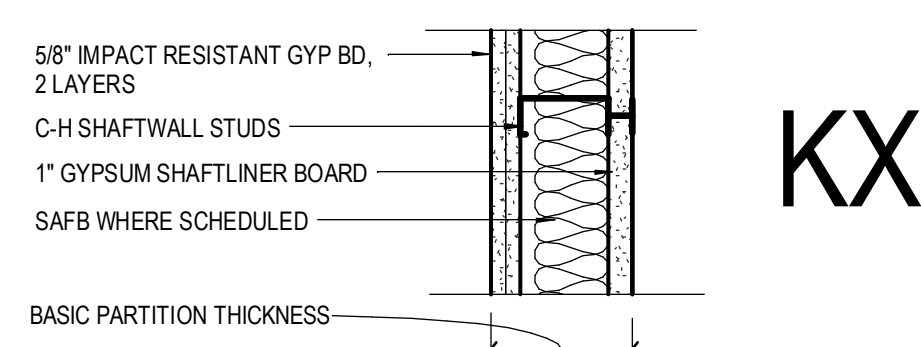
A61-01

**PARTITION TYPES
 GENERAL NOTES**

- REFER TO FLOOR PLAN A11 SERIES FOR LOCATION OF PARTITION TYPES. NOT ALL PARTITION TYPES SHOWN ARE UTILIZED.
 - WHEN BLOCKING REQUIRED IN A PARTITION, USE A MINIMUM 0.31" (20 GA) STUD.
 - "LINE OF STRUCTURE" AS SHOWN AT THE HEAD CONDITIONS OF THE PARTITION DETAIL DOES NOT INDICATE THE EXACT CONSTRUCTION CONDITION. SEE 1A61-11 FOR ADDITIONAL INFORMATION CONCERNING RATED PARTITIONS.
 - ISOLATE NON-LOAD BEARING FRAMING FROM STRUCTURAL ELEMENTS TO PREVENT THE TRANSFER OF LOAD TO PARTITION FRAMING. STOP STUDS, 3/4" BELOW METAL RUNNER (TOP TRACK) TO ALLOW FOR VERTICAL EXPANSION. SET TOP TRACK 1" BELOW DEFLECTION TRACK. DO NOT ATTACH STUDS TO TOP TRACK. DO NOT ATTACH GYPSUM BOARD TO THE DEFLECTION TRACK.
- FIRE RATED PARTITIONS**
- REFER TO A61-11 FOR ADDITIONAL INFORMATION ON PENETRATIONS THRU RATED PARTITIONS, FIRE RESISTANT JOINT SYSTEMS, AND SLIP TRACKS AT NON-BEARING PARTITIONS.
 - ACoustICAL (THE FOLLOWING NOTES APPLY TO ALL PARTITIONS DESIGNATED TO HAVE A SOUND TRANSMISSION CLASS (STC) RATING ON THE PARTITION CHARTS.)
 - ALL ACoustICALLY CLASSED PARTITIONS SHALL BE CONSTRUCTED IN ACCORDANCE TO THE REFERENCED TEST.
 - STAGGER AND SEAL ALL JOINTS ON MULTIPLE GYPSUM BOARD LAYER PARTITIONS.
 - SEAL PARTITIONS AIR TIGHT AT FLOORS, SIDES, AND CEILINGS ON BOTH SIDES WITH NON-HARDENING ACoustICAL SEALANT IN ACCORDANCE WITH REFERENCED TEST.
 - ALL BATTS AND BLANKETS IN RATED PARTITIONS MUST BEAR THE REQUIRED UL CLASSIFICATION MARKING AS TO FIRE-RESISTANCE.
 - AVOID COMPRESSING ACoustICAL BATT INSULATION AT BLOCKING AND RECESSED ITEMS IN ACoustIC RATED WALLS.
 - SEAL ALL WALL INTERSECTIONS AND CONTROL JOINTS AT ACoustICALLY CLASSED PARTITIONS IN ACCORDANCE WITH SPECIFICATIONS.
 - SEAL ALL CONDUIT, STRUCTURAL, DUCT AND LARGE PIPE PENETRATIONS UNLESS THE PARTITION IS FIRE RATED. IF PARTITION IS FIRE RATED THEN REFER TO A61-11.
 - OUTLETS ON OPPOSITE SIDES OF ACoustICALLY CLASSED PARTITIONS SHOULD BE SEPARATED BY A MINIMUM OF ONE STUD. SEAL OUTLETS UNLESS THE PARTITION IS FIRE RATED. IF PARTITION IS FIRE RATED THEN REFER TO A61-11.
 - ALL BOXES REQUIRED TO BE ACoustICALLY SEALED SHALL BE SEALED PRIOR TO CLOSING IN PARTITIONS AND INSTALLING DEVICES AND COVER PLATES.

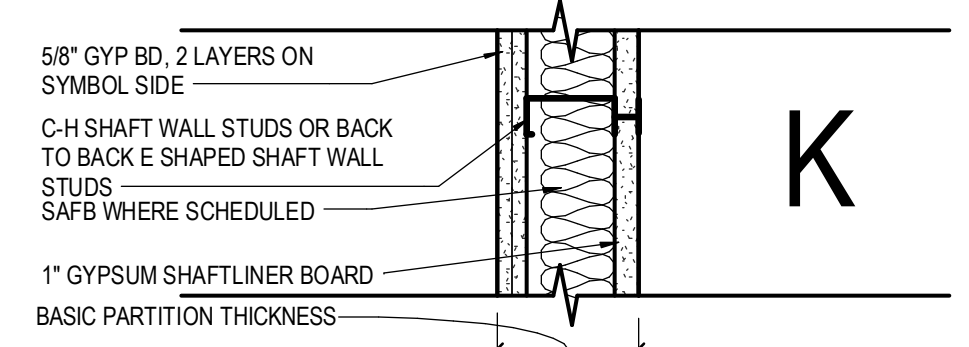


| | P1 | P2 |
|--|--------------------------|-----------------|
| NON-RATED WITH GYP BD TO STRUCTURE ABOVE | P91 | P92 |
| STUD SIZE | 3/8" | 3/8" |
| GB THICKNESS | 5/8" | 5/8" |
| BASIC PARTITION THICKNESS | 1 1/2" | 1 1/2" |
| ACoustICAL INSULATION | YES (2) | YES (2) |
| ACoustICAL TEST NUMBER | SM TO UL-76-195 | SM TO UL-76-195 |
| REMARKS | INSULATION ON BOTH SIDES | |



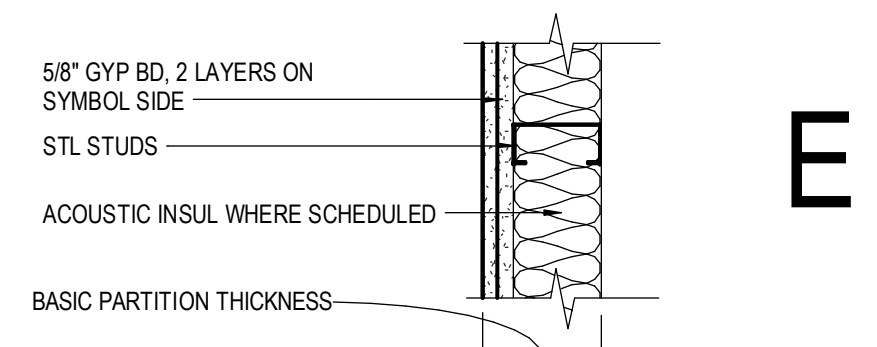
| | KX1 | KX2 | KX3 | KX4 | KX5 | KX6 |
|-----------------------|-------------|-------------|-------------|-------------|-------------|-------------|
| 2-HR RATED SHAFT WALL | KX10 | KX20 | KX30 | KX40 | KX50 | KX60 |
| STUD SIZE | 2 1/2" | 2 1/2" | 4" | 4" | 6" | 6" |
| BASIC PARTITION | 3 3/4" | 3 3/4" | 5 1/4" | 5 1/4" | 7 1/4" | 7 1/4" |
| ACoustICAL INSULATION | - | YES | - | YES | - | YES |
| FIRE TEST NUMBER | UL DES V473 | UL DES V473 | UL DES V473 | UL DES V473 | UL DES V473 | UL DES V473 |

NOTE:
 1. WHEN USING U415(B) OR U438 EITHER MINERAL FIBER OR GLASS FIBER BATTS ARE ACCEPTABLE IN THE STUD CAVITY.



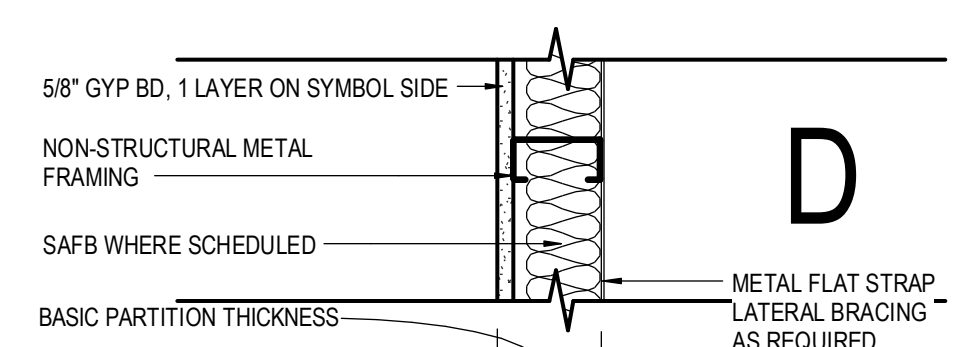
| | K1 | K2 | K3 | K4 | K5 | K6 |
|-----------------------|----------------|----------------|----------------|----------------|----------------|----------------|
| 2-HR RATED SHAFT WALL | K10 | K20 | K30 | K40 | K50 | K60 |
| STUD SIZE | 2 1/2" | 2 1/2" | 4" | 4" | 6" | 6" |
| BASIC PARTITION | 3 3/4" | 3 3/4" | 5 1/4" | 5 1/4" | 7 1/4" | 7 1/4" |
| ACoustICAL INSULATION | - | YES | - | YES | - | YES |
| FIRE TEST NUMBER | UL DES U415(B) | UL DES U415(B) | UL DES U415(B) | UL DES U415(B) | UL DES U415(B) | UL DES U415(B) |

NOTE:
 1. WHEN USING U415(B) OR U438 EITHER MINERAL FIBER OR GLASS FIBER BATTS ARE ACCEPTABLE IN THE STUD CAVITY.

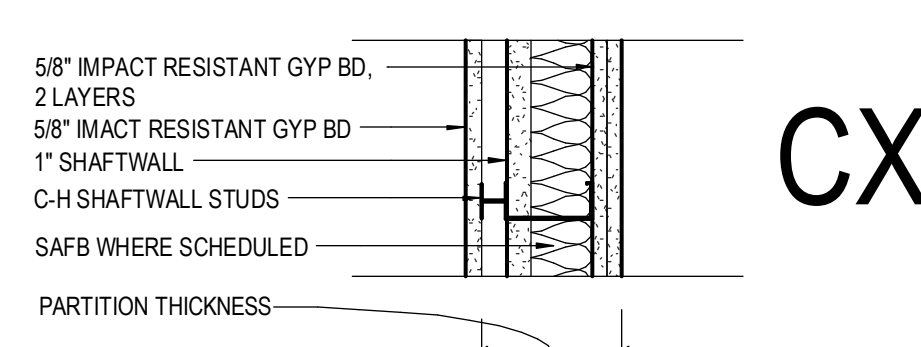


| | E1 | E2 | E3 | E4 | E5 | E6 | E7 | E8 | E9 | E10 | E11 | E12 | DETAIL NO |
|---|--------|--------|--------|--------|--------|--------|--------|--------|--------|--------|---------|------|-------------|
| NON-RATED WITH GYP BD TO STRUCTURE ABOVE | E11 | E21 | E31 | E41 | E51 | E61 | E71 | E81 | E91 | E101 | E111 | E121 | 01A-8102 SM |
| NON-RATED WITH GYP BD TO IF ABOVE CEILING | E12 | E22 | E32 | E42 | E52 | E62 | E72 | E82 | E92 | E102 | E112 | E122 | 02A-8102 SM |
| NON-RATED WITH STUDS & GYP BD TO FINISHED CEILING | E13 | E23 | E33 | E43 | E53 | E63 | E73 | E83 | E93 | E103 | E113 | E123 | 03A-8102 SM |
| STUD SIZE | 2 1/2" | 2 1/2" | 3 5/8" | 3 5/8" | 4" | 4" | 6" | 6" | 6" | 6" | 11 1/2" | | |
| BASIC PARTITION THICKNESS | 3 3/4" | 3 3/4" | 4 7/8" | 4 7/8" | 5 1/4" | 5 1/4" | 7 1/4" | 7 1/4" | 7 1/4" | 7 1/4" | 2 3/4" | | |
| ACoustICAL INSULATION THICKNESS | - | 2" | - | 3" | - | 3" | - | 5 1/2" | 1" | - | - | | |
| ACoustICAL TEST NUMBER | NOTE 1 | NOTE 1 | NOTE 1 | NOTE 1 | NOTE 1 | NOTE 1 | NOTE 1 | NOTE 1 | NOTE 1 | NOTE 1 | NOTE 1 | | |

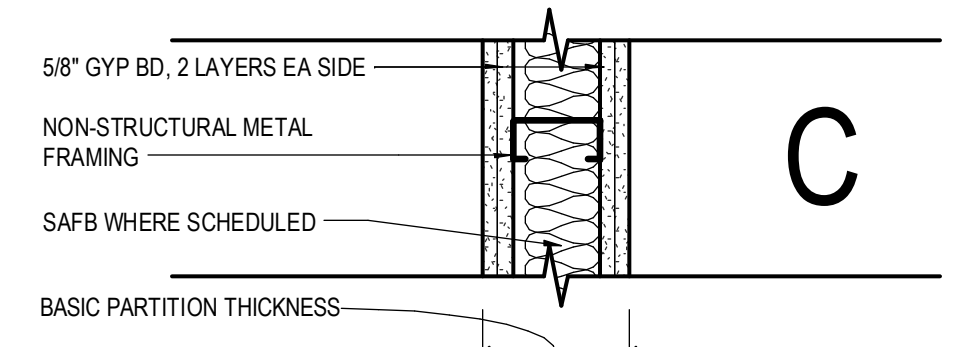
NOTE:
 1. STCS ARE PREDICTED USING THE "INSUL" COMPUTER PROGRAM.
 2. STCS ARE BASED ON 0.918" THICK (26 GA) STUDS.
 3. REFER TO 20A-8102 FOR BRACING.



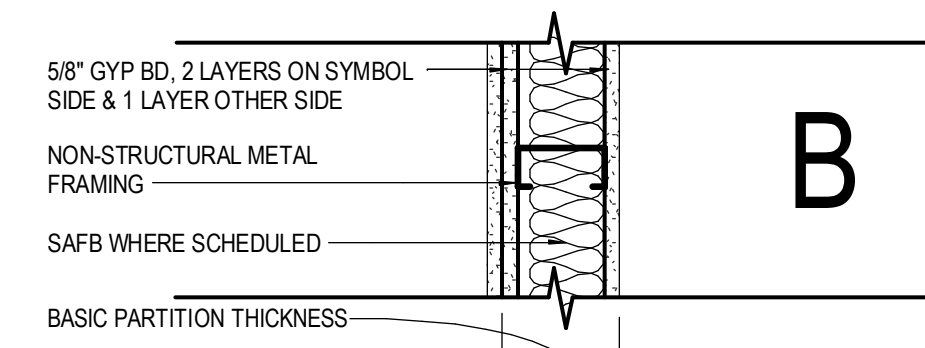
| | D1 | D2 | D3 | D4 | D5 | D6 | D7 | D8 | D9 | D10 | D11 | D12 | DETAIL NO |
|---|--------|--------|--------|--------|--------|--------|--------|--------|--------|--------|---------|------|-------------|
| NON-RATED WITH GYP BD TO STRUCTURE ABOVE | D11 | D21 | D31 | D41 | D51 | D61 | D71 | D81 | D91 | D101 | D111 | D121 | 15A81-50 SM |
| NON-RATED WITH GYP BD TO IF ABOVE CEILING | D12 | D22 | D32 | D42 | D52 | D62 | D72 | D82 | D92 | D102 | D112 | D122 | 01A61-50 SM |
| NON-RATED WITH STUDS & GYP BD TO FINISHED CEILING | D13 | D23 | D33 | D43 | D53 | D63 | D73 | D83 | D93 | D103 | D113 | D123 | 03A61-50 SM |
| STUD SIZE | 2 1/2" | 2 1/2" | 3 5/8" | 3 5/8" | 4" | 4" | 6" | 6" | 6" | 6" | 11 1/2" | | |
| BASIC PARTITION THICKNESS | 3 1/8" | 3 1/8" | 4 1/4" | 4 1/4" | 4 5/8" | 4 5/8" | 6 5/8" | 6 5/8" | 6 5/8" | 6 5/8" | 2 1/8" | | |
| ACoustICAL INSULATION | - | YES | - | YES | - | YES | - | YES | - | YES | YES | | |



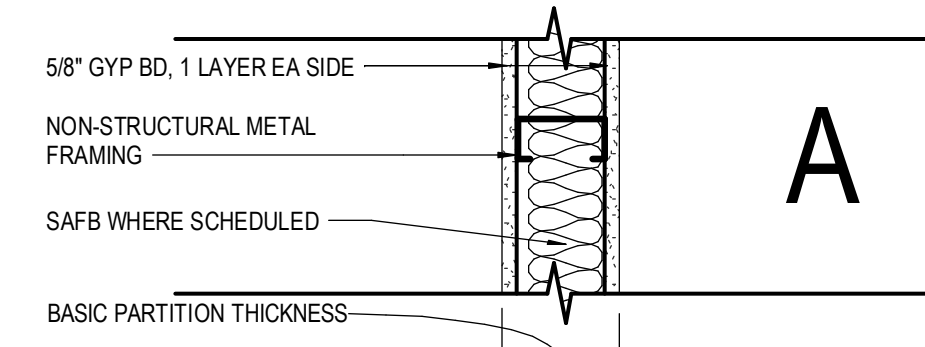
| | CX1 | CX2 |
|---|-------------|-------------|
| 2-HR RATED WITH GYP BD TO STRUCTURE ABOVE | CX40 | CX57 |
| STUD SIZE | 3 5/8" | 3 5/8" |
| BASIC PARTITION THICKNESS | 6 1/2" | 6 1/2" |
| ACoustICAL INSULATION | YES | YES |
| FIRE TEST NUMBER (WHERE APPLICABLE) | UL DES V473 | UL DES V473 |



| | C1 | C2 | C3 | C4 | C5 | C6 | C7 | C8 | C9 | C10 | C11 | C12 | DETAIL NO |
|---|-------------|-------------|-------------|-------------|-------------|-------------|-------------|-------------|-------------|-------------|-------------|------|-------------|
| 2-HR RATED WITH GYP BD TO STRUCTURE ABOVE | C10 | C20 | C30 | C40 | C50 | C60 | C70 | C80 | C90 | C100 | C110 | C120 | 01A02-01 SM |
| NON-RATED WITH GYP BD TO STRUCTURE ABOVE | C11 | C21 | C31 | C41 | C51 | C61 | C71 | C81 | C91 | C101 | C111 | C121 | 01A02-01 SM |
| STUD SIZE | 2 1/2" | 2 1/2" | 3 5/8" | 3 5/8" | 4" | 4" | 6" | 6" | 6" | 6" | 10 1/2" | | |
| BASIC PARTITION THICKNESS | 5" | 5" | 6 1/8" | 6 1/8" | 6 1/2" | 6 1/2" | 8 1/2" | 8 1/2" | 8 1/2" | 8 1/2" | 2 1/8" | | |
| ACoustICAL INSULATION | - | YES | - | YES | - | YES | - | YES | - | YES | - | | |
| FIRE TEST NUMBER (WHERE APPLICABLE) | UL DES U411 | UL DES U411 | UL DES U411 | UL DES U411 | UL DES U411 | UL DES U411 | UL DES U411 | UL DES U411 | UL DES U411 | UL DES U411 | UL DES U411 | | |



| | B1 | B2 | B3 | B4 | B5 | B6 | B7 | B8 | B9 | B10 | B11 | B12 | DETAIL NO |
|---|--------|-------------|-------------|-------------|-------------|-------------|-------------|-------------|-------------|-------------|-------------|------|-----------|
| 1-HR RATED WITH GYP BD TO STRUCTURE ABOVE | B11 | B21 | B31 | B41 | B51 | B61 | B71 | B81 | B91 | B101 | B111 | B121 | |
| NON-RATED WITH GYP BD TO STRUCTURE ABOVE | B12 | B22 | B32 | B42 | B52 | B62 | B72 | B82 | B92 | B102 | B112 | B122 | |
| STUD SIZE | 2 1/2" | 2 1/2" | 3 5/8" | 3 5/8" | 4" | 4" | 6" | 6" | 6" | 6" | 11 1/2" | | |
| BASIC PARTITION THICKNESS | 4 3/8" | 4 3/8" | 5 1/2" | 5 1/2" | 5 7/8" | 5 7/8" | 7 7/8" | 7 7/8" | 7 7/8" | 7 7/8" | 2 3/4" | | |
| ACoustICAL INSULATION | - | 2" | - | 3" | - | 3" | - | 5 1/2" | 1" | - | - | | |
| FIRE TEST NUMBER (WHERE APPLICABLE) | - | UL DES U448 | UL DES U419 | UL DES U419 | UL DES U419 | UL DES U419 | UL DES U419 | UL DES U419 | UL DES U419 | UL DES U419 | UL DES U419 | | |



| | A1 | A2 | A3 | A4 | A5 | A6 | A7 | A8 | A9 | A10 | A11 | A12 | DETAIL NO |
|---|--------|-------------|-------------|-------------|-------------|-------------|-------------|-------------|-------------|-------------|-------------|------|-----------|
| 1-HR RATED WITH GYP BD TO STRUCTURE ABOVE | A11 | A21 | A31 | A41 | A51 | A61 | A71 | A81 | A91 | A101 | A111 | A121 | |
| NON-RATED WITH GYP BD TO STRUCTURE ABOVE | A12 | A22 | A32 | A42 | A52 | A62 | A72 | A82 | A92 | A102 | A112 | A122 | |
| STUD SIZE | 2 1/2" | 2 1/2" | 3 5/8" | 3 5/8" | 4" | 4" | 6" | 6" | 6" | 6" | 10 1/2" | | |
| BASIC PARTITION THICKNESS | 3 3/4" | 3 3/4" | 4 7/8" | 4 7/8" | 5 1/4" | 5 1/4" | 7 1/4" | 7 1/4" | 7 1/4" | 7 1/4" | 2 1/8" | | |
| ACoustICAL INSULATION | - | 2" | - | 3" | - | 3" | - | 5 1/2" | - | 5 1/2" | - | | |
| FIRE TEST NUMBER (WHERE APPLICABLE) | - | UL DES U419 | UL DES U485 | UL DES U485 | UL DES U485 | UL DES U485 | UL DES U485 | UL DES U485 | UL DES U485 | UL DES U485 | UL DES U485 | | |