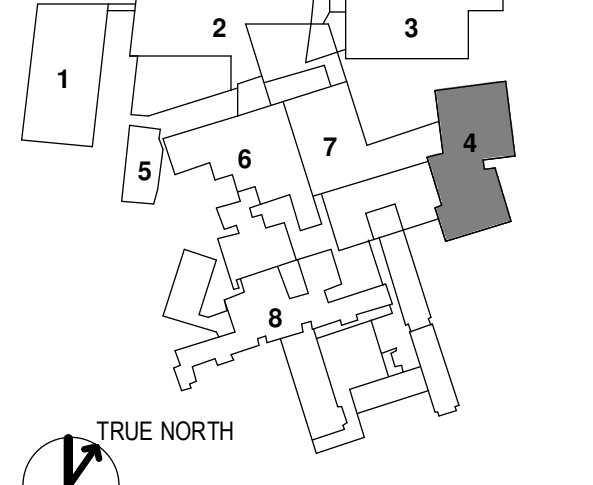
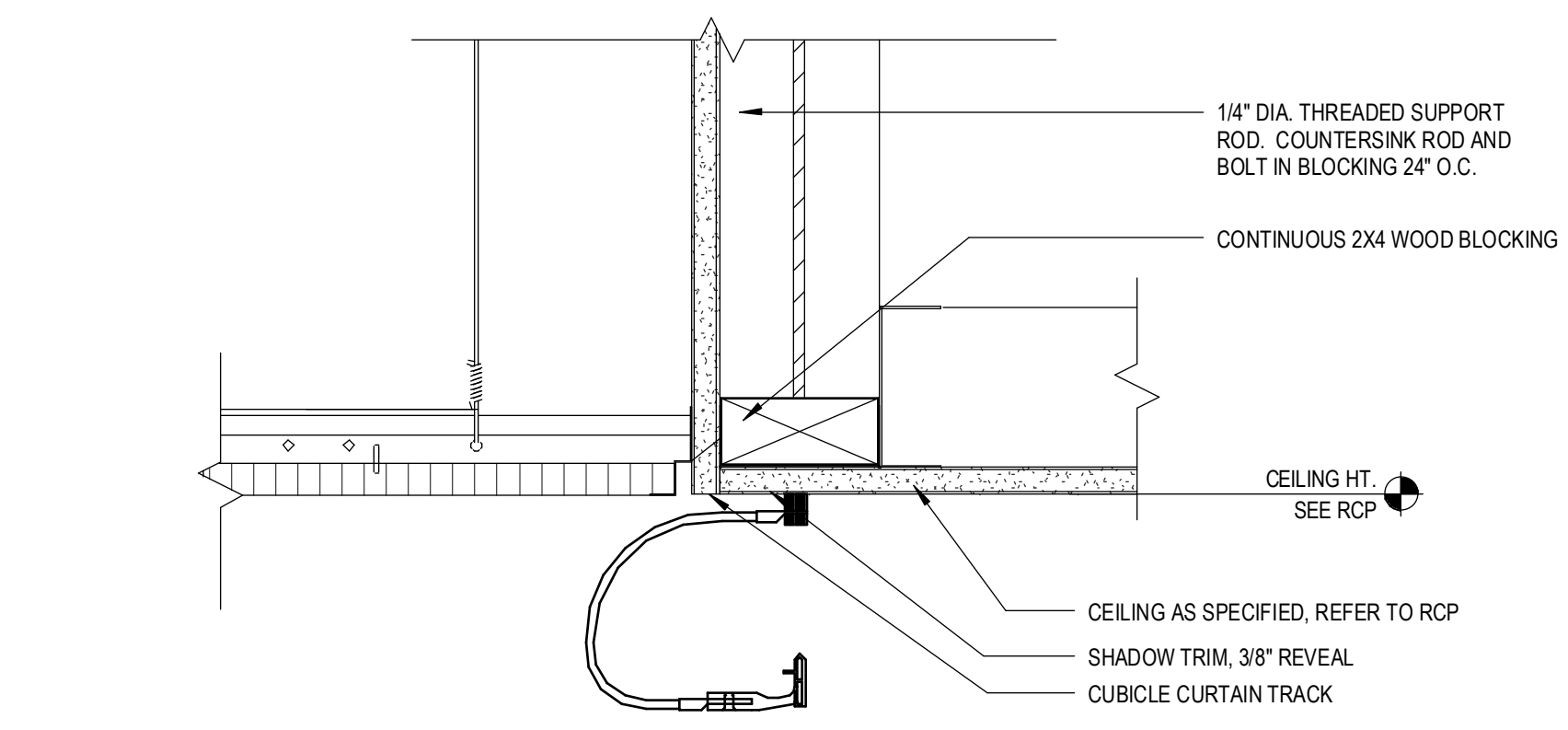


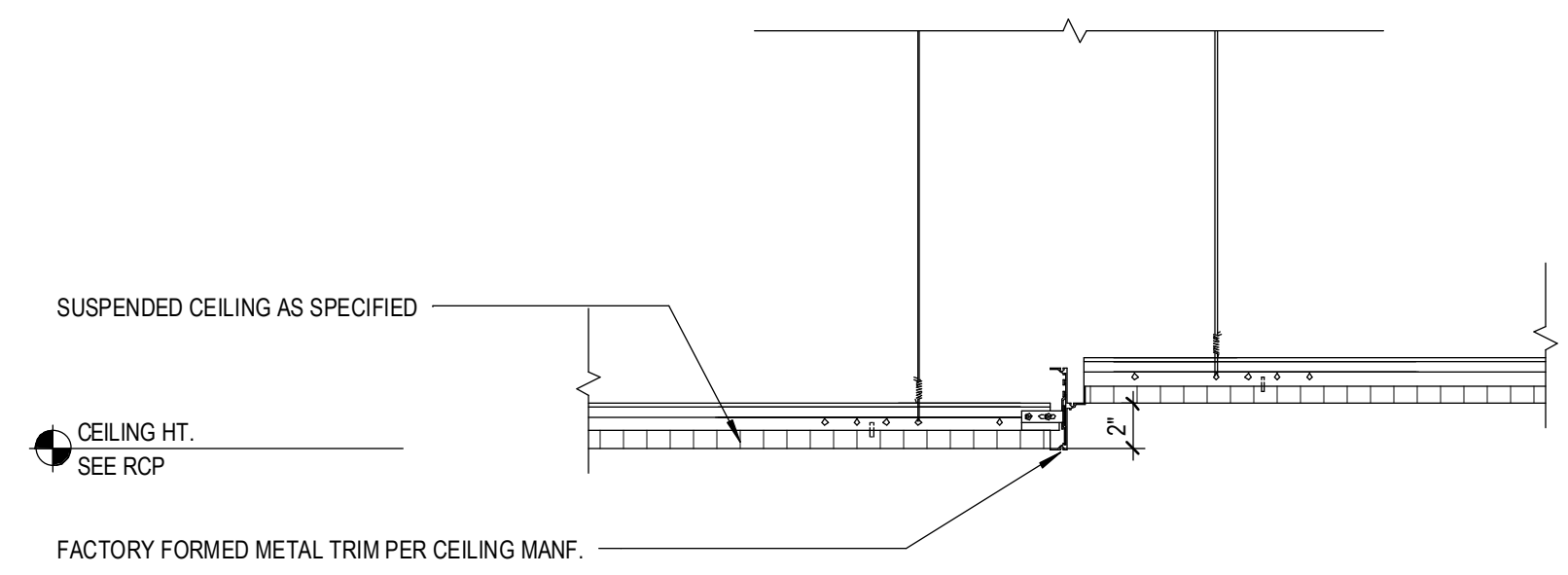
- 1 - GILMAN GARAGE
- 2 - CONGRESS STREET
- 3 - VISITOR GARAGE
- 4 - EAST TOWER
- 5 - CENTRAL UTILITY PLANT
- 6 - BEAN BUILDING
- 7 - RICHARDS BUILDING
- 8 - MAINE GENERAL BUILDING



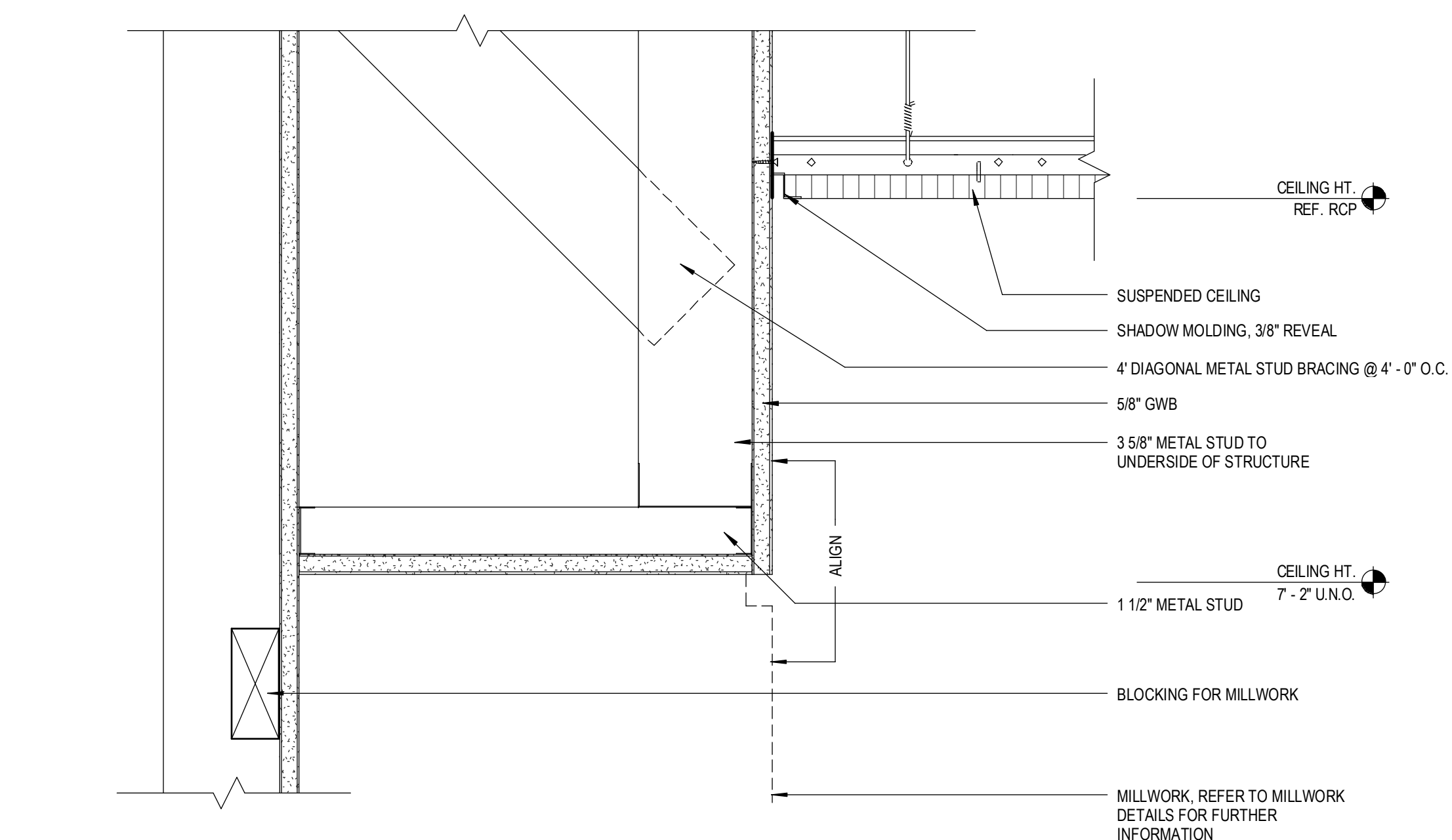
NO.	ISSUE	DATE
Job Number	152181.000	
Drawn	TEAM	
Checked		
Approved	JK	



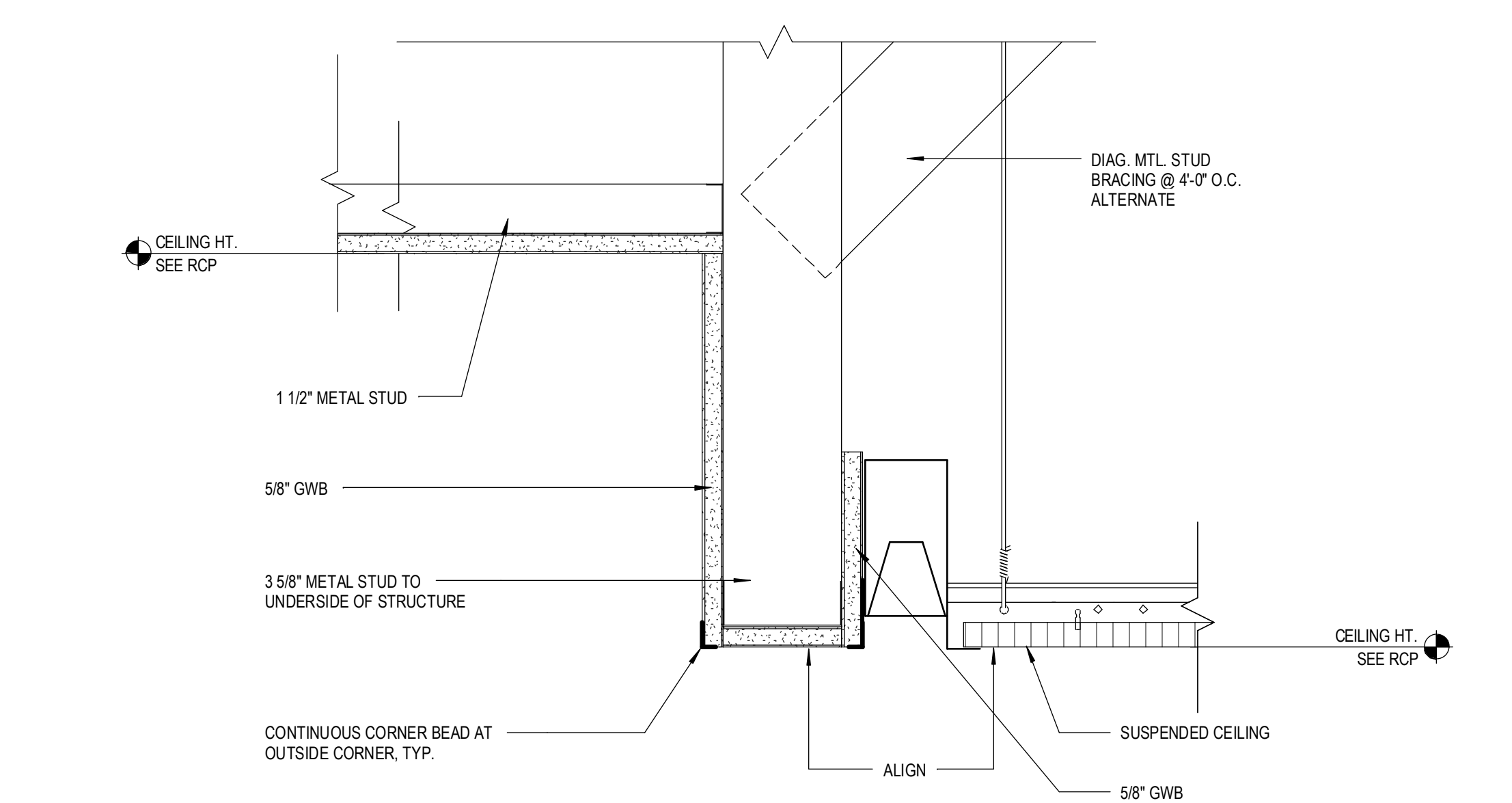
5 CURTAIN TRACK DETAIL
 3\"/>



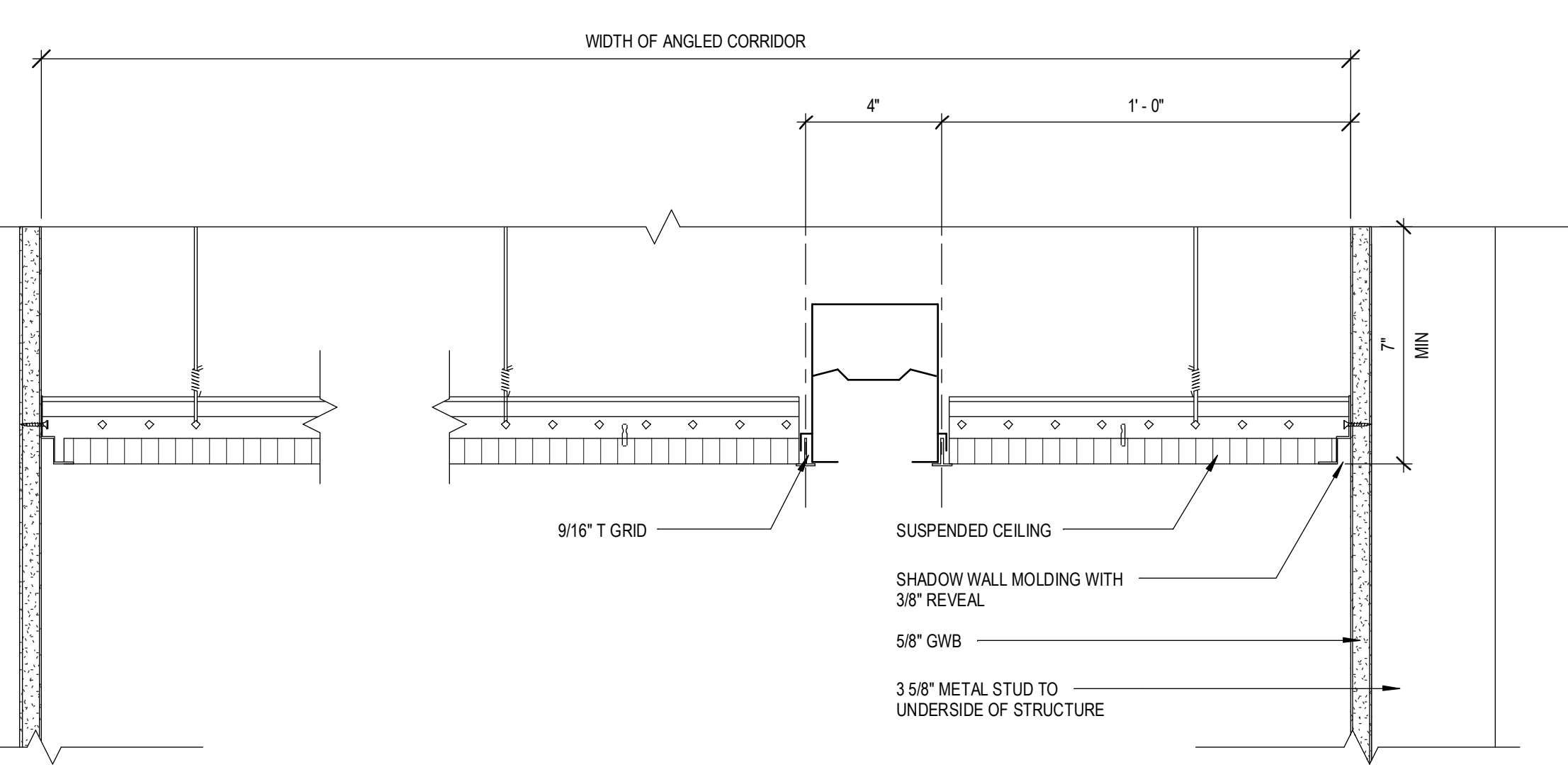
4 CEILING - SPECIALTY CEILING TO ACT
 1 1/2\"/>



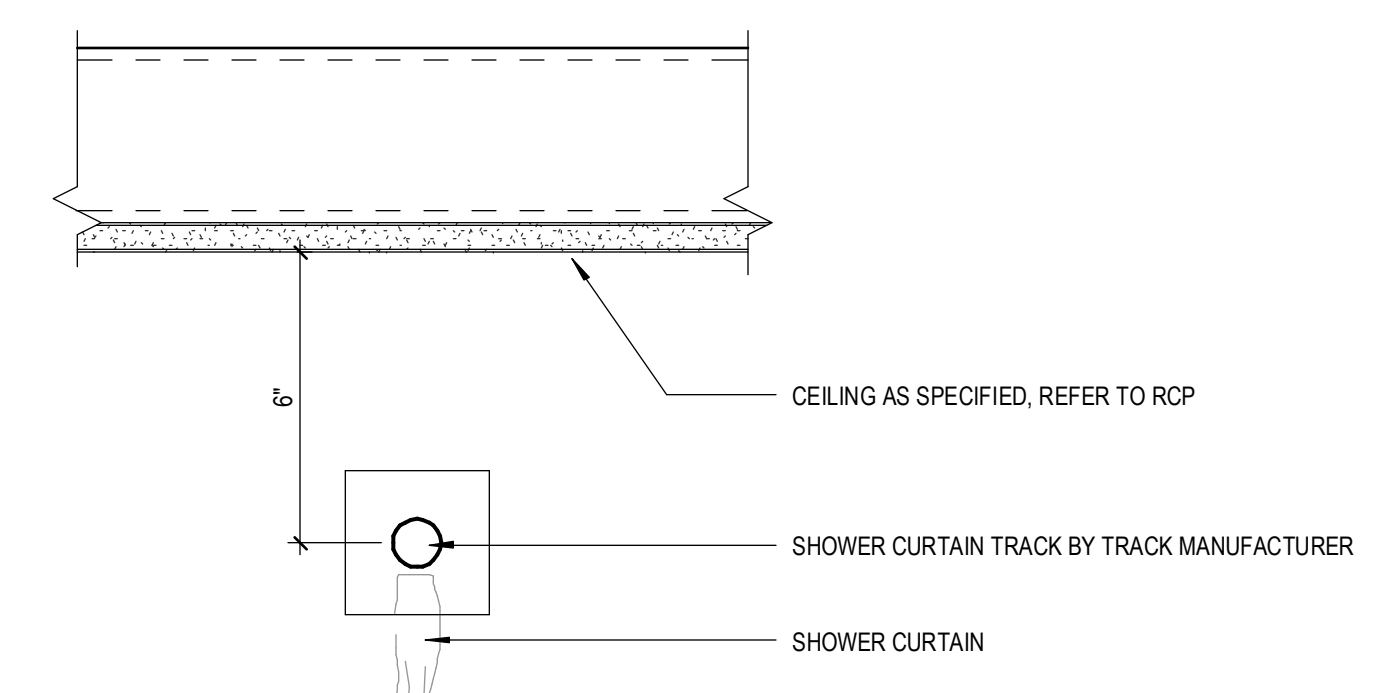
3 SOFFIT DETAIL - AT CASEWORK
 3\"/>



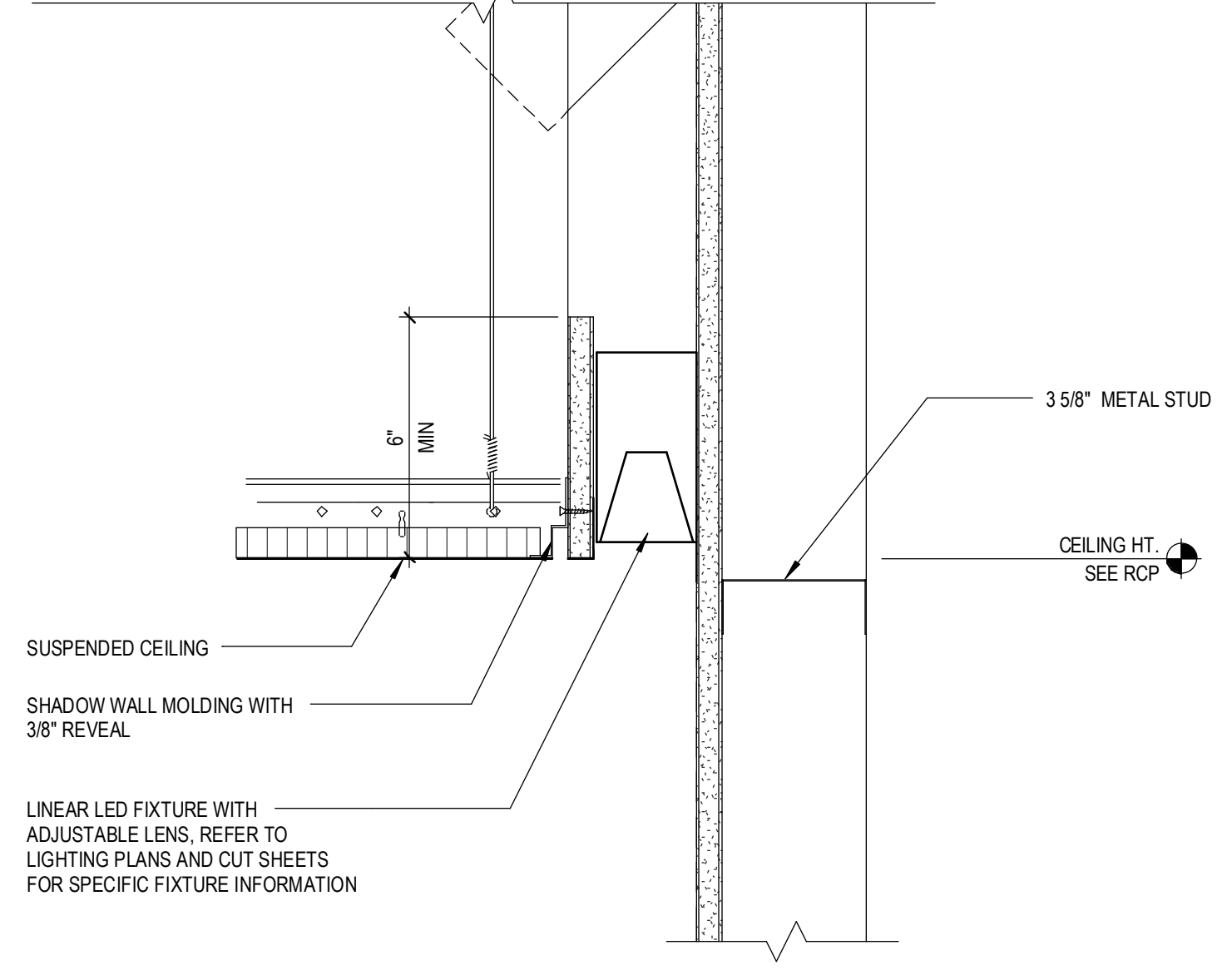
2 CEILING HEIGHT TRANSITION - GWB TO ACT W/ LIGHT
 3\"/>



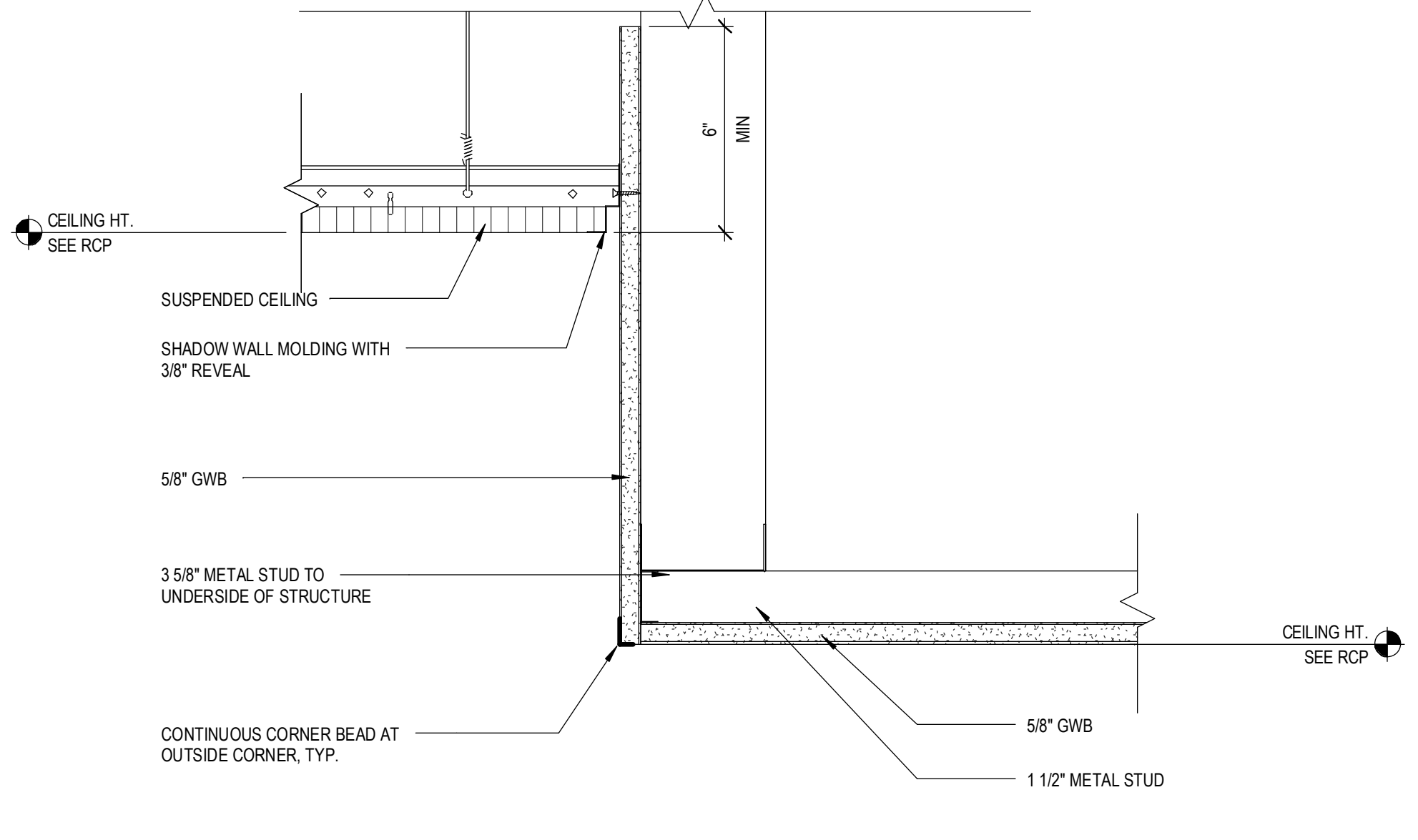
1 CEILING DETAIL
 3\"/>



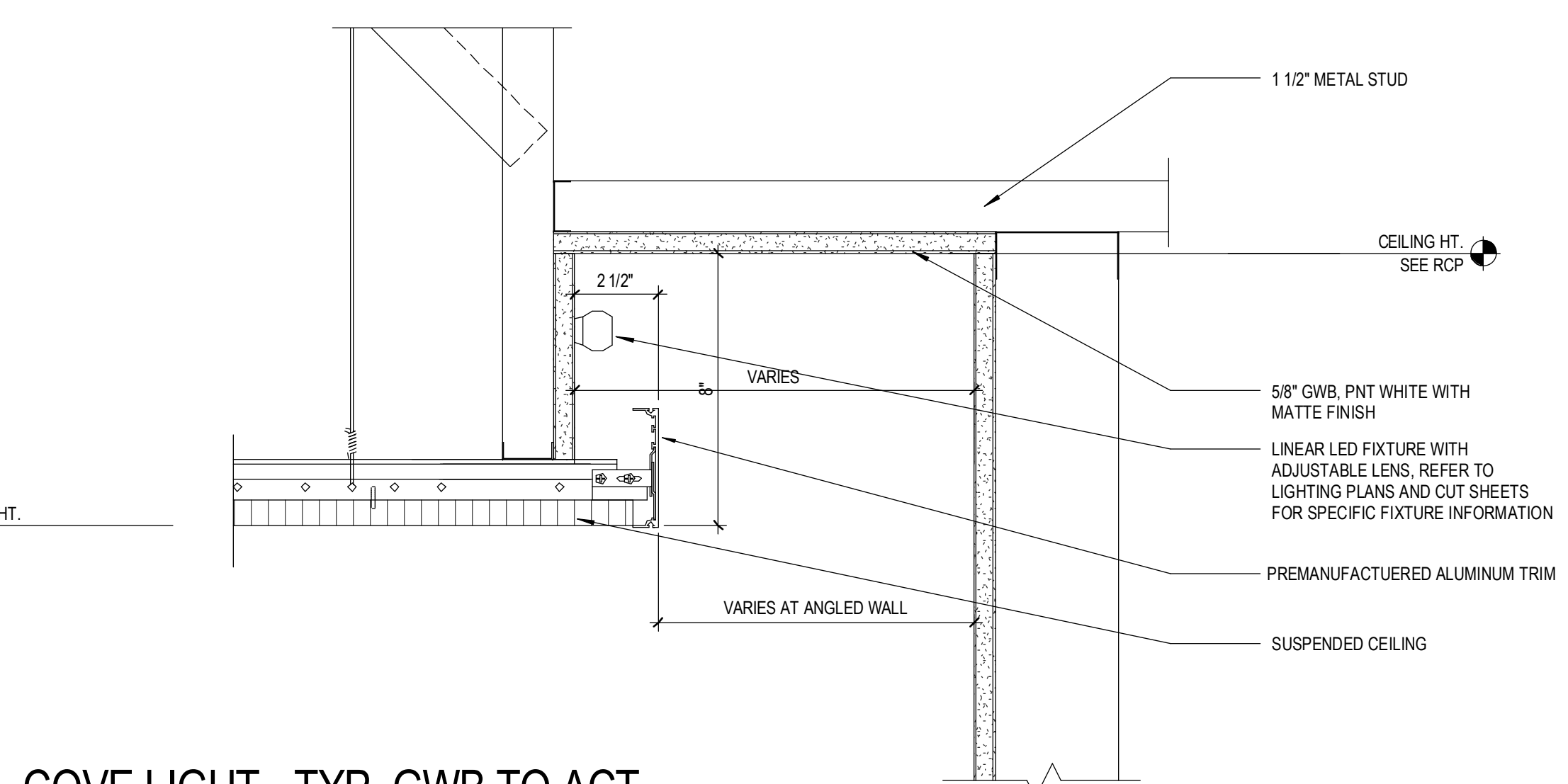
10 SHOWER CURTAIN ROD DETAIL
 3\"/>



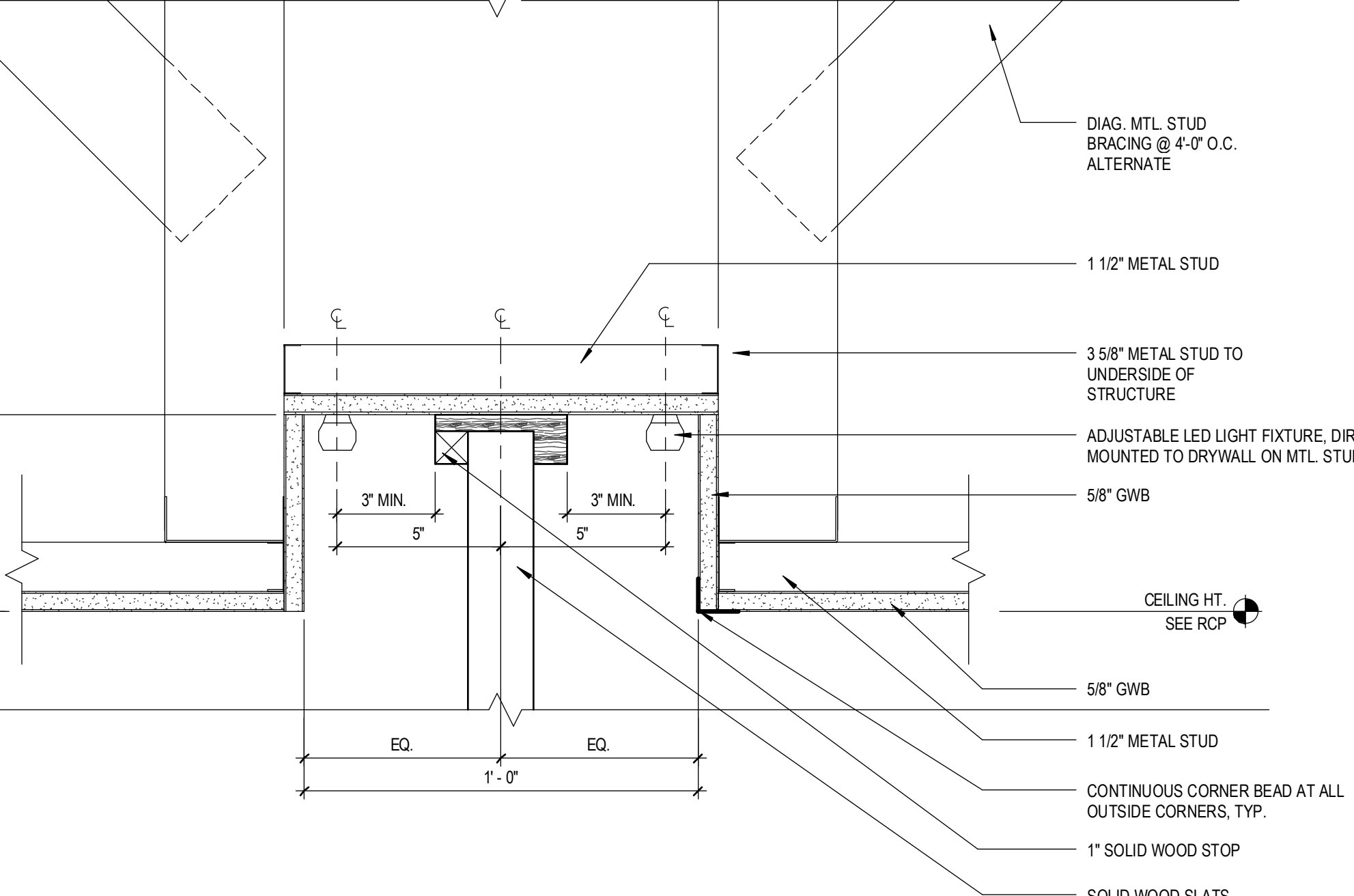
9 COVE LIGHT - TYP. AT ACT
 3\"/>



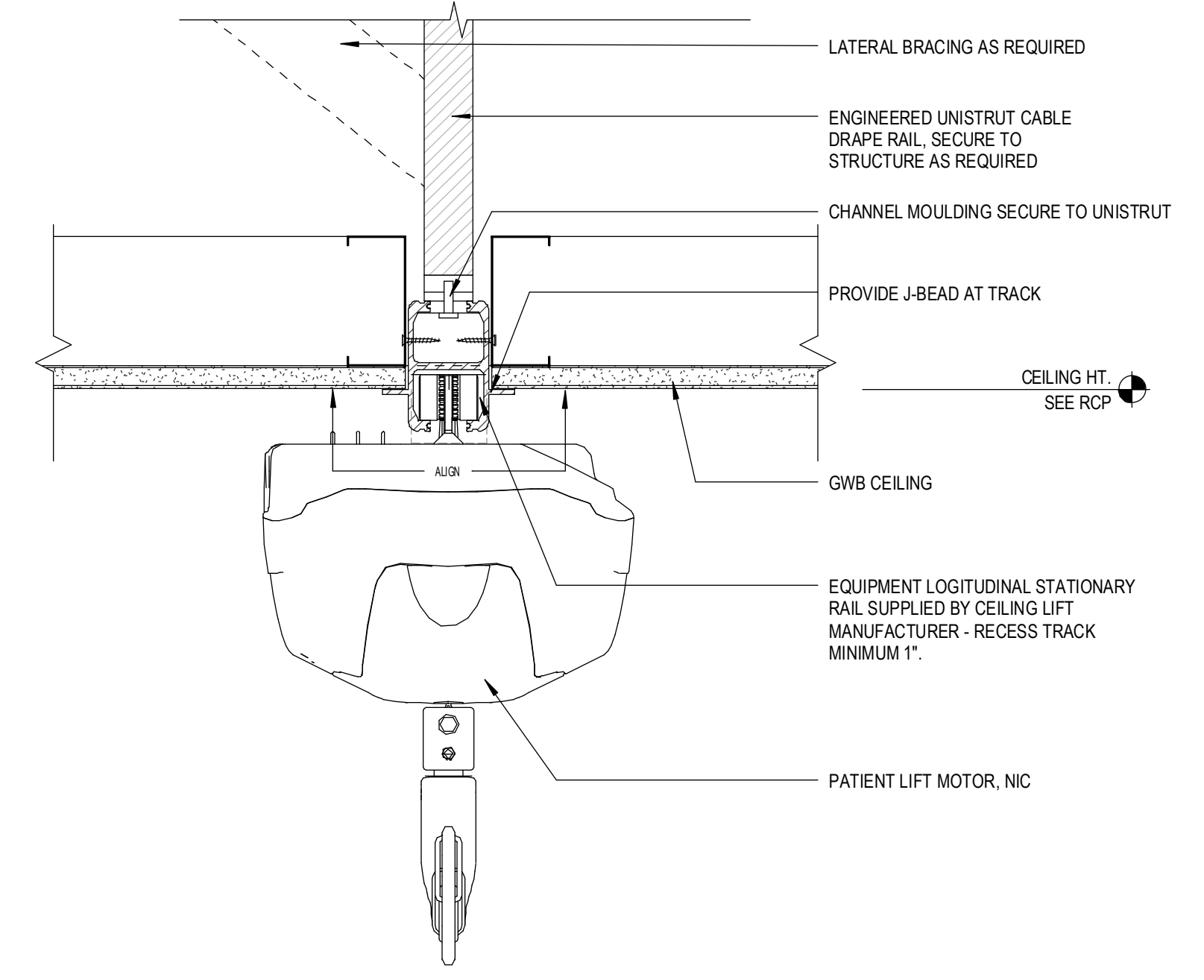
8 SOFFIT DETAIL - ACT TO LOWER GWB
 3\"/>



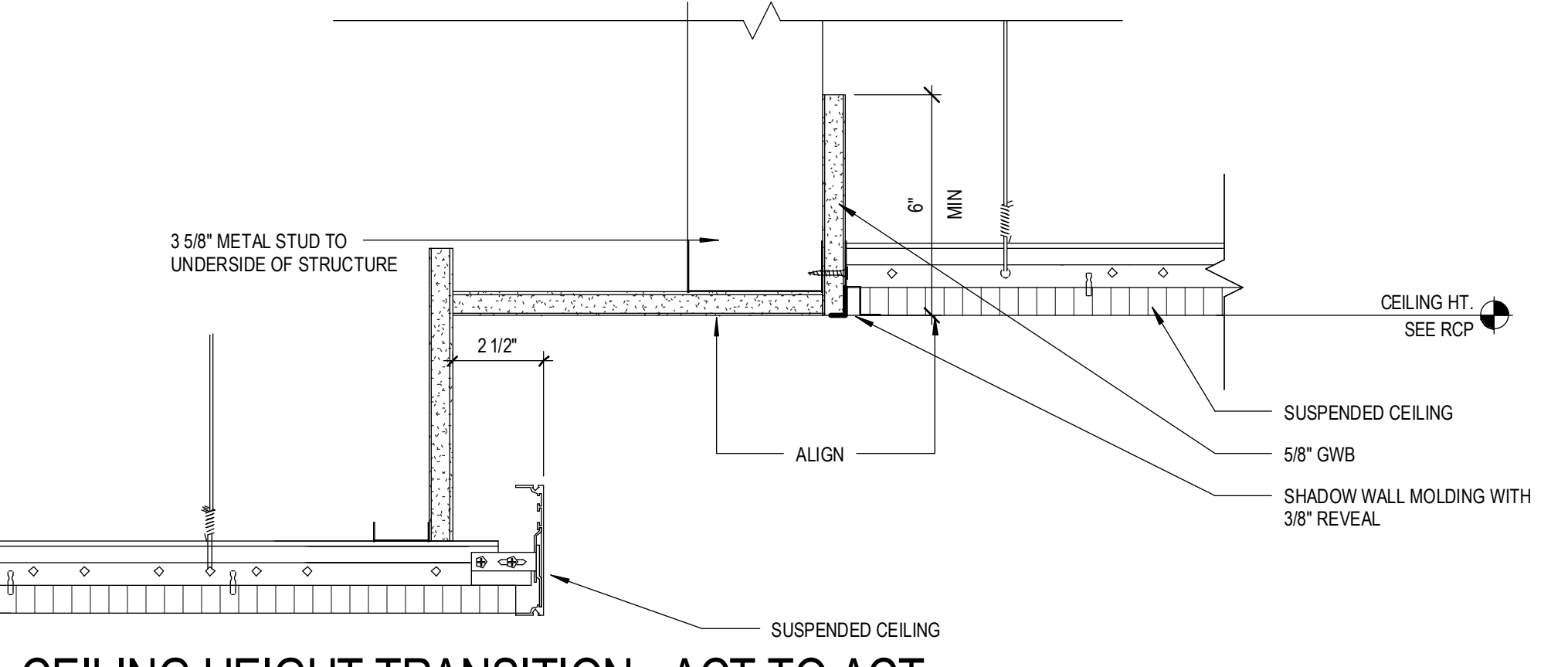
7 COVE LIGHT - TYP. GWB TO ACT
 3\"/>



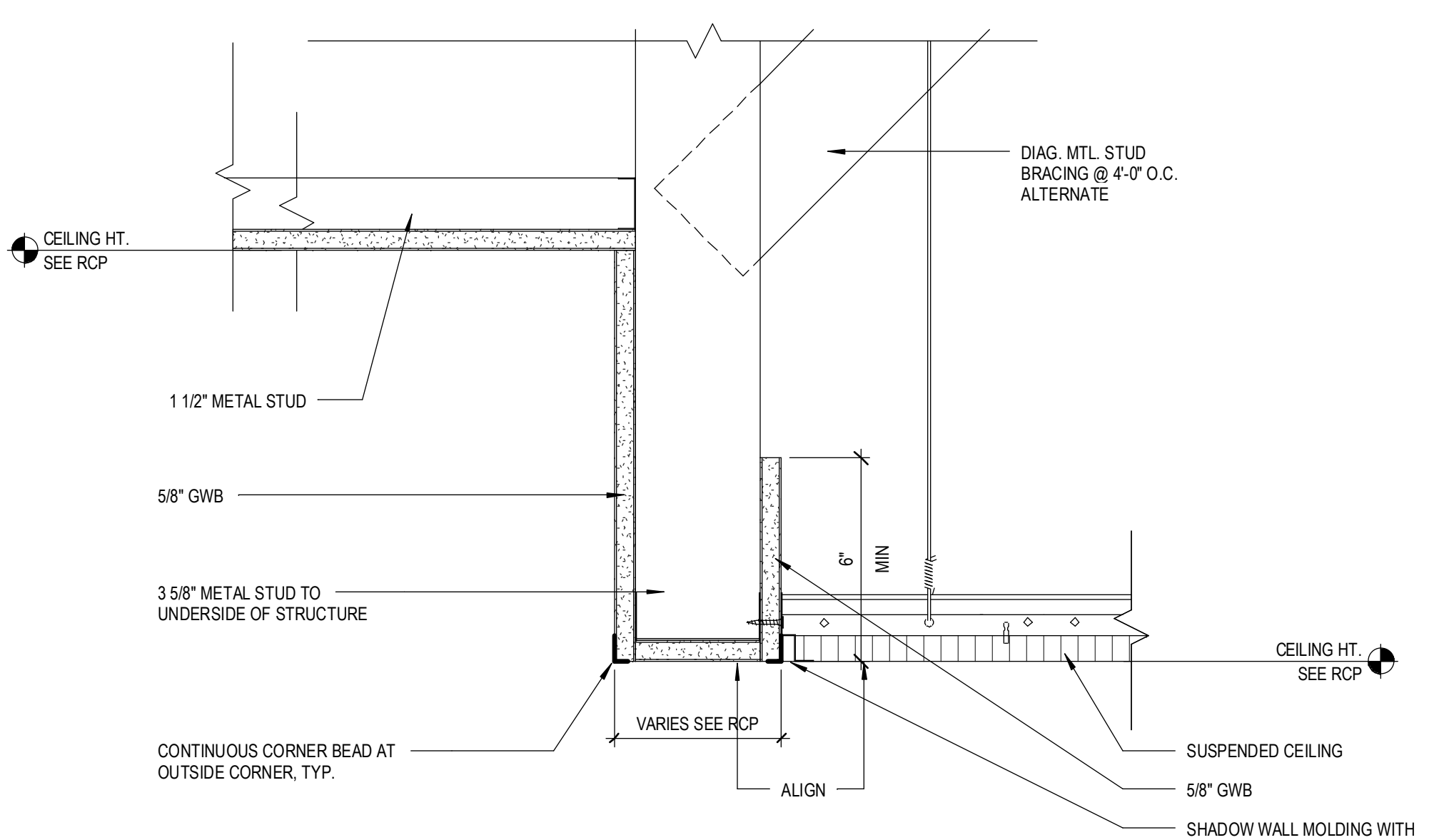
6 CEILING DETAIL AT WOOD SCREEN
 3\"/>



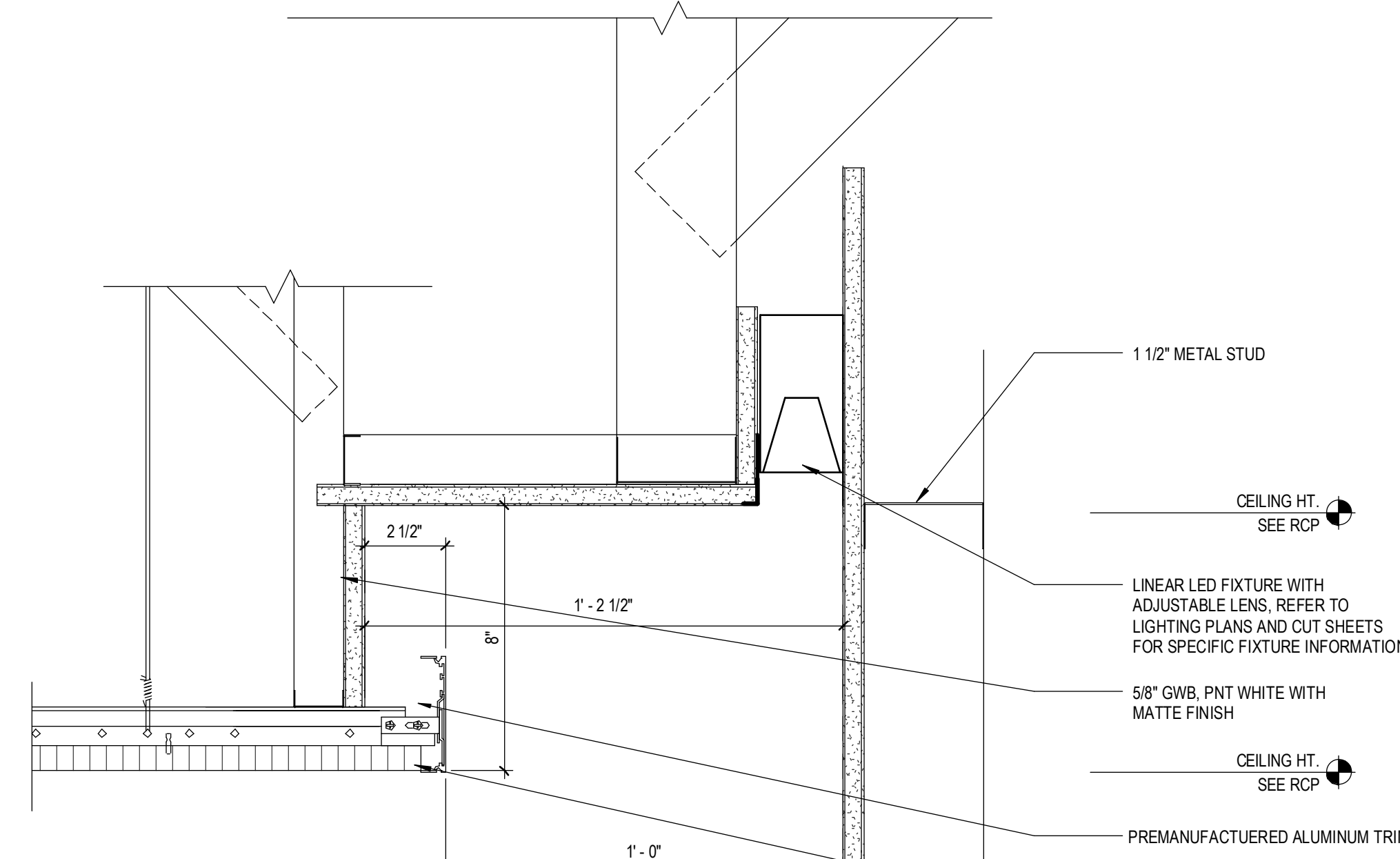
15 PATIENT LIFT - RECESSED CEILING TRACK
 3\"/>



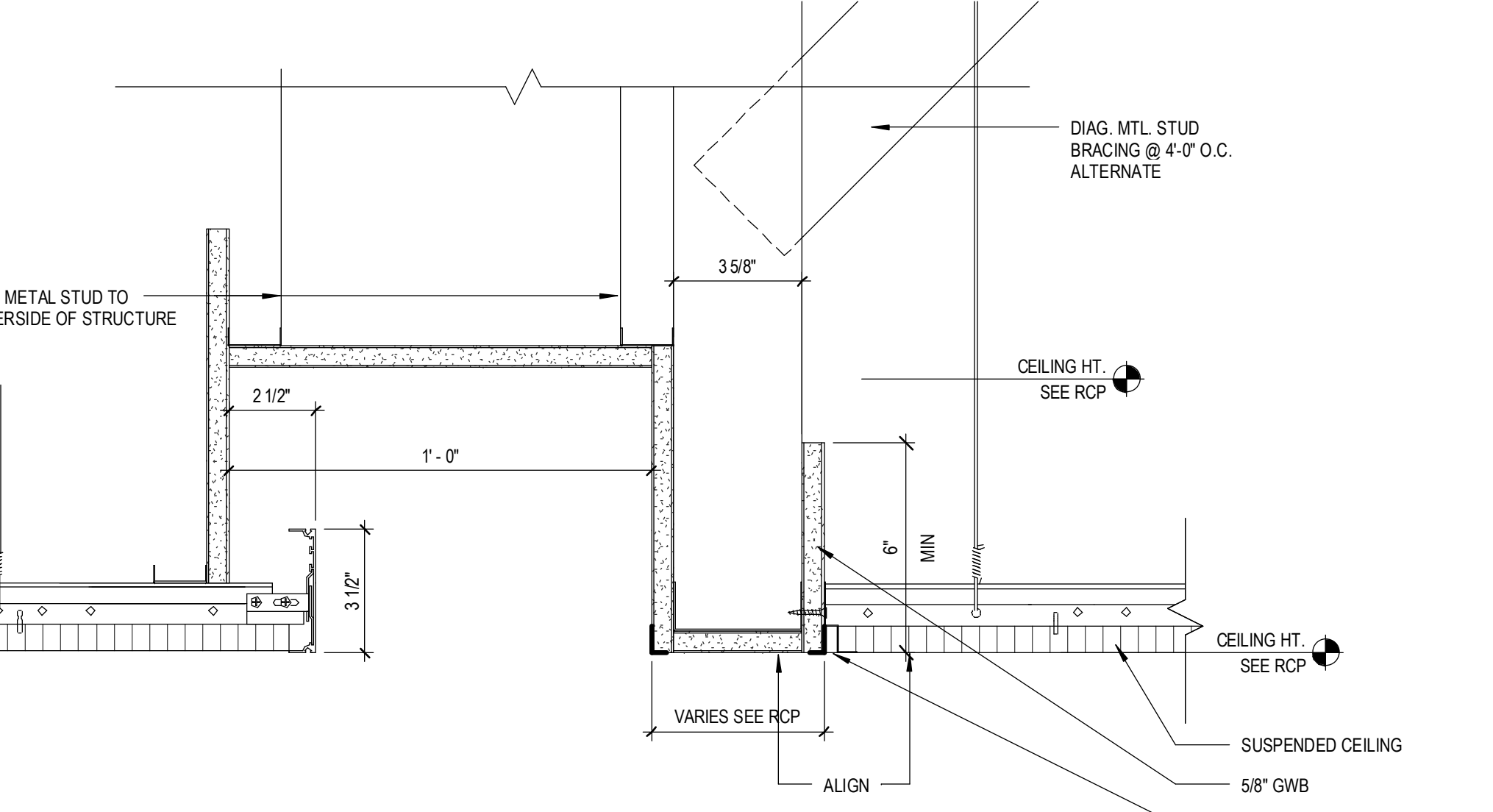
14 CEILING HEIGHT TRANSITION - ACT TO ACT
 3\"/>



13 CEILING HEIGHT TRANSITION - GWB TO ACT
 3\"/>



12 COVE LIGHT - TYP. GWB TO ACT
 3\"/>



11 CEILING HEIGHT TRANSITION - ACT TO ACT HIGH GWB
 3\"/>

3/20/2018 5:23:48 PM
 152181.MDC-East Tower 6 & 7 CDIT_detailed.rvt