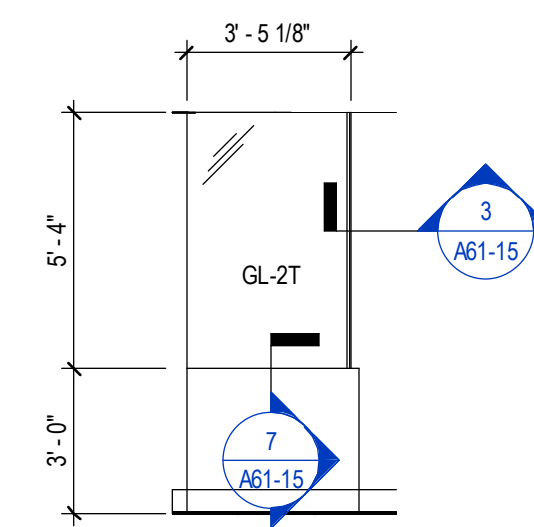
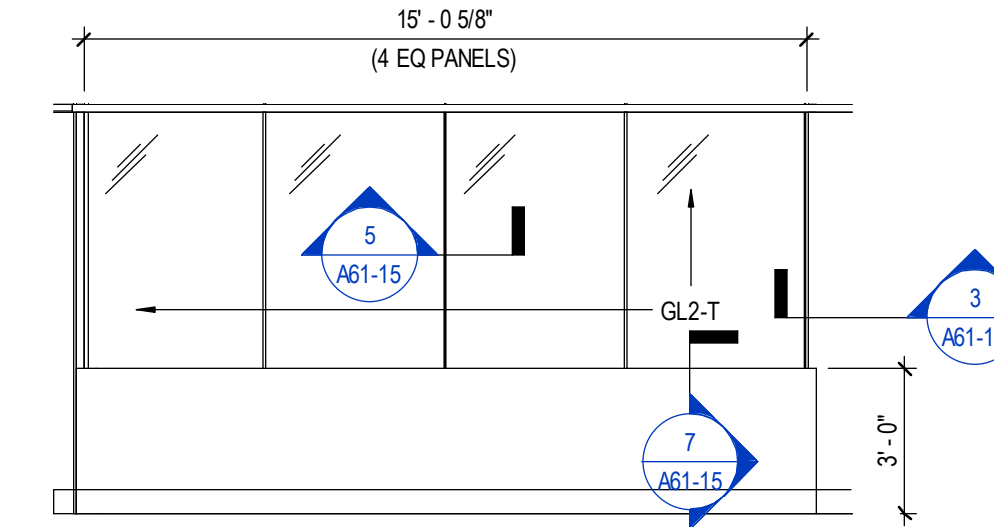


NO	ISSUE	DATE
1	ADDENDUM NO. 1	3/22/18

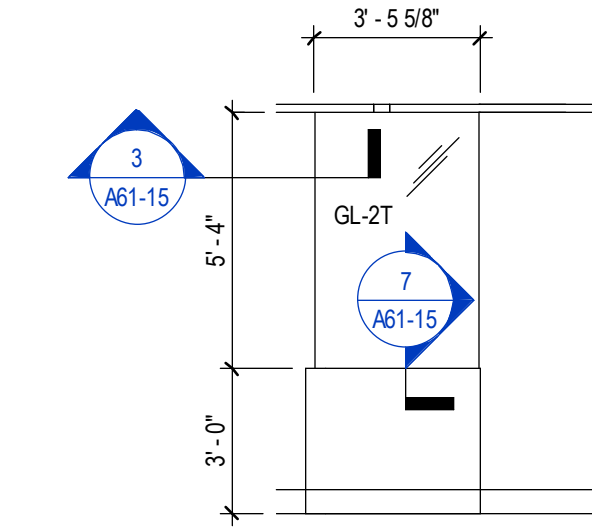
Job Number: 152181.000
Drawn: TEAM
Checked: JK
Approved: JK



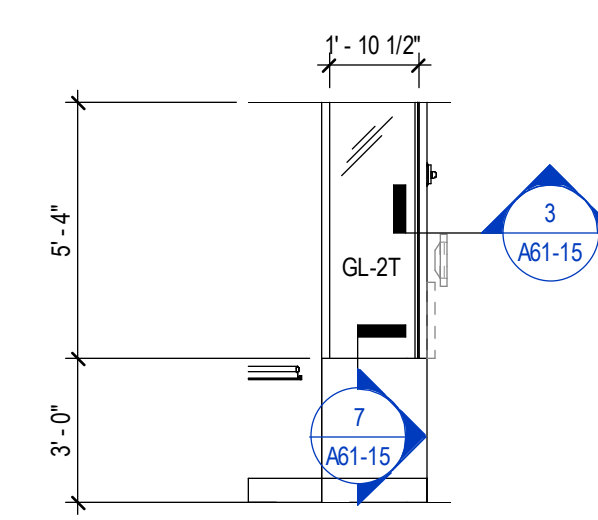
14 DICTATION 2 - NORTH FAÇADE 2
1/4" = 1'-0"



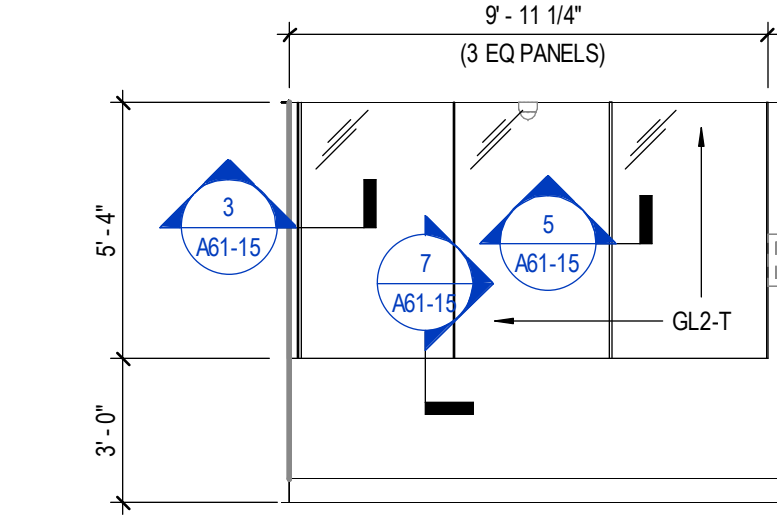
13 DICTATION 2 - WEST FAÇADE 2
1/4" = 1'-0"



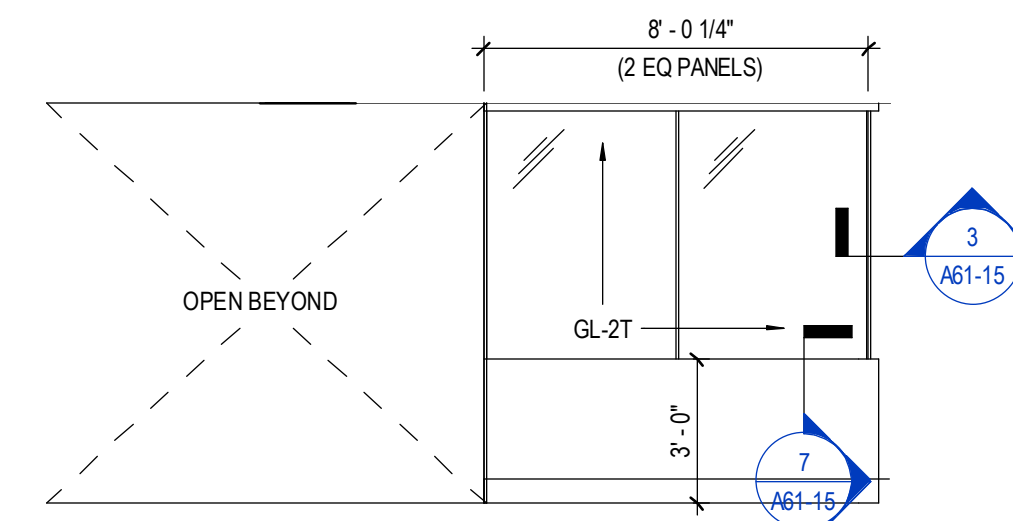
12 DICTATION 2 - SOUTH FAÇADE 2
1/4" = 1'-0"



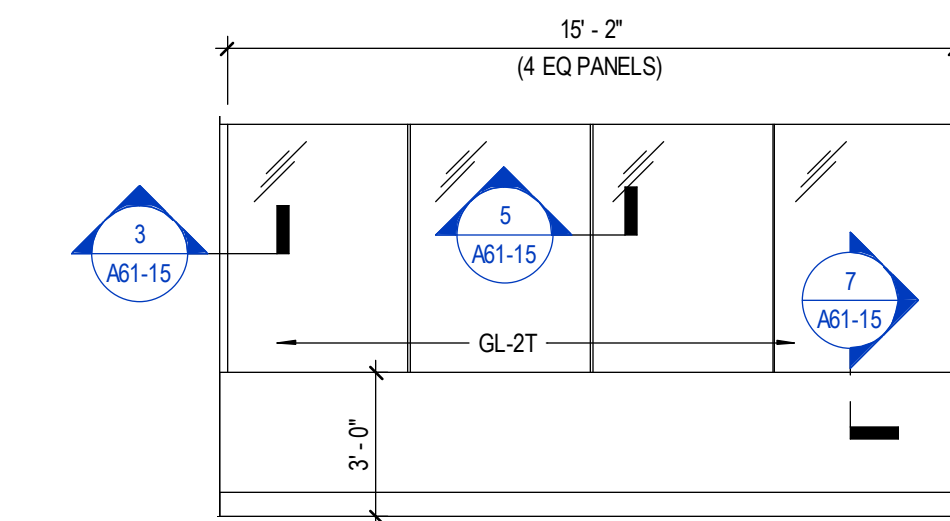
11 DICTATION - SECTOR 1 SOUTH
1/4" = 1'-0"



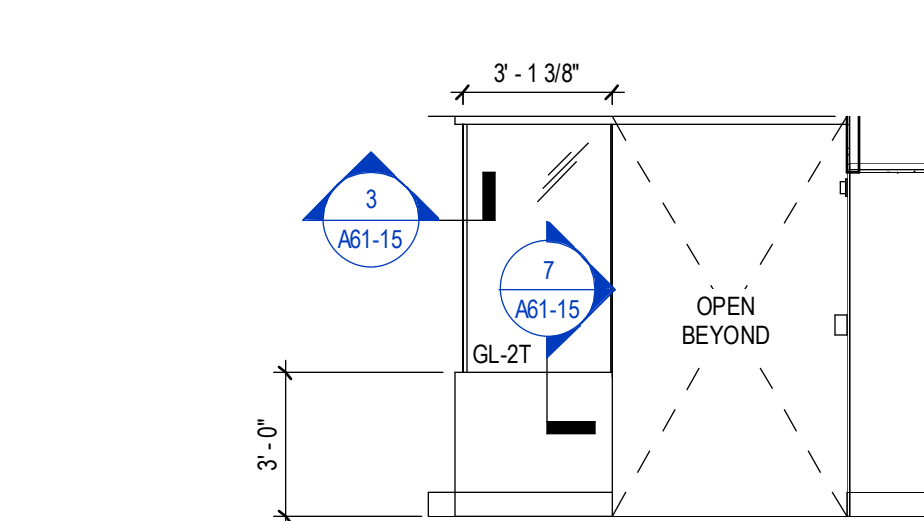
10 DICTATION - SECTOR 1 EAST FAÇADE
1/4" = 1'-0"



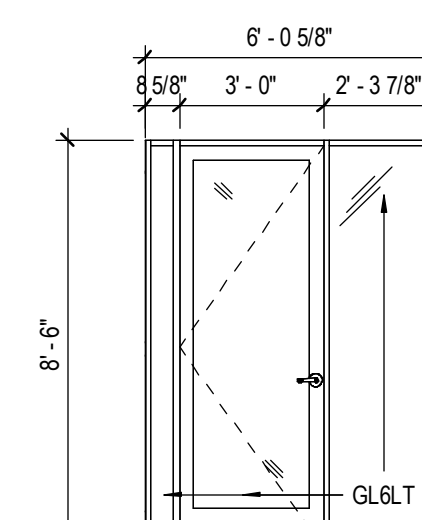
9 DICTATION - SECTOR 2 WEST
1/4" = 1'-0"



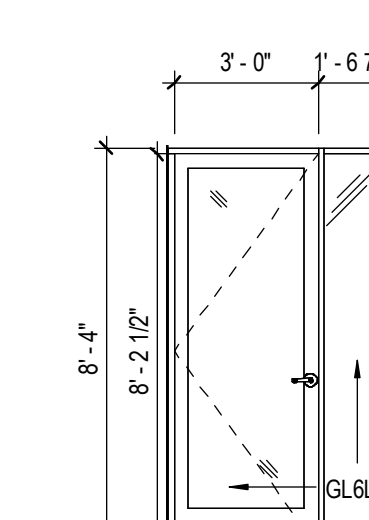
8 DICTATION - SECTOR 2 SOUTH
1/4" = 1'-0"



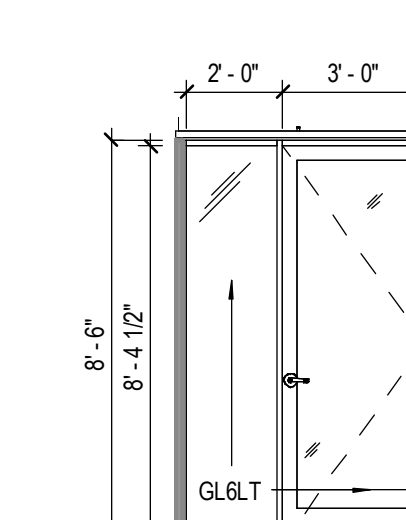
7 DICTATION - SECTOR 2 EAST
1/4" = 1'-0"



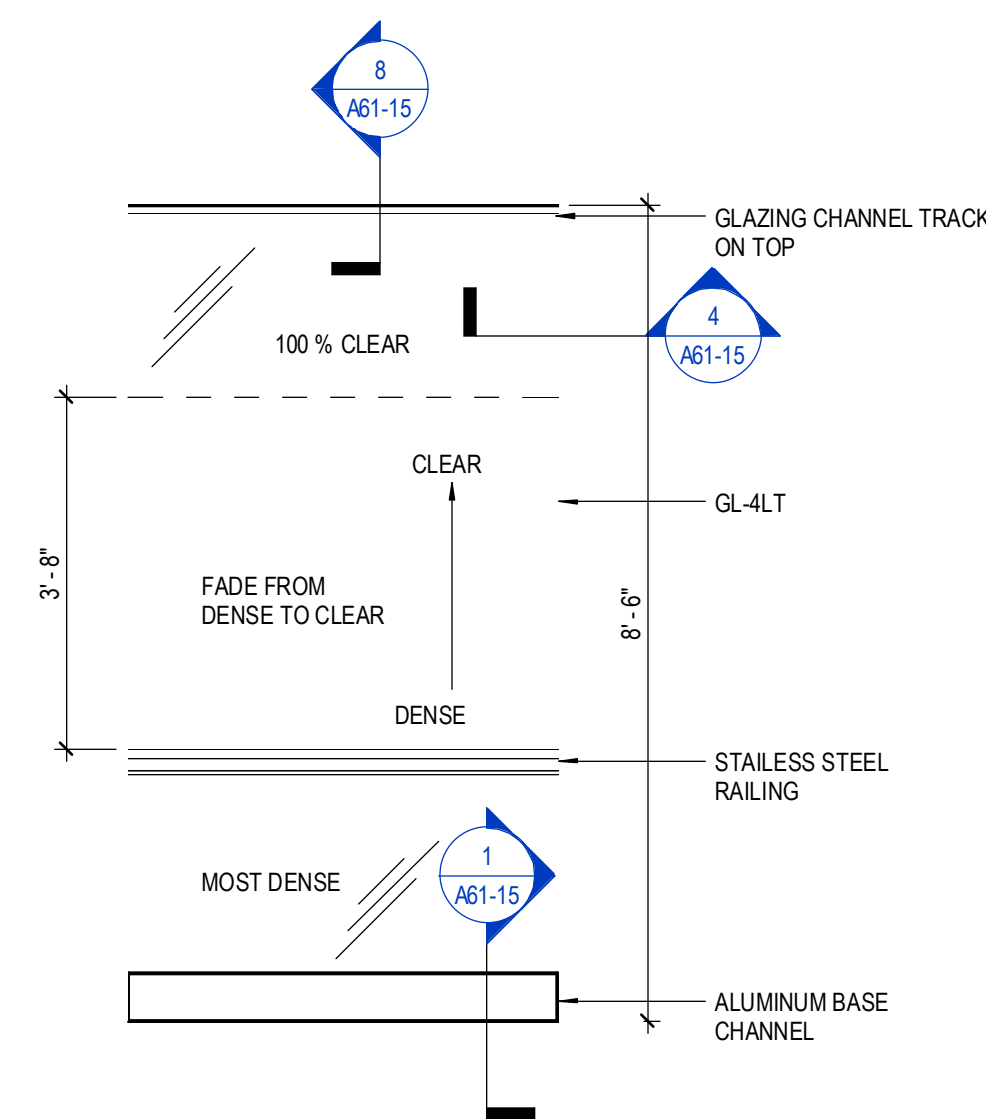
6 FAMILY WAITING - SECTOR 2
1/4" = 1'-0"



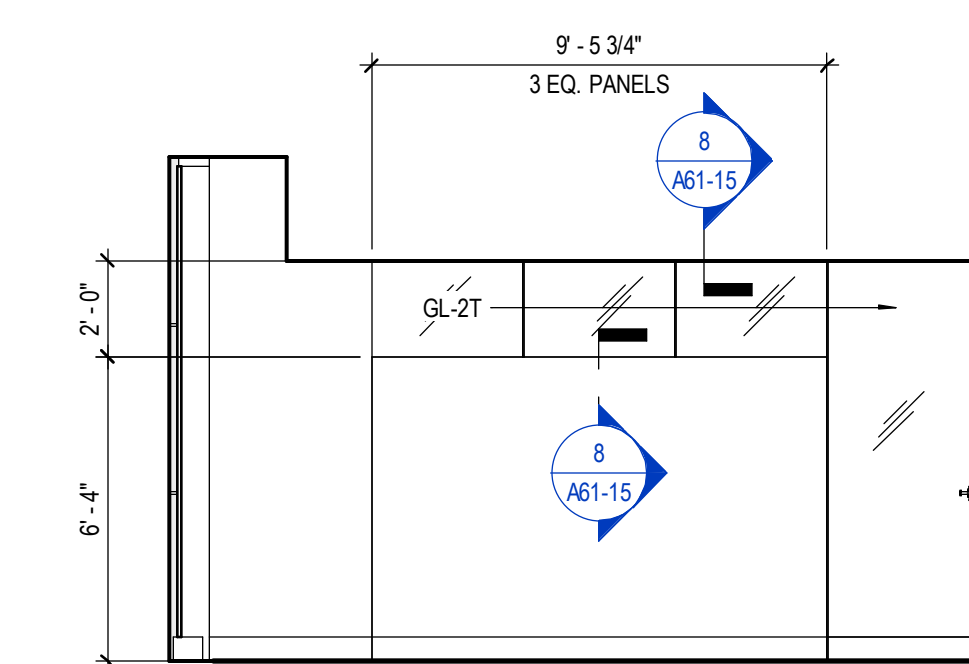
5 FAMILY WAITING - NW SECTOR 1
1/4" = 1'-0"



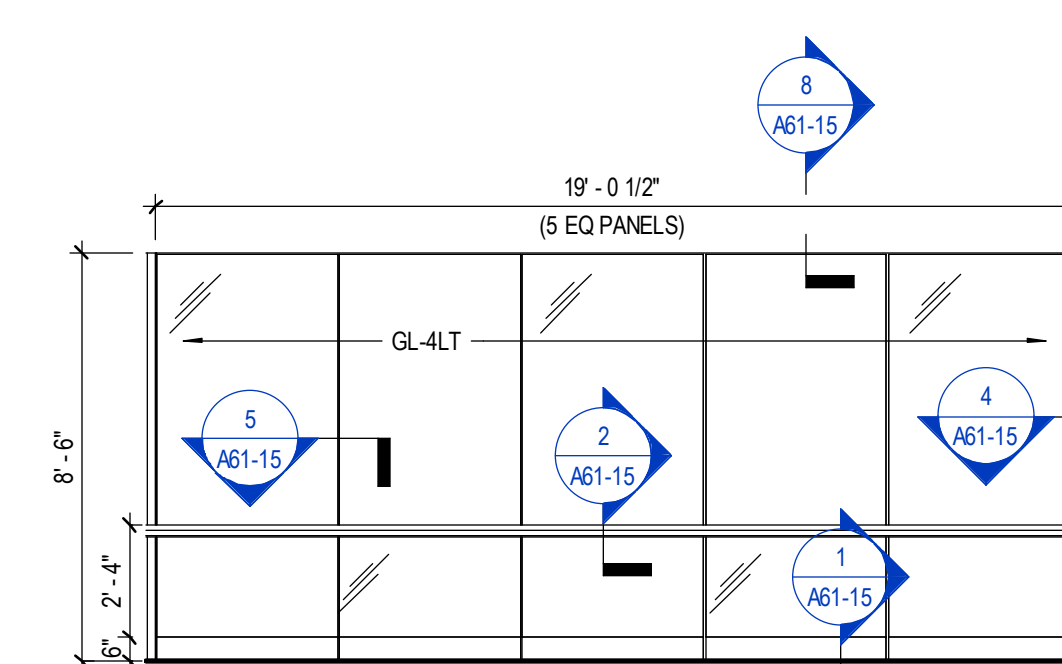
4 FAMILY WAITING - NE SECTOR 1
1/4" = 1'-0"



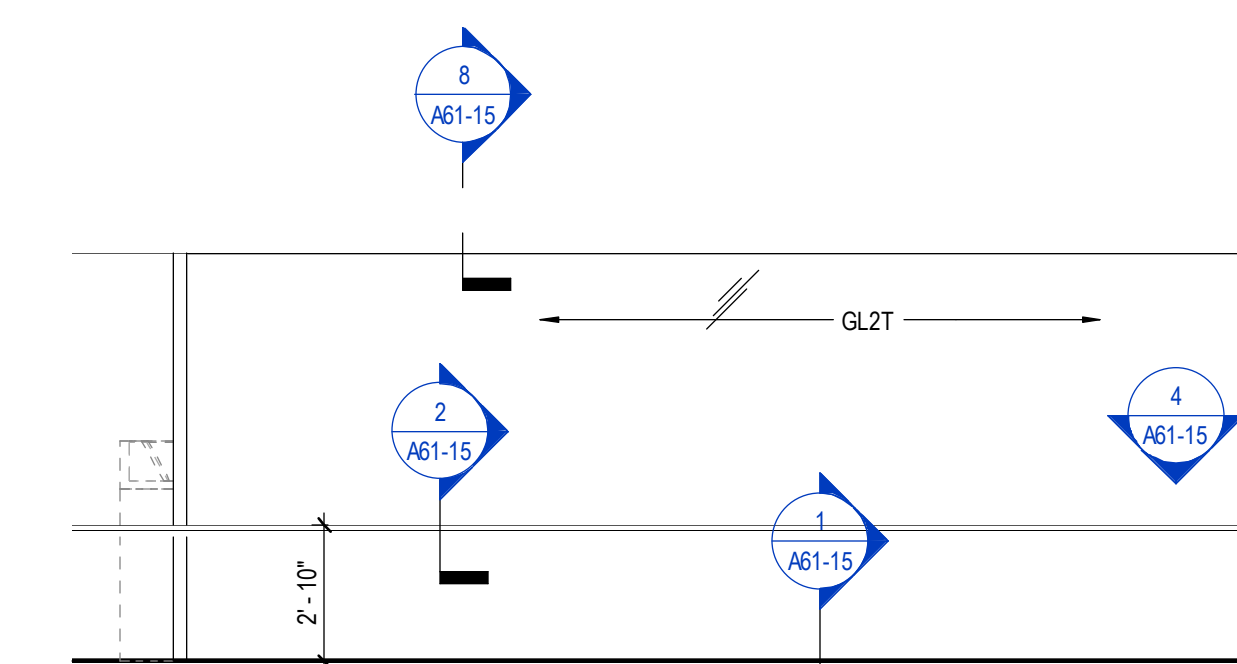
15 MULTI-PURPOSE ROOM GLAZING DETAIL TYP.
1/2" = 1'-0"



3 CLERESTORY - SECTOR 2 OFFICE
1/4" = 1'-0"



2 MULTI-PURPOSE ROOM SECTOR 2
1/4" = 1'-0"



1 MULTI-PURPOSE ROOM SECTOR 1
1/4" = 1'-0"