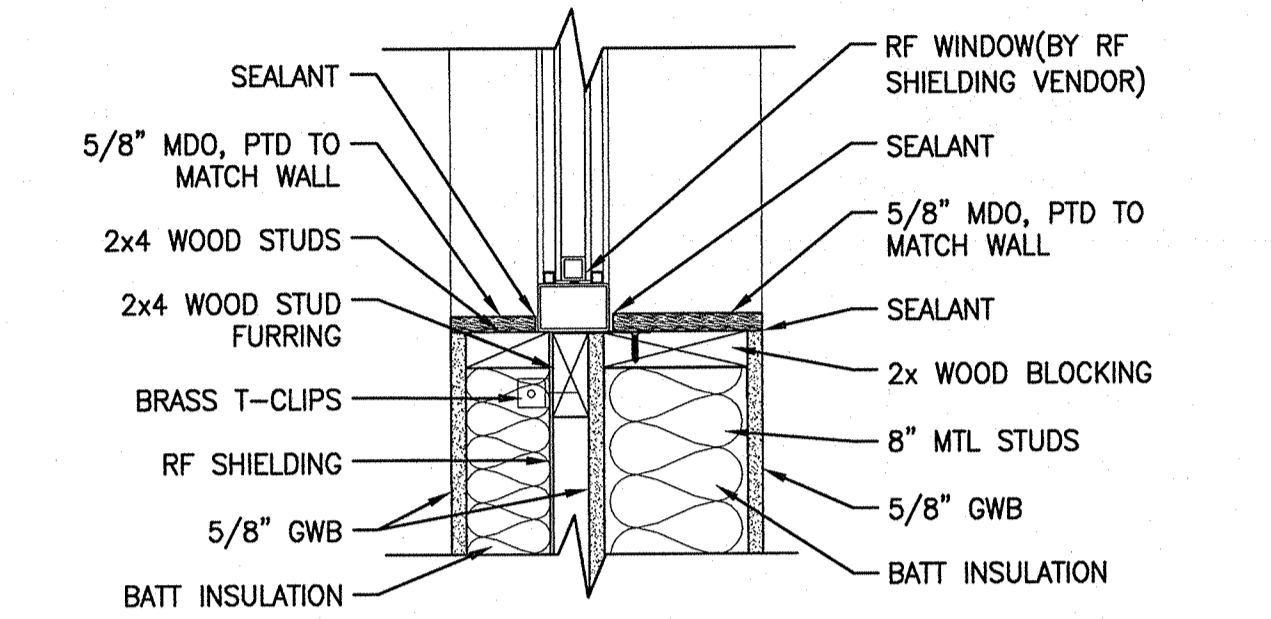


RF WINDOW SILL DETAIL M1
1-1/2"=1'-0"

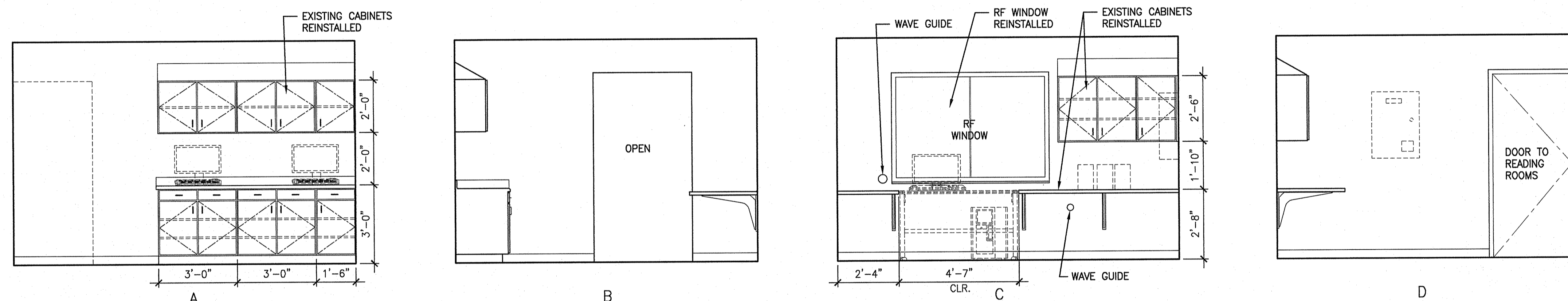


RF WINDOW SILL DETAIL K1
1-1/2"=1'-0"

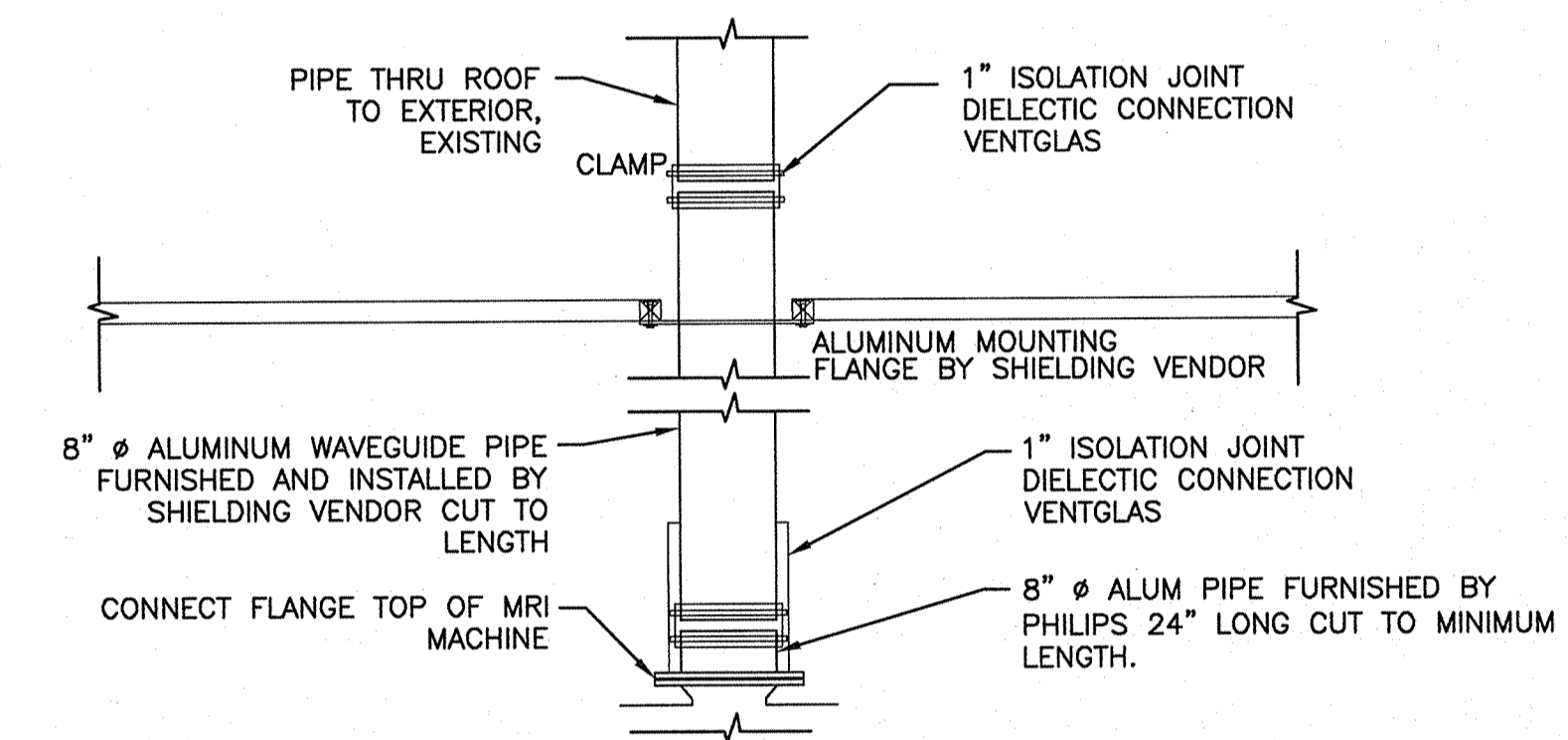
MRI ROOM E8
1/4"=1'-0"

Does the new machine weigh more or less than the old?

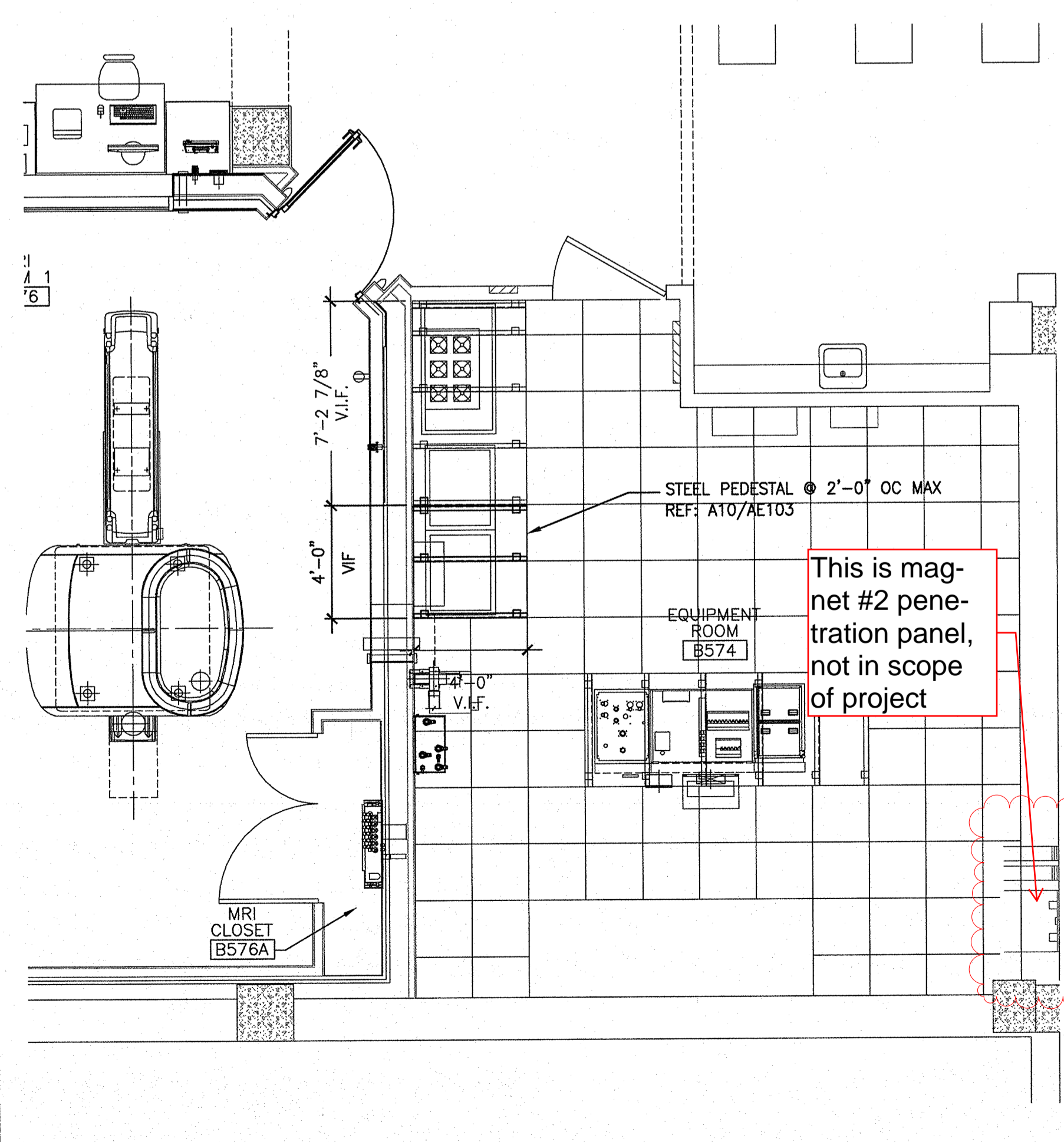
GE 3t machine (to be removed): 17,312 lbs
Philips 1.5t (to be installed): 9921 lbs



CONTROL ROOM A7
1/4"=1'-0"

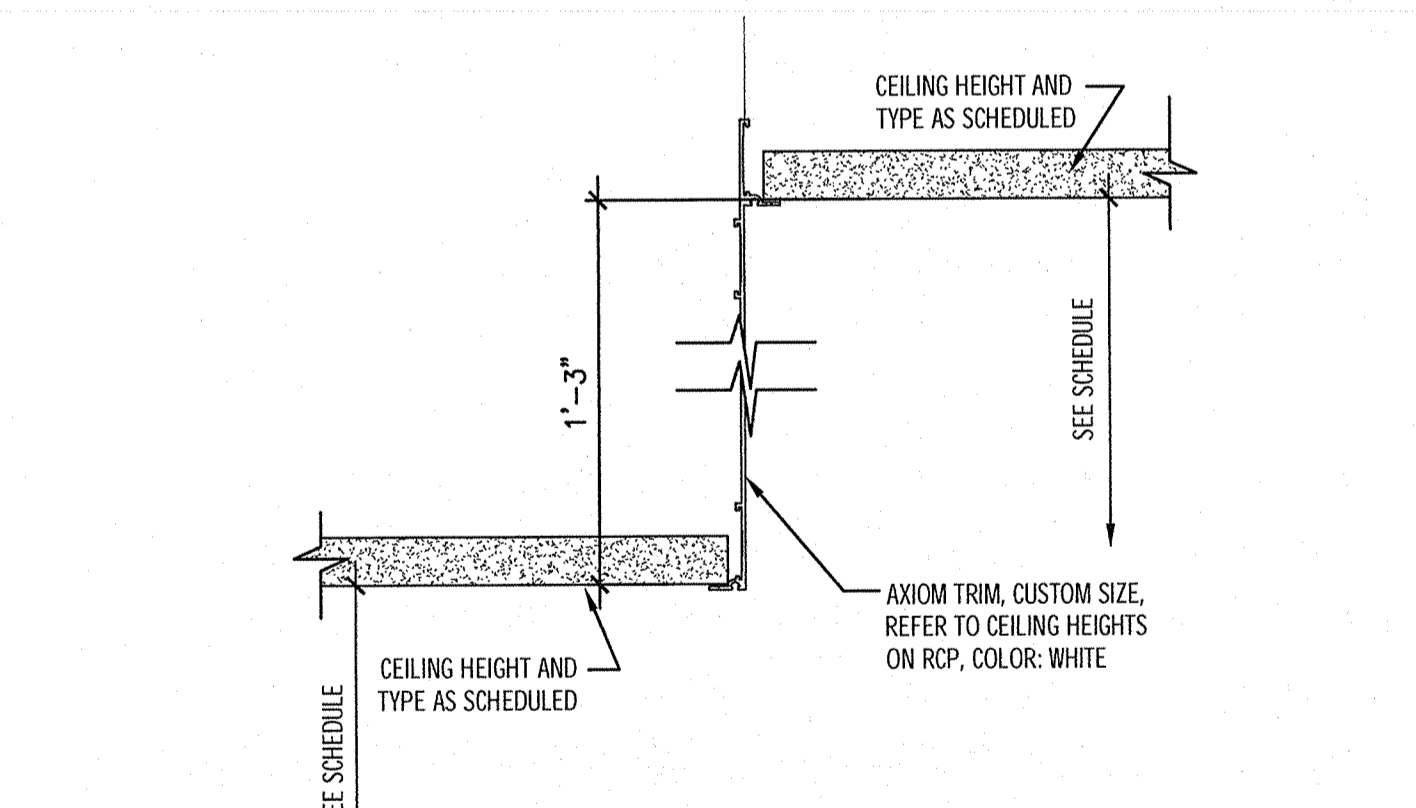


TYPICAL CRYOGEN VENT CONNECTION DETAIL F1
1-1/2"=1'-0"

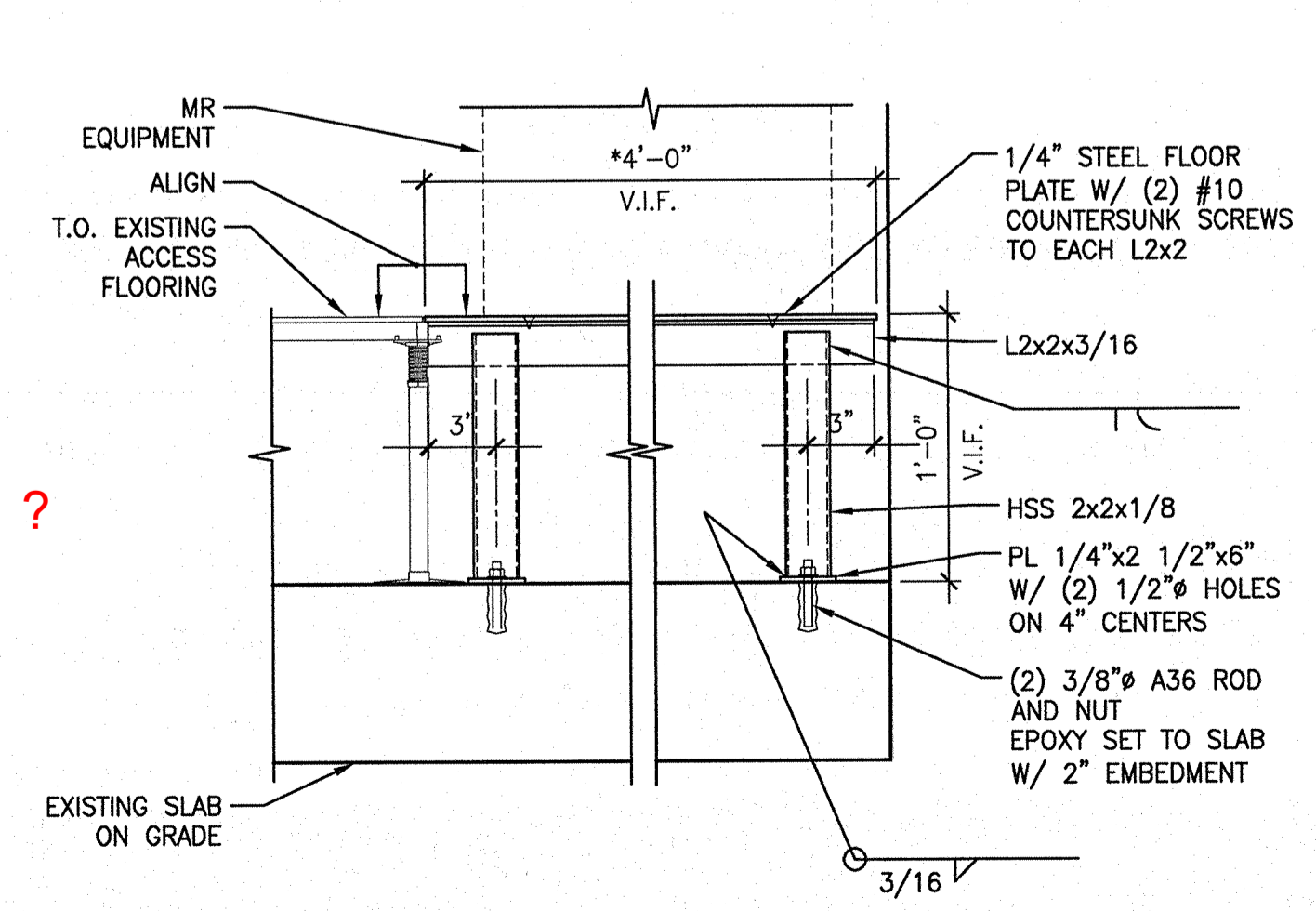


EQUIPMENT ROOM STRUCTURAL FLOOR A14
1/4"=1'-0"

This is magnet #2 penetration panel, not in scope of project



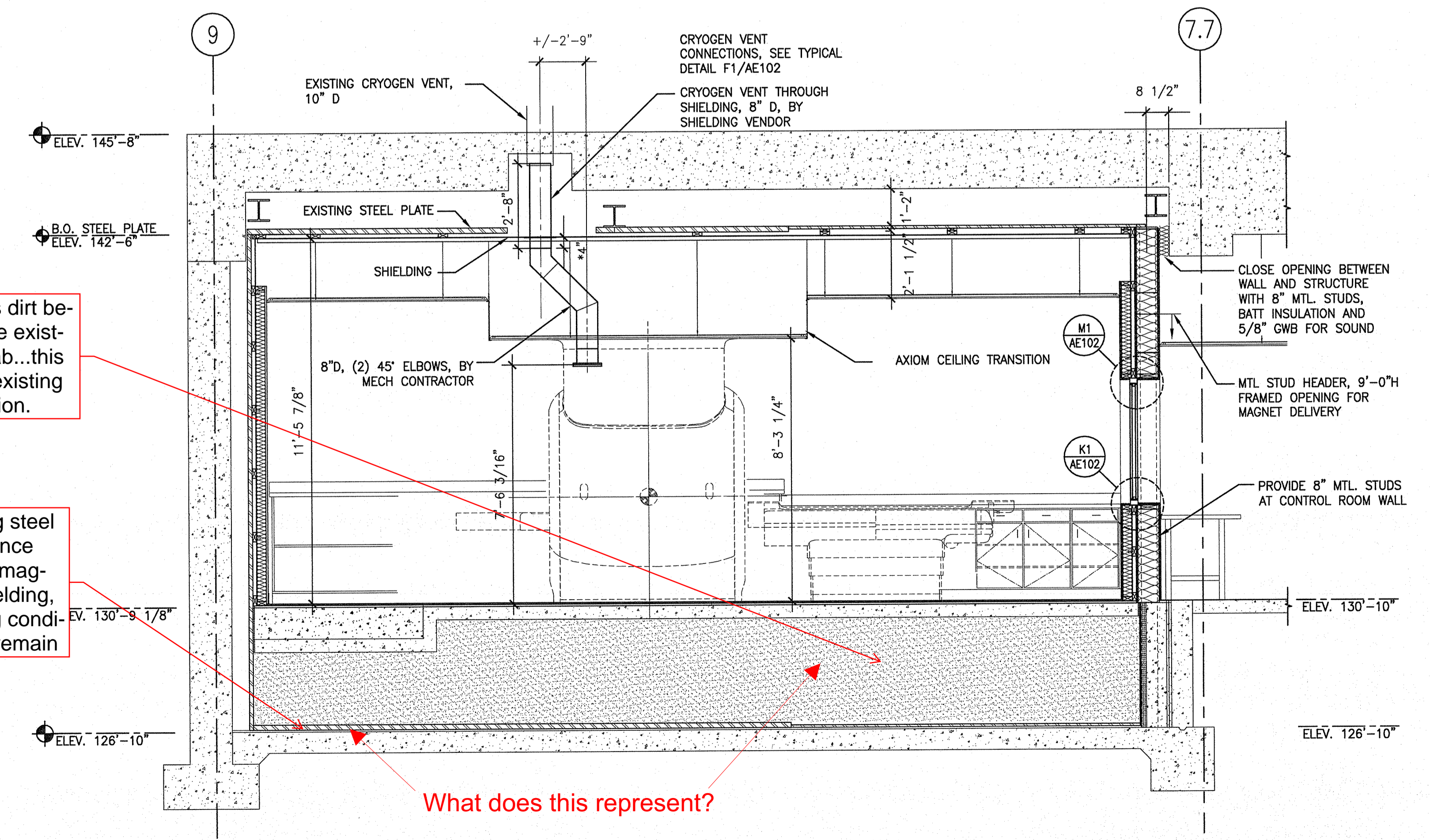
SOFFIT TRANSITION DETAIL D10
1/4"=1'-0"



STEEL PEDESTAL DETAIL A10
1/4"=1'-0"

This is dirt below the existing slab...this is an existing condition.

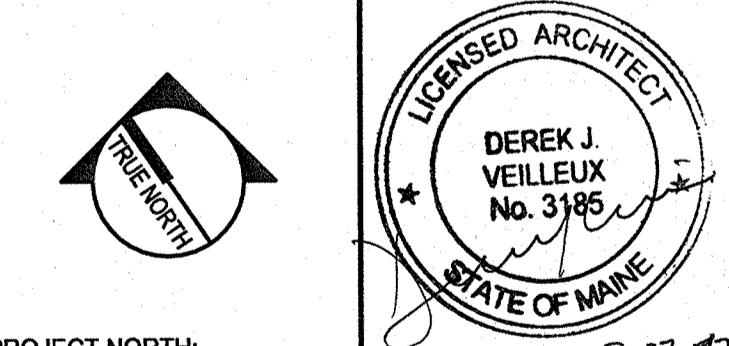
Existing steel plate, once use as magnet shielding, existing condition to remain



CONTROL ROOM SECTION A2
1/4"=1'-0"

What does this represent?

0	ISSUED FOR CONSTRUCTION	2-27-17
REV	DESCRIPTION	DATE
ISSUED FOR CONSTRUCTION 2-27-17		
CURRENT ISSUE STATUS:		



PROJECT NORTH:
SMRT Architects and Engineers
144 Fore Street
Portland, Maine 04104
1.877.700.7678
www.smrtinc.com

MAINE MEDICAL CENTER
BRAMHALL CAMPUS
MRI #1 REPLACEMENT
PORTLAND, MAINE
ELEVATIONS, SECTIONS, AND
DETAILS

SHEET TITLE:

SCALE: AS NOTED

PROJECT MANAGER: DJV	PROJECT NO: 16004
AVE OF RECORD: DJV	
JOB CAPTAIN: MDR	
DRAWN BY: MDR	
SMRT FILE: AE103-16004	SHEET No. AE103