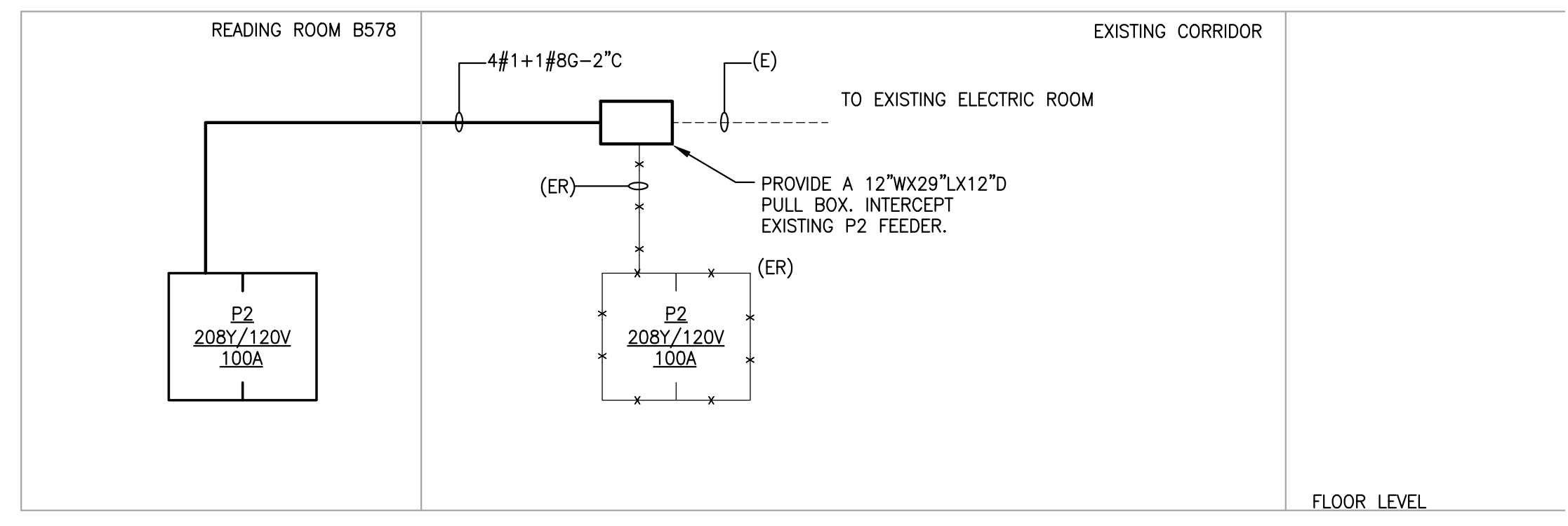




99 Bedford Street, 2nd Fl.
Boston, MA 02111
T: 617.737.1111 F: 617.737.4311
ARCHITECTURE / ENGINEERING / INTERIORS / ENERGY
NEW HAVEN / NEW CAN / PHOENIX / PITTSBURGH / PORTLAND / SEATTLE
PERMISSIONS / ANALYSIS / DESIGN / RENEWABLES / SPECIALTY CONTRACTORS
CONSTRUCTION / COMMERCIAL / EDUCATION / HEALTHCARE / HOUSING
MANUFACTURING / RETAIL / SECURITY / AIRFIELD DESIGN / SPECIAL APPLICATIONS
www.akfgroup.com



1 ELECTRICAL RISER DIAGRAM
SCALE: NTS

PANELBOARD SCHEDULES

PANEL	LOCATION	MTG.	VOLTAGE, #, W	CIRCUIT BREAKERS													SPACES	TOTAL POLES	AIC	BUS SIZE	MAIN C.B.	NEUTRAL 200%	GND. BUS	ISO. GND. BUS	REMARKS	
				20/1	20/1 GFCI	20/1 AFCI	20/2	20/3	25/3	30/1	30/2	30/3	40/2	40/3	50/2	60/3										100/3 ST
P2	READING ROOM B57B	SURF	208/120V, 3#, 4W	42	-	-	-	-	-	-	-	-	-	-	-	-	-	-	42	22K	100	MLO	-	100%	-	

SAVE DATE: 2/27/2017 4:00 PM
PLOT DATE: 2/27/2017 4:01 PM
LOGIN: Roy, Adam
\\mainframe\Projects\Projects\B160143-004\B160143-004-D-Design\Main\CA\Electrical\B160143-004_E2.0.dwg

0	ISSUED FOR CONSTRUCTION	2-27-17
REV	DESCRIPTION	DATE
0	ISSUED FOR CONSTRUCTION	2-27-17
CURRENT ISSUE STATUS:		
<p>PROJECT NORTH: SMRT Architects and Engineers 144 Fore Street Portland, Maine 04104 1.877.700.7678 www.smrtinc.com</p>		
<p>ARCHITECTURE ENGINEERING PLANNING INTERIORS ENERGY SMRT</p> <p>MAINE MEDICAL CENTER BRAMHALL CAMPUS MRI #1 REPLACEMENT PORTLAND, MAINE</p> <p>ELECTRICAL SCHEDULES</p>		
SHEET TITLE:		
SCALE: NTS		
PROJECT MANAGER:	PROJECT NO: B160143-004	
A/E OF RECORD:		
JOB CAPTAIN:		
DRAWN BY: AJR	E2.0	
SMRT FILE:	SHEET No.	