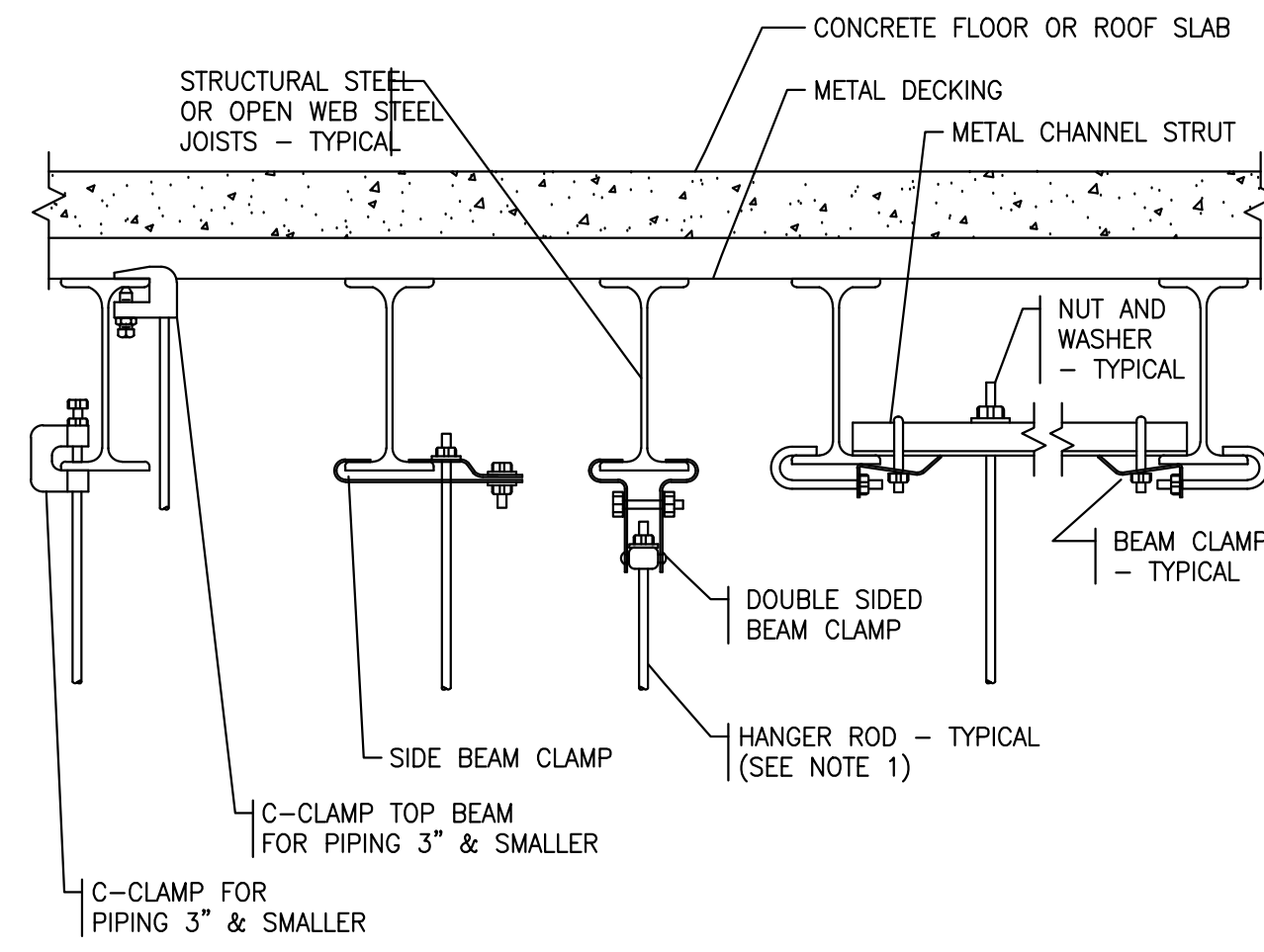


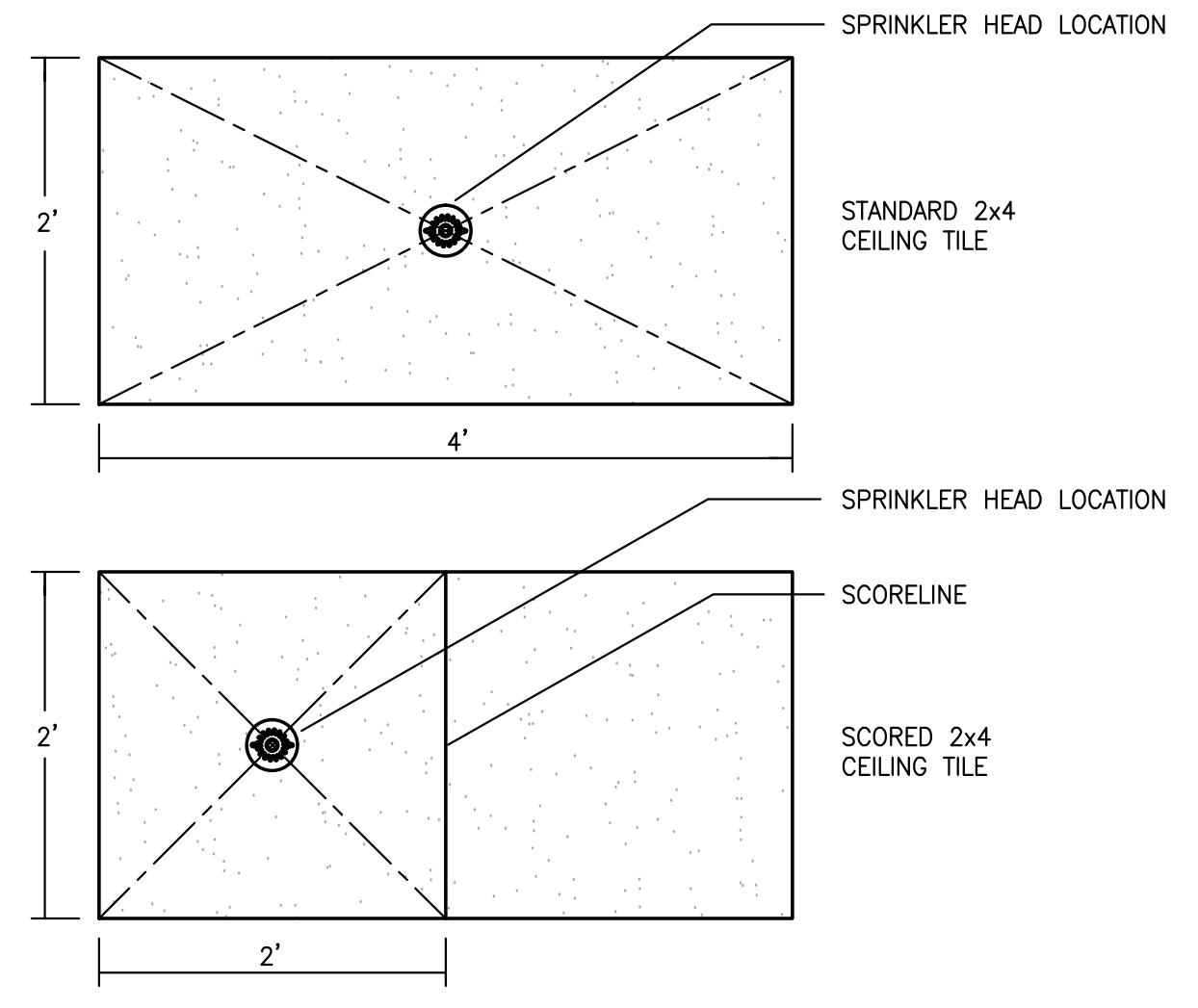
HANGER ROD SCHEDULE		HANGER ROD SPACING	
PIPE SIZE	ROD SIZE	PIPE SIZE	MAX. ALLOWABLE SPACING
UP TO 2"	3/8" DIA.	1"	7'
2 1/2" THRU 3"	1/2" DIA.	1 1/4"	8'
4" AND 5"	5/8"	1 1/2"	9'
6" THRU 8"	3/4"	2"	10'
12"	7/8"	2 1/2"	11'
		3" THRU 8"	12'
		10" & 12"	15'

**1 PIPE HANGER INSTALLATION DETAIL**  
SCALE: N.T.S.

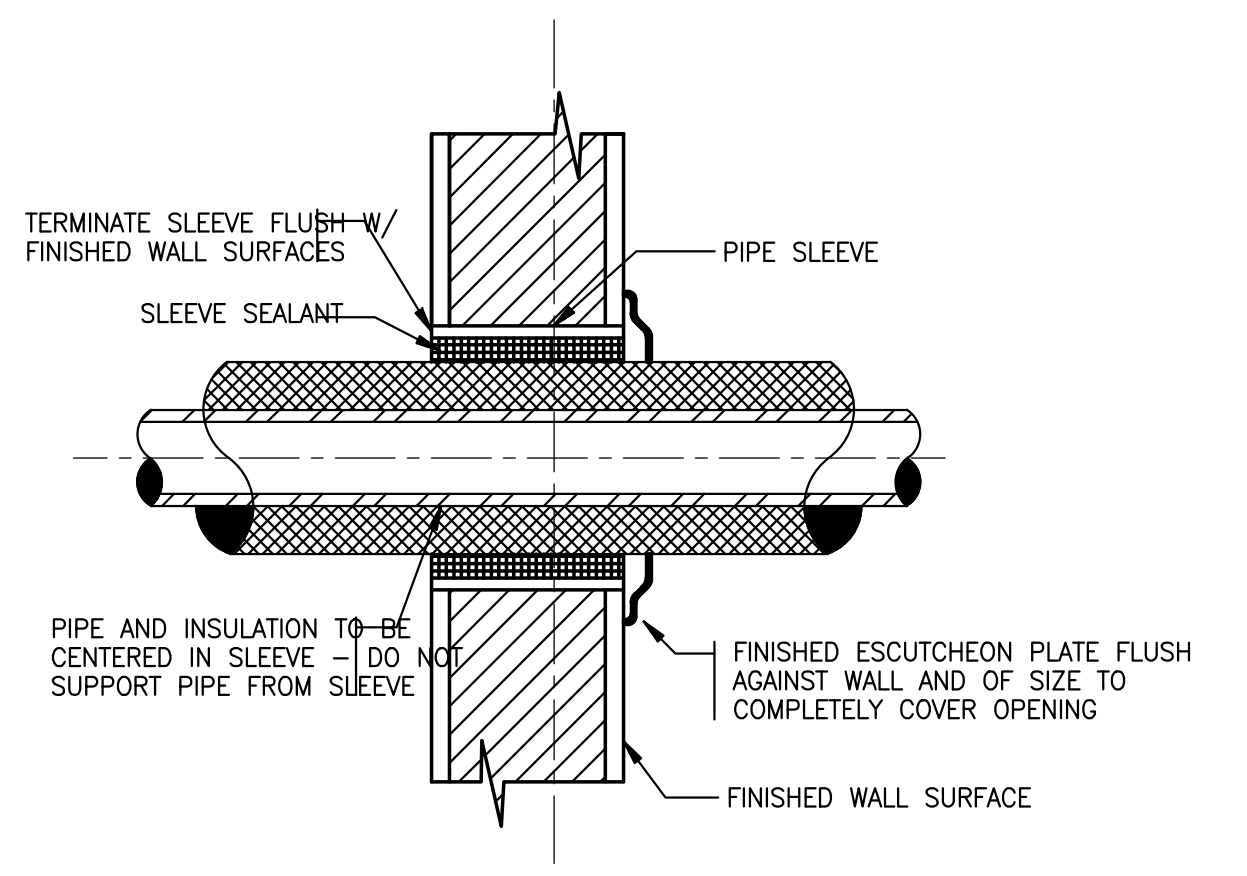


NOTE 1  
REFER TO PIPE HANGER DETAIL FOR HANGER ROD SIZE. FOR CEILING SUSPENDED EQUIPMENT PROVIDE MIN. 3/8" DIA. HANGER ROD (REFER TO MANUFACTURERS INSTALLATION INSTRUCTIONS).

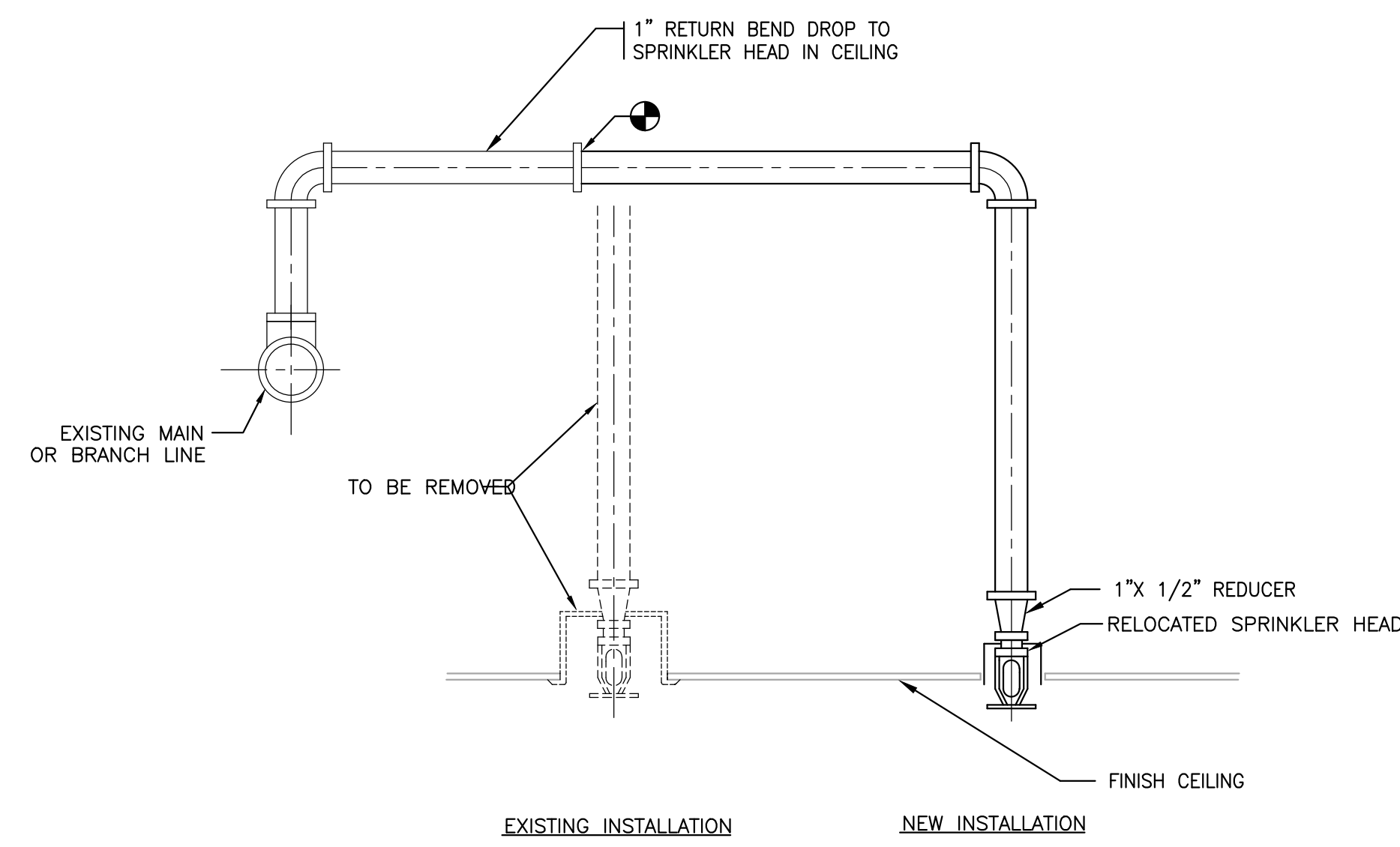
**2 TYPICAL METHODS OF SECURING HANGER RODS TO STRUCTURAL STEEL DETAIL**



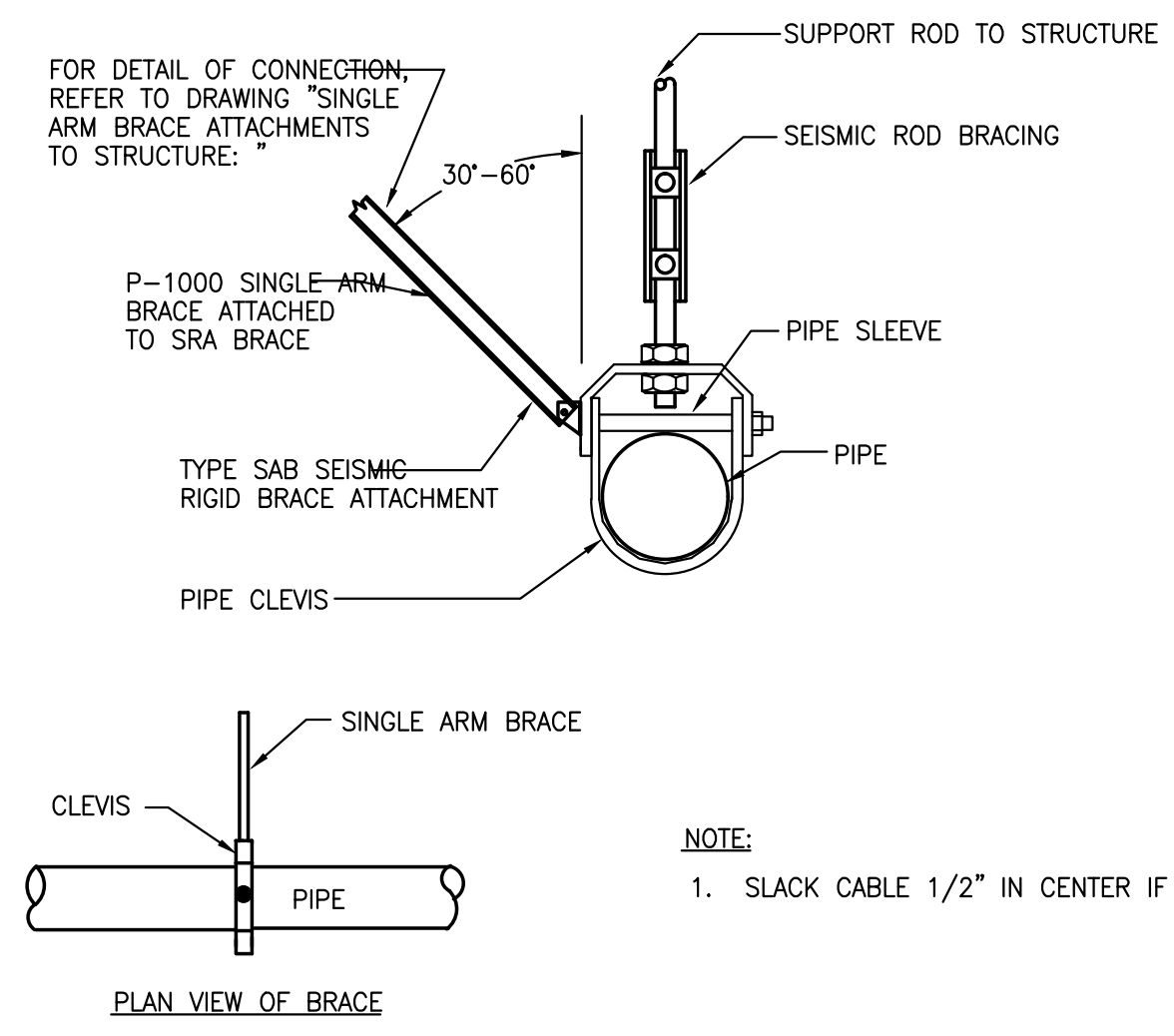
**3 LOCATION OF SPRINKLER HEADS IN CEILING PANELS**  
SCALE: N.T.S.



**4 PIPE SLEEVE THRU INTERIOR WALL**  
SCALE: N.T.S.

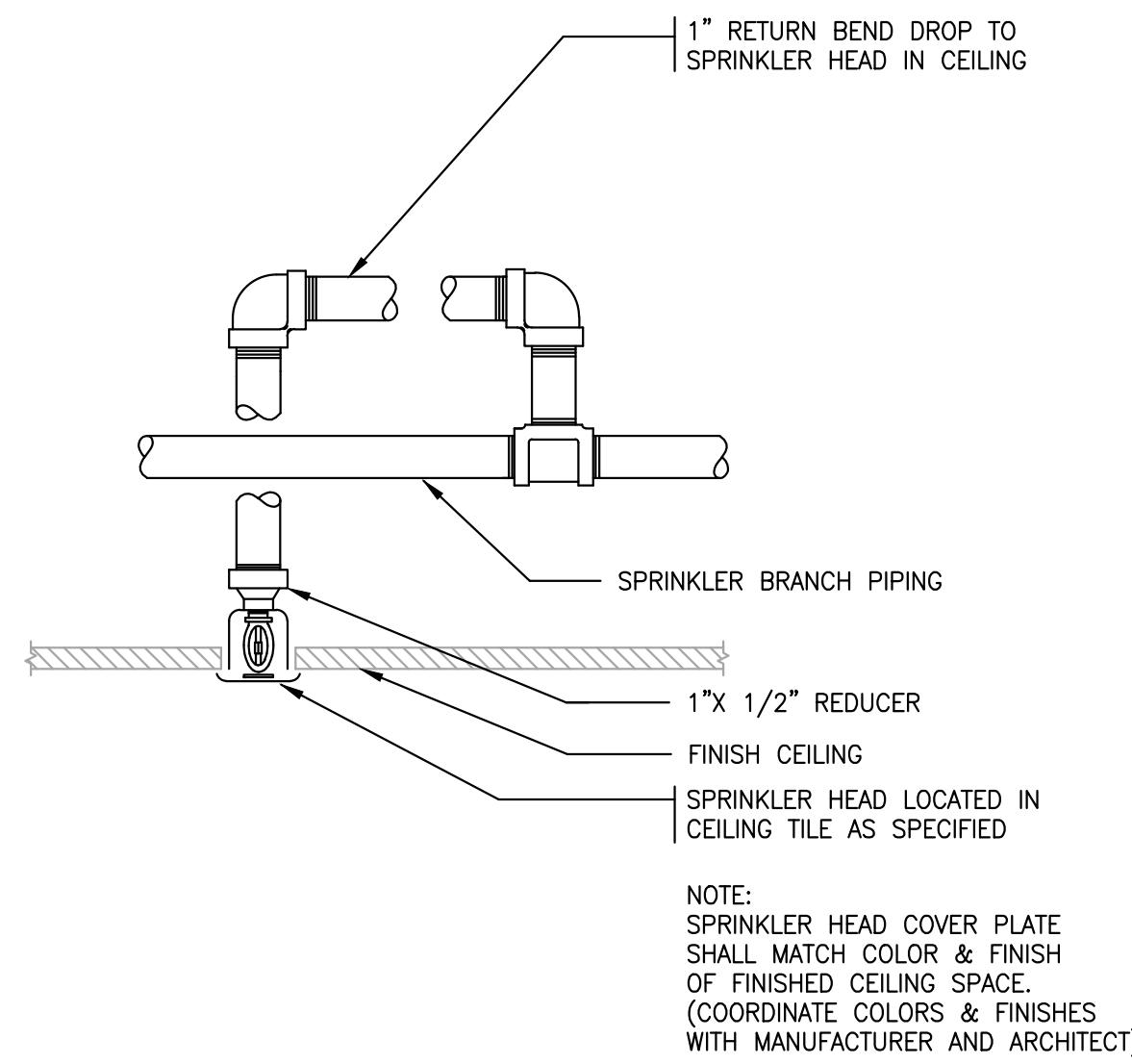


**5 TYPICAL SPRINKLER HEAD RELOCATION**  
SCALE: N.T.S.



NOTE:  
1. SLACK CABLE 1/2" IN CENTER IF ISOLATED.

**6 TRANSVERSE ARM BRACE FOR CLEVIS HUNG PIPING**

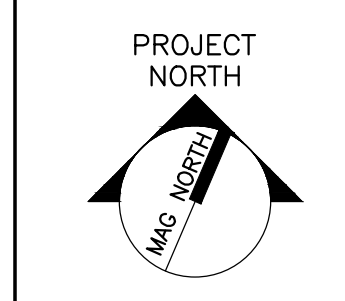


NOTE:  
SPRINKLER HEAD COVER PLATE SHALL MATCH COLOR & FINISH OF FINISHED CEILING SPACE. (COORDINATE COLORS & FINISHES WITH MANUFACTURER AND ARCHITECT)

**7 TYPICAL CONCEALED SPRINKLER HEAD RETURN BEND DROP**

144 Fore Street, P.O. Box 618  
Portland, Maine 04104  
Tel. (207) 772-3846  
Fax. (207) 772-1070  
www.smtinc.com

ARCHITECTURE  
ENGINEERING  
PLANNING  
INTERIOR DESIGN  
COMMISSIONING



**AKF**  
99 Bedford Street, 2nd Fl.  
Boston, MA 02111  
T: 617.737.1111 F: 617.737.4311

MAINE MEDICAL CENTER  
IR READING ROOM AND U/S RENOVATION  
PORTLAND, MAINE

REV	DESCRIPTION	DATE
03-31-17	ISSUED FOR PERMITTING	

GRAPHIC SCALE:  
0" 1"

SCALE: N.T.S.

PROJECT MANAGER:  
JC/DRAWN BY:  
A/E OF RECORD:  
CAD FILE:  
PROJECT NO.: B160305-000  
DATE: 03-31-17  
SHEET TITLE:  
**FIRE PROTECTION DETAILS**  
SHEET No.  
**F-200**



SAVE DATE: 2/23/2017 5:03 PM  
PLOT DATE: 3/31/2017 2:06 PM  
LOGIN: Jaques, Christopher  
P:\Projects\B160305-000\Design Mgmt\CAD\FPB\160305-000\_F-200.dwg