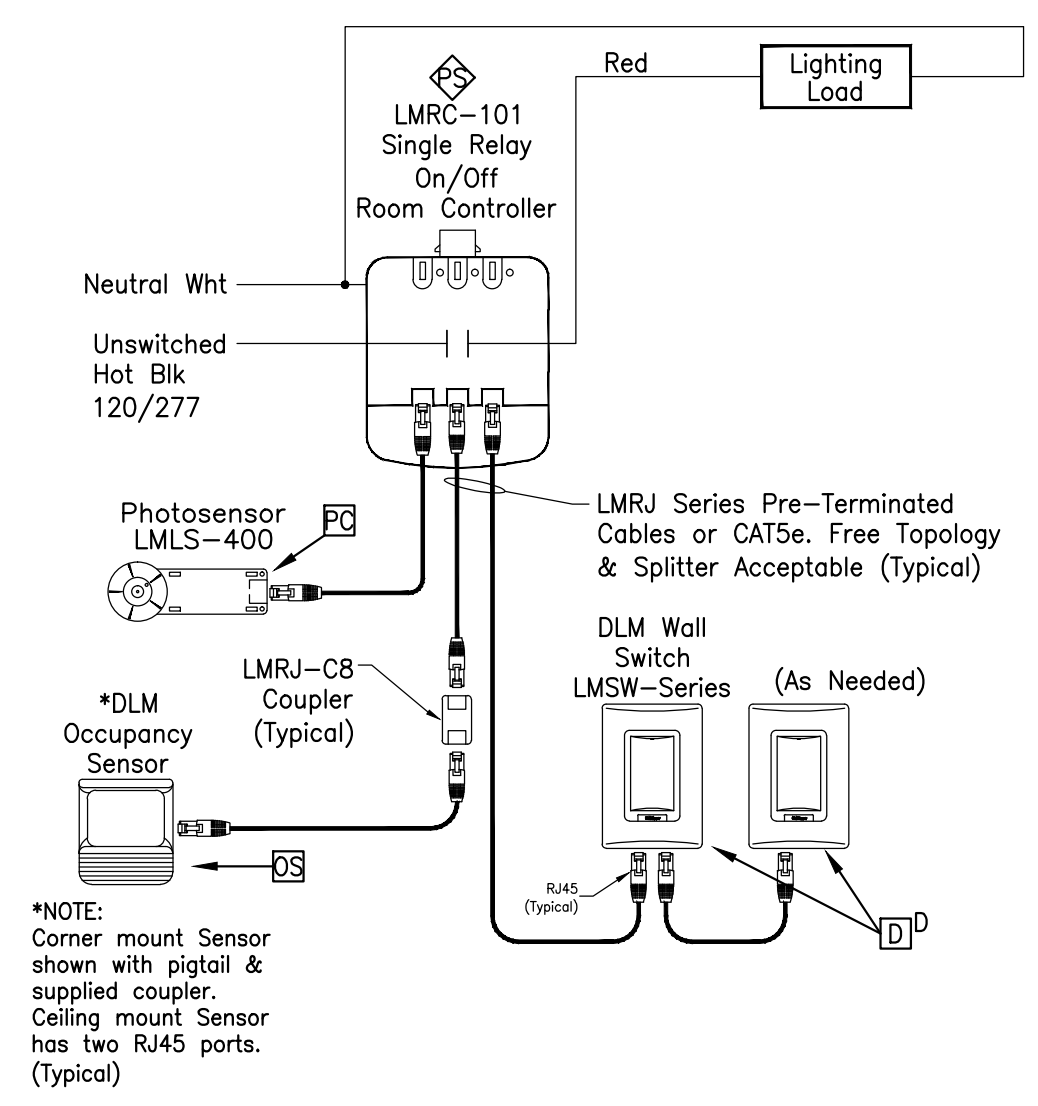


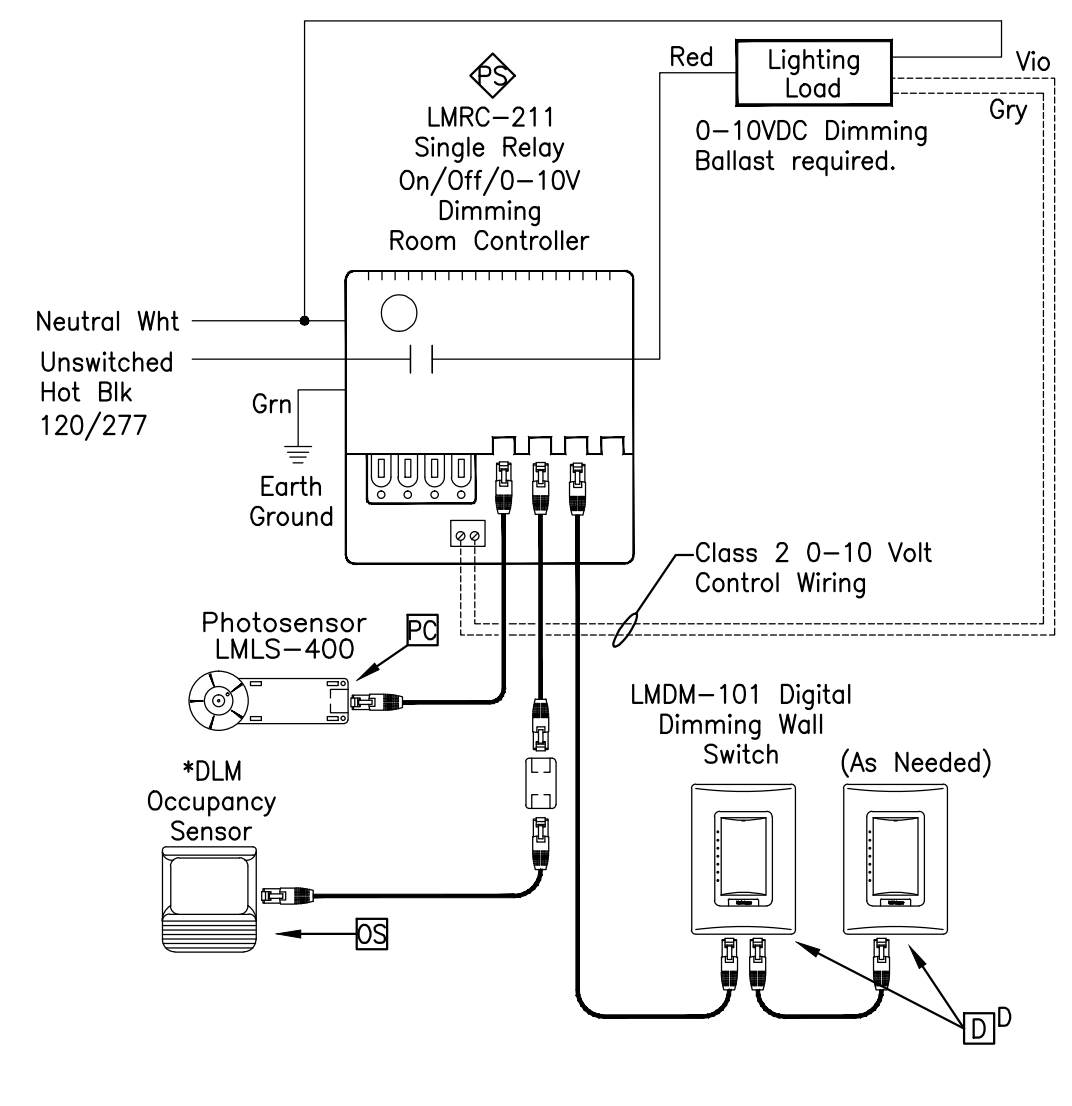
① Single Switch
DSW-301



*NOTE: Corner mount Sensor shown with pigtail & supplied coupler. Ceiling mount Sensor has two RJ45 ports. (Typical)

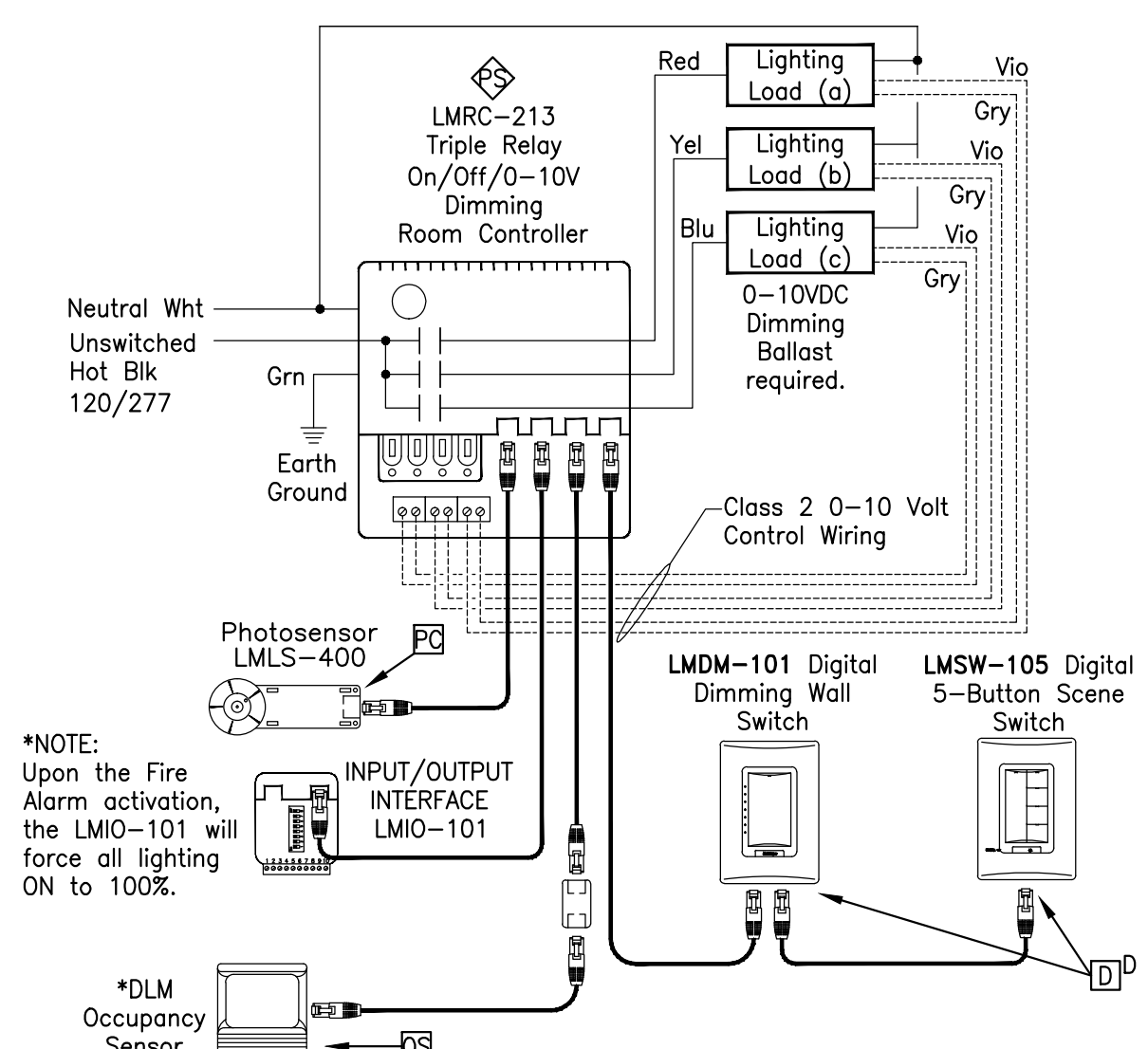
DEVICES ARE PRESET FOR PLUG n' GO™ OPERATION. ADJUSTMENT IS OPTIONAL. Sequence of Operation: In this configuration The LMRC-101 defaults to manual-on/automatic off. Maximum of 4 room controllers, controlling up to 8 loads and up to 24 communicating devices per DLM local network. For full operational details, adjustments and more features of the product, see the DLM System Installation Guide at www.wattstopper.com

② LMRC-101
Single Relay Wiring Diagram



DEVICES ARE PRESET FOR PLUG n' GO™ OPERATION. ADJUSTMENT IS OPTIONAL. Sequence of Operation: In this configuration the LMRC-211 defaults to manual-on/automatic-off operation. Enhanced room controllers support up to 64 loads and 48 devices per DLM local network. At system startup, default dimming parameters are established including: levels for presets 1-4; fade times; and fade and ramp rates. Dimming and system parameters may be customized. For full operational details, adjustments and more features of the product, see the DLM System Installation Guide at www.wattstopper.com

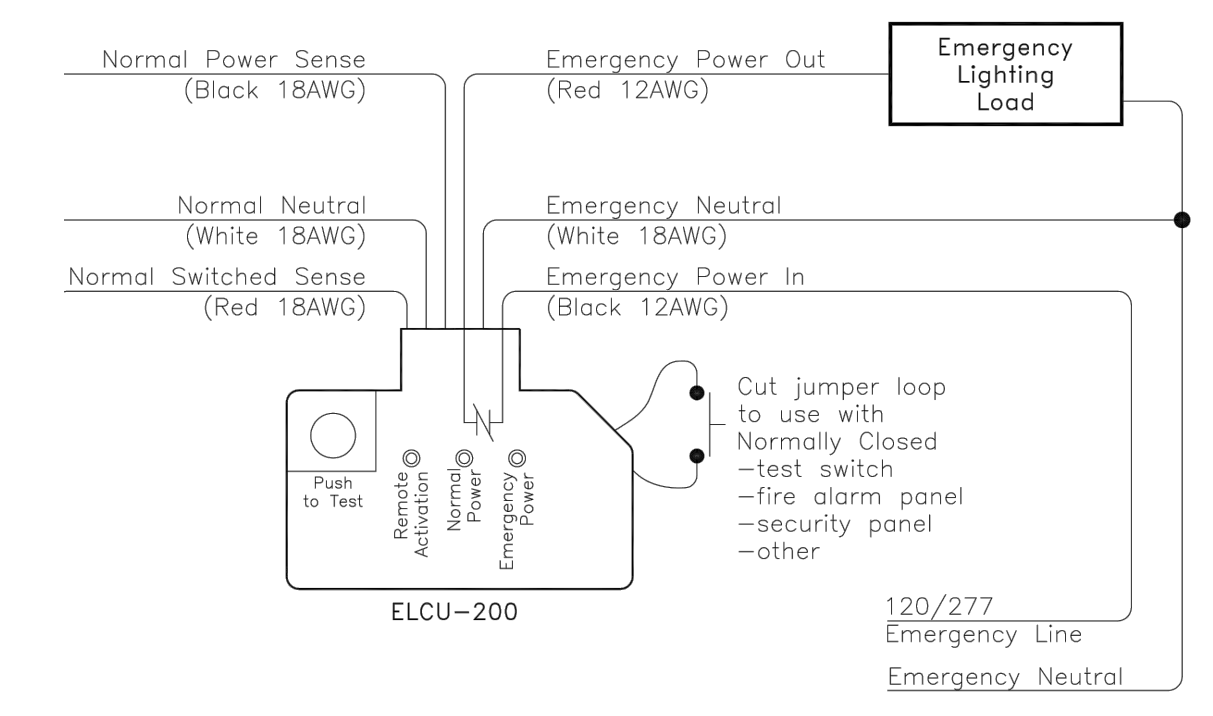
③ LMRC-211 Single Relay
0-10V Dimming Wiring Diagram



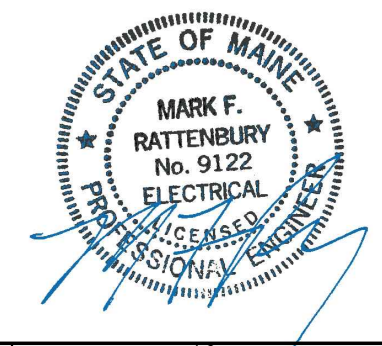
*NOTE: Upon the Fire Alarm activation, the LMIO-101 will force all lighting ON to 100%.

DEVICES ARE PRESET FOR PLUG n' GO™ OPERATION. ADJUSTMENT IS OPTIONAL. Sequence of Operation: In this configuration the LMRC-213 defaults to multi-level automatic-on/automatic-off operation. Load (a) on the LMRC-213 turns on automatically, while Load (b) & (c) defaults to manual-on control; all relays turn off automatically. Enhanced room controllers support up to 64 loads and 48 devices per DLM local network. At system startup, default dimming parameters are established including: levels for presets 1-4; fade times; and fade and ramp rates. Dimming and system parameters may be customized. For full operational details, adjustments and more features of the product, see the DLM System Installation Guide at www.wattstopper.com

④ LMRC-213 Triple Relay
0-10V Dimming Wiring Diagram

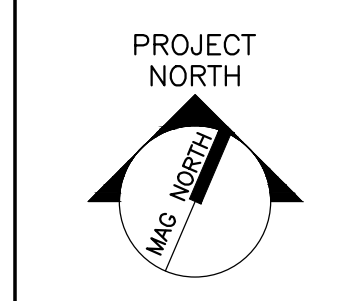


⑤ EMERGENCY POWER BYPASS SWITCH
WIRING DIAGRAM



144 Fore Street/P.O. Box 618
Portland, Maine 04104
tel. (207) 772-3846
fax. (207) 772-1070
www.smtinc.com

ARCHITECTURE
ENGINEERING
PLANNING
INTERIOR DESIGN
COMMISSIONING



AKF
99 Bedford Street, 2nd Fl.
Boston, MA 02111
T: 617.737.1111 F: 617.737.4311

MAINE MEDICAL CENTER
IR READING ROOM AND U/S RENOVATION
PORTLAND, MAINE

REV	DESCRIPTION	DATE
03-31-17	ISSUED FOR PERMITTING	

GRAPHIC SCALE:
0" 1"

SCALE: NTS

PROJECT MANAGER:
JC/DRAWN BY:
A/E OF RECORD:
CAD FILE:
PROJECT NO.: B160305-000
DATE: 03-31-17
SHEET TITLE:
ELECTRICAL
SCHEDULES AND
DETAILS
SHEET No.
E-400

SAVE DATE: 2/24/2017 10:52 AM
PLOT DATE: 3/31/2017 1:58 PM
LOGIN: Jacques, Christopher
P:\Projects\B160000\B160305-000\Design Mgmt\CADD\Elect\B160305-000_E-400.dwg