

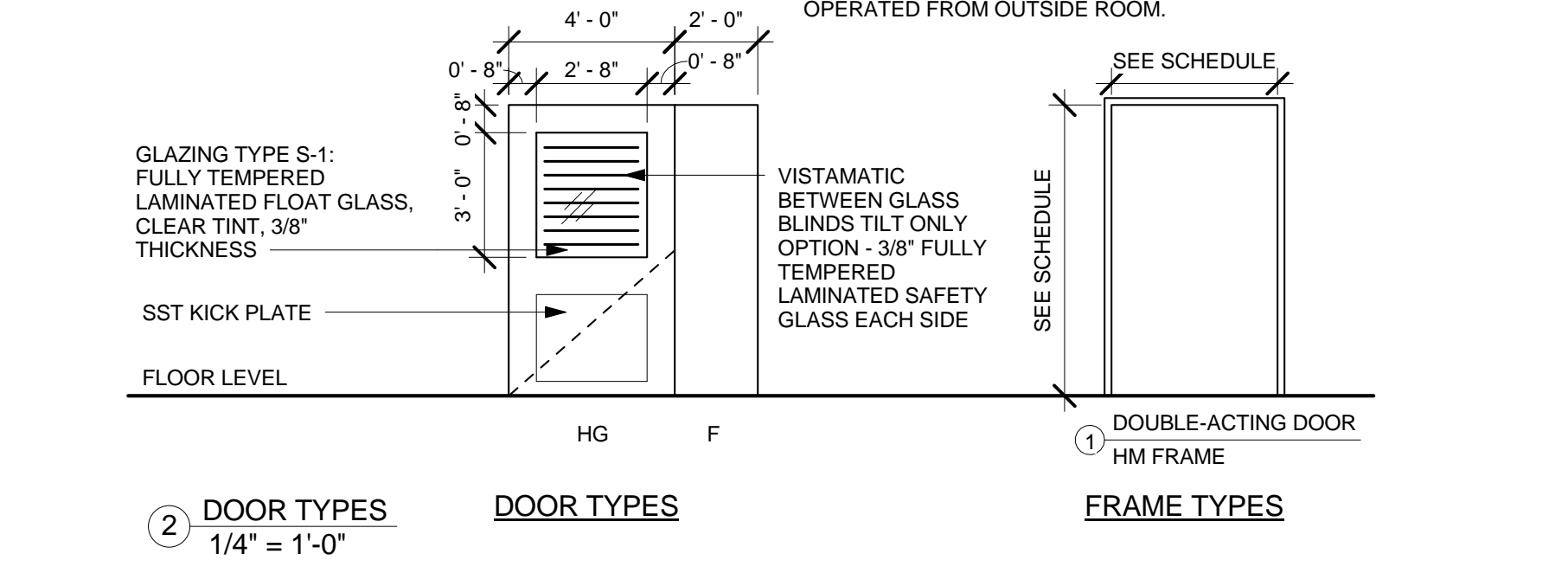
**ROOM SCHEDULE**

NUMBER	NAME	CEILING TYPE	CEILING FINISH	WALL FINISH			REMARKS
				EAST	NORTH	SOUTH	
B15	EXAM	GYP	PT	*	*	*	PATCH FLOOR TO MATCH EXISTING
B14	EXAM	GYP	PT	*	*	*	PATCH FLOOR TO MATCH EXISTING
B760	TOILET	GYP	PT	*	*	*	PATCH FLOOR TO MATCH EXISTING
B13	EXAM	GYP	PT	*	*	*	PATCH FLOOR TO MATCH EXISTING
B12	EXAM	GYP	PT	*	*	*	PATCH FLOOR TO MATCH EXISTING

\*NOTE: EXISTING GWB & BASE TO REMAIN. PATCH AND PAINT TO MATCH EXISTING FINISHES AS REQUIRED. ALL LOCATIONS.

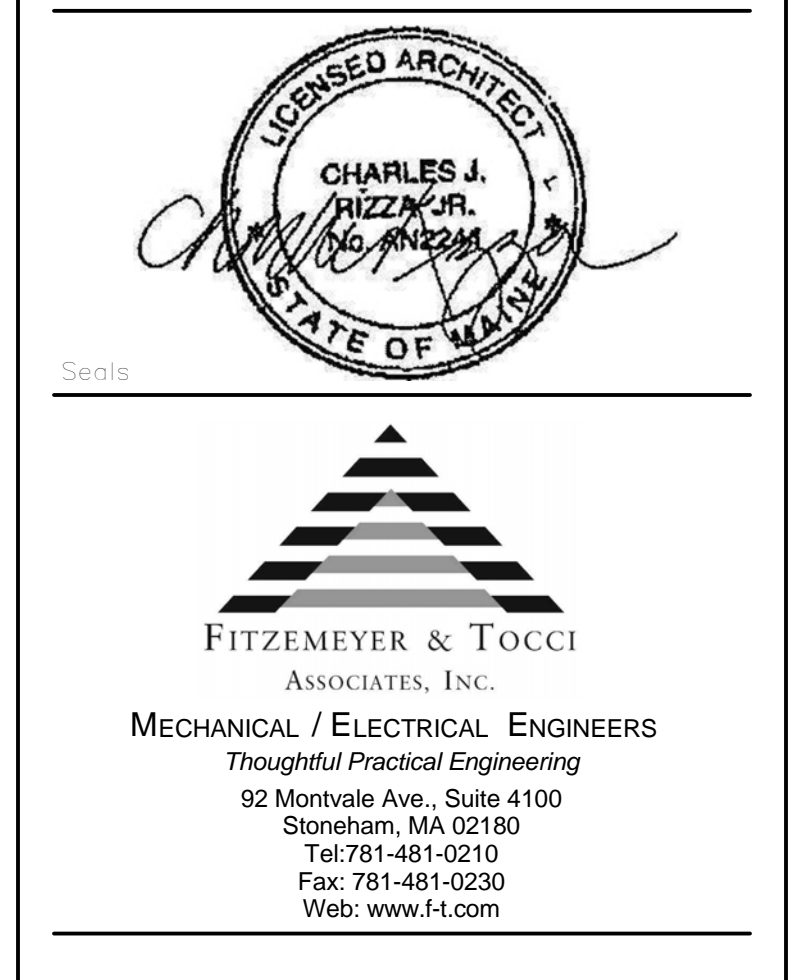
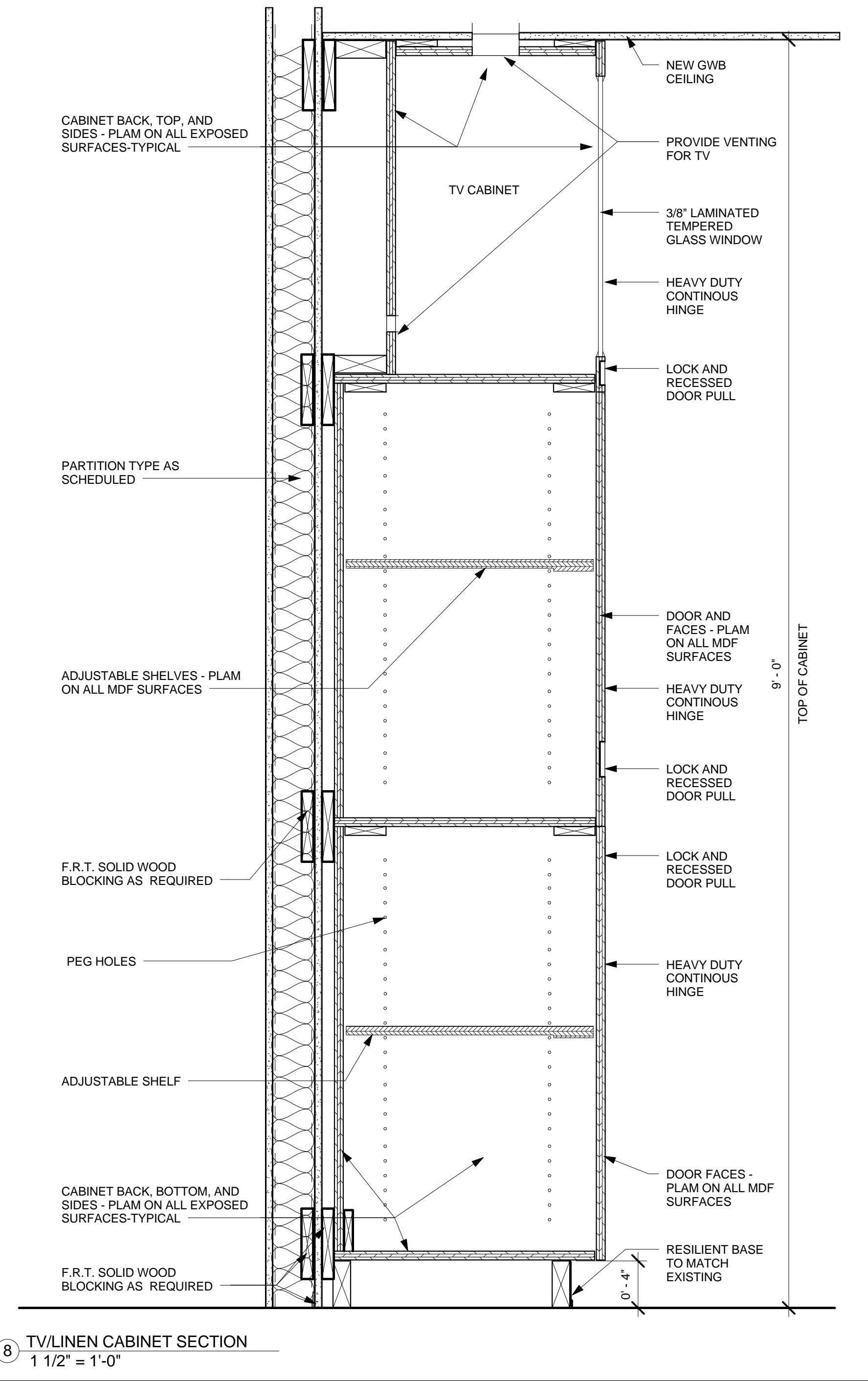
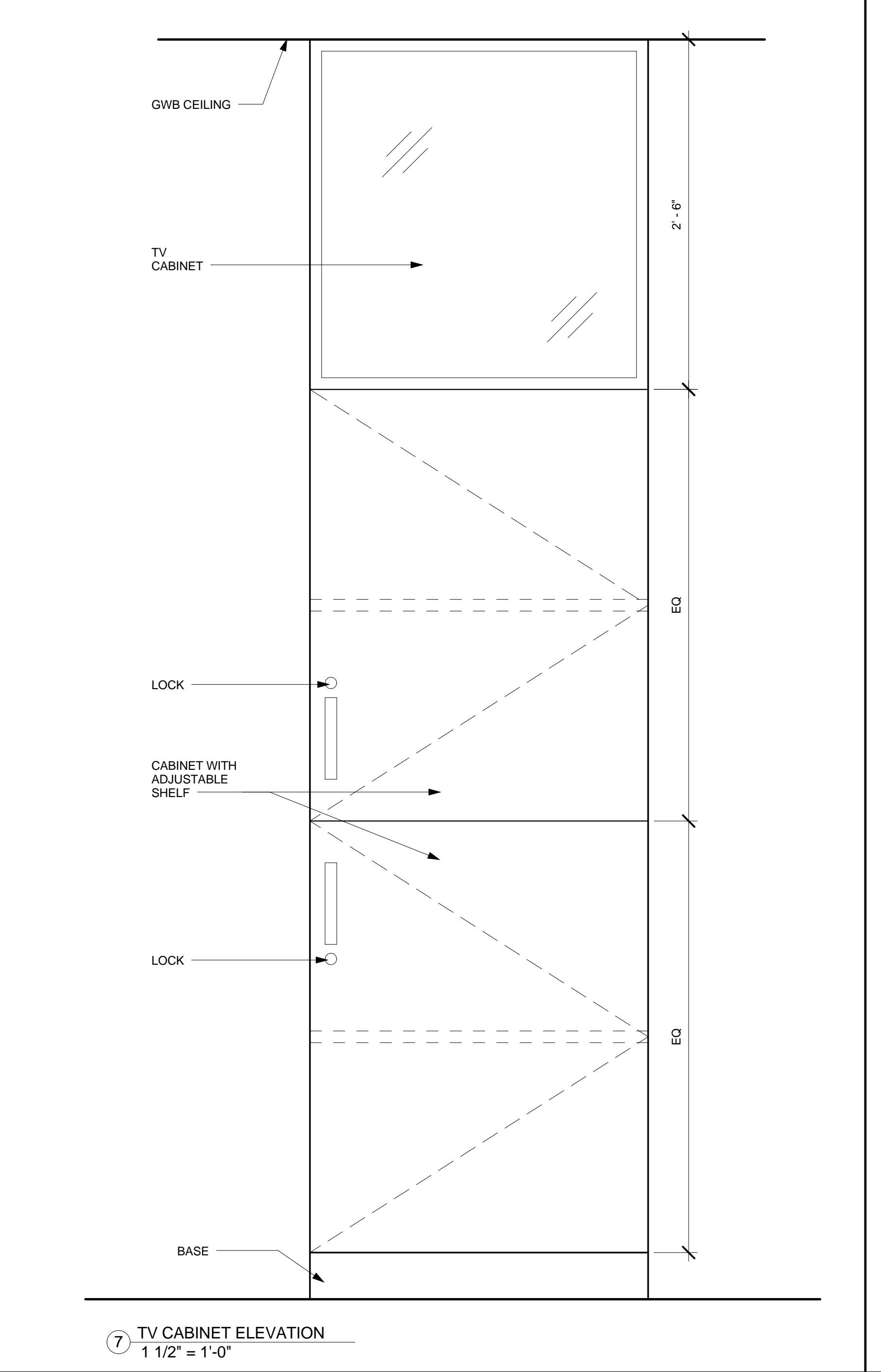
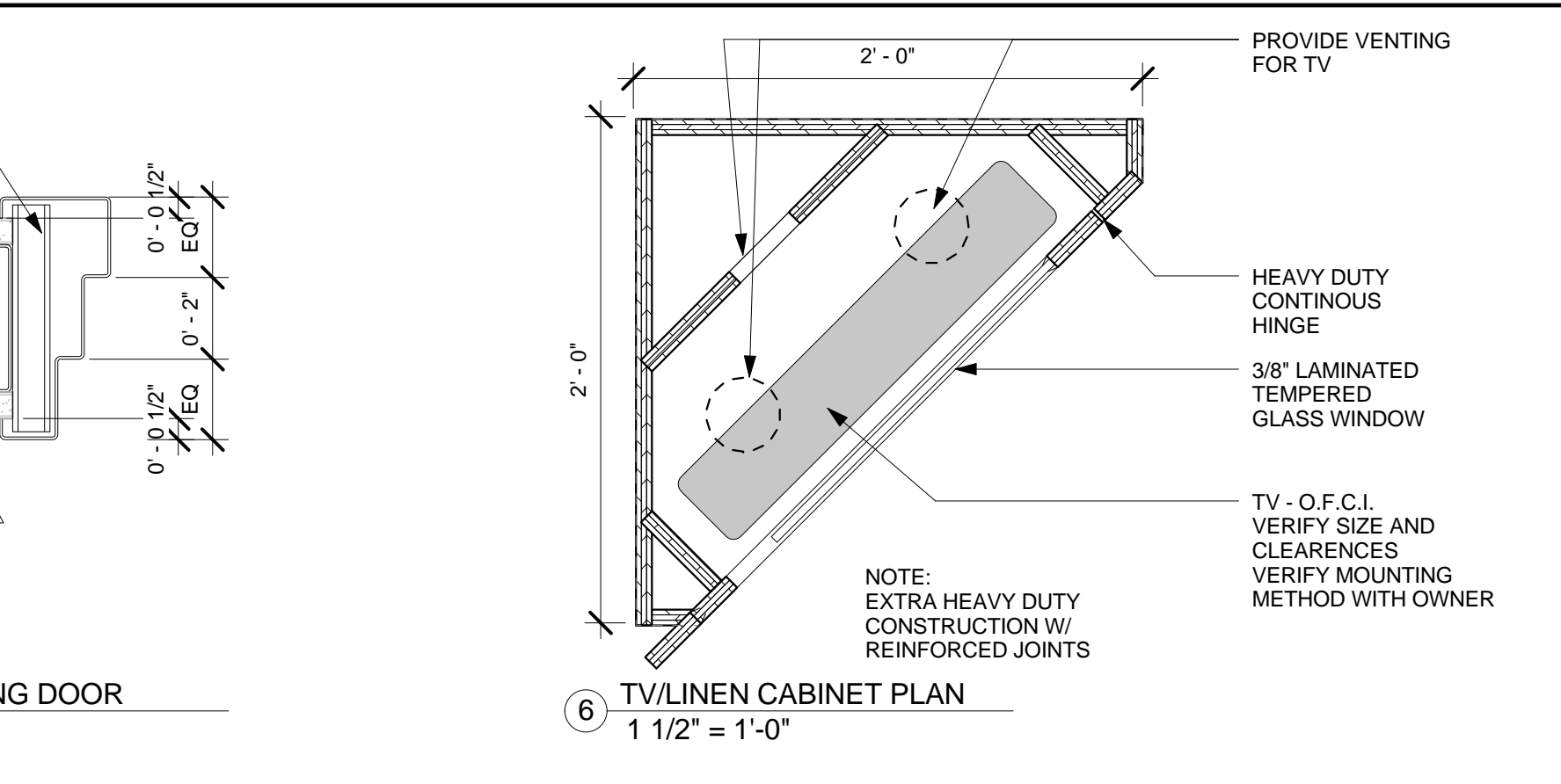
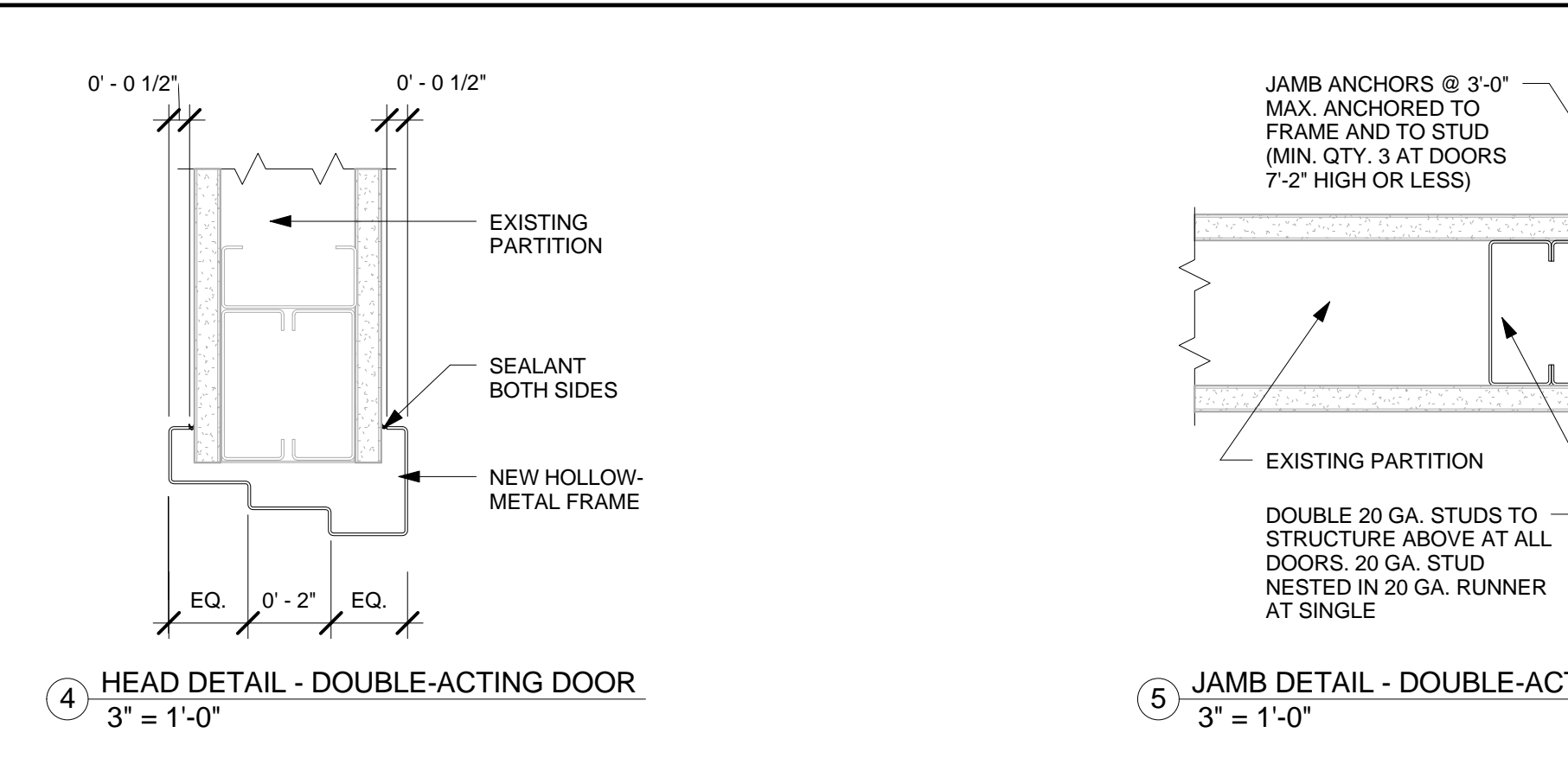
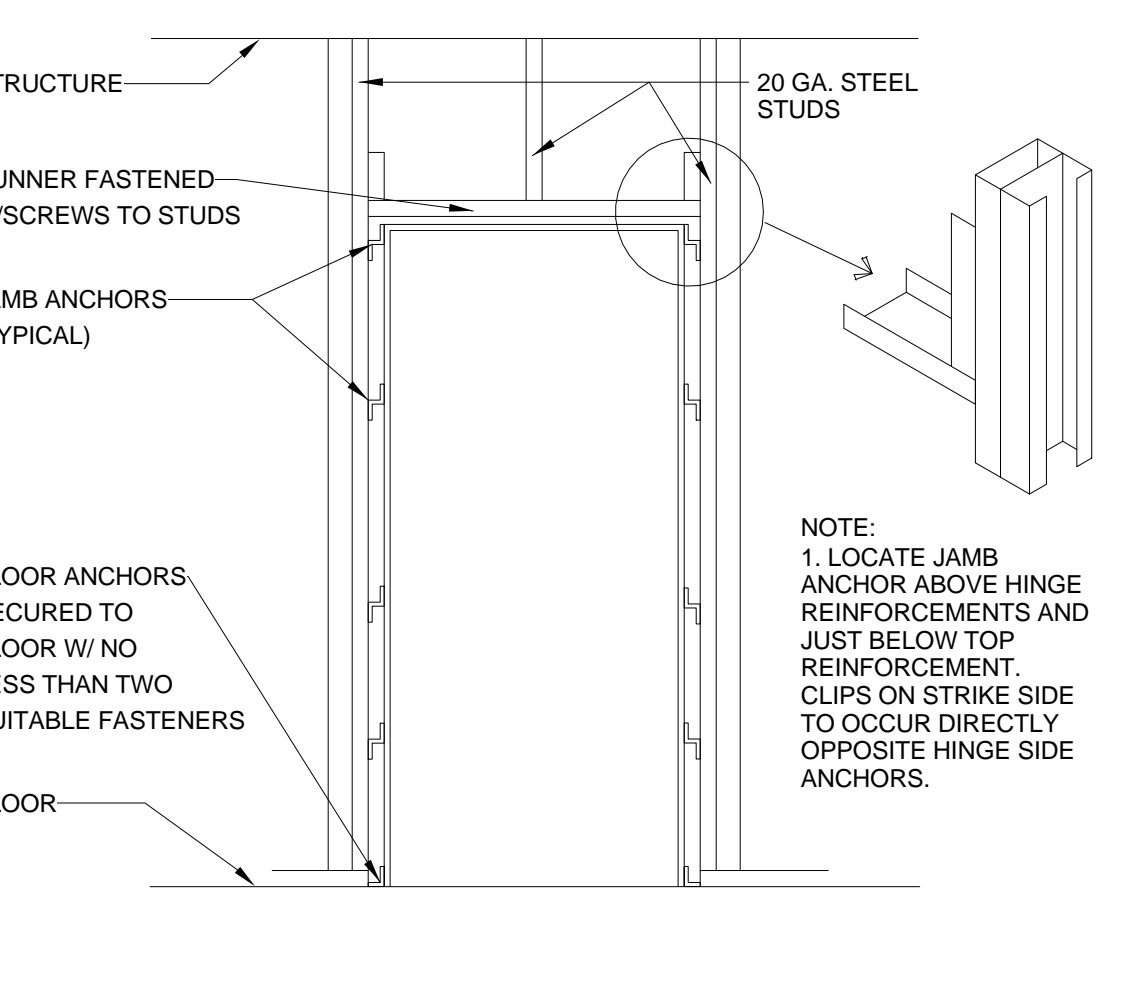
**DOOR SCHEDULE**

NUMBER	DOOR TYPE	MATERIAL	WIDTH	HEIGHT	FRAME TYPE	GLAZING TYPE	HARDWARE			REMARKS
							HEAVY DUTY CONTINUOUS HINGE	HOSPITAL LATCH	CONCEALED FLUSH BOLTS	
B15	HG/F	WD	6'-0"	7'-0"	1	HM	S-1	HEAVY DUTY CONTINUOUS HINGE, HOSPITAL LATCH, CONCEALED FLUSH BOLTS, SST KICK PLATE	SMOKE	
B14	HG/F	WD	6'-0"	7'-0"	1	HM	S-1	HEAVY DUTY CONTINUOUS HINGE, HOSPITAL LATCH, CONCEALED FLUSH BOLTS, SST KICK PLATE	SMOKE	
B13	HG/F	WD	6'-0"	7'-0"	1	HM	S-1	HEAVY DUTY CONTINUOUS HINGE, HOSPITAL LATCH, CONCEALED FLUSH BOLTS, SST KICK PLATE	SMOKE	
B12	HG/F	WD	6'-0"	7'-0"	1	HM	S-1	HEAVY DUTY CONTINUOUS HINGE, HOSPITAL LATCH, CONCEALED FLUSH BOLTS, SST KICK PLATE	SMOKE	



**GENERAL NOTES**

- ALL DOORS MUST OPEN TO A FULL 90° (OR MORE WHERE INDICATED).
- MAINTAIN A 4" MINIMUM CLEARANCE (UNLESS OTHERWISE SHOWN IN PLAN) BETWEEN DOOR JAMB AND ADJACENT PARTITION.
- MAINTAIN CONTINUITY OF SMOKE AND RATED PARTITIONS AT FRAMES.
- CONTRACTOR TO COORDINATE DOOR VISION PANEL CUT-OUT W/ HARDWARE CUTOUTS
- REFER TO SPECIFICATIONS FOR HARDWARE SET TYPES
- ALL RATED DOORS AND SMOKE DOORS SHALL BE POSITIVE LATCHING.
- MANUFACTURER'S INSTALLATION INSTRUCTIONS SHALL BE AVAILABLE ON THE JOB SITE FOR ALL RATED DOOR ASSEMBLIES.
- HAND ACTIVATED DOOR OPENING HARDWARE SHALL BE CENTERED BETWEEN 30 INCHES AND 44 INCHES ABOVE THE FLOOR.
- FIELD VERIFY EXISTING WALL FOR THROAT DIMENSION OF FRAME WHERE A NEW DOOR IS INSTALLED IN AN EXISTING WALL. ALSO, FIELD VERIFY DIMENSIONS WHERE A NEW WALL IS TO ALIGN WITH THE EXISTING WALL.



Project North

Key Plan N.T.S.

Revision	Date	No
AS1-01	1-13-15	