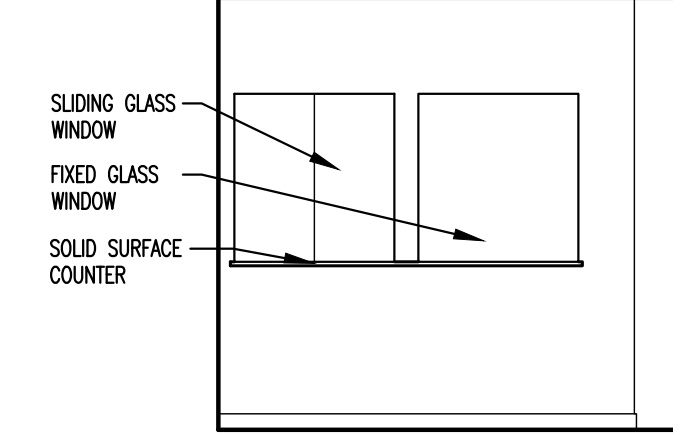
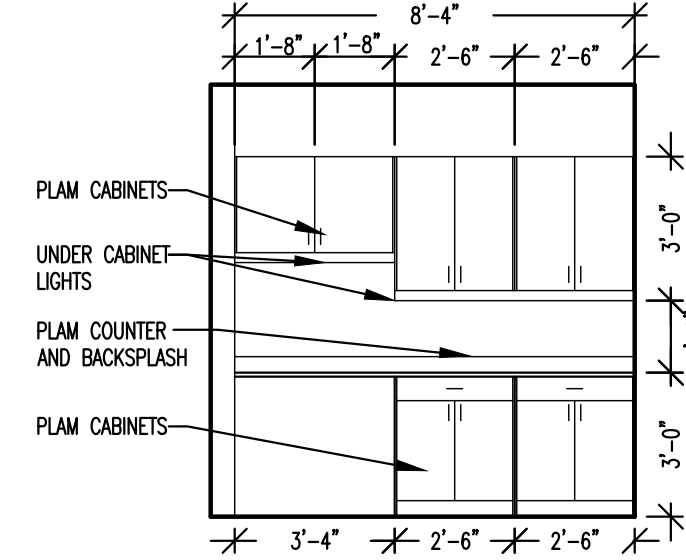


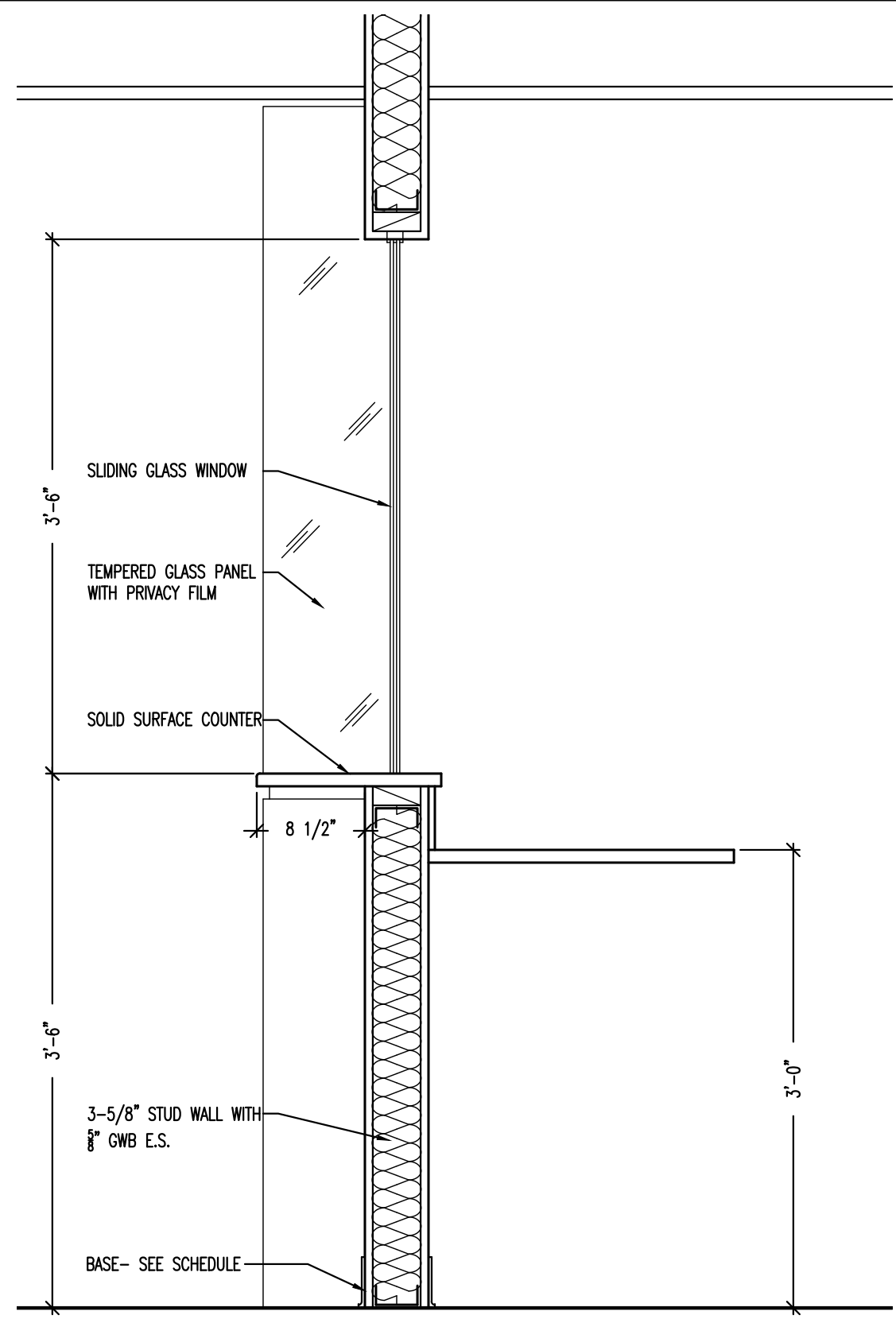
1 INTERIOR ELEVATION
A1.1/A2.1 0 4'-0" SCALE: 1/4" = 1'-0"



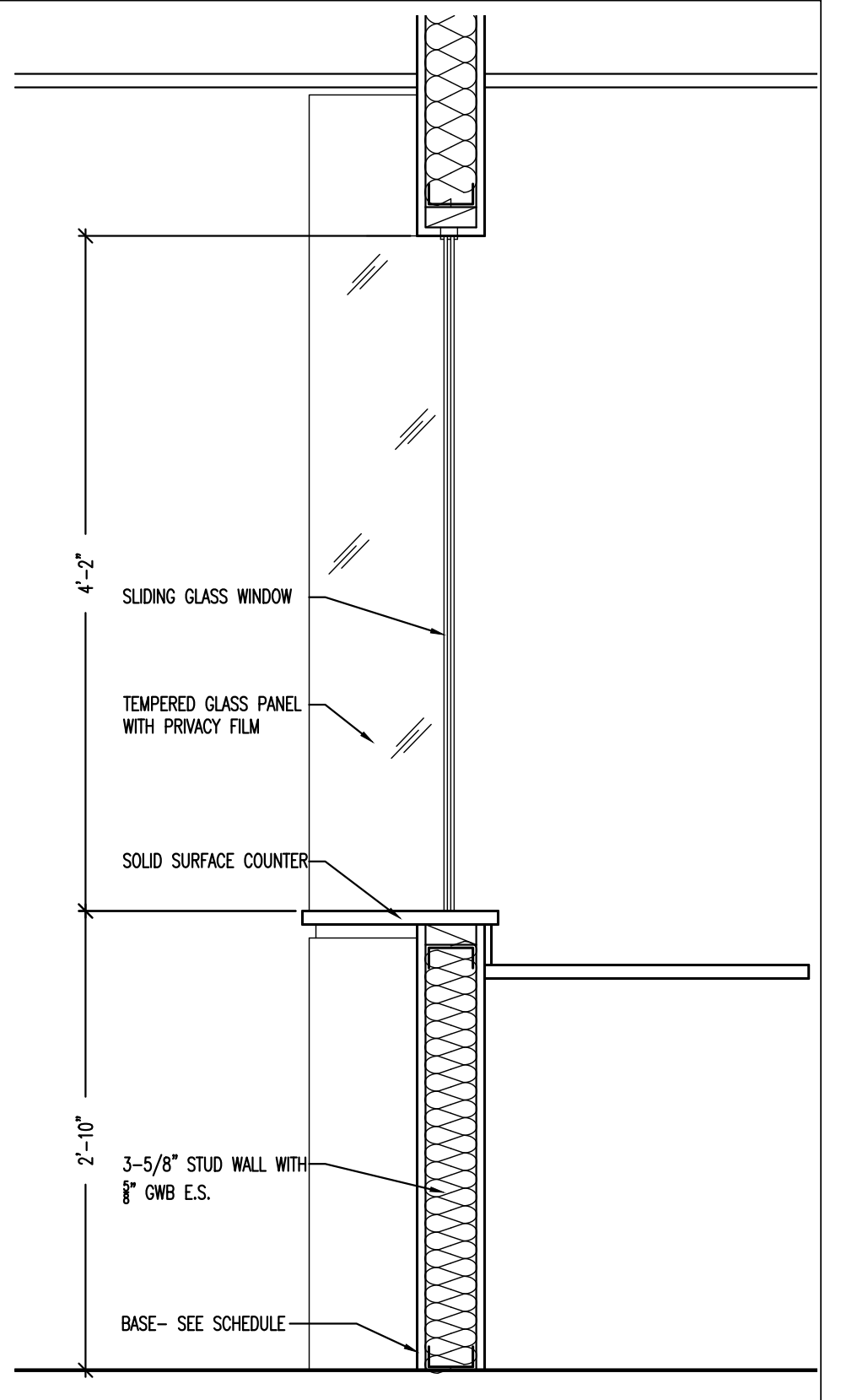
2 INTERIOR ELEVATION
A1.1/A2.1 0 4'-0" SCALE: 1/4" = 1'-0"



3 INTERIOR ELEVATION
A1.1/A2.1 0 4'-0" SCALE: 1/4" = 1'-0"



4 WALL SECTION
A1.1/A2.1 0 1'-0" SCALE: 12" = 1'-0"



5 WALL SECTION
A1.1/A2.1 0 1'-0" SCALE: 12" = 1'-0"