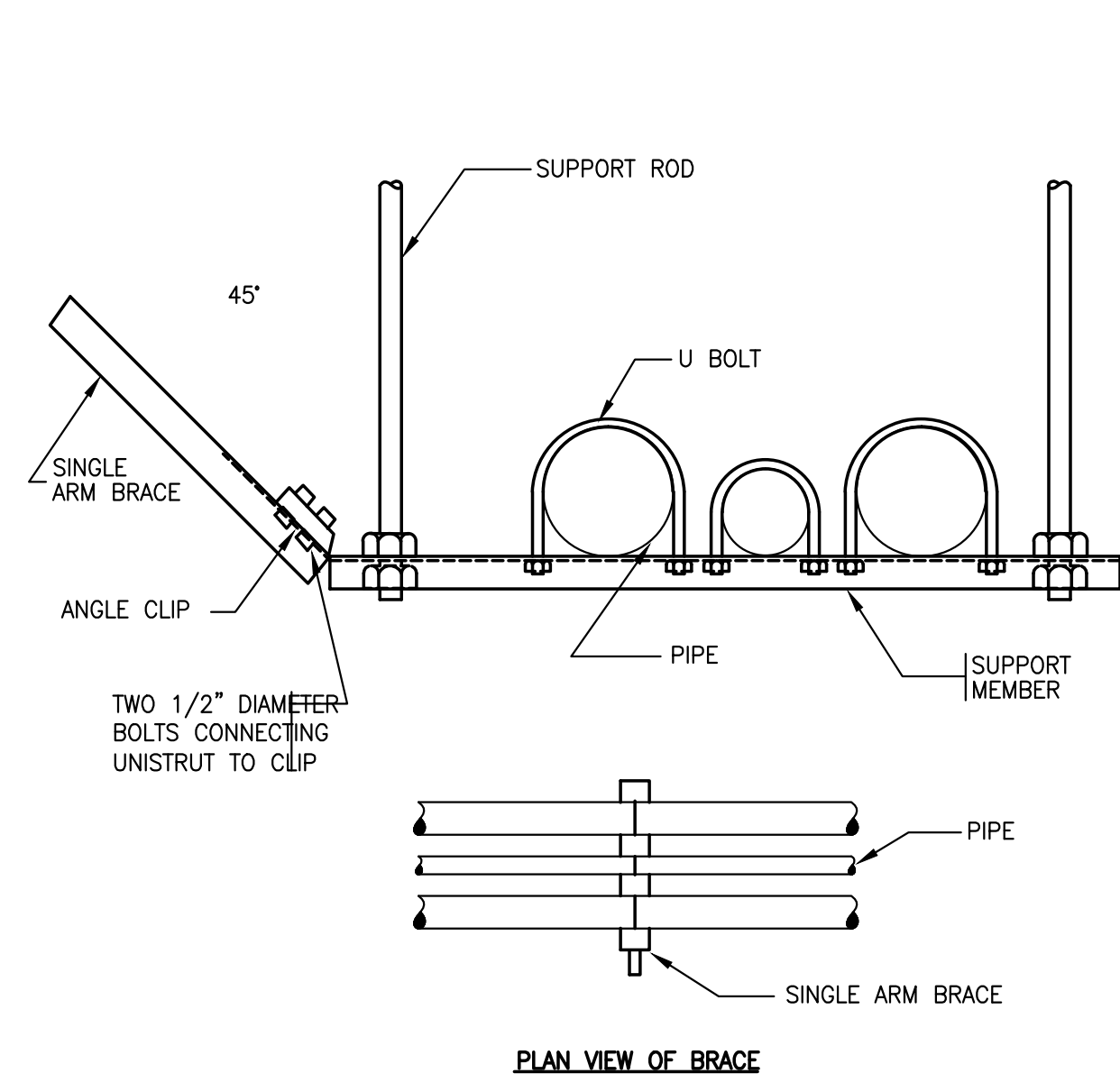
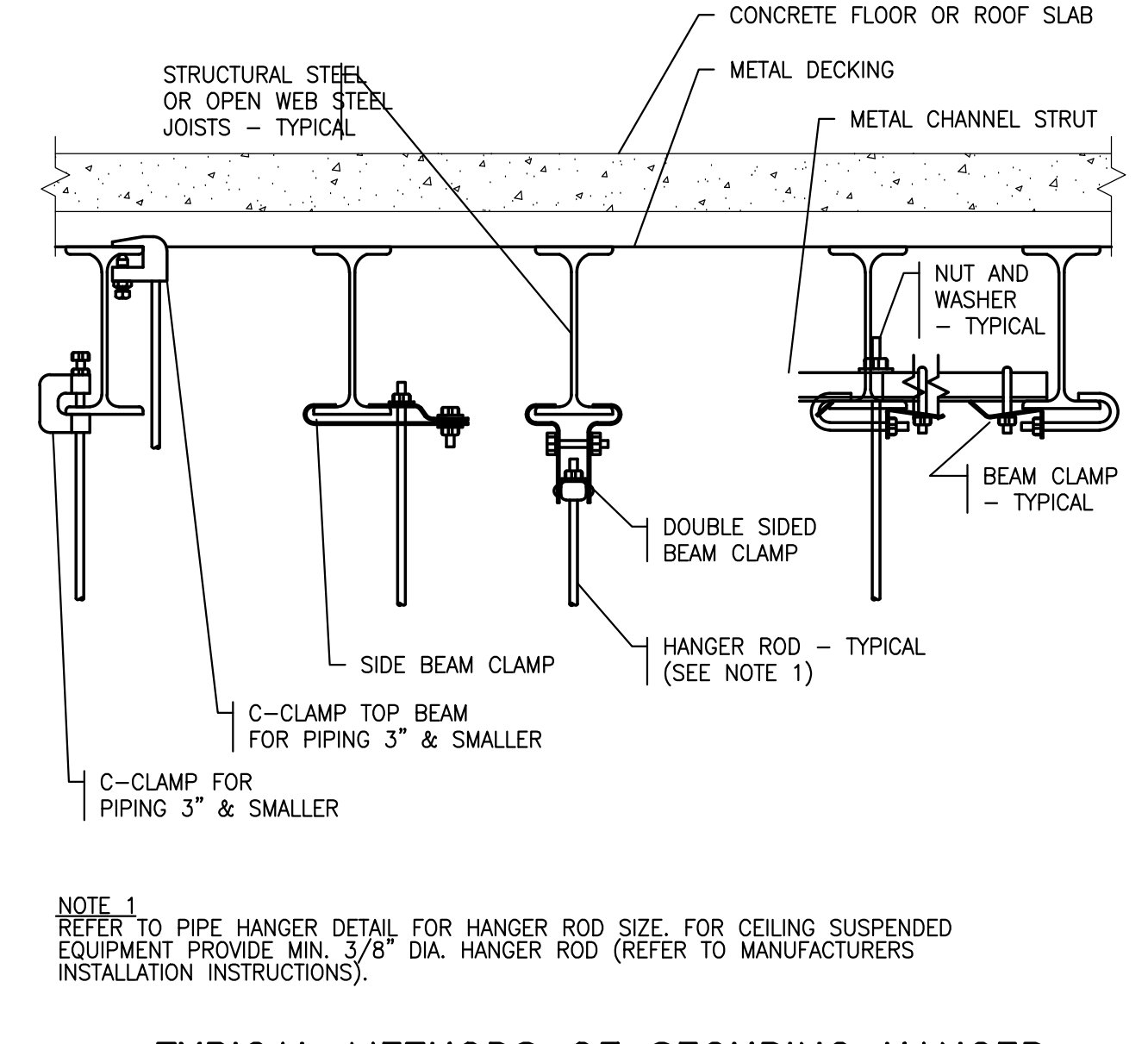


0 1 2 3 4 5

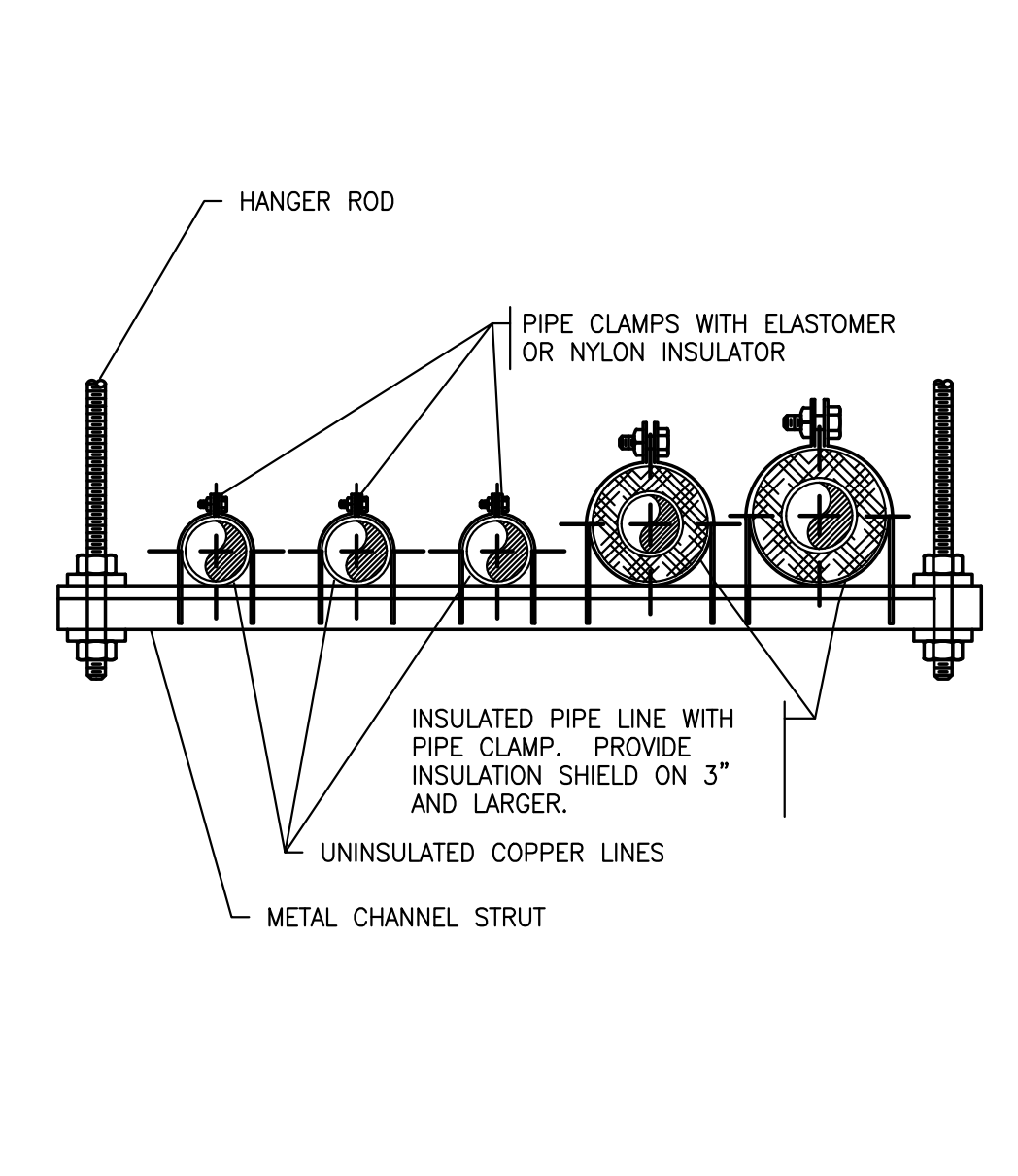
SAVE DATE: 06/24/2016 9:32 AM
 PLOT DATE: 06/24/2016 1:34 PM
 LOGIN: Champana, Deanna
 Project: B160089-000_P00-20.dwg
 7/9/16 Pg 18 of 20



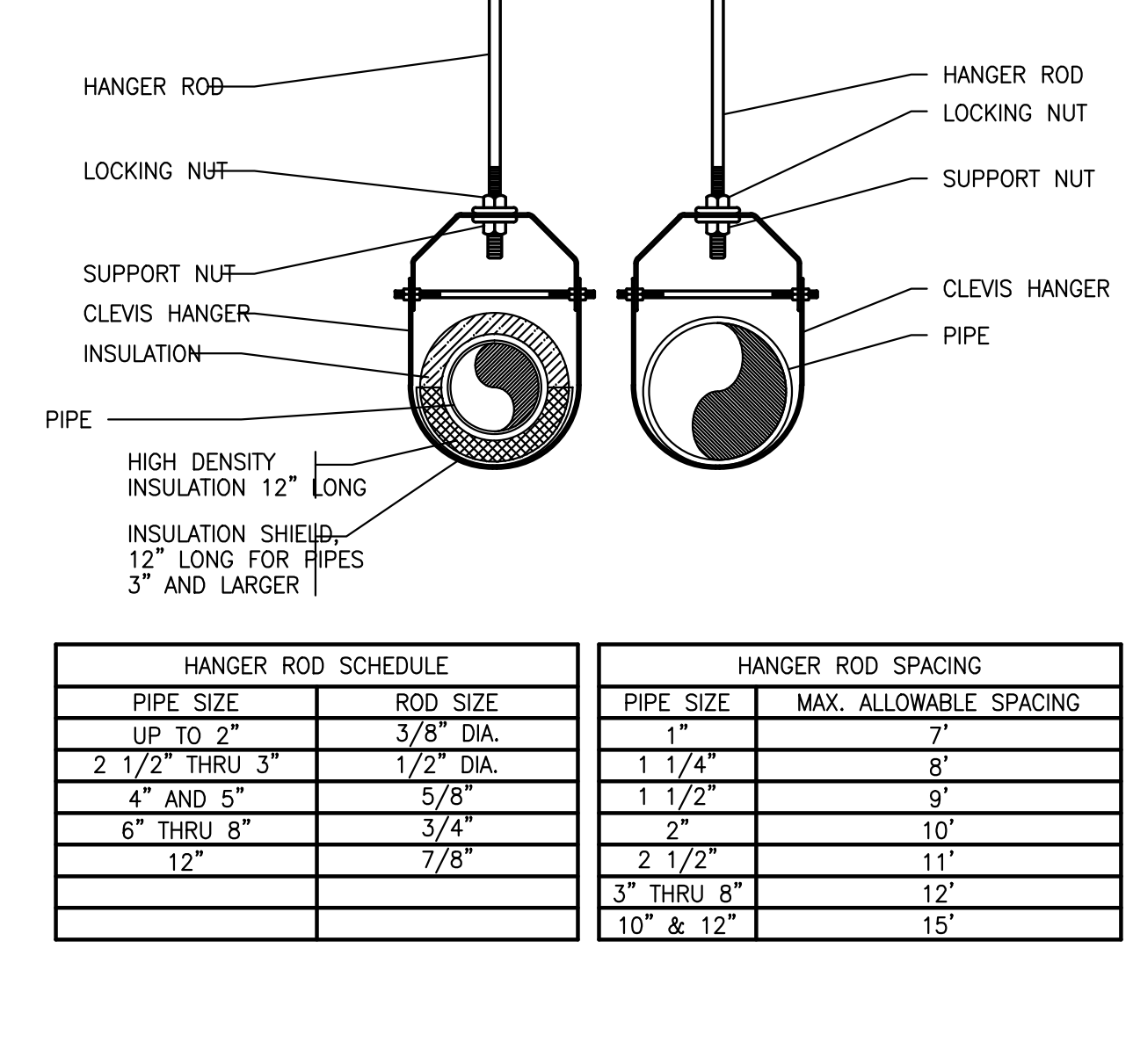
1 SINGLE ARM BRACE FOR TRAPEZE HUNG PIPE
 SCALE: N.T.S.



2 TYPICAL METHODS OF SECURING HANGER RODS TO STRUCTURAL STEEL DETAIL
 SCALE: N.T.S.

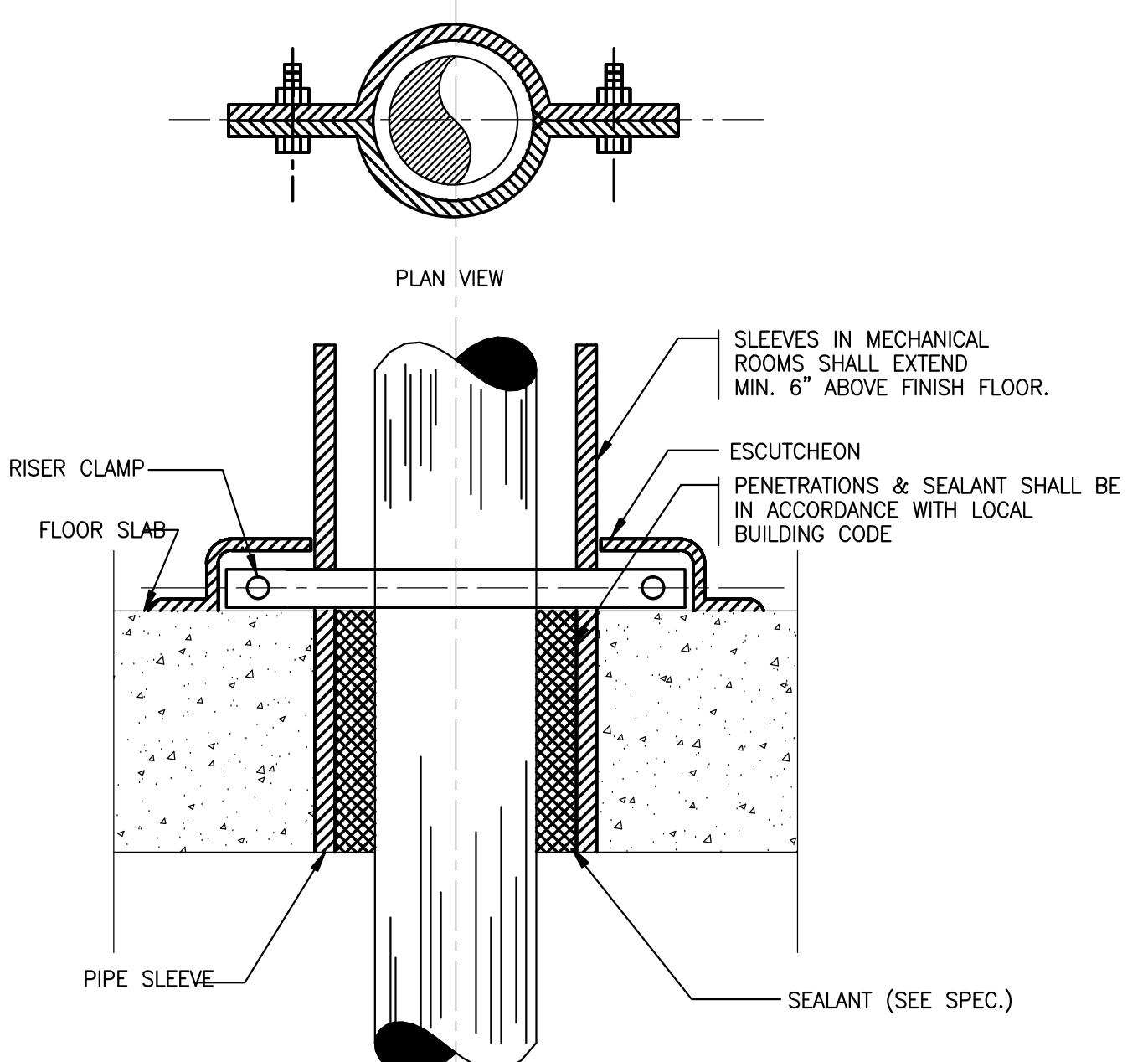


3 TRAPEZE PIPE HANGER
 SCALE: N.T.S.

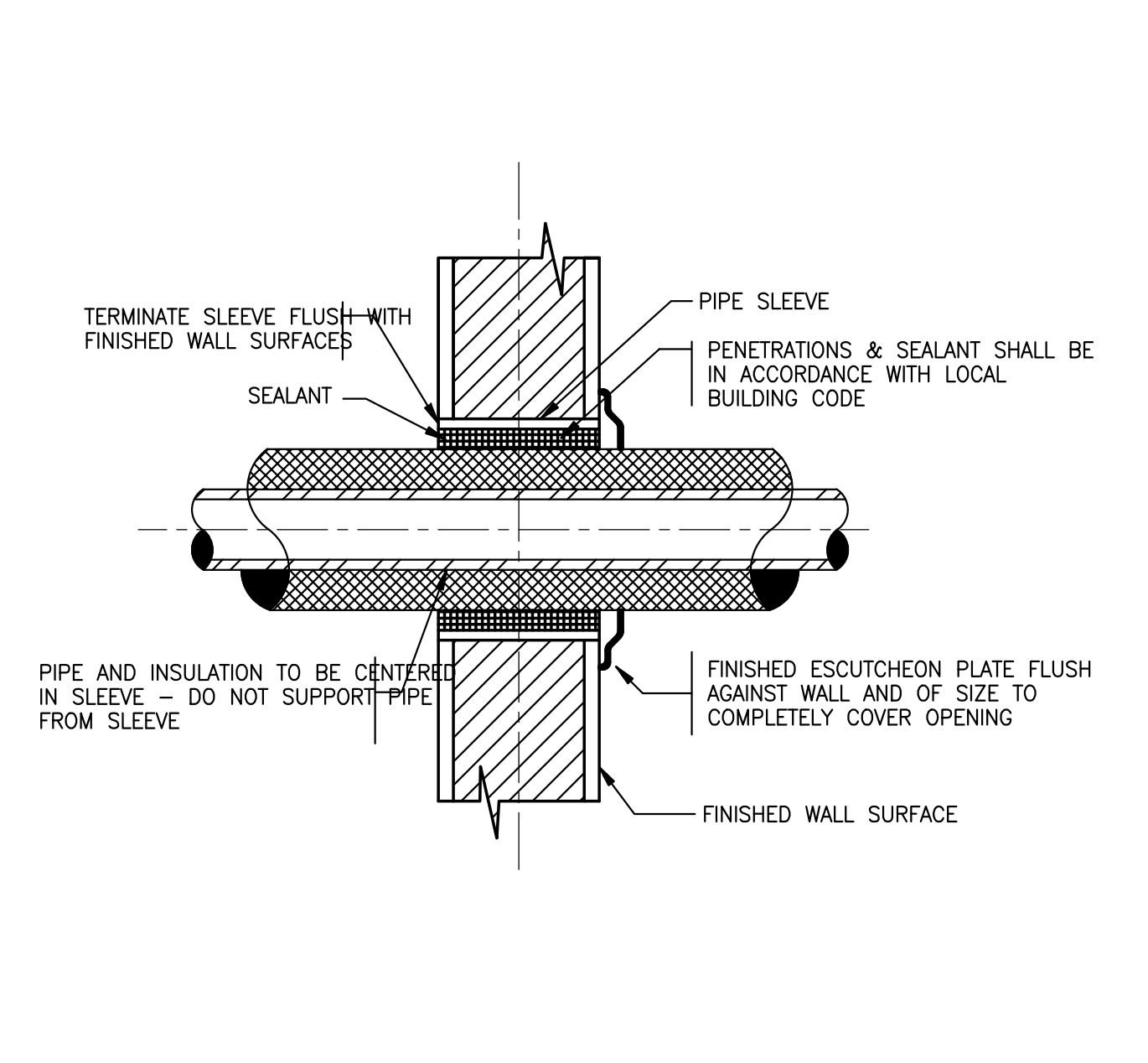


4 PLUMBING PIPE HANGER INSTALLATION DETAIL
 SCALE: N.T.S.

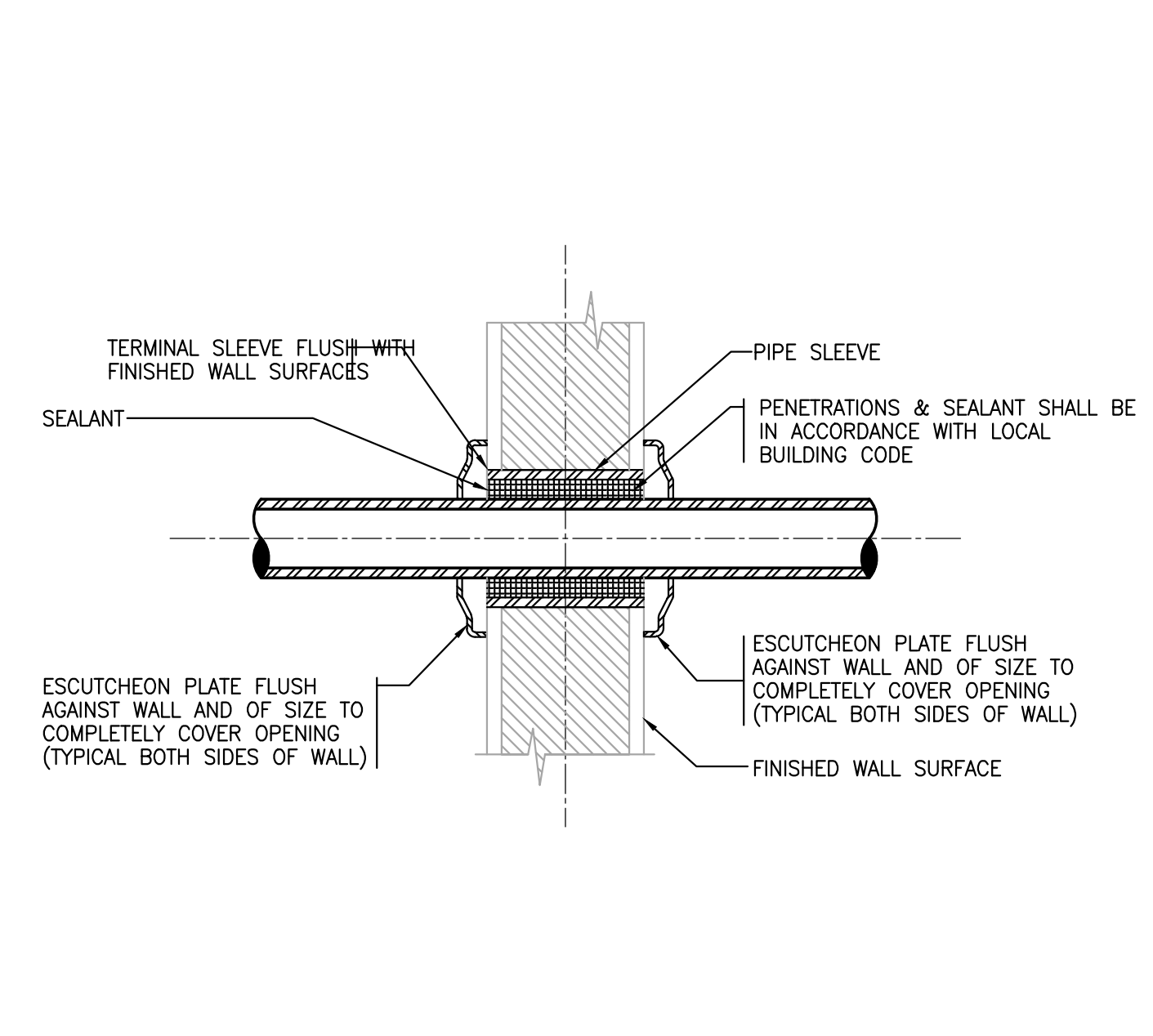
HANGER ROD SCHEDULE		HANGER ROD SPACING	
PIPE SIZE	ROD SIZE	PIPE SIZE	MAX. ALLOWABLE SPACING
UP TO 2"	3/8" DIA.	1"	7'
2 1/2" THRU 3"	1/2" DIA.	1 1/4"	8'
4" AND 5"	5/8"	1 1/2"	9'
6" THRU 8"	3/4"	2"	10'
12"	7/8"	2 1/2"	11'
		3" THRU 8"	12'
		10' & 12"	15'



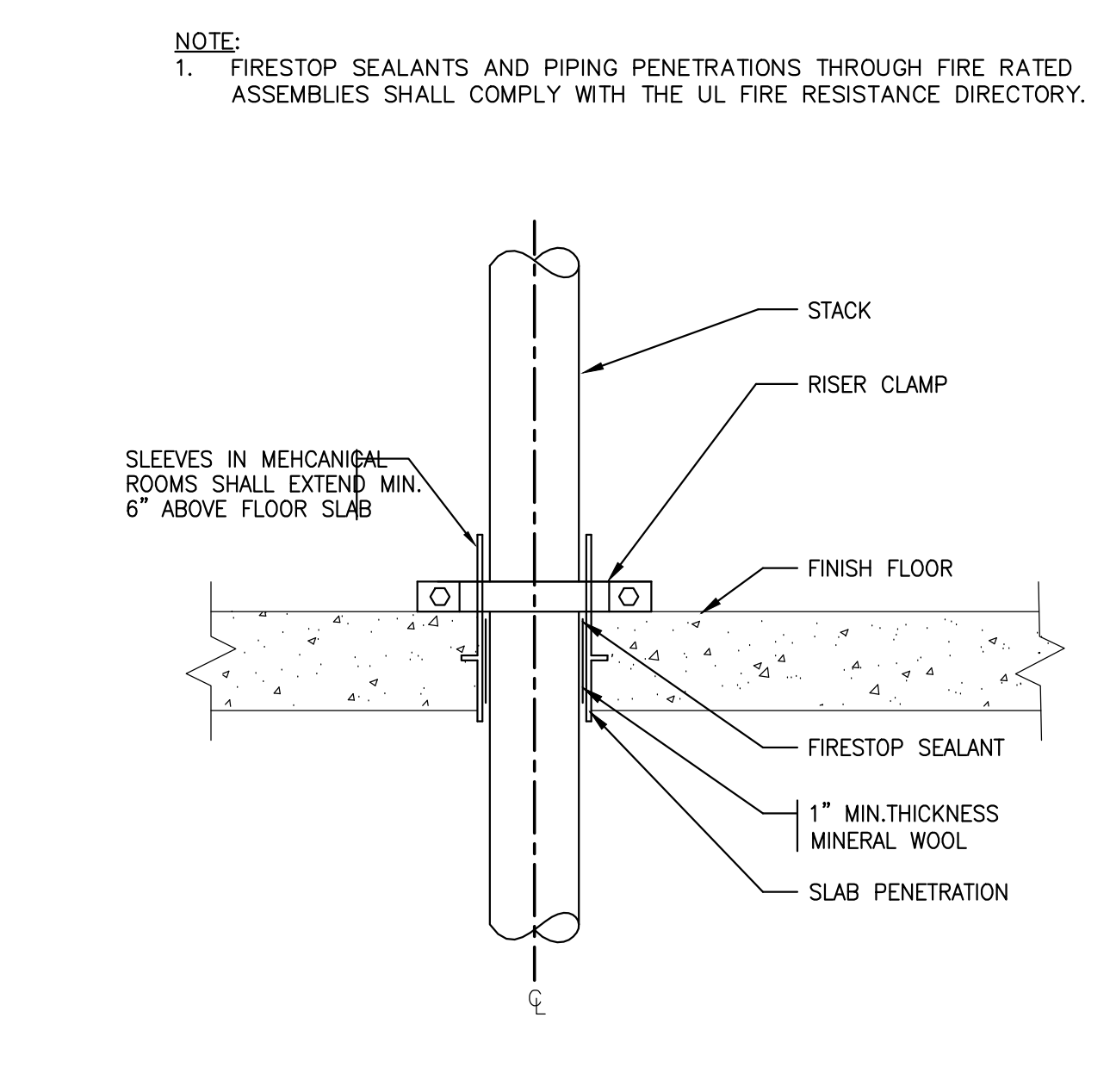
5 PIPE SLEEVE THRU EXPOSED FLOOR SLAB
 SCALE: N.T.S.



6 PIPE SLEEVE THRU INTERIOR WALL
 SCALE: N.T.S.

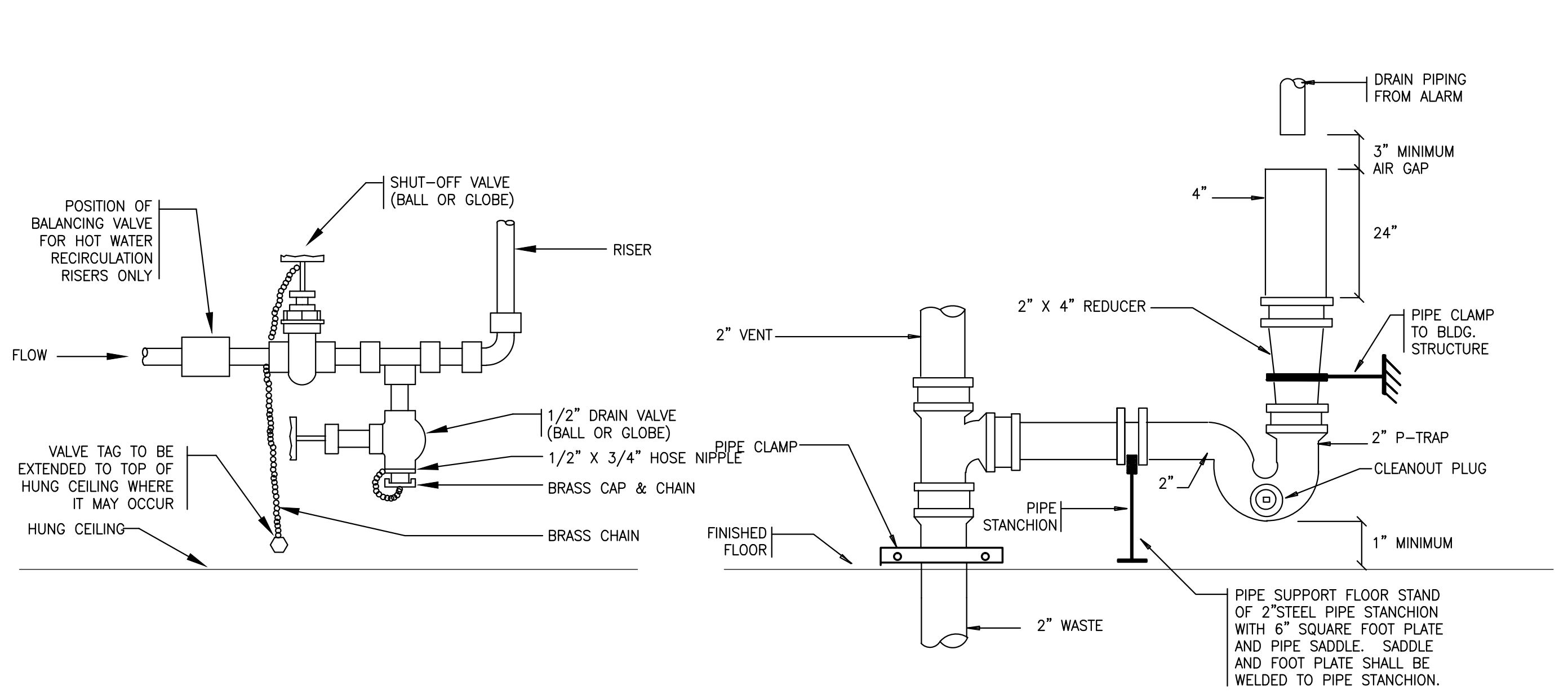


7 PIPE PENETRATION WITHOUT INSULATION
 SCALE: N.T.S.

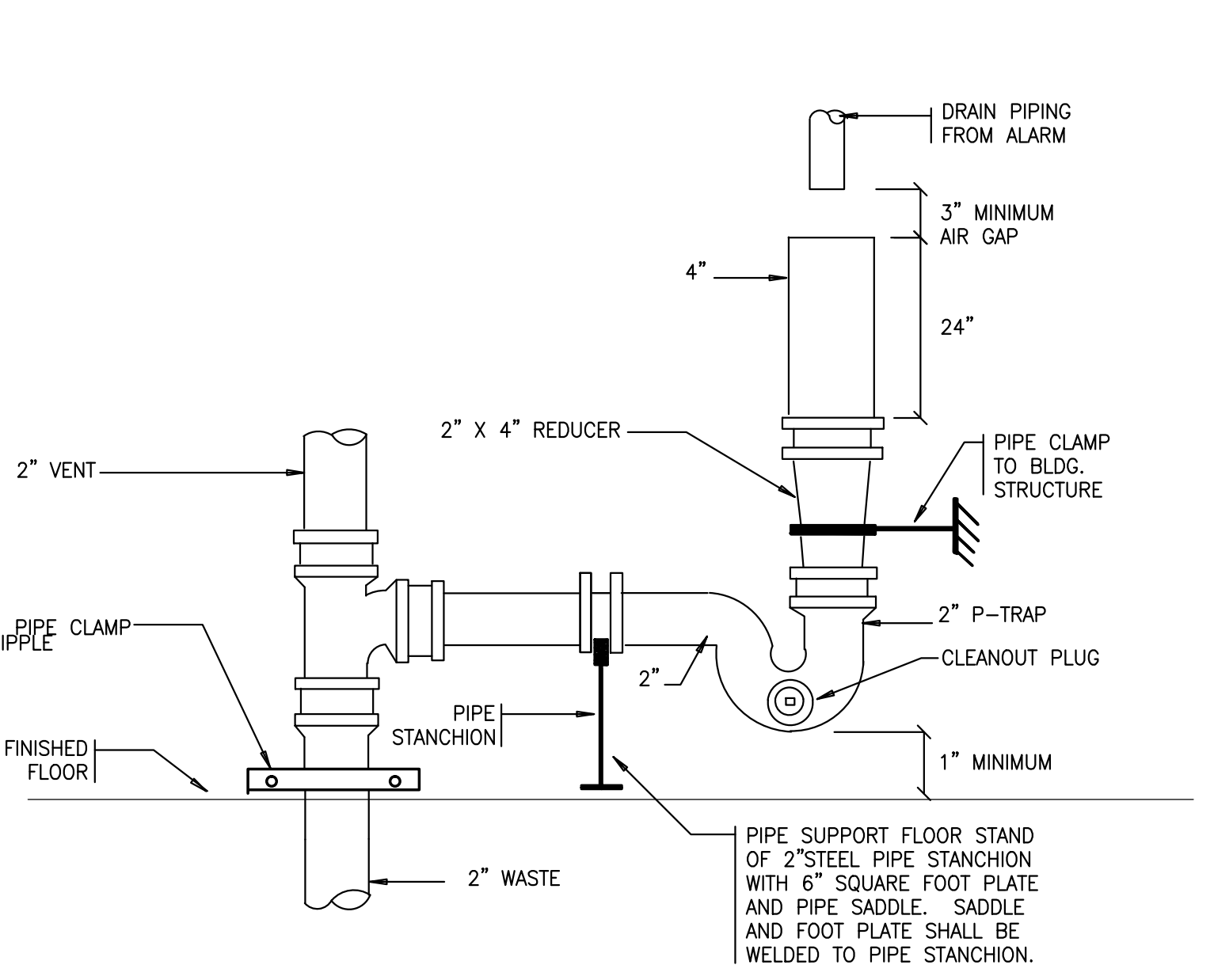


8 TYPICAL FIRE RATED PIPE SLAB PENETRATION

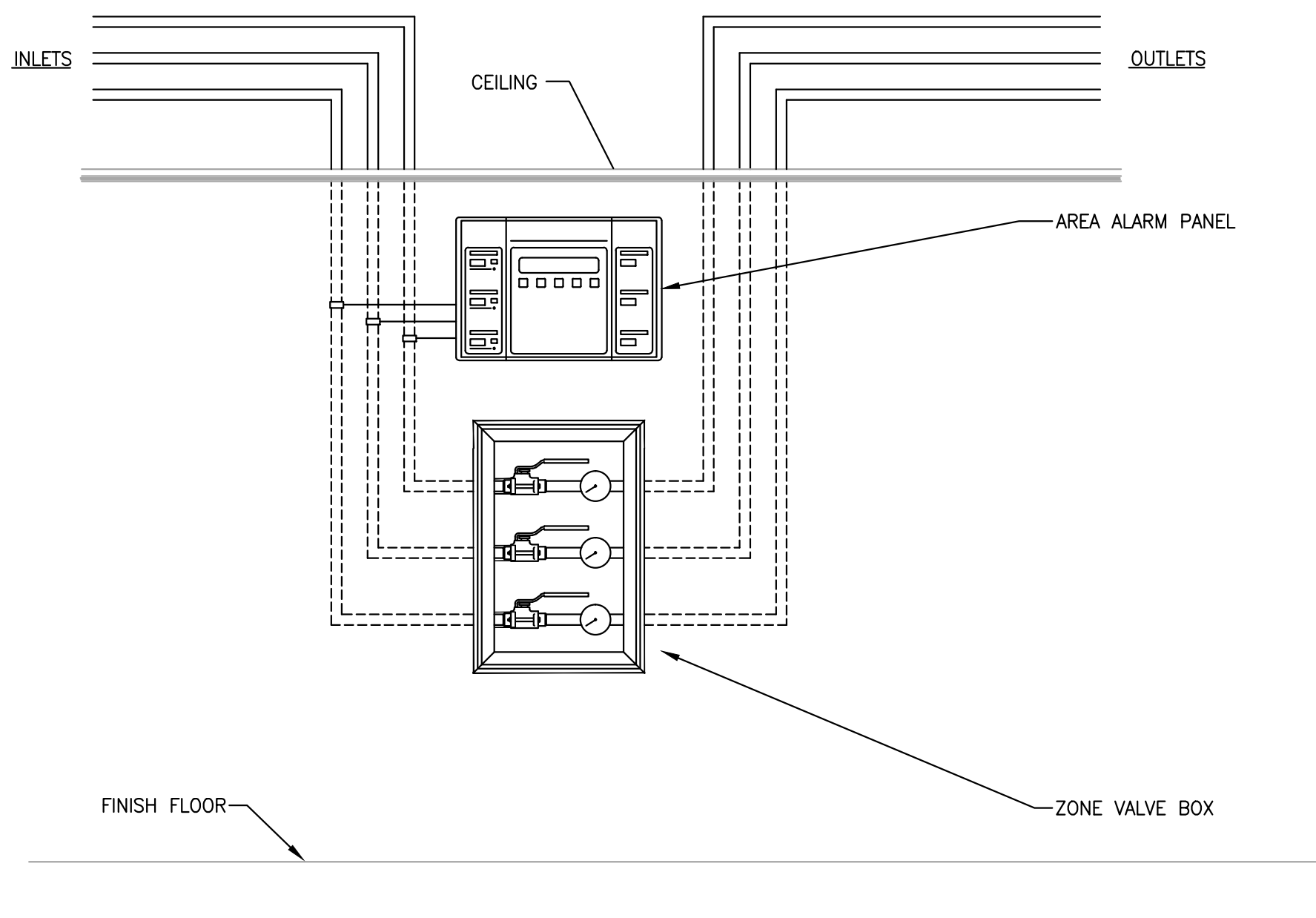
NOTE:
 1. FIRESTOP SEALANTS AND PIPING PENETRATIONS THROUGH FIRE RATED ASSEMBLIES SHALL COMPLY WITH THE UL FIRE RESISTANCE DIRECTORY.



9 RISER CONTROL AND DRAIN VALVE
 SCALE: N.T.S.



10 OPEN END DRAIN DETAIL
 SCALE: N.T.S.



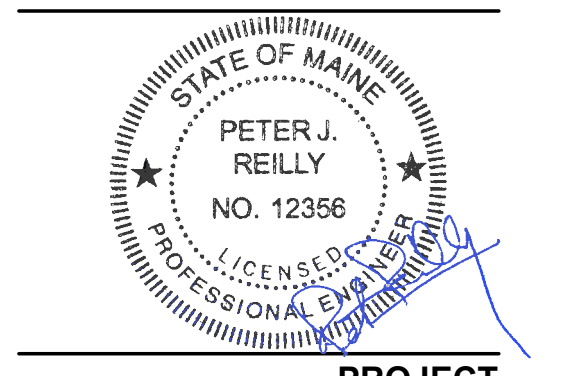
11 ELECTRIC MEDICAL GAS CONTROL VALVES & ALARM PANEL
 SCALE: N.T.S.

- GENERAL NOTES:**
- FOR EXACT SPACIAL REQUIREMENTS OBTAIN PRODUCT CUTS OF COMPONENTS TO BE SPECIFIED.
 - EXACT MOUNTING HEIGHT TO BE DETERMINED BY THE VARIOUS USER GROUPS AND NOTED ON THE ARCHITECTURAL ELEVATIONS.
 - MEDICAL GAS ALARM PANEL CONNECTIONS POINTS ARE FOR EXAMPLE ONLY. ACTUAL ALARM PANEL CONNECTIONS POINTS ARE DEPENDENT UPON CLASSIFICATION OF LOCATION OR AREA.
 - MEDICAL GAS APPURTENANCES AND ASSOCIATED PIPING REQUIRE THE ENTIRE DEPTH OF A STANDARD 3 5/8" STUD. THE LOCATION OF THE MEDICAL GAS APPURTENANCES AND ELECTRICAL APPURTENANCES MUST BE COORDINATED.

PERKINS
 225 Franklin Street, Suite 1100
 Boston, MA 02110
 1617.478.0300
 1617.478.0321
 www.perkinswill.com

CONSULTANTS
 MEPPP
AKF GROUP LLC
 99 Bedford St., 2nd Floor
 Boston, MA 02111
 1617.737.1111
 1617.737.4311

STRUCTURAL
SGH INC.
 41 Seyon St.
 Waltham, MA 02453
 1781.907.8000
 1781.907.9009



PROJECT
ACCU RELOCATION
 22 Bramhall Street
 Portland, Maine 04102

Maine Medical Center
 MaineHealth

MAINE MEDICAL CENTER
 22 Bramhall Street
 Portland, Maine 04102

06.24.2016
ISSUE CHART

ISSUED FOR PERMIT	06.24.2016
NO.	DATE
Job Number	B160089-000
Checked	DGC
Approved	PJR

TITLE
PLUMBING DETAILS

SHEET NUMBER
P00-20

Copyright © 2016 Perkins+Will