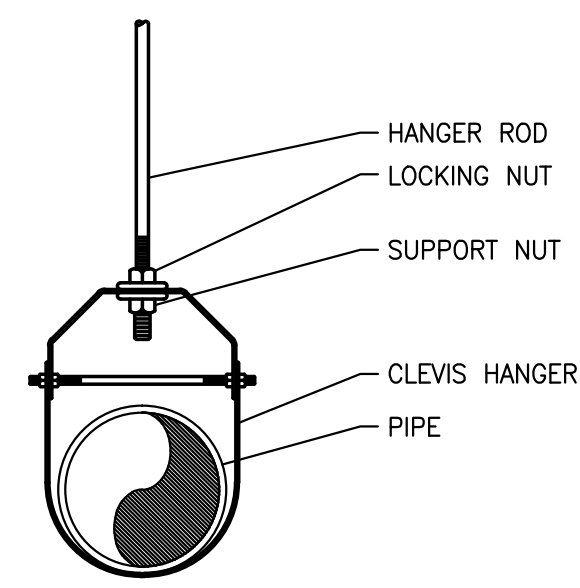
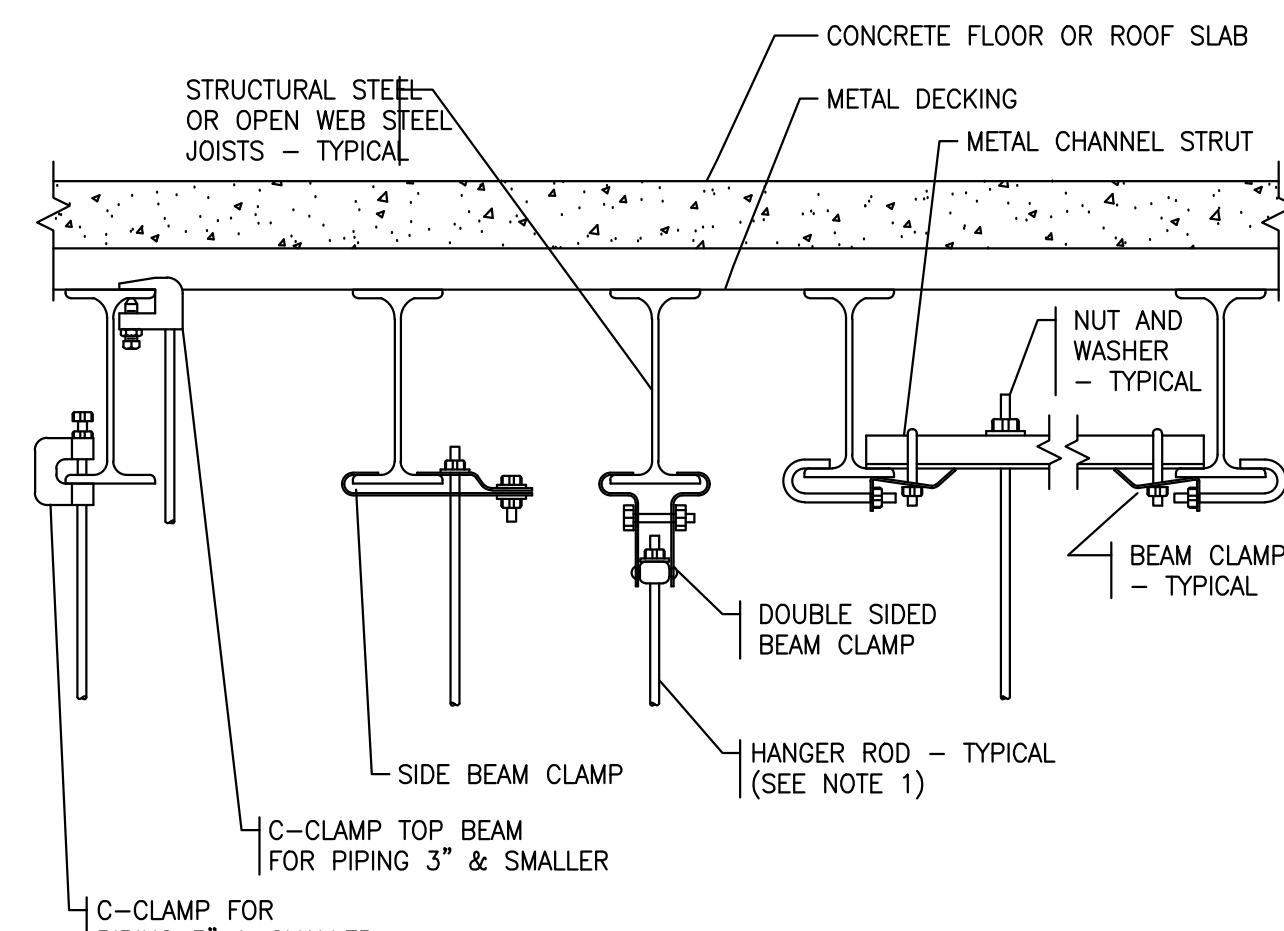


1  
2  
3  
4  
5



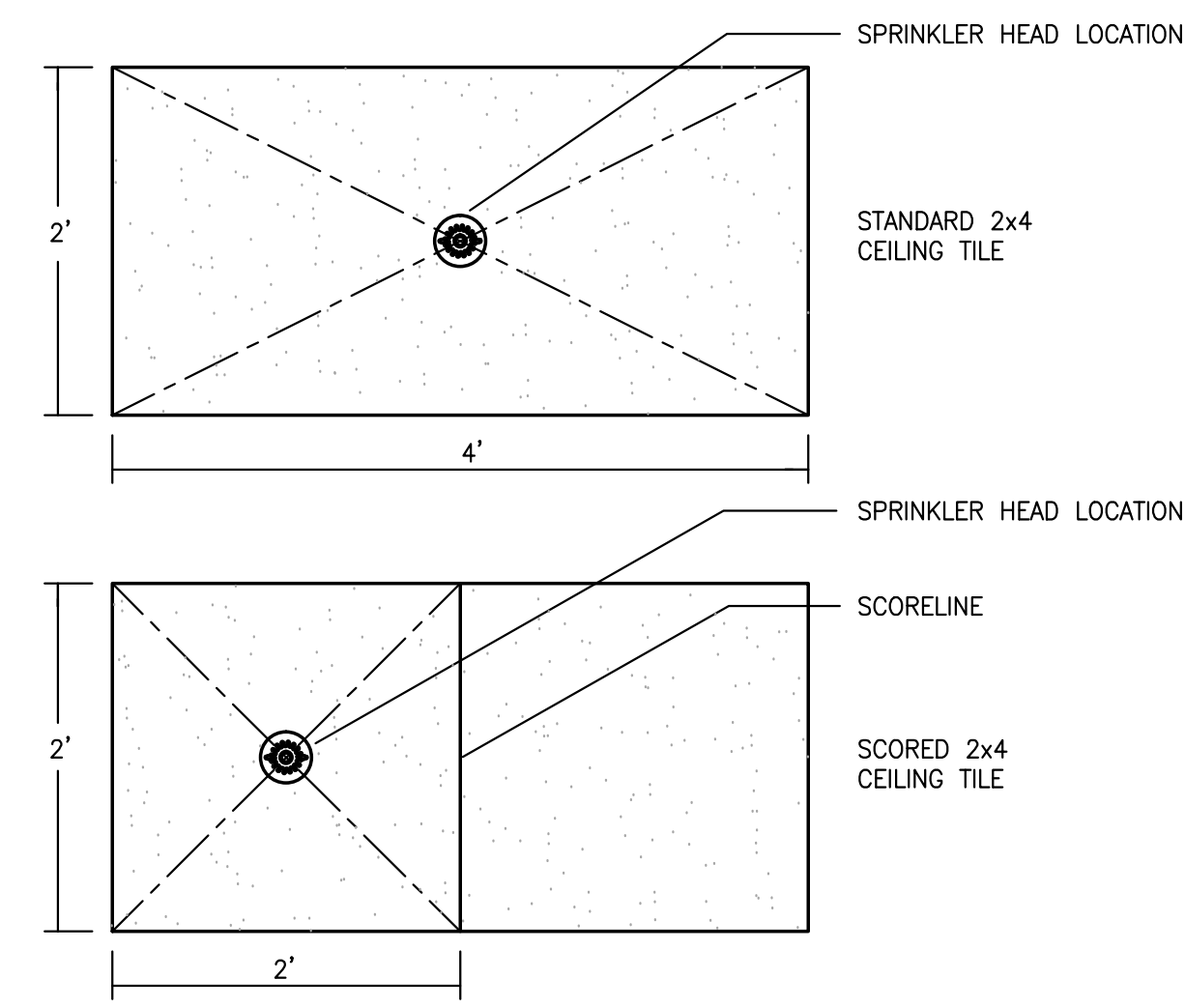
HANGER ROD SCHEDULE		HANGER ROD SPACING	
PIPE SIZE	ROD SIZE	PIPE SIZE	MAX. ALLOWABLE SPACING
UP TO 2"	3/8" DIA.	1"	7'
2 1/2" THRU 3"	1/2" DIA.	1 1/4"	8'
4" AND 5"	5/8"	1 1/2"	9'
6" THRU 8"	3/4"	2"	10'
12"	7/8"	2 1/2"	11'
		3" THRU 8"	12'
		10" & 12"	15'

**1 PIPE HANGER INSTALLATION DETAIL**  
SCALE: N.T.S.

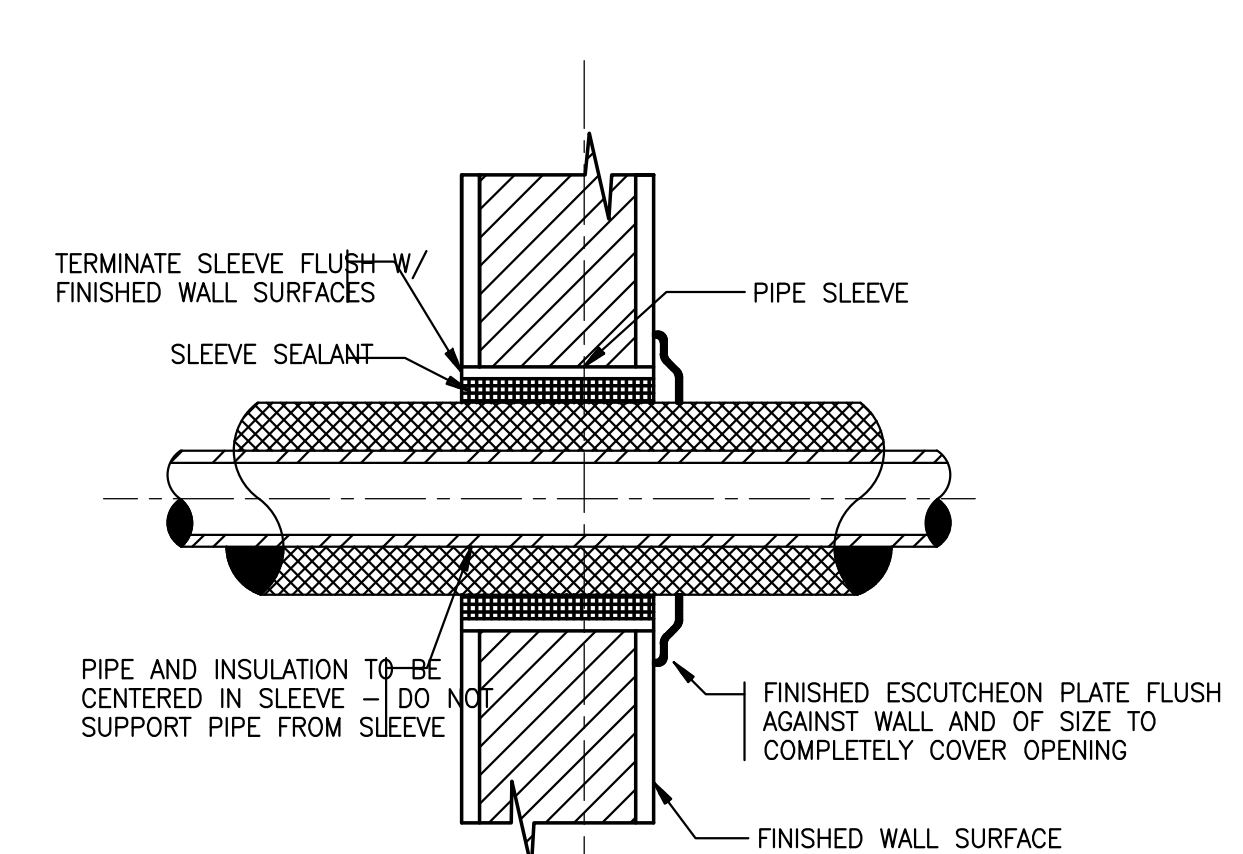


NOTE 1  
REFER TO PIPE HANGER DETAIL FOR HANGER ROD SIZE. FOR CEILING SUSPENDED EQUIPMENT PROVIDE MIN. 3/8" DIA. HANGER ROD (REFER TO MANUFACTURERS INSTALLATION INSTRUCTIONS).

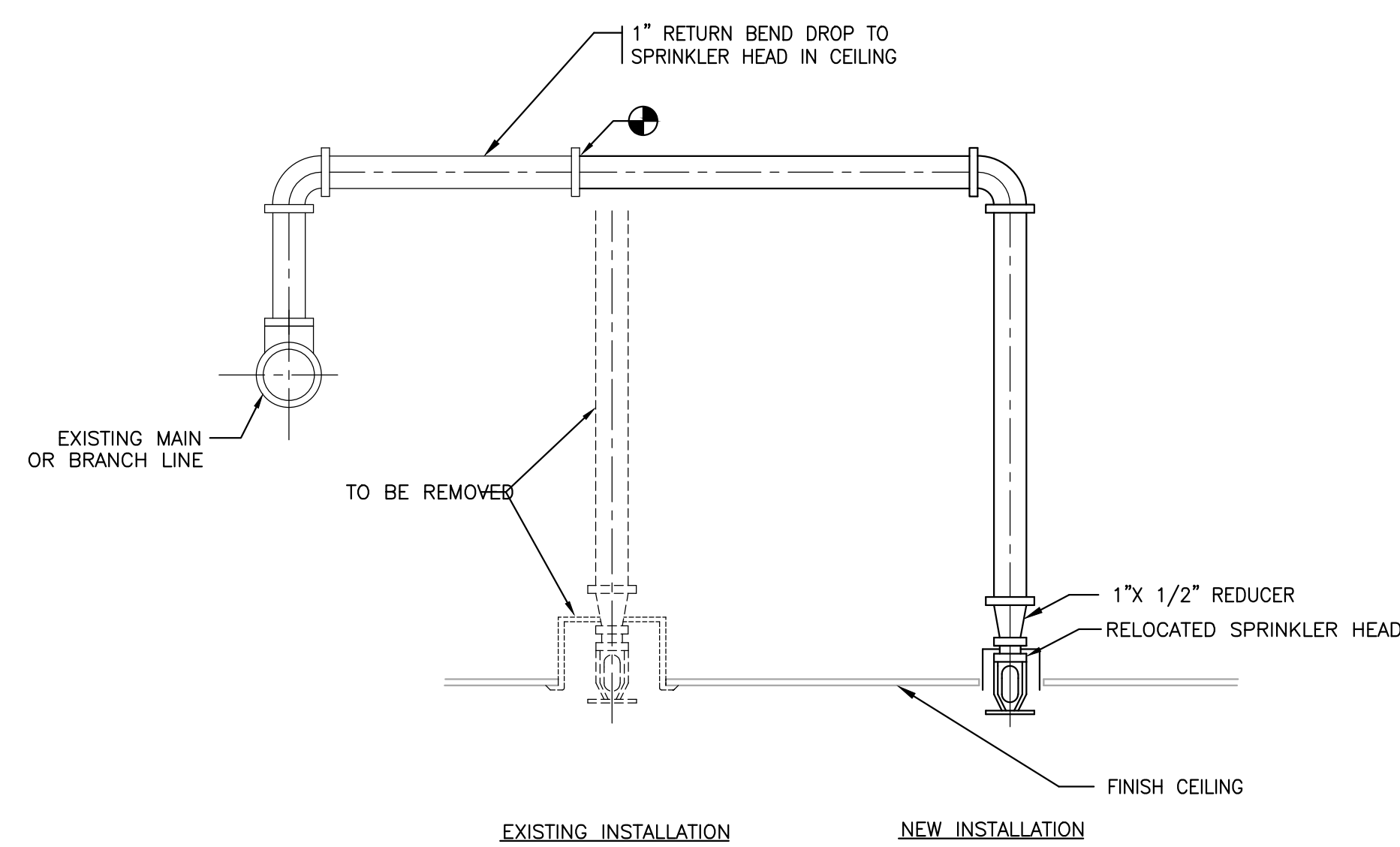
**2 TYPICAL METHODS OF SECURING HANGER RODS TO STRUCTURAL STEEL DETAIL**



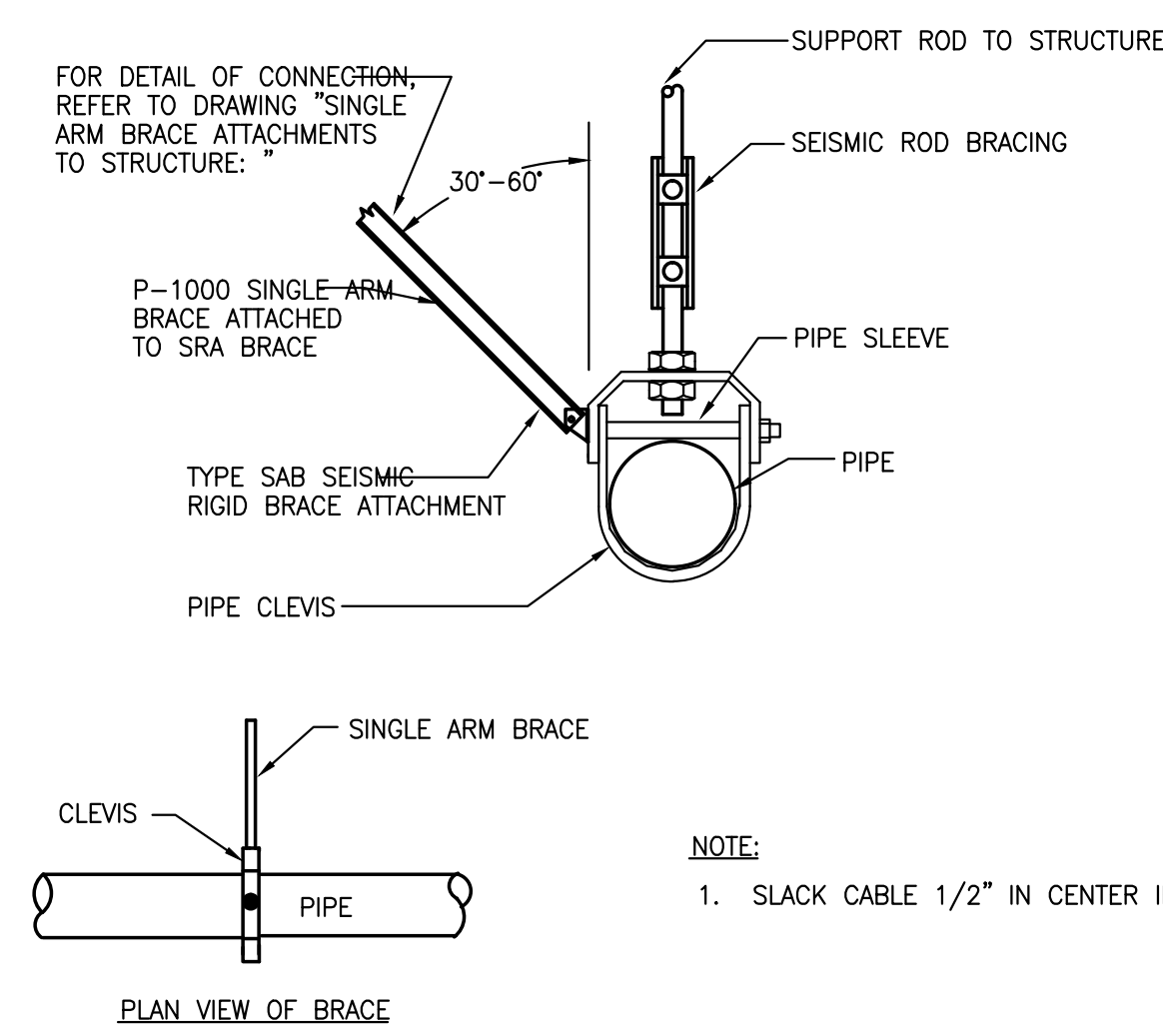
**3 LOCATION OF SPRINKLER HEADS IN CEILING PANELS**  
SCALE: N.T.S.



**4 PIPE SLEEVE THRU INTERIOR WALL**  
SCALE: N.T.S.

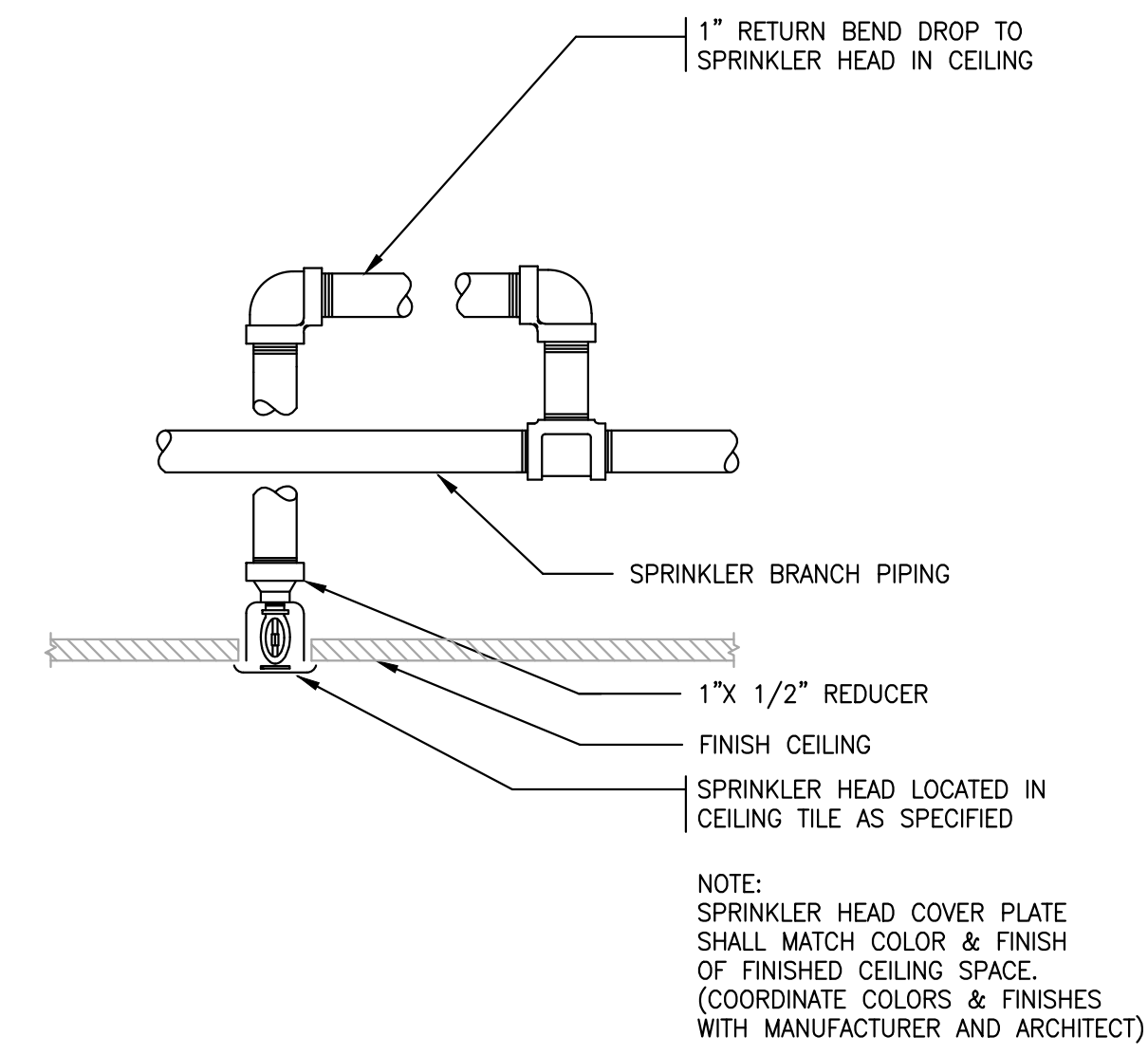


**5 TYPICAL SPRINKLER HEAD RELOCATION**  
SCALE: N.T.S.



NOTE:  
1. SLACK CABLE 1/2" IN CENTER IF ISOLATED.

**6 TRANSVERSE ARM BRACE FOR CLEVIS HUNG PIPING**



NOTE:  
SPRINKLER HEAD COVER PLATE SHALL MATCH COLOR & FINISH OF FINISHED CEILING SPACE. (COORDINATE COLORS & FINISHES WITH MANUFACTURER AND ARCHITECT)

**7 TYPICAL CONCEALED SPRINKLER HEAD RETURN BEND DROP**



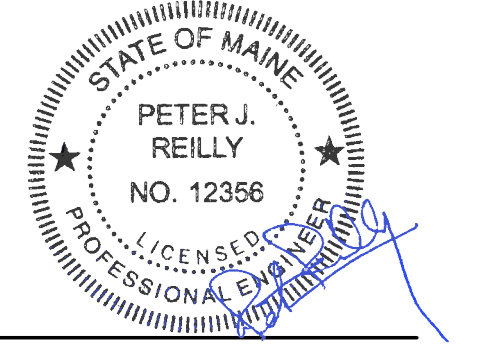
225 Franklin Street, Suite 1100  
Boston, MA 02110  
1 617 478 0300  
1 617 478 0321  
www.perkinswill.com

**CONSULTANTS**

**AKF GROUP LLC**  
99 Bedford St., 2nd Floor  
Boston, MA 02111  
1 617 737 1111  
1 617 737 4311

**STRUCTURAL**

**SGH INC.**  
41 Seyon St.  
Waltham, MA 02453  
1 781 907 8000  
1 781 907 9009



**PROJECT**

**ACCU RELOCATION**  
22 Bramhall Street  
Portland, Maine 04102



**MAINE MEDICAL CENTER**  
22 Bramhall Street  
Portland, Maine 04102

06.24.2016  
**ISSUE CHART**

NO.	ISSUE	DATE
	ISSUED FOR PERMIT	06.24.2016
	Job Number	B160089-000
	Checked	DGC
	Approved	PJR

**TITLE**  
**FIRE PROTECTION DETAILS**

**SHEET NUMBER**  
**F00-10**

SAVE DATE: 06/24/2016 9:25 AM  
PLOT DATE: 06/24/2016 1:33 PM  
LOGIN: Champagna, Deanna  
\\maine\hwy\Projects\B160089\B160089-000-Design\Maine\CAD\Richards\_7\_9\FPE\B160089-000\_F00-10.dwg