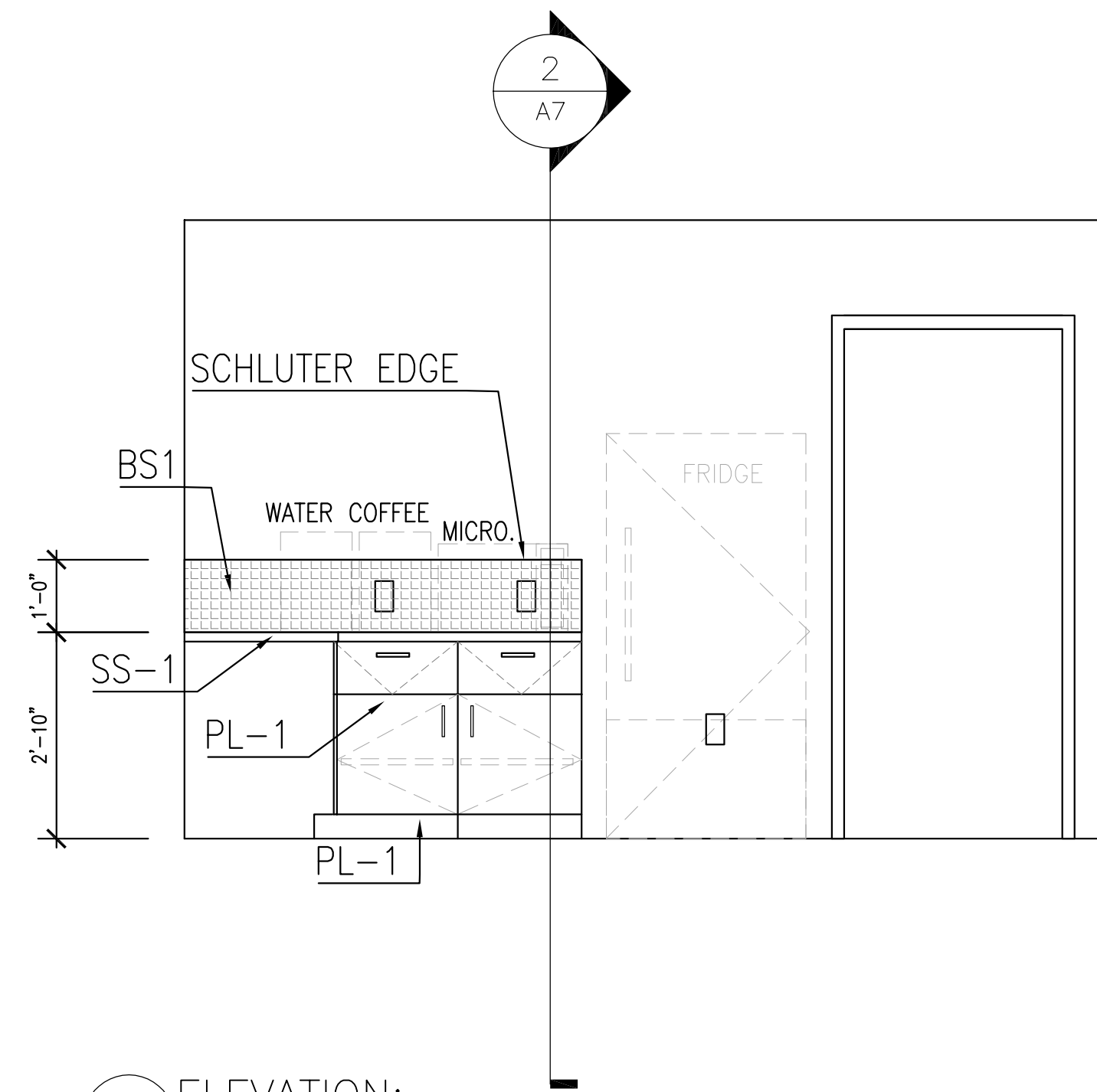
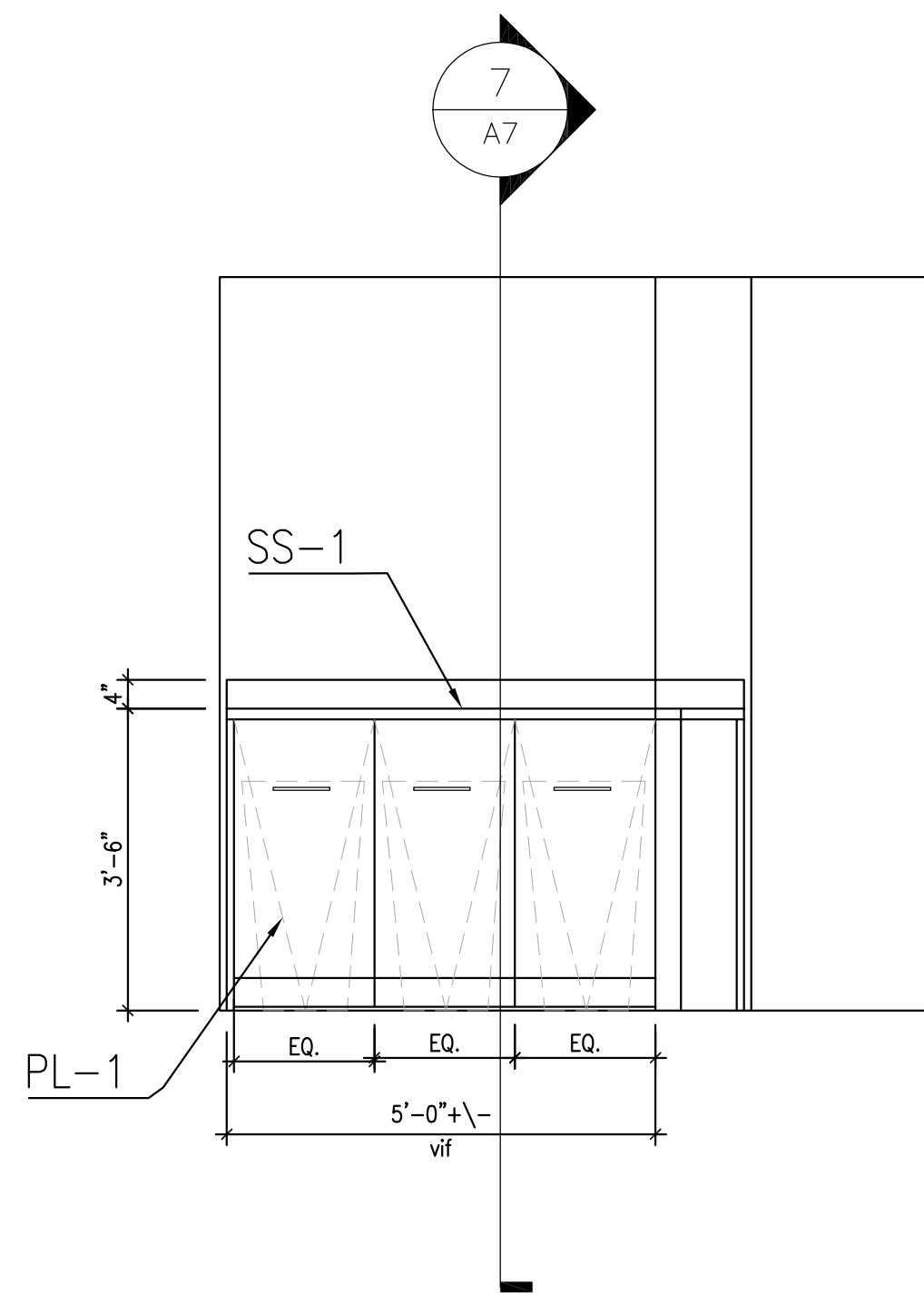


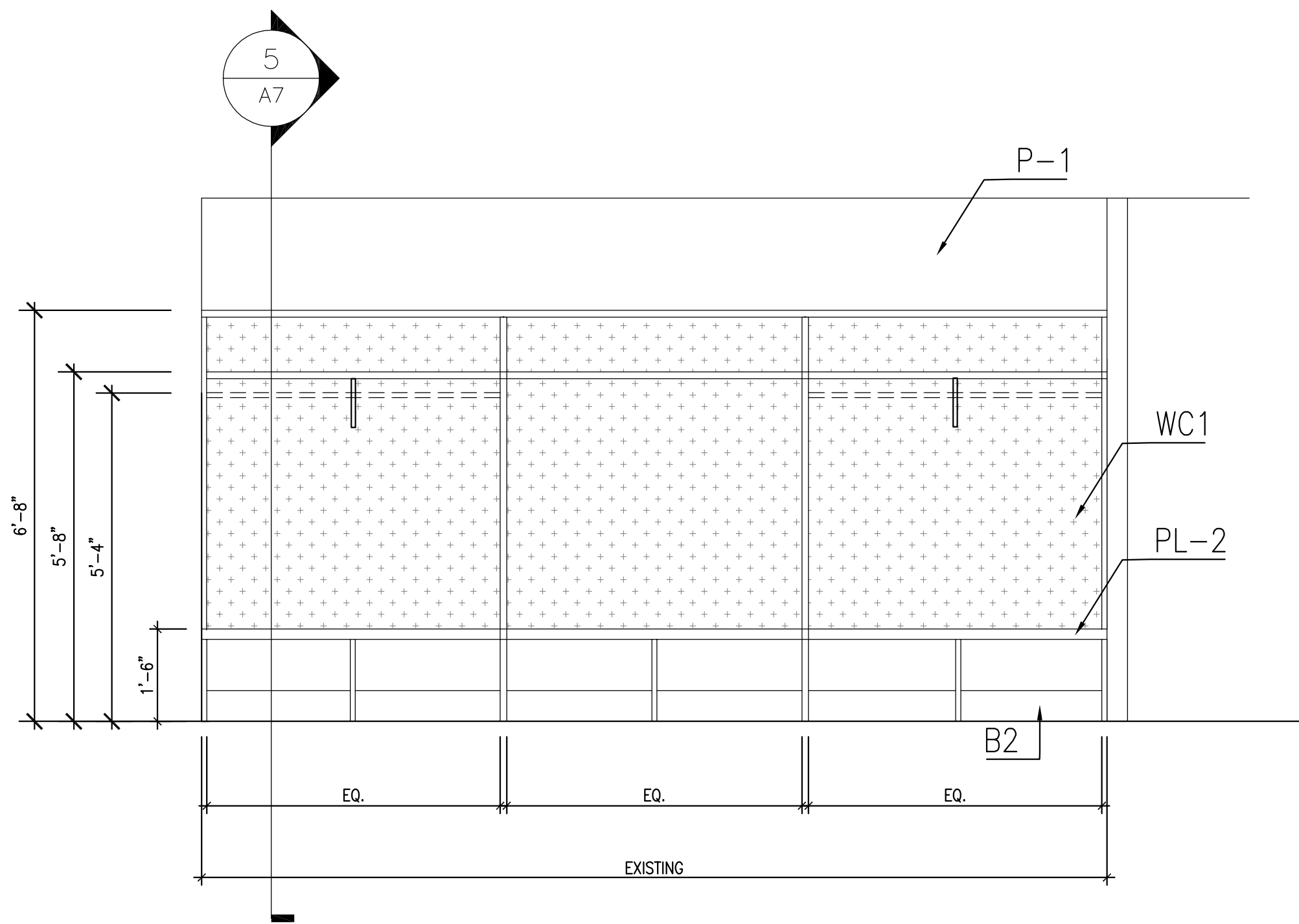
A ELEVATION:
1/2"=1'-0"



B ELEVATION:
1/2"=1'-0"



C ELEVATION:
1/2"=1'-0"



D ELEVATION:
1/2"=1'-0"

DESIGNER:
**BOULOS
COMMERCIAL
DESIGN, PLLC**
1 CANAL PLAZA SUITE 500
PORTLAND ME 04101
www.bouloscommercialdesign.com
207-749-1795

SEAL:

OWNER:

**MAINE MEDICAL
CENTER**
22 BRAMHALL ST
PORTLAND, ME 04102

ENGINEER:

GENERAL CONTRACTOR

REVISIONS:
DELTA: DATE:

TITLE:
ELEVATIONS

SCALE: AS NOTED

DATE: