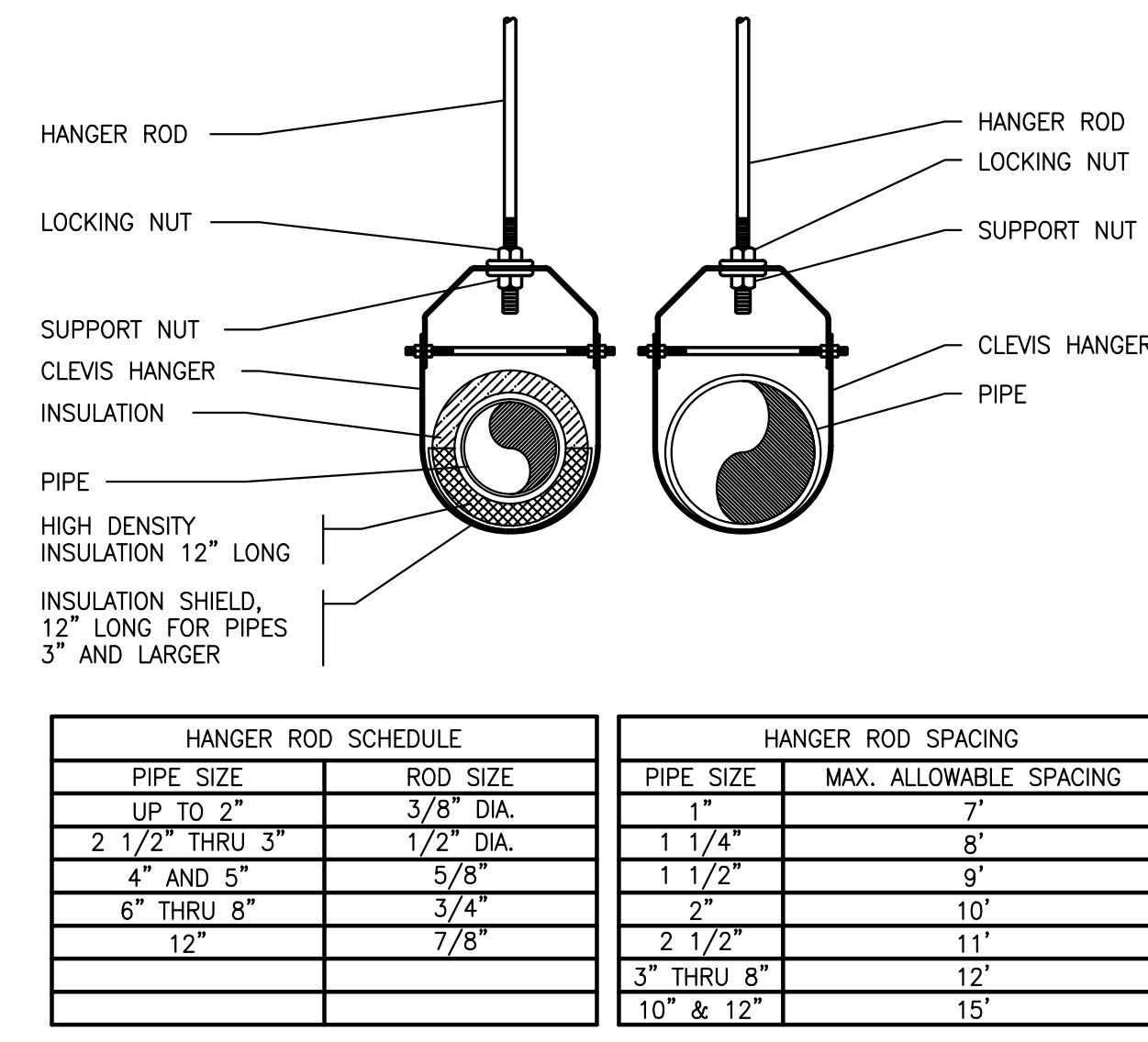


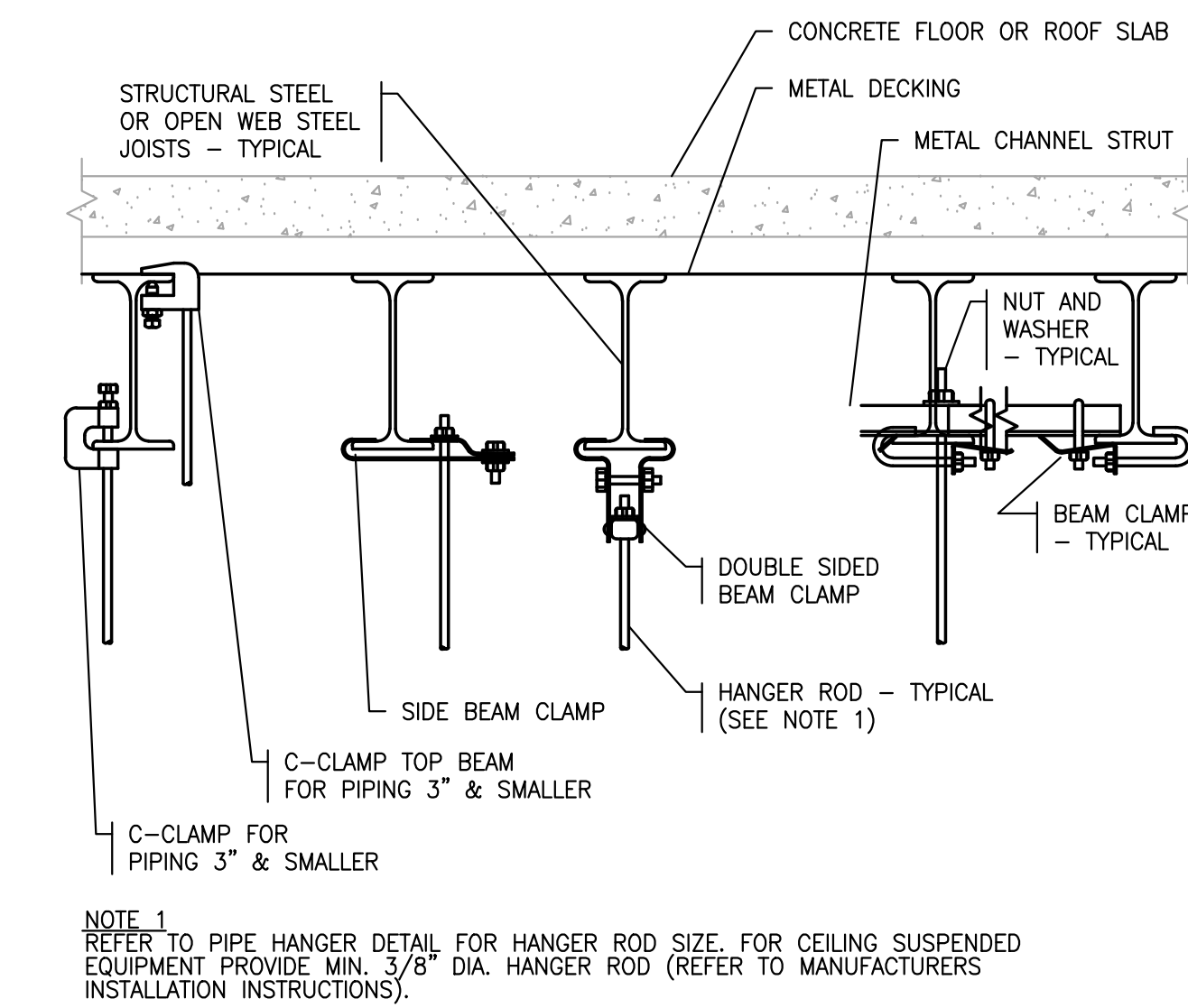
**1 SINGLE ARM BRACE FOR TRAPEZE HUNG PIPE**  
SCALE: N.T.S.



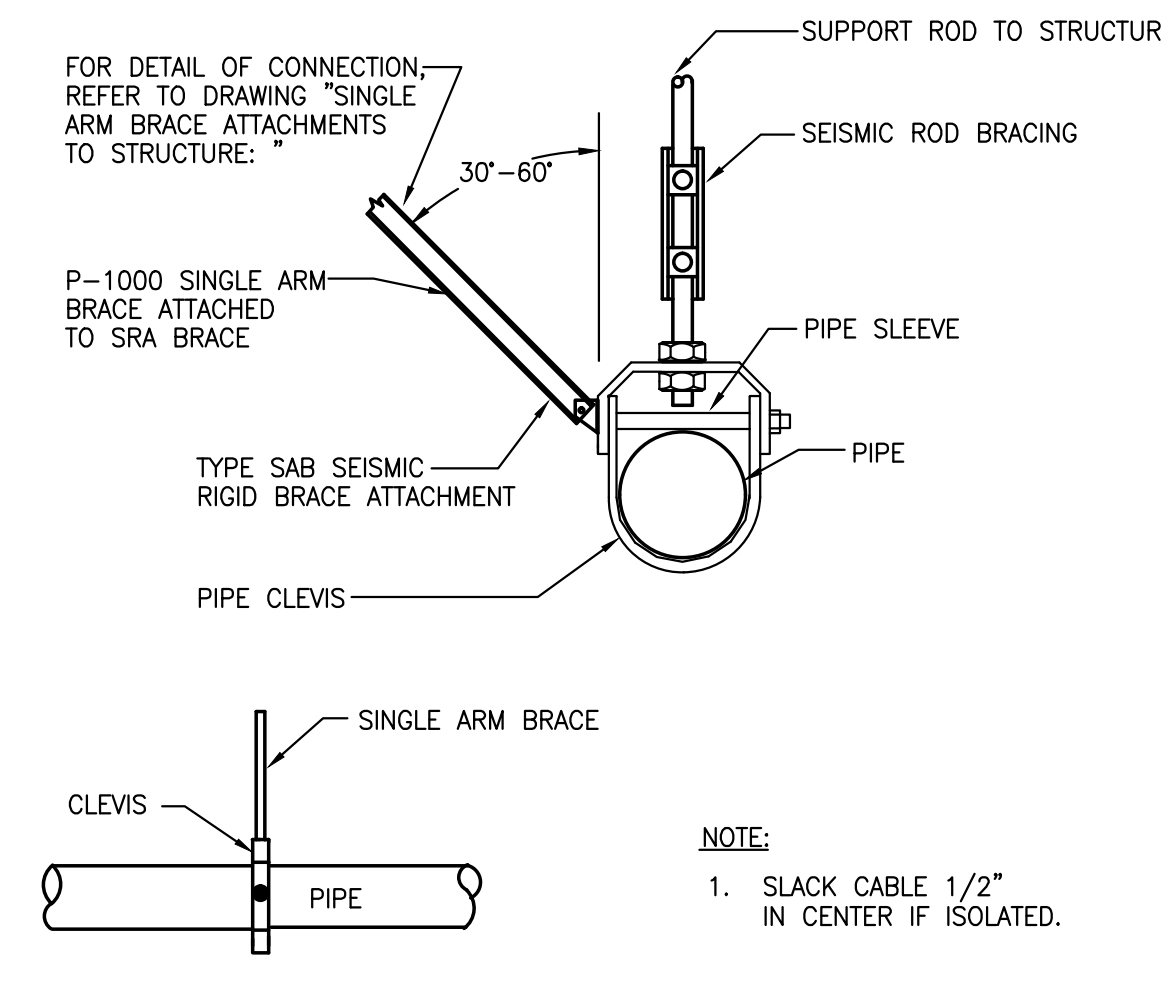
**2 PLUMBING PIPE HANGER INSTALLATION DETAIL**  
SCALE: N.T.S.

MEDICAL GAS ZONE VALVE BOX SCHEDULE											
TAG	MANUFACTURER	LOCATION	O2	MA	MV	N	N2O	WAGD	CO2	A	REMARKS
ZVB #3	-	CORRIDOR (CATH LAB #3)	3/4"	1/2"	3/4"	-	-	-	-	-	

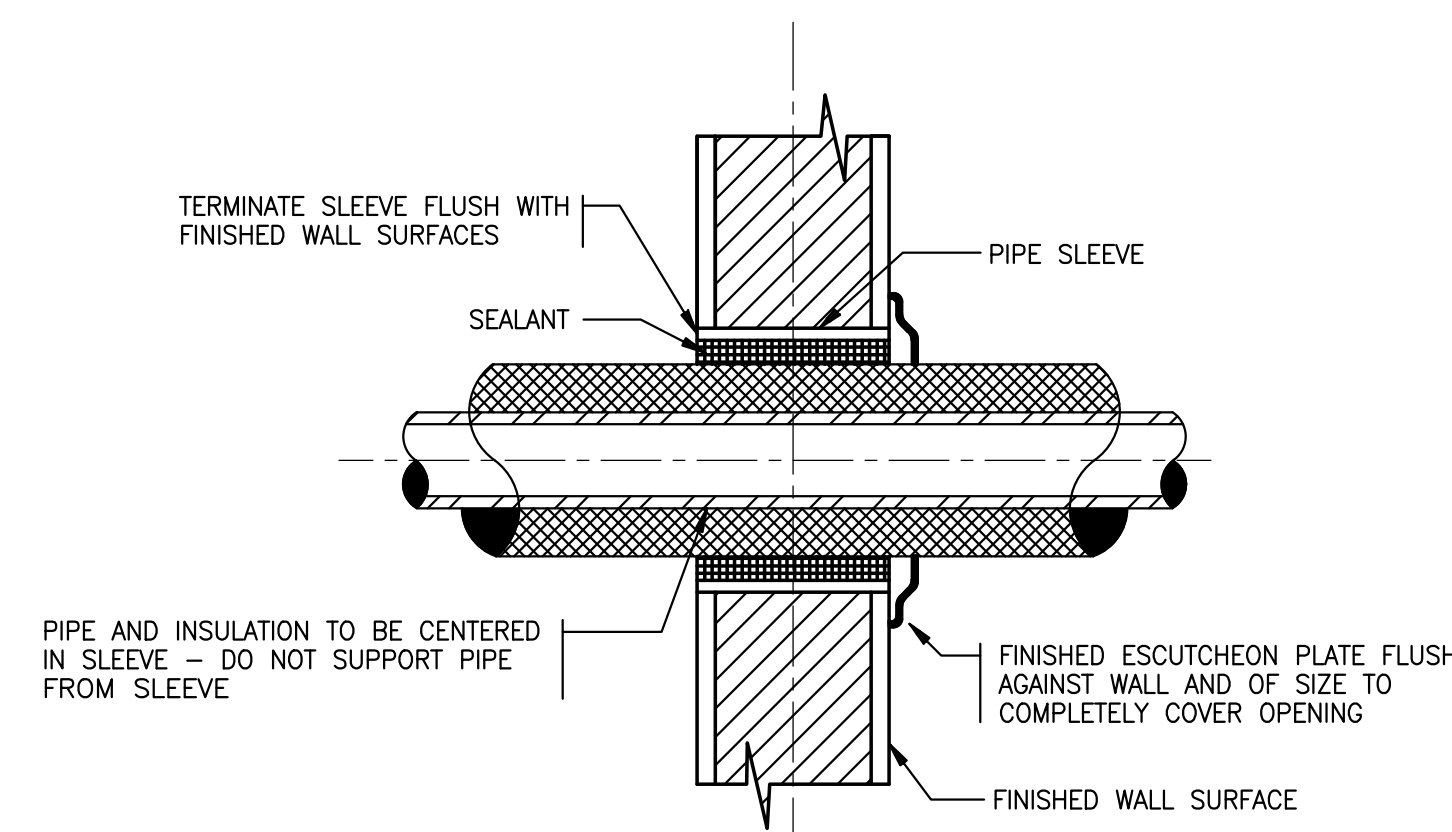
HANGER ROD SCHEDULE		HANGER ROD SPACING	
PIPE SIZE	ROD SIZE	PIPE SIZE	MAX. ALLOWABLE SPACING
UP TO 2"	3/8" DIA	1"	7"
2 1/2" THRU 3"	1/2" DIA	1 1/4"	8"
4" AND 5"	5/8"	1 1/2"	9"
6" THRU 8"	3/4"	2"	10"
12"	7/8"	2 1/2"	11"
		3" THRU 8"	12"
		10" & 12"	15"



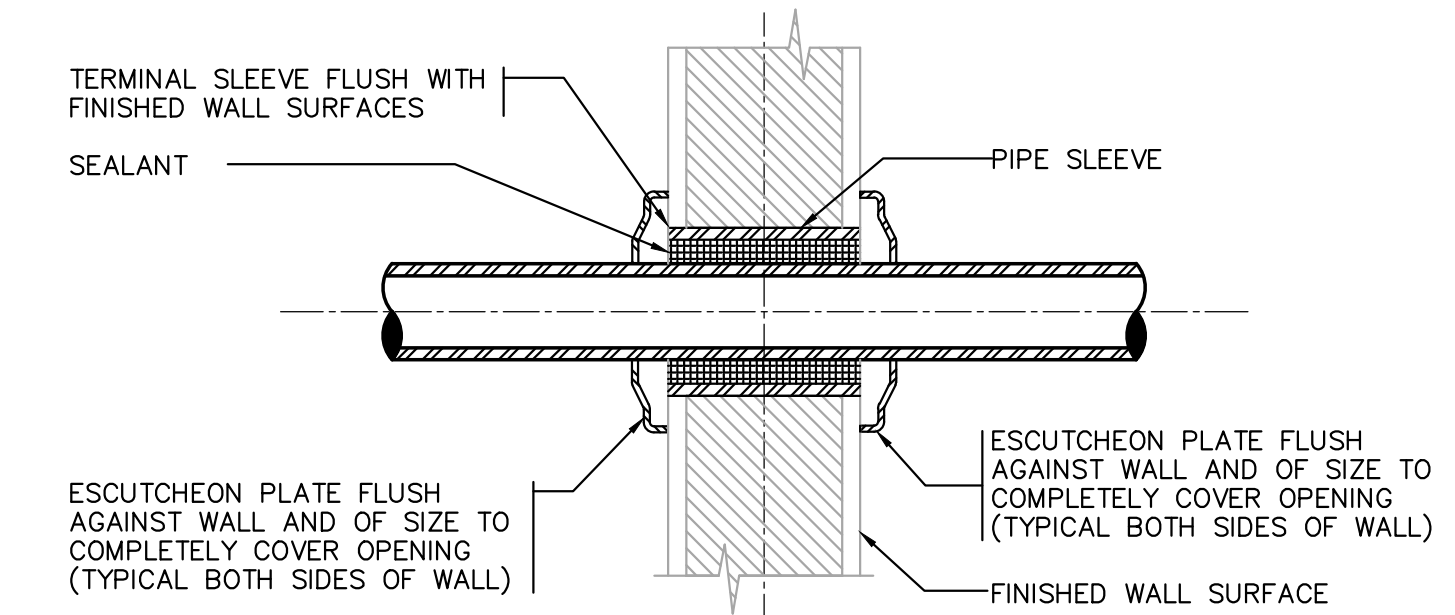
**3 TYPICAL METHODS OF SECURING HANGER RODS TO STRUCTURAL STEEL DETAIL**  
SCALE: N.T.S.



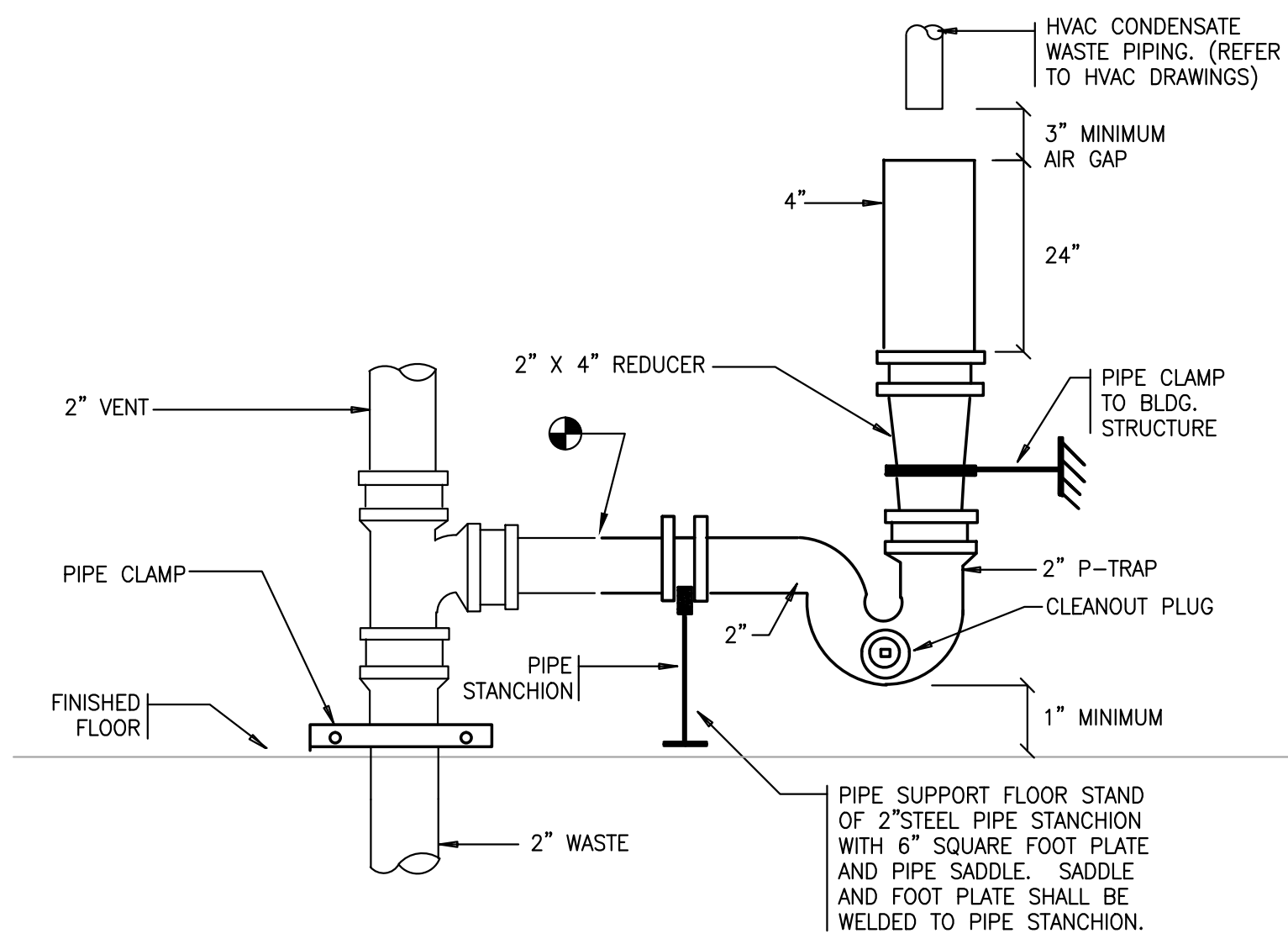
**4 TRANSVERSE ARM BRACE FOR CLEVIS HUNG PIPING**  
SCALE: N.T.S.



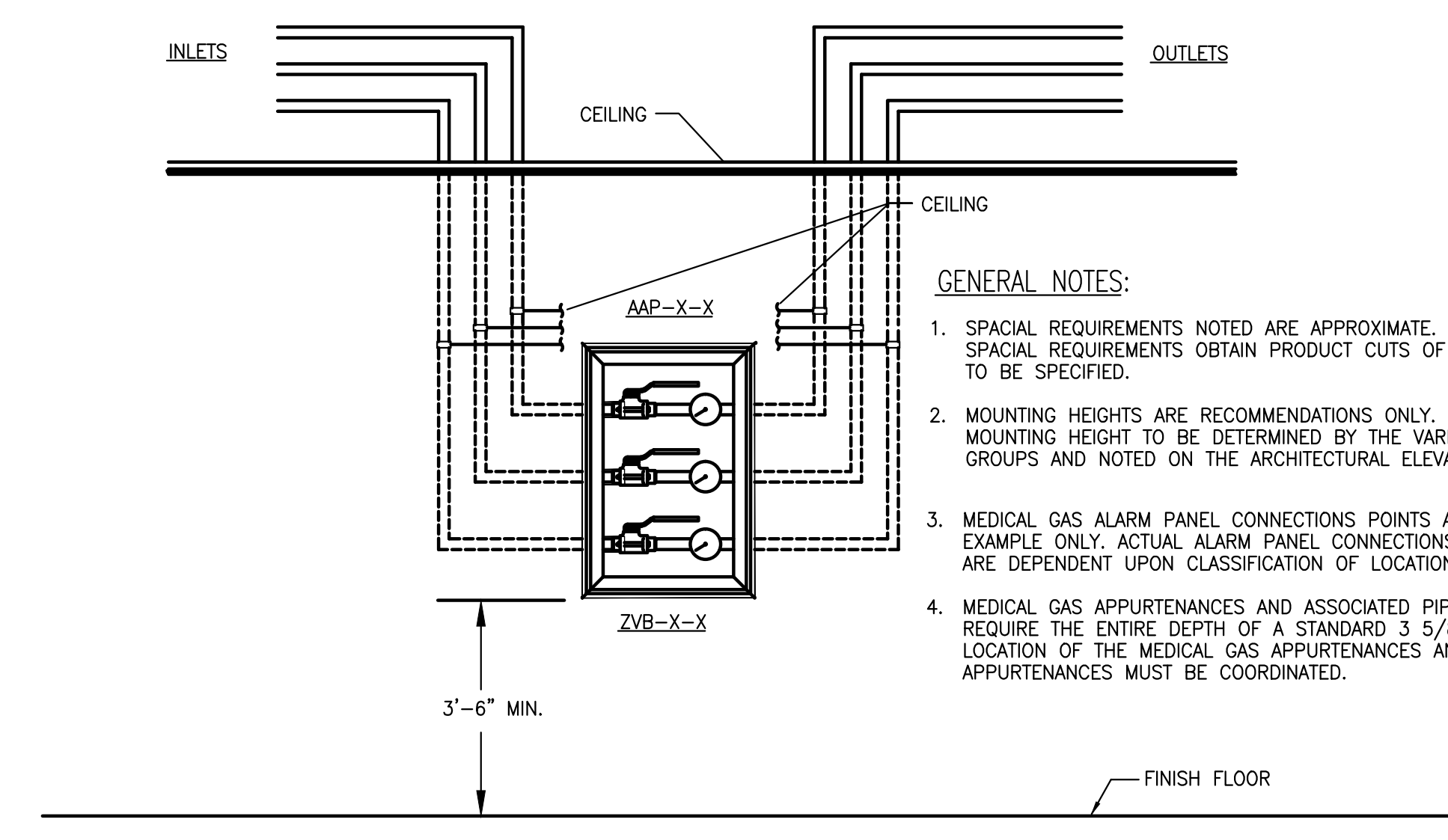
**5 PIPE SLEEVE THRU INTERIOR WALL**  
SCALE: N.T.S.



**6 PIPE PENETRATION WITHOUT INSULATION**  
SCALE: N.T.S.



**7 OPEN END DRAIN DETAIL**  
SCALE: N.T.S.

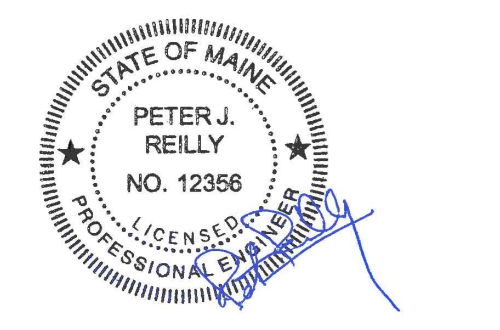


**8 MEDICAL GAS ZONE CONTROL VALVES ASSEMBLY**  
SCALE: N.T.S.

- GENERAL NOTES:**
- SPECIAL REQUIREMENTS NOTED ARE APPROXIMATE, FOR EXACT SPECIAL REQUIREMENTS OBTAIN PRODUCT CUTS OF COMPONENTS TO BE SPECIFIED.
  - MOUNTING HEIGHTS ARE RECOMMENDATIONS ONLY, EXACT MOUNTING HEIGHT TO BE DETERMINED BY THE VARIOUS USER GROUPS AND NOTED ON THE ARCHITECTURAL ELEVATIONS.
  - MEDICAL GAS ALARM PANEL CONNECTIONS POINTS ARE FOR EXAMPLE ONLY, ACTUAL ALARM PANEL CONNECTIONS POINTS ARE DEPENDENT UPON CLASSIFICATION OF LOCATION OR AREA.
  - MEDICAL GAS APPURTENANCES AND ASSOCIATED PIPING REQUIRE THE ENTIRE DEPTH OF A STANDARD 3 5/8" STUD. THE LOCATION OF THE MEDICAL GAS APPURTENANCES AND ELECTRICAL APPURTENANCES MUST BE COORDINATED.

225 Franklin Street, Suite 1100  
Boston, MA 02110  
617.478.0300  
617.478.0321  
www.perkinswill.com

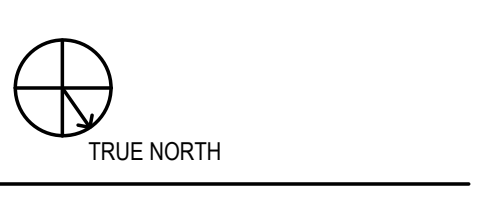
**CONSULTANTS**  
AKF Group, LLC  
99 Bedford Street, 2nd Floor  
Boston, MA 02111  
617.737.1111  
617.737.4311



**PROJECT**  
MMC Cath Lab 4  
22 Bramhall Street  
Portland, ME 04102

**Maine Medical Center**  
MaineHealth  
22 Bramhall Street  
Portland, ME 04102

**KEYPLAN**



**ISSUE FOR BID**  
01/15/2016  
**ISSUE CHART**

NO	ISSUE	DATE
Job Number	B150268-000	
Checked		
Approved		

**TITLE**  
PLUMBING SCHEDULES & DETAILS SHEET

**SHEET NUMBER**  
P-200

SAVE DATE: 1/15/2016 4:11 PM  
PLOT DATE: 1/27/2016 3:38 PM  
LOGIN: Courteseeal, Christopher  
P:\Projects\B1500001\B150268-000\Drawings\Plg\B150268-000\_P\_200\_SCHEDULES AND DETAILS.dwg