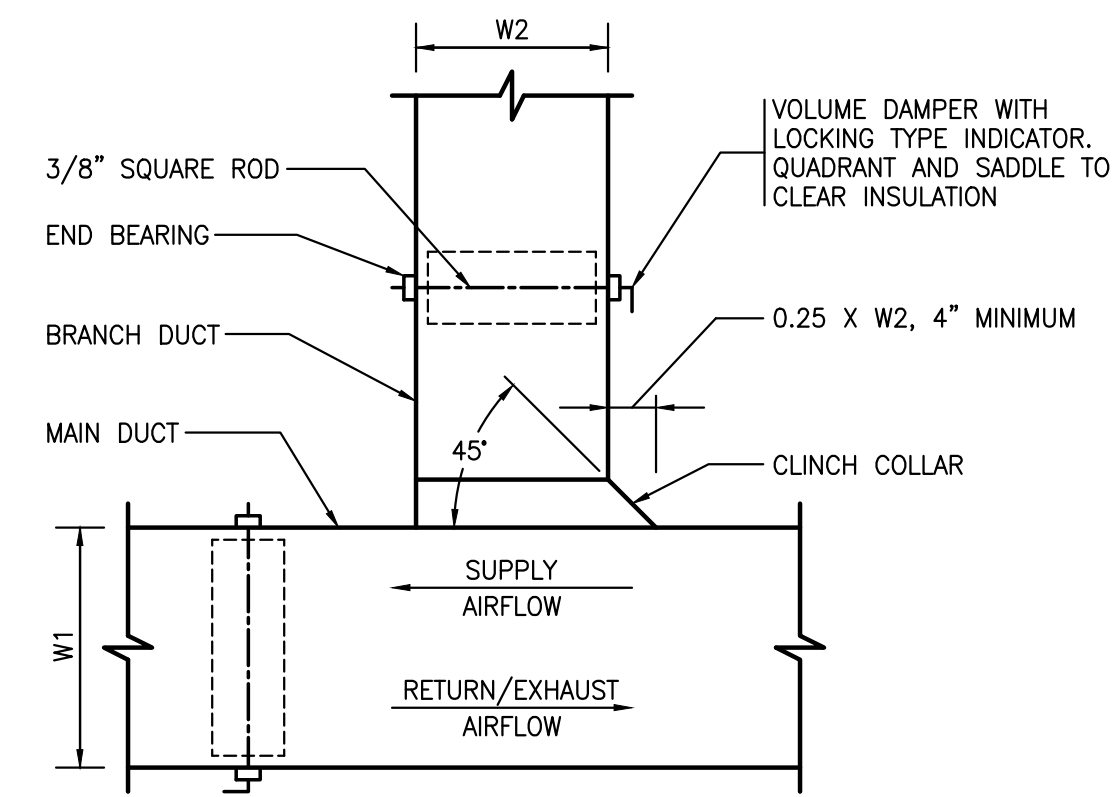


**VANED ELBOW**                      **TURNING VANE**

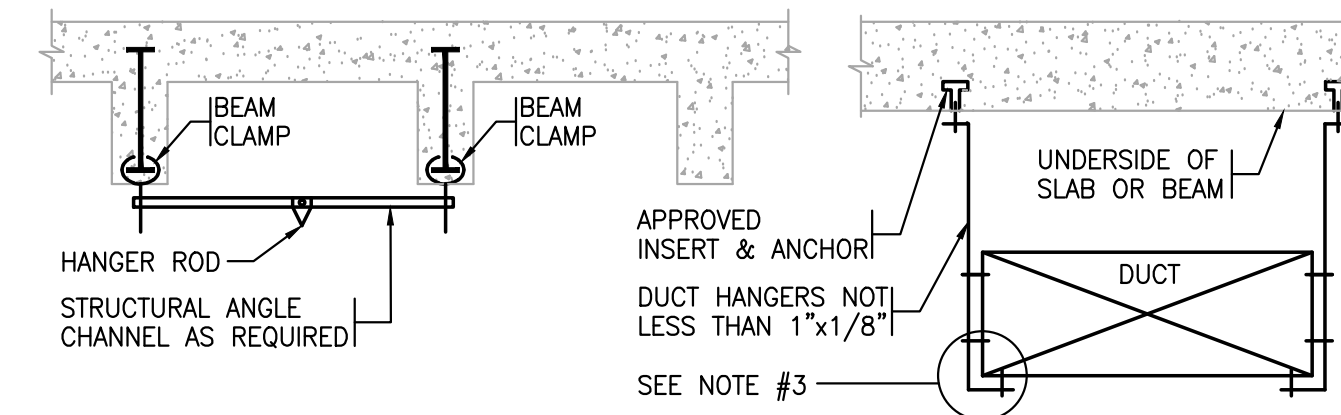
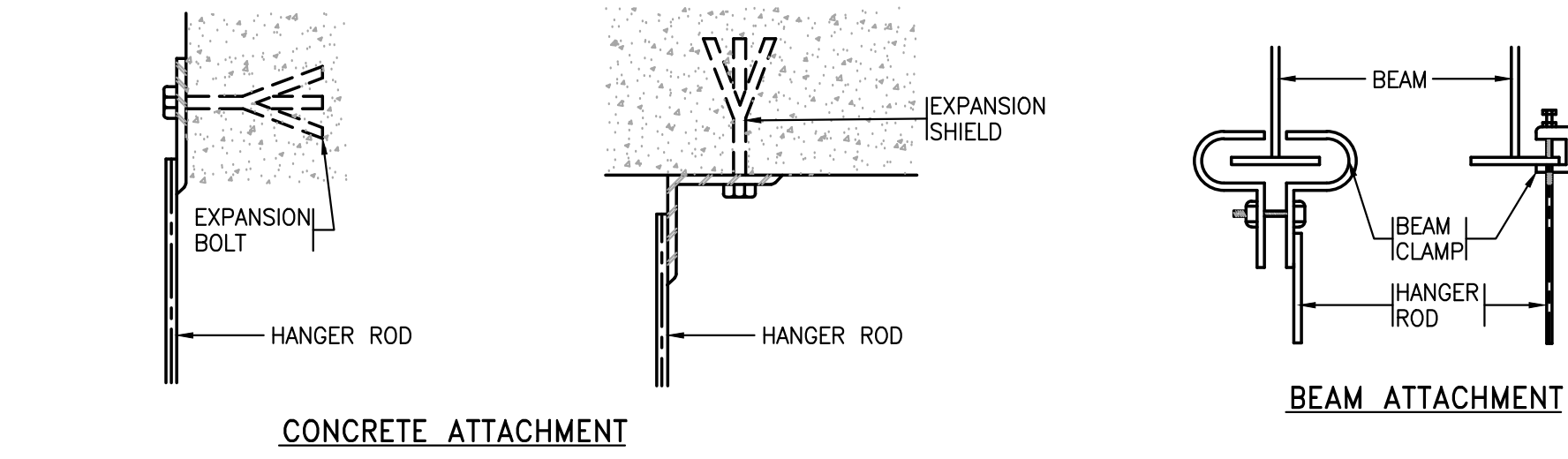
- NOTES:**
1. LOCKING LUGS INTERNAL WITH VANE
  2. MAXIMUM UNSUPPORTED VANE LENGTH 48"
  3. FRAMES - BOLTED OR RIVETED TO ELBOW
  4. VANES AND FRAMES - SAME GAUGE AS ELBOW

**1**  
**M200**    **DOUBLE THICKNESS TURNING VANES FOR SQUARE ELBOWS**



- NOTES:**
1. FURNISH THIS TYPE CONNECTION WHEN SINGLE LINE DUCTWORK IS INDICATED AS THIS FOR LOW PRESSURE BRANCHES WITH LESS THAN 700 CFM AND MEDIUM PRESSURE BRANCHES WITH LESS THAN 1,000 CFM.
  2. NOT TO BE USED AS A SUBSTITUTE FOR AN ELBOW.

**2**  
**M200**    **RECTANGULAR DUCT ANGULAR TAP WITH VOLUME DAMPER**



- NOTES:**
1. ALL DUCTWORK TO BE HUNG FROM BUILDING CONSTRUCTION. DO NOT SUPPORT FROM HUNG CEILING.
  2. WHEN DUCT AREA EXCEEDS 8 SQ. FT. ANGLE STIFFENERS ARE REQUIRED AROUND CIRCUMFERENCE EVERY 4'-0".
  3. FOR DUCTS OVER 48" WIDE, HANGERS SHALL TURN UNDER DUCT AT LEAST 2" AND SHALL BE FASTENED TO THE BOTTOM AS WELL AS TO THE SIDES OF THE DUCT.
  4. FOR DUCTS WITH A CROSS SECTIONAL AREA OF 4 SQ. FT. OR LESS, HANGERS SHALL BE NO MORE THAN 8 FT. APART. FOR DUCTS WITH A CROSS SECTIONAL AREA OF MORE THAN 4 SQ. FT. BUT NOT OVER 8 SQ. FT., HANGERS SHALL NOT BE MORE THAN 6 FT. APART. FOR DUCTS WITH A CROSS SECTIONAL AREA MORE THAN 8 SQ. FT., HANGERS SHALL NOT BE MORE THAN 4 FT. APART. THE DISTANCES BETWEEN HANGERS SHALL BE MEASURED LINEARLY ALONG THE DUCT.

LONGEST DIMENSION OF DUCT	ROUND HANGERS	MAXIMUM SPACING NOTE #4	STRAP HANGERS	TRAPEZE SHELF ANGLES
UP TO 18"	8 GA WIRE	8'-0"	1"x1/8"	1"x1"x1/8"
19" TO 30"	1/4" ROD	8'-0"	1"x1/8"	1"x1"x1/8"
31" TO 42"	1/4" ROD	8'-0"	1"x1/8"	1-1/2"x1-1/2"x1/8"
43" TO 60"	3/8" ROD	4'-0"	-	1-1/2"x1-1/2"x1/8"
61" TO 84"	3/8" ROD	4'-0"	-	2"x2"x1/8"
85" TO 96"	3/8" ROD	4'-0"	-	2"x2"x3/16"
OVER 97"	3/8" ROD	4'-0"	-	2"x2"x1/4"

**3**  
**M200**    **DUCT SUPPORT DETAIL**

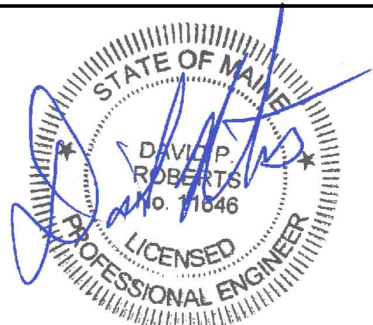
DESIGNATION	SERVICE	CFM RANGE	MAX NC	TYPE	NECK SIZE (IN.)/SIZE & NO. OF SLOTS	NOMINAL OVERALL DIMENSION WxL (IN.)	MANUF. MODEL	REMARKS
CD-A	CATH LAB #4	600					PRICE HDGR	CUSTOM PLENUM
CD-B	CATH LAB #4	600					PRICE HDGR	CUSTOM PLENUM
RC-A	CATH LAB #4	500	25	WALL	12x14	14x16	PRICE 730	STAINLESS STEEL
RC-B		480	25	WALL	12x14	14x16	PRICE 730	



225 Franklin Street, Suite 1100  
Boston, MA 02110  
617.478.0300  
617.478.0321  
www.perkinswill.com

**CONSULTANTS**

**AKF Group, LLC**  
99 Bedford Street, 2nd Floor  
Boston, MA 02111  
617.237.1111  
617.237.4311



**PROJECT**

**MMC Cath Lab 4**  
22 Bramhall Street  
Portland, ME 04102



**Maine Medical Center**  
22 Bramhall Street  
Portland, ME 04102

**KEYPLAN**



**ISSUE FOR BID**  
01/15/2016  
**ISSUE CHART**

NO.	ISSUE	DATE
Job Number	B150268-000	
Checked	DPR	
Approved	DPR	

**TITLE**  
**MECHANICAL SCHEDULES AND DETAILS**

**SHEET NUMBER**

**M-200**

SAVE DATE: 1/15/2016 4:33 PM

LOGIN: Cousineau, Christopher    PLOT DATE: 1/27/2016 3:28 PM

P:\Projects\B150268-000\Drawings\Mech\B150268-000\_M-200 SCHEDULES.dwg