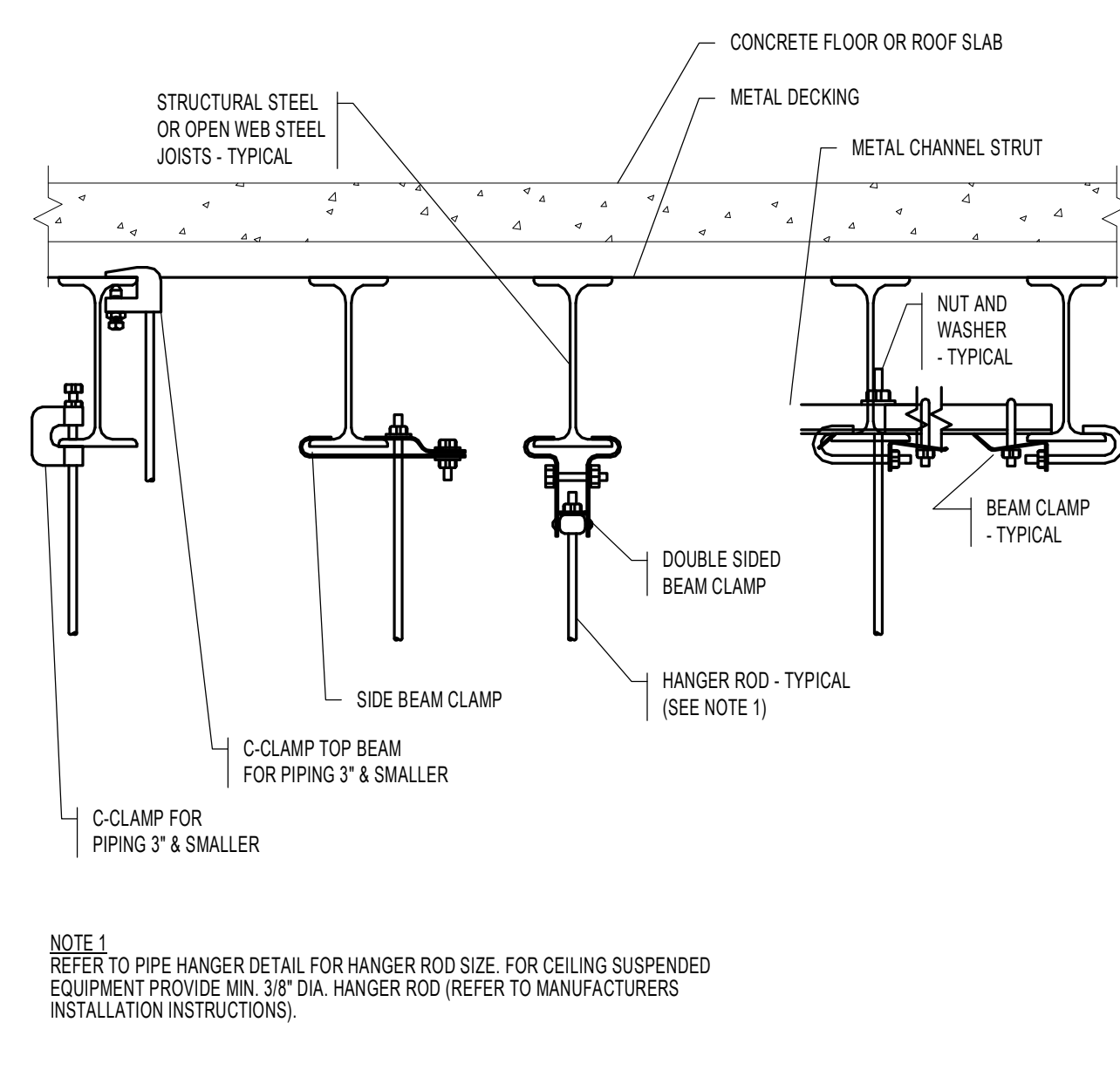
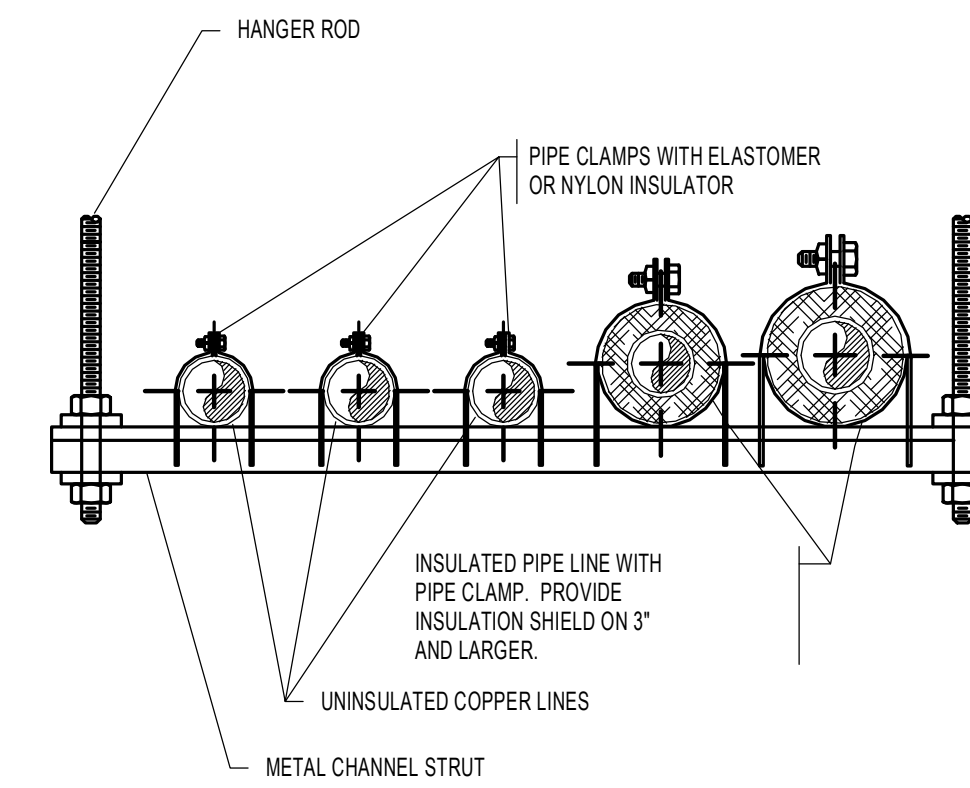


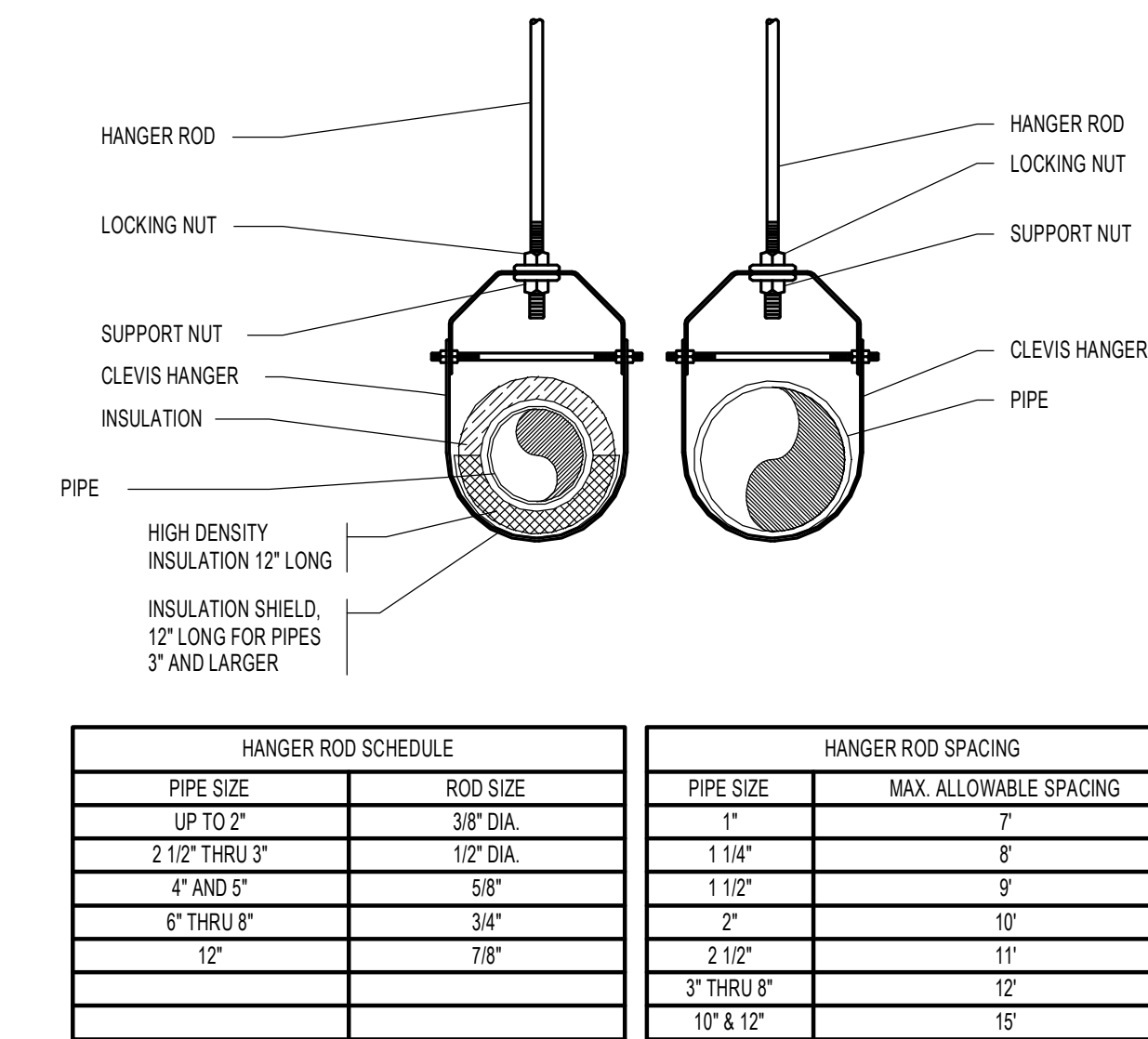
1 SINGLE ARM BRACE FOR TRAPEZE HUNG PIPE
SCALE: N.T.S.



2 TYPICAL METHODS OF SECURING HANGER RODS TO STRUCTURAL STEEL DETAIL
SCALE: N.T.S.



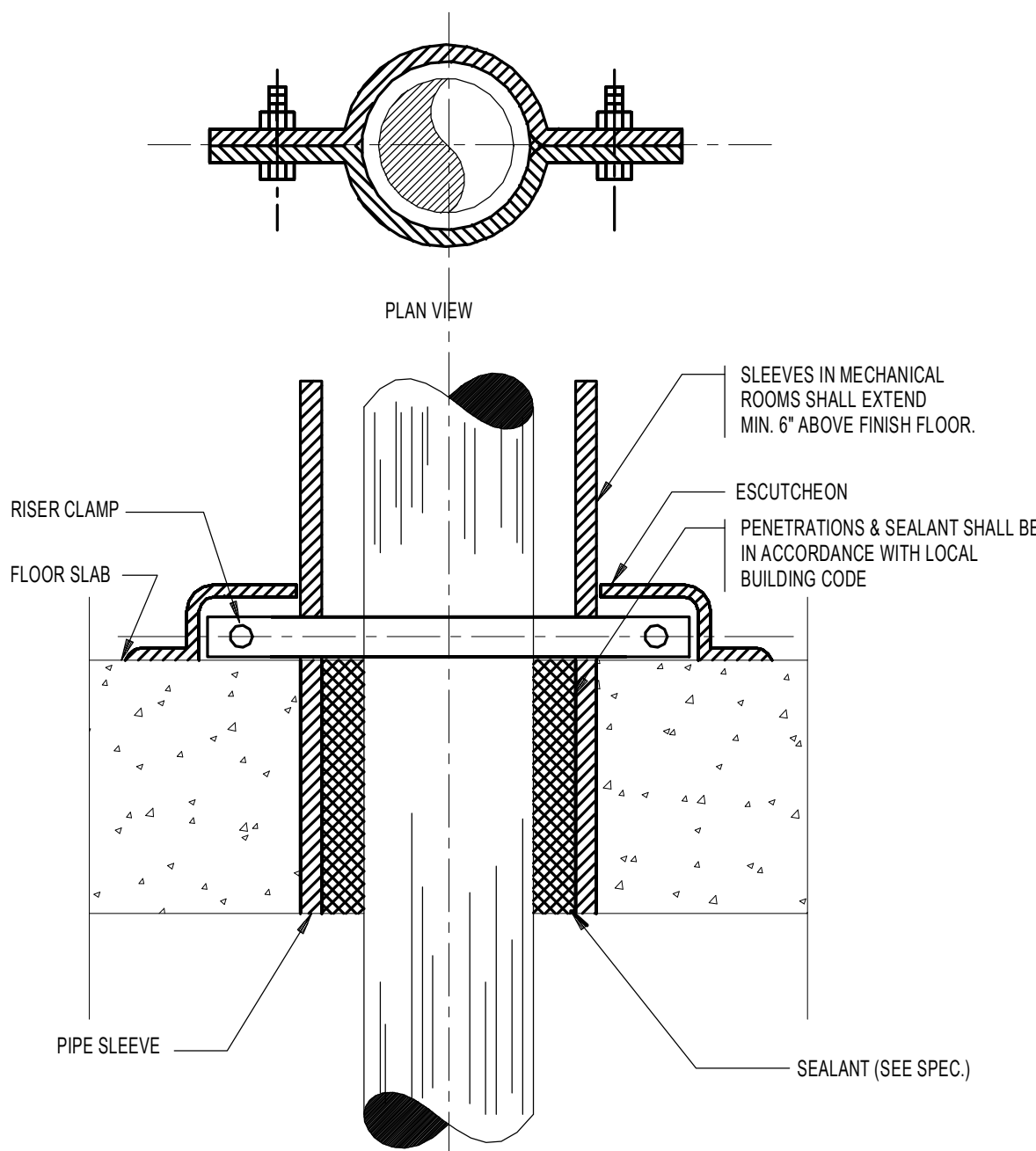
3 TRAPEZE PIPE HANGER
SCALE: N.T.S.



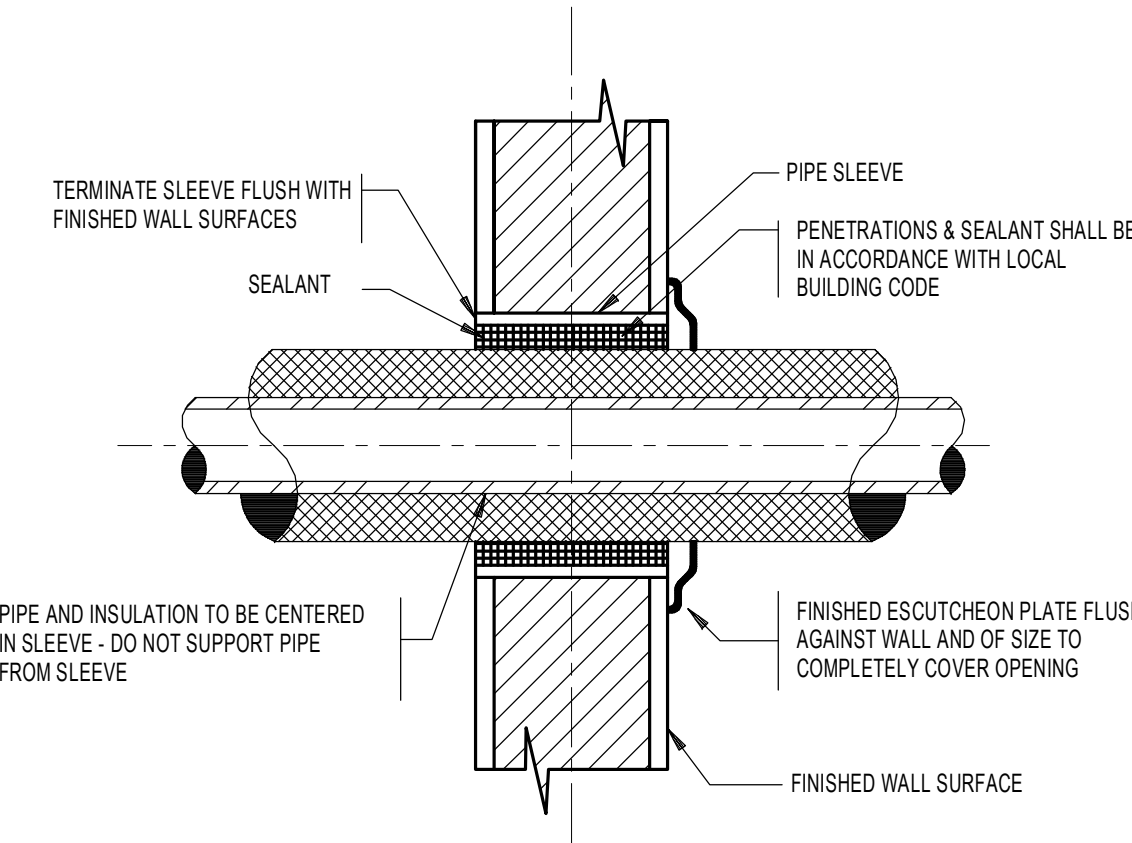
HANGER ROD SCHEDULE		HANGER ROD SPACING	
PIPE SIZE	ROD SIZE	PIPE SIZE	MAX. ALLOWABLE SPACING
UP TO 2"	3/8" DIA.	1"	7'
2 1/2" THRU 3"	1/2" DIA.	1 1/4"	8'
4" AND 5"	5/8"	1 1/2"	9'
6" THRU 8"	3/4"	2"	10'
12"	7/8"	2 1/2"	11'
		3" THRU 8"	12'
		10" & 12"	15'

4 PLUMBING PIPE HANGER INSTALLATION DETAIL
SCALE: N.T.S.

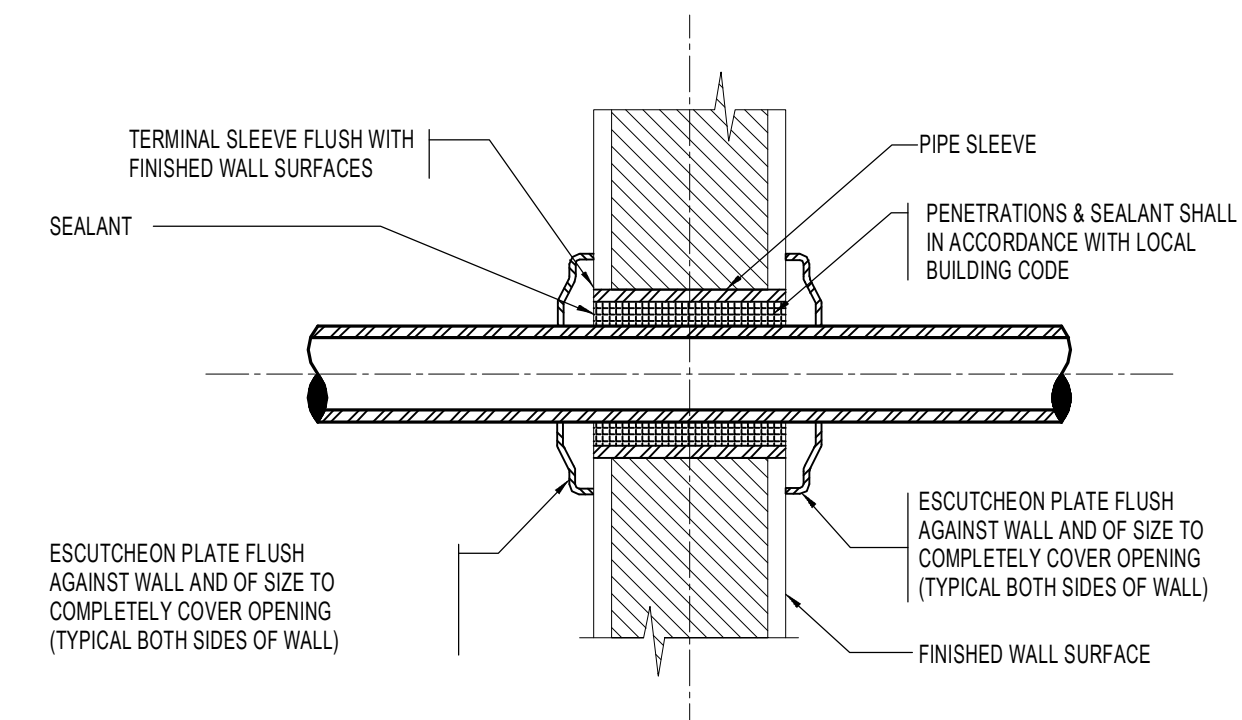
NOTE:
1. FIRESTOP SEALANTS AND PIPING PENETRATIONS THROUGH FIRE RATED ASSEMBLIES SHALL COMPLY WITH THE UL FIRE RESISTANCE DIRECTORY.



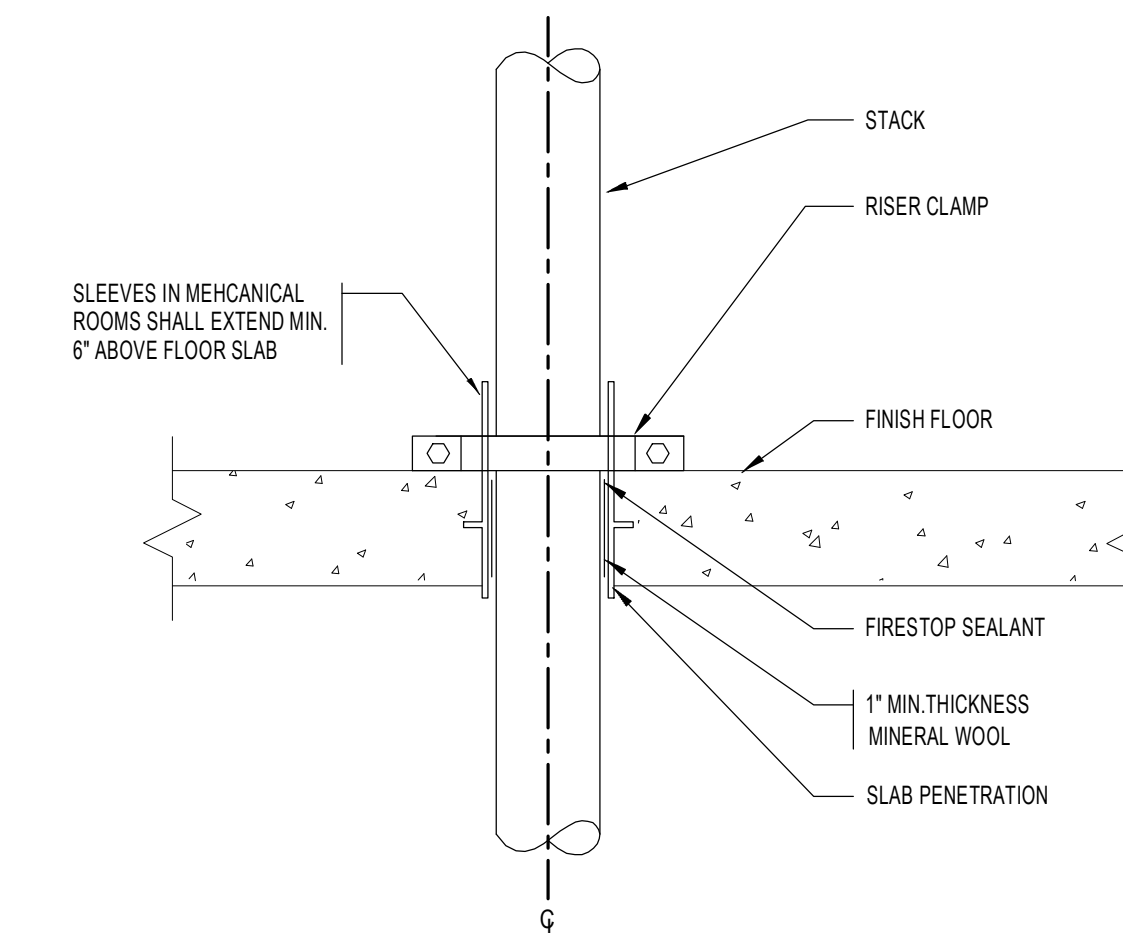
5 PIPE SLEEVE THRU EXPOSED FLOOR SLAB
SCALE: N.T.S.



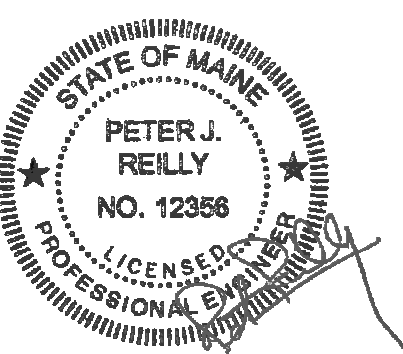
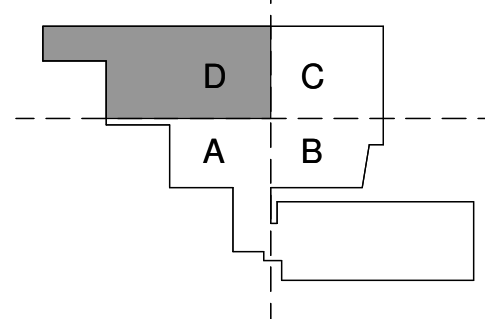
6 PIPE SLEEVE THRU INTERIOR WALL
SCALE: N.T.S.



7 PIPE PENETRATION WITHOUT INSULATION
SCALE: N.T.S.



8 TYPICAL FIRE RATED PIPE SLAB PENETRATION



Revisions

ISSUED FOR PERMIT NO.	08.21.2015
ISSUE DATE	
Sheet Information	
Date	JULY 31, 2015
Job #	B150155-000
Drawn	DC
Checked	JR
Approved	JR
Title	

**PLUMBING
DETAILS**

Sheet
P03-00