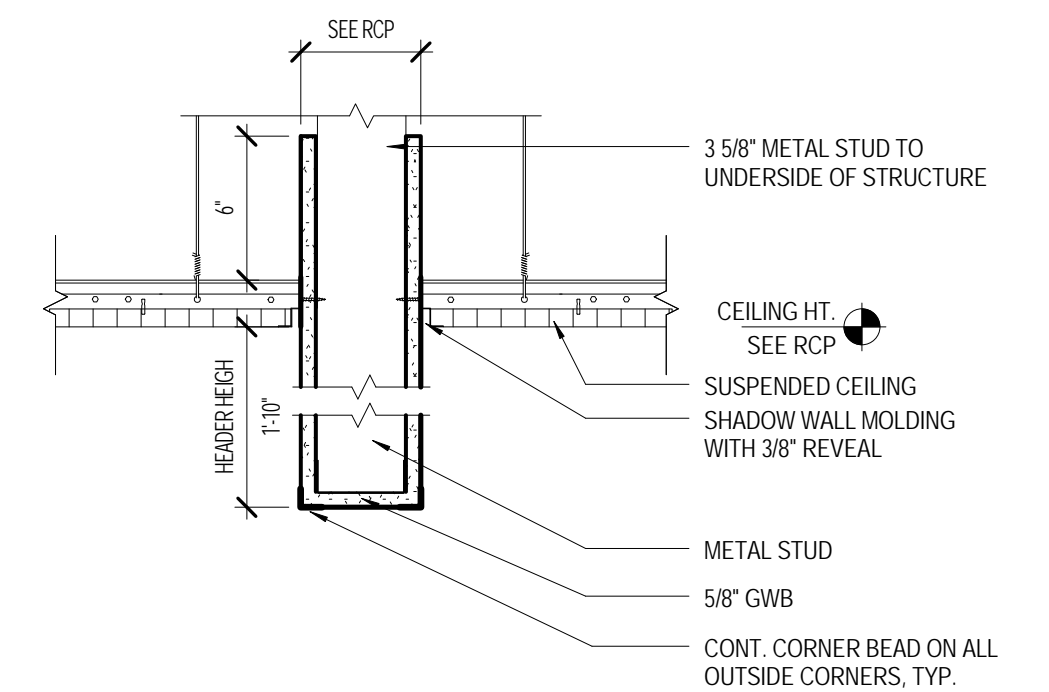


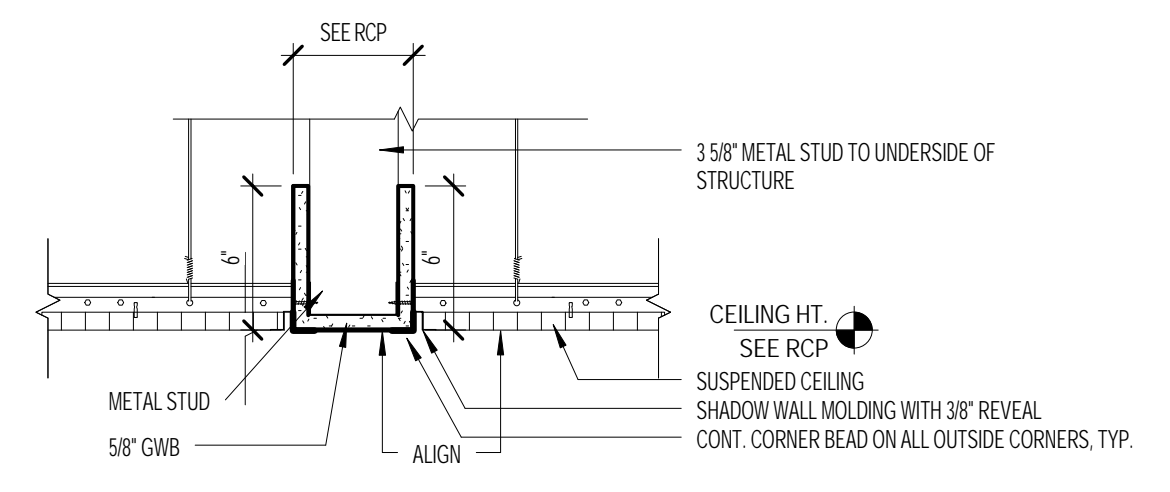
Revisions

ISSUED FOR PERMIT	08.21.2015
ISSUED FOR BID	07.31.2015
NO ISSUE	DATE
Sheet Information	
Date	AUGUST 21, 2015
Job #	152168.023
Drawn	Author
Checked	Checker
Approved	Approver
Title	

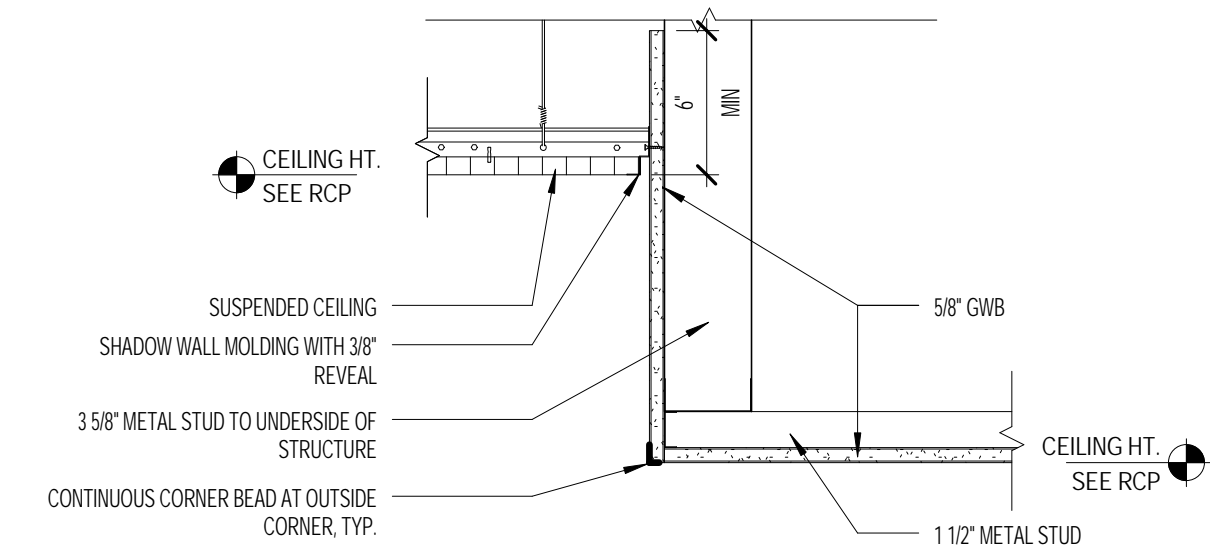
CEILING DETAILS



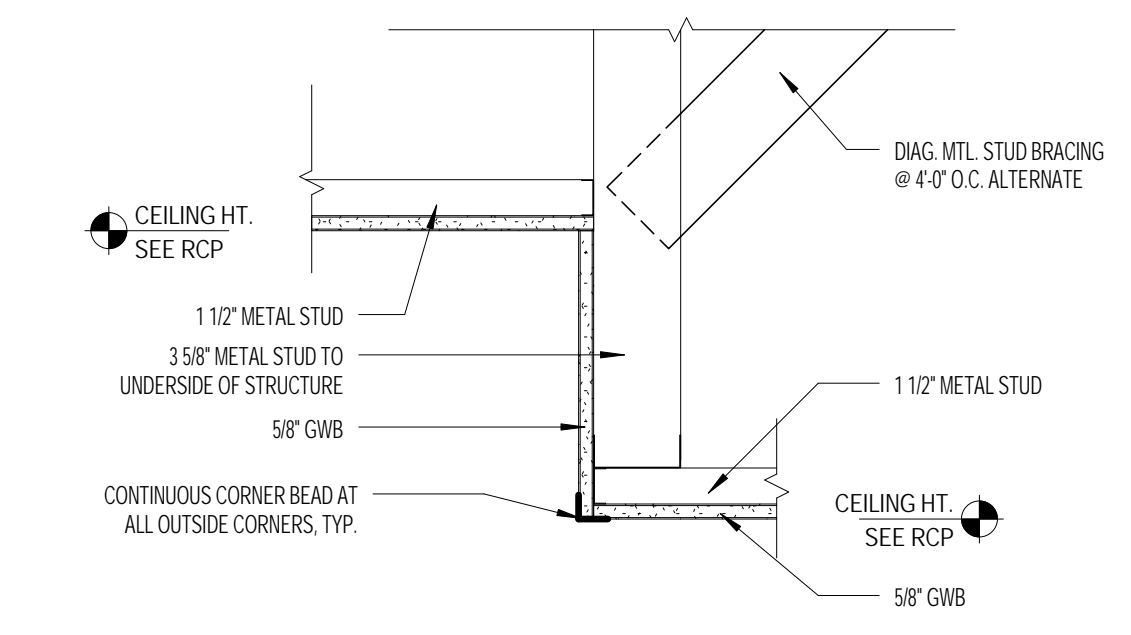
3 TYPICAL BULKHEAD DETAIL
1 1/2" = 1'-0"



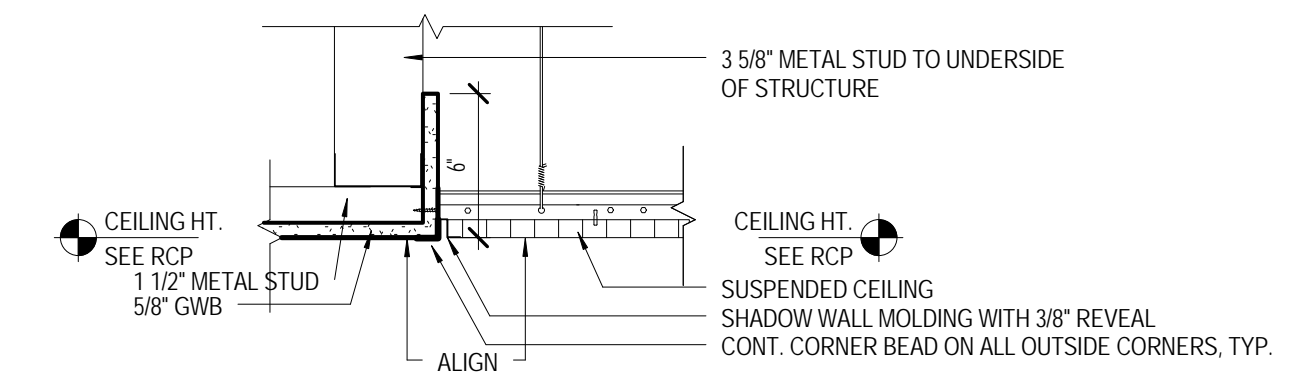
5 TYPICAL COPLANAR BULKHEAD DETAIL 1
1 1/2" = 1'-0"



2 CEILING DETAIL @ GWB/ACT SOFFIT
1 1/2" = 1'-0"



4 CEILING DETAIL @ GWB/GWB SOFFIT
1 1/2" = 1'-0"



1 CEILING DETAIL @ GWB/ACT COPLANAR
1 1/2" = 1'-0"