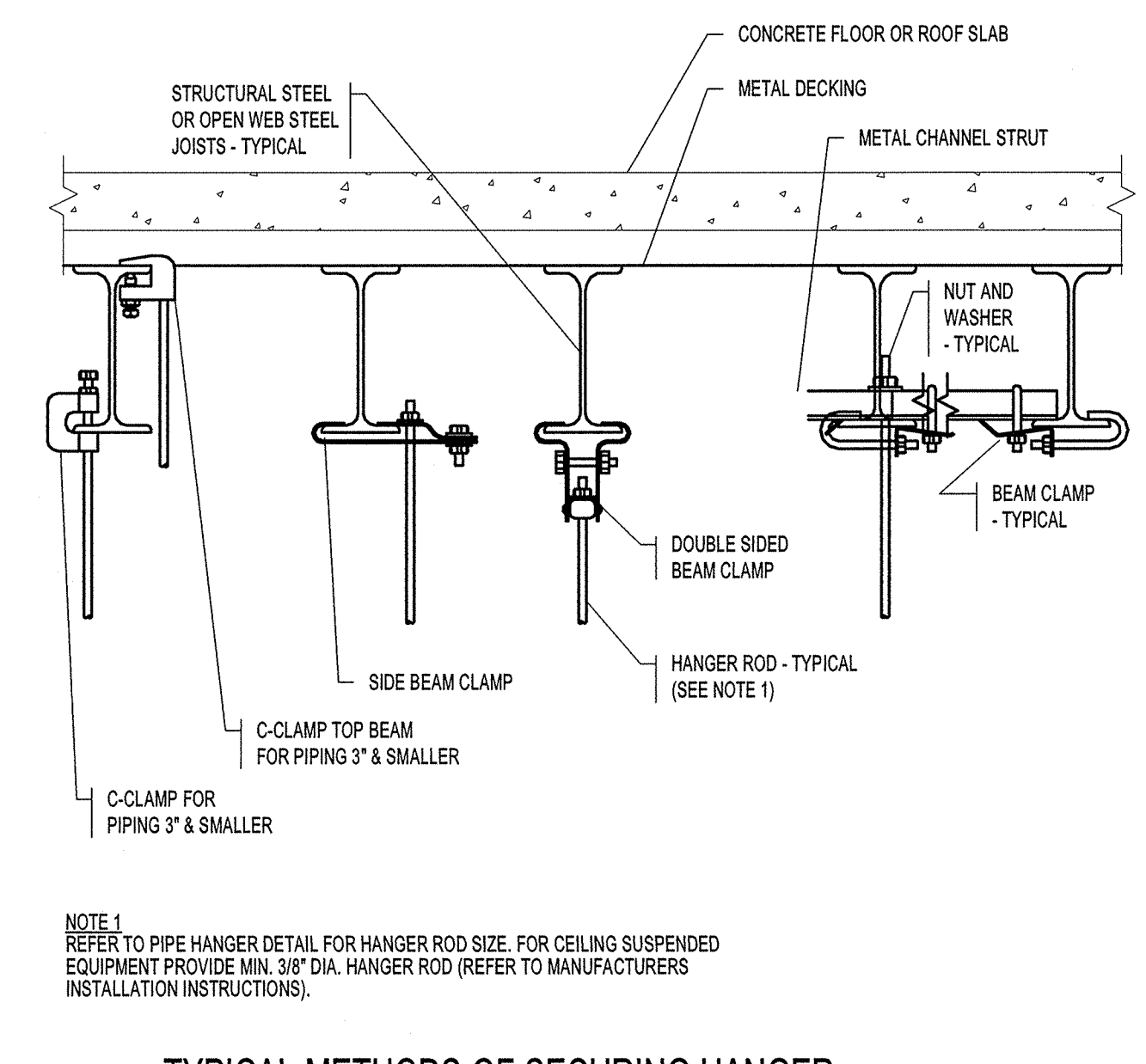
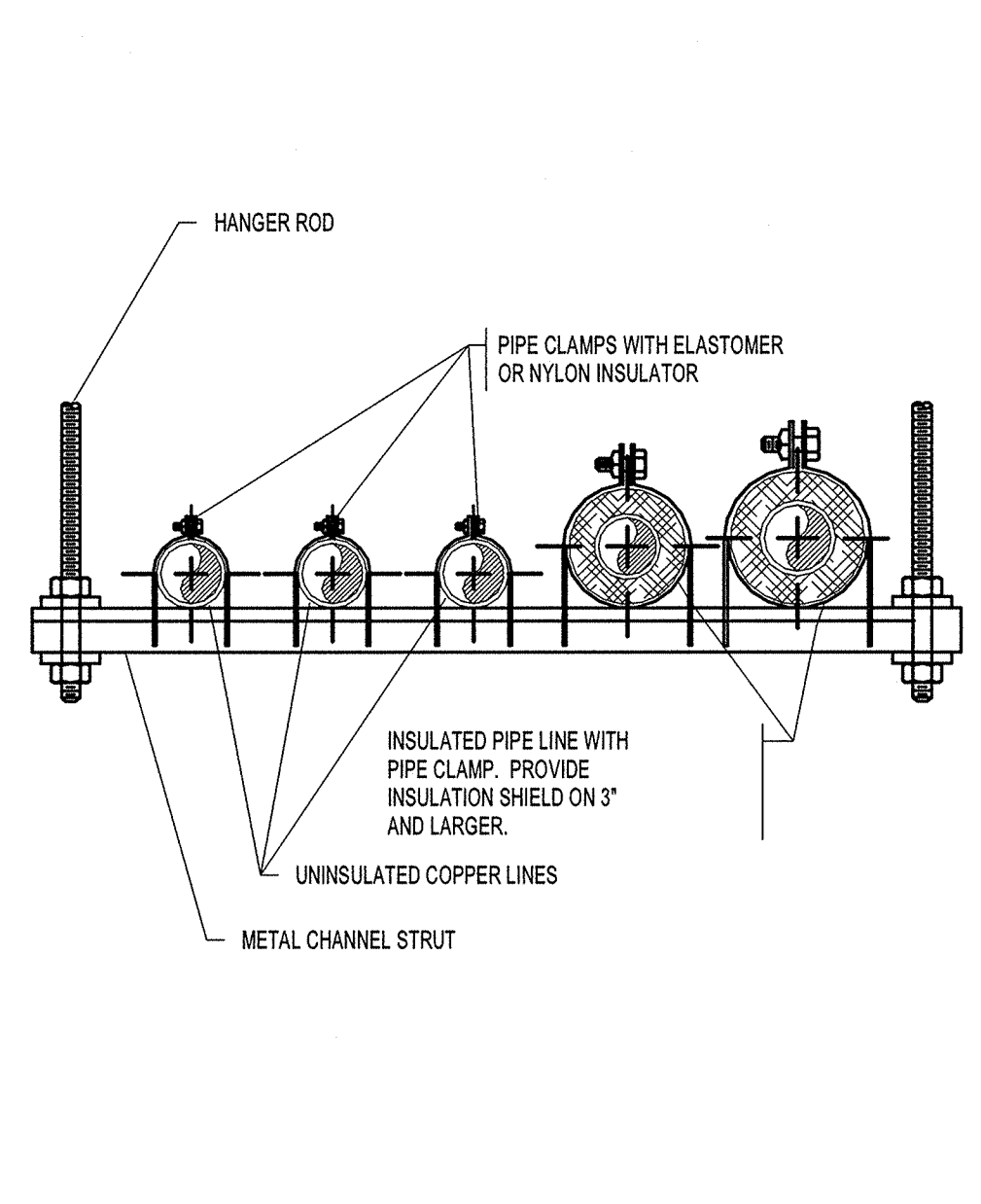


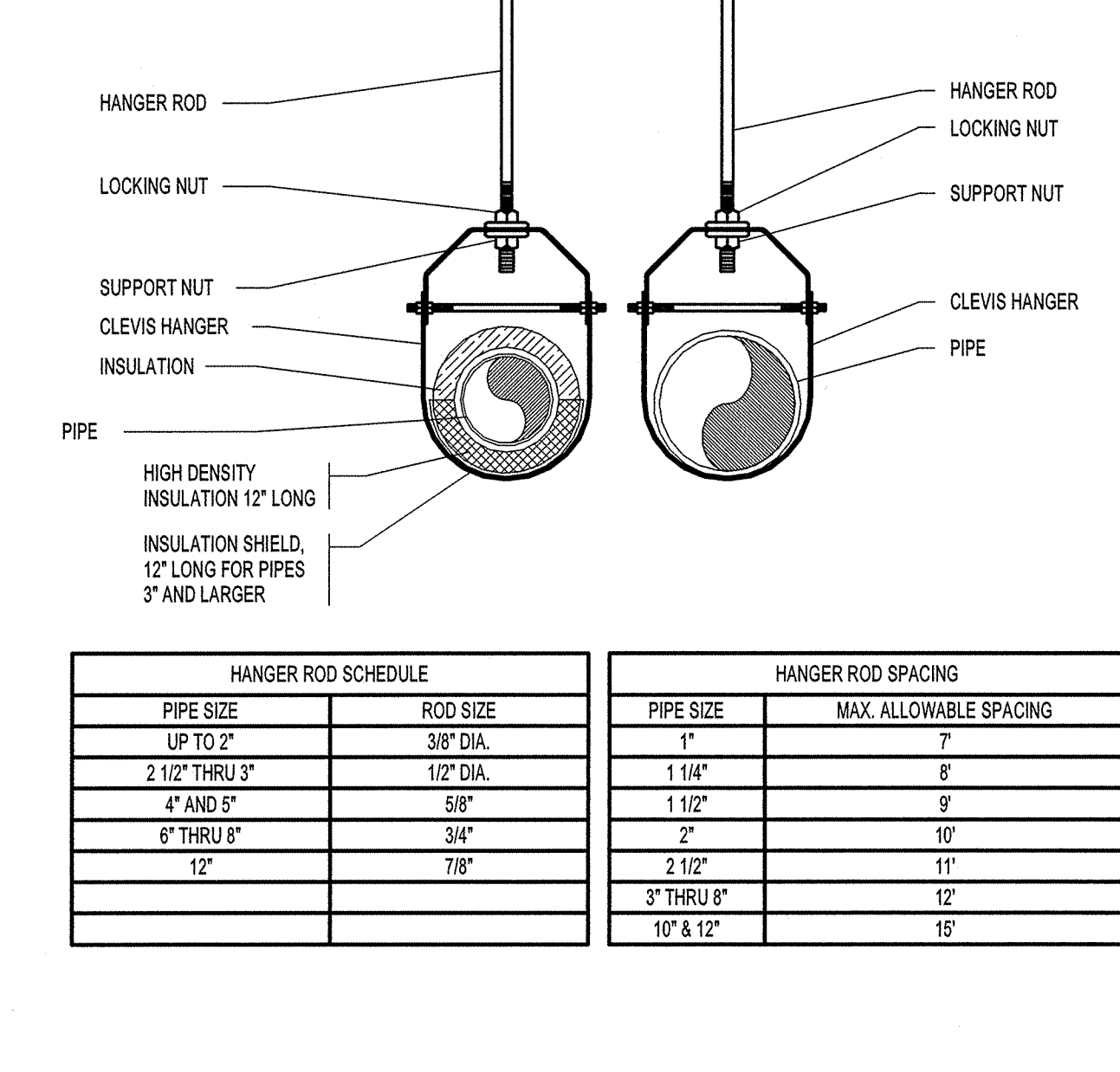
1 SINGLE ARM BRACE FOR TRAPEZE HUNG PIPE
SCALE: N.T.S.



2 TYPICAL METHODS OF SECURING HANGER RODS TO STRUCTURAL STEEL DETAIL
SCALE: N.T.S.

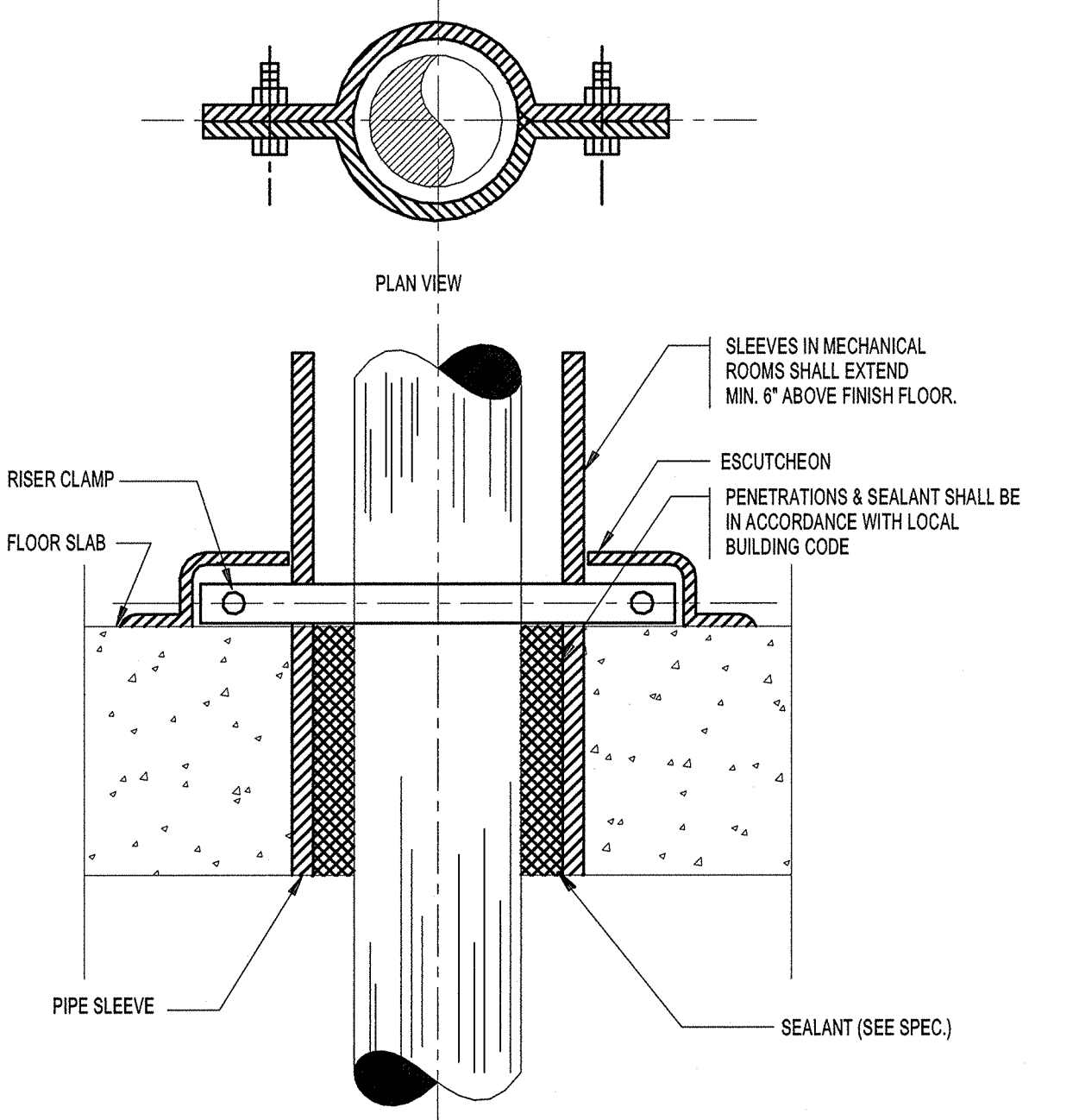


3 TRAPEZE PIPE HANGER
SCALE: N.T.S.

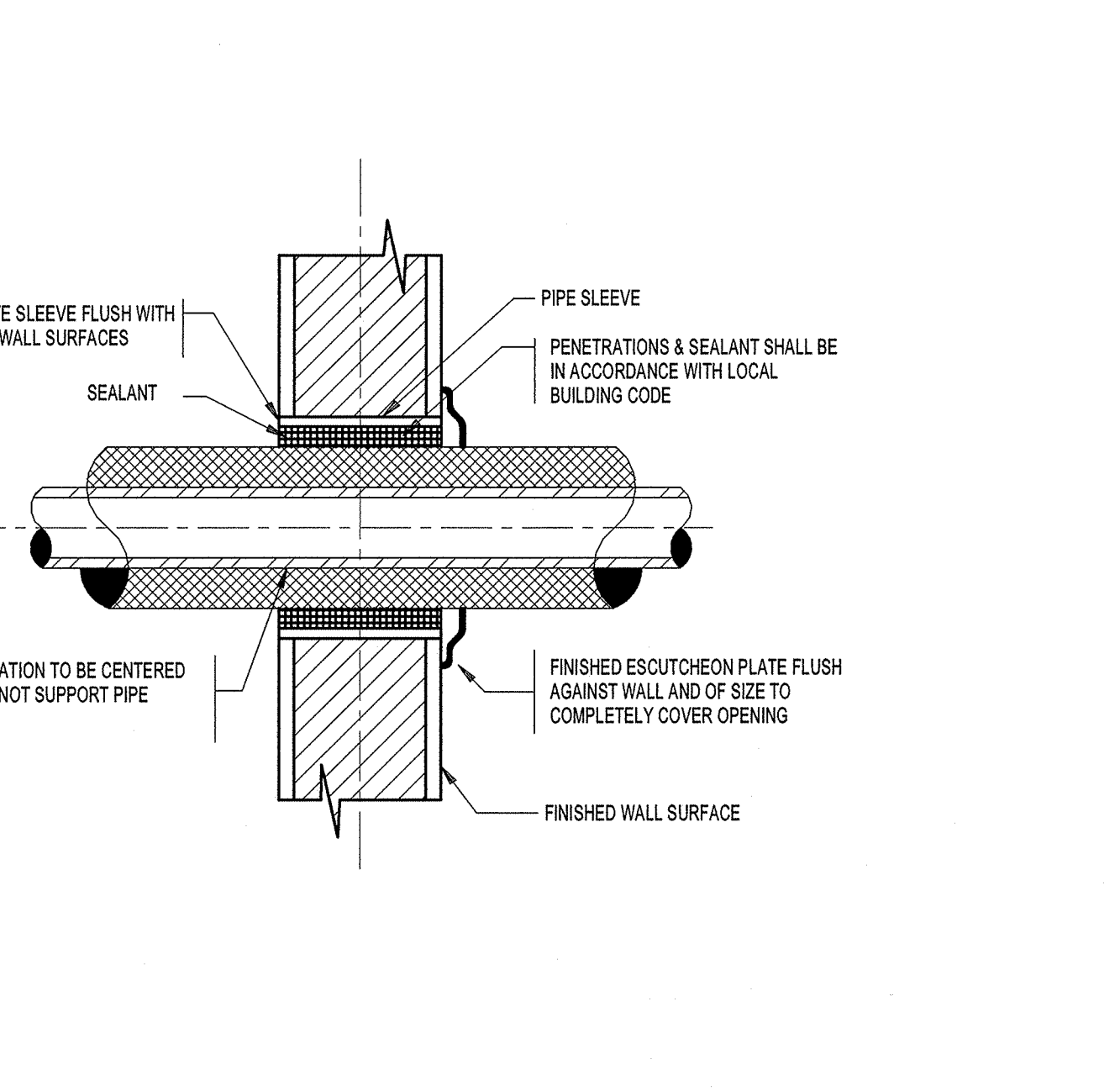


4 PLUMBING PIPE HANGER INSTALLATION DETAIL
SCALE: N.T.S.

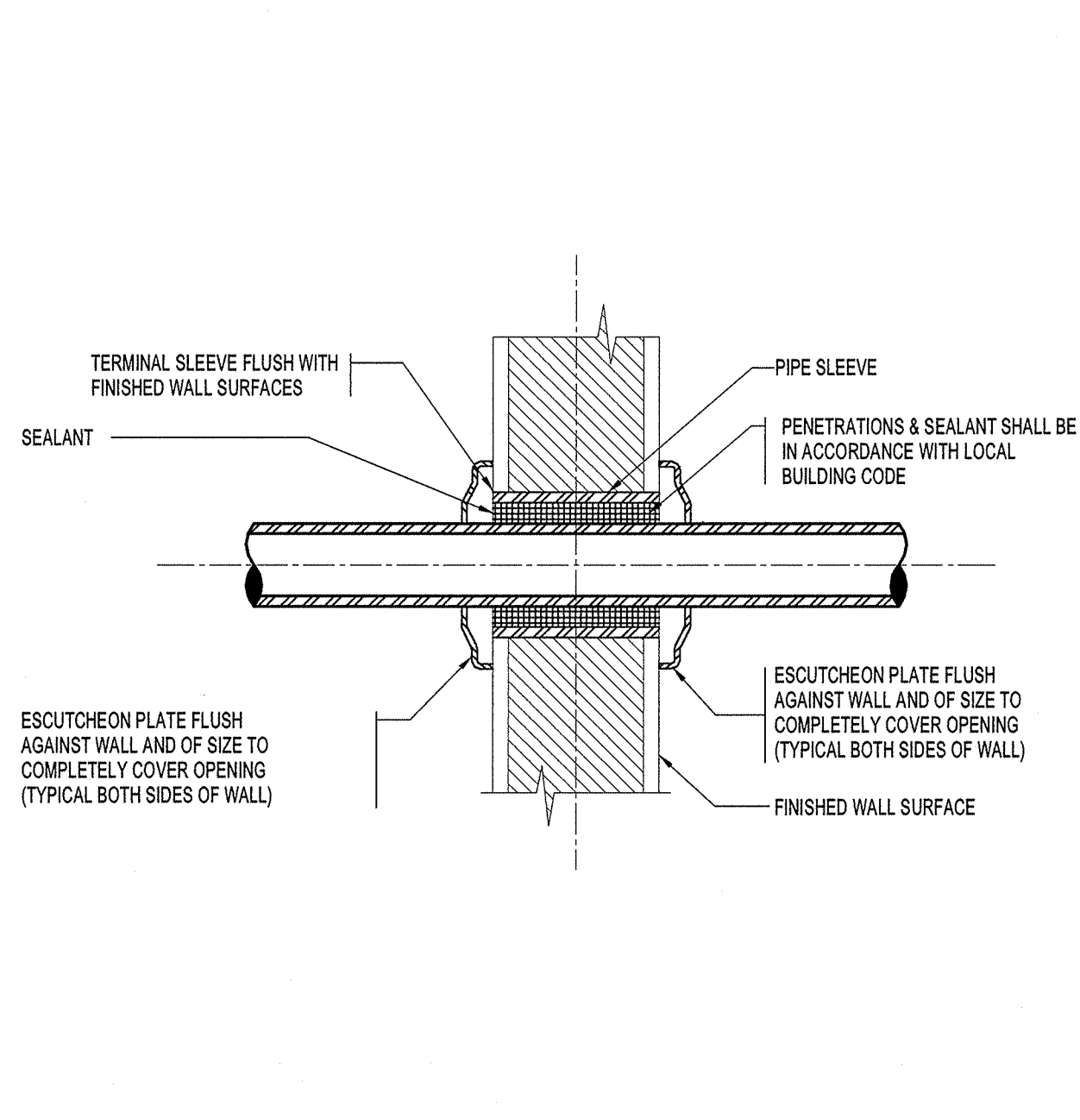
HANGER ROD SCHEDULE		HANGER ROD SPACING	
PIPE SIZE	ROD SIZE	PIPE SIZE	MAX. ALLOWABLE SPACING
UP TO 2"	3/8" DIA.	1"	7"
2 1/2" THRU 3"	1/2" DIA.	1 1/4"	8"
4" AND 5"	3/4"	1 1/2"	9"
6" THRU 8"	1"	2"	12"
12"	1 1/2"	2 1/2"	15"
		3" THRU 8"	12"
		10" & 12"	15"



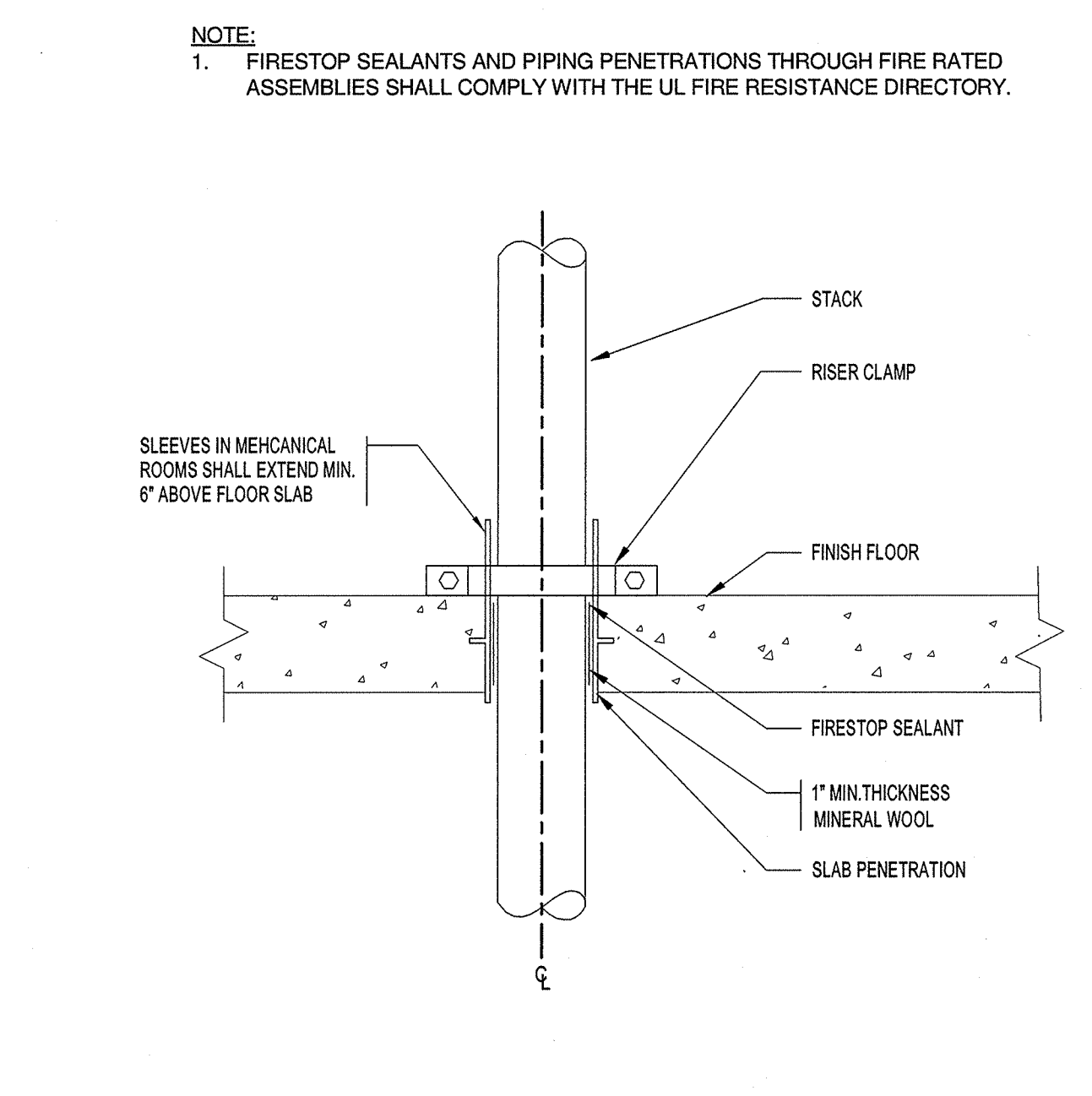
5 PIPE SLEEVE THRU EXPOSED FLOOR SLAB
SCALE: N.T.S.



6 PIPE SLEEVE THRU INTERIOR WALL
SCALE: N.T.S.

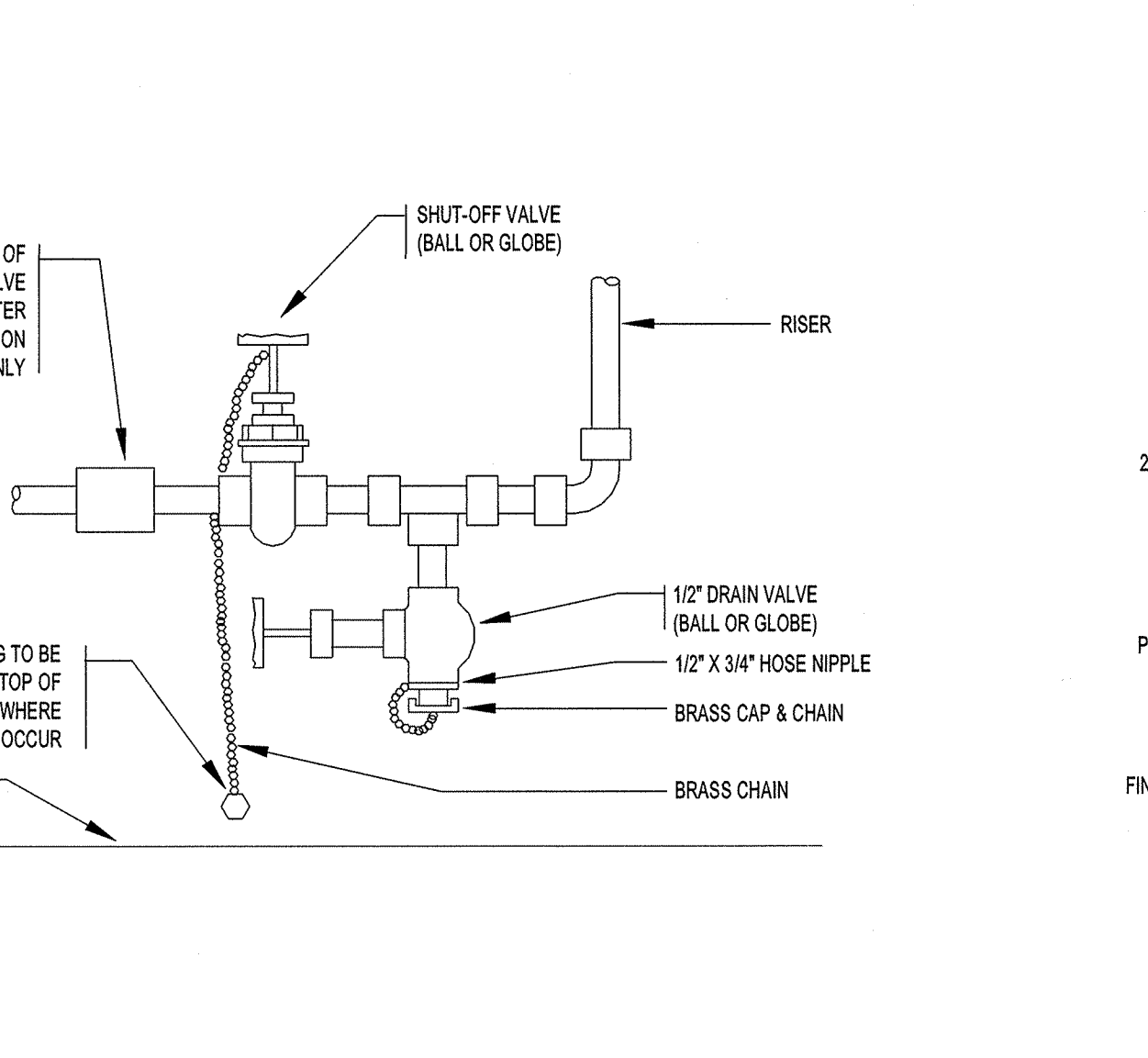


7 PIPE PENETRATION WITHOUT INSULATION
SCALE: N.T.S.

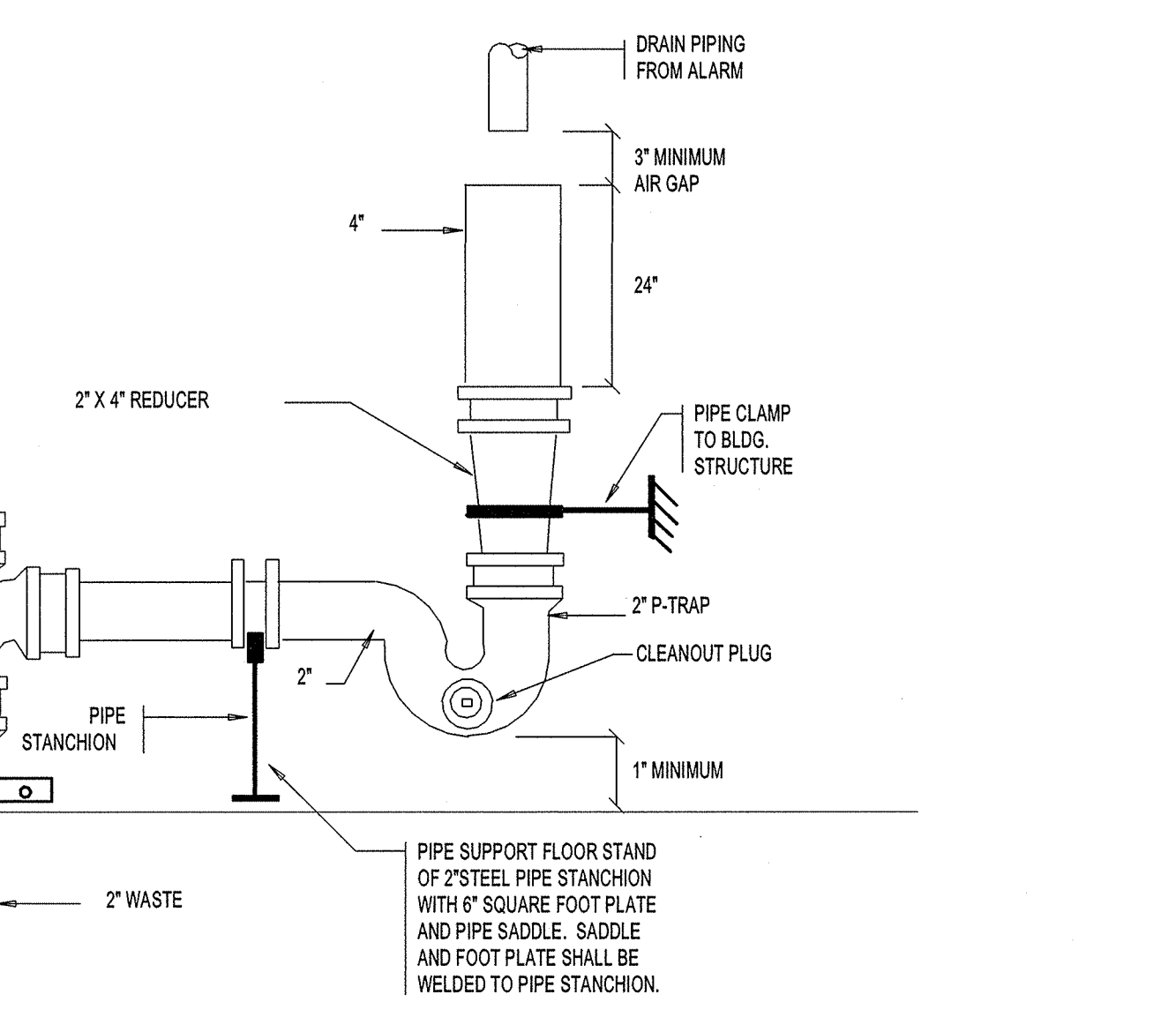


8 TYPICAL FIRE RATED PIPE SLAB PENETRATION
SCALE: N.T.S.

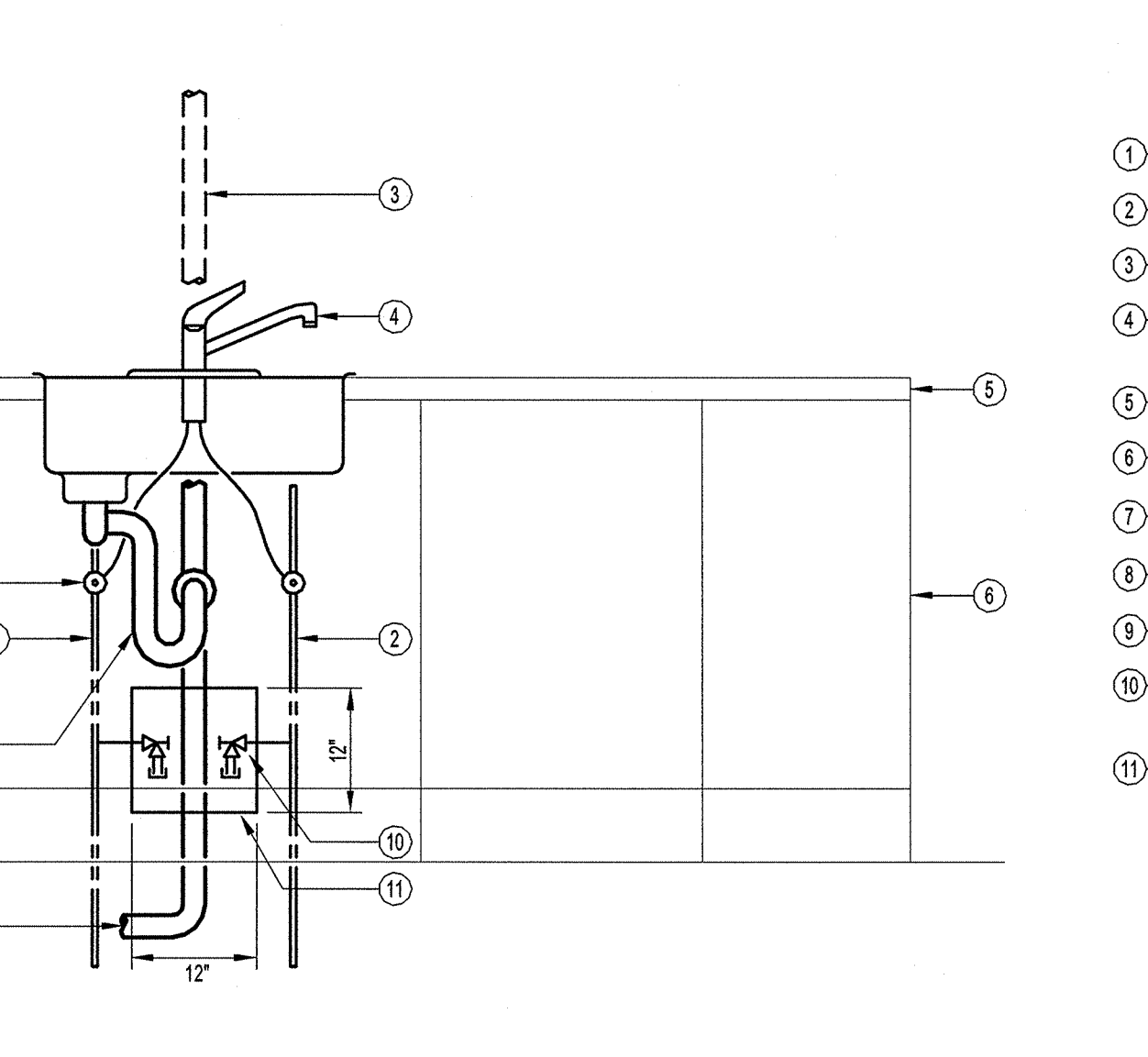
NOTE:
1. FIRESTOP SEALANTS AND PIPING PENETRATIONS THROUGH FIRE RATED ASSEMBLIES SHALL COMPLY WITH THE UL FIRE RESISTANCE DIRECTORY.



9 RISER CONTROL AND DRAIN VALVE
SCALE: N.T.S.



10 OPEN END DRAIN DETAIL
SCALE: N.T.S.



11 PATIENT ROOM SINK
SCALE: N.T.S.

- KEY NOTES:
- ① HW RISE FROM FLOOR BELOW
 - ② CW RISE FROM FLOOR BELOW
 - ③ W/V RISE IN WALL
 - ④ SINK AND FAUCET. REFER TO SCHEDULES FOR MANUFACTURER AND MODEL
 - ⑤ COUNTERTOP
 - ⑥ BASE CABINET
 - ⑦ 1/4" STOPS
 - ⑧ 1/2" P-TRAP
 - ⑨ 2" WASTE
 - ⑩ DIALYSIS VALVES IN WALL BELOW SINK 1/2" HOT AND COLD WATER.
 - ⑪ 12" X 12" ACCESS PANEL AT DIALYSIS VALVES.



Revisions

Sheet Information	
Date	MAY 1, 2015
Job Number	B140185-000
Drawn	DC
Checked	JR
Approved	JR
Title	

PLUMBING DETAILS