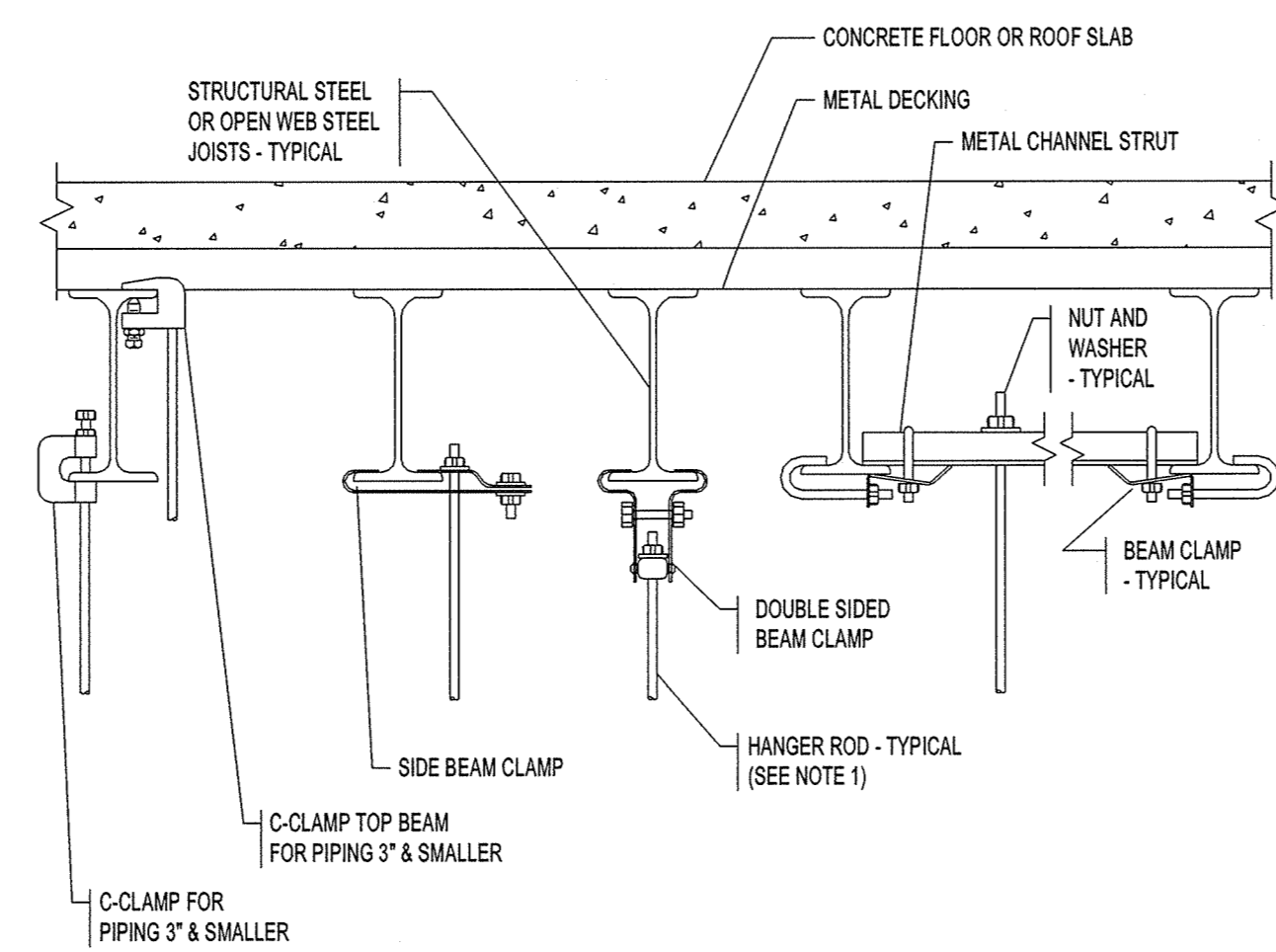


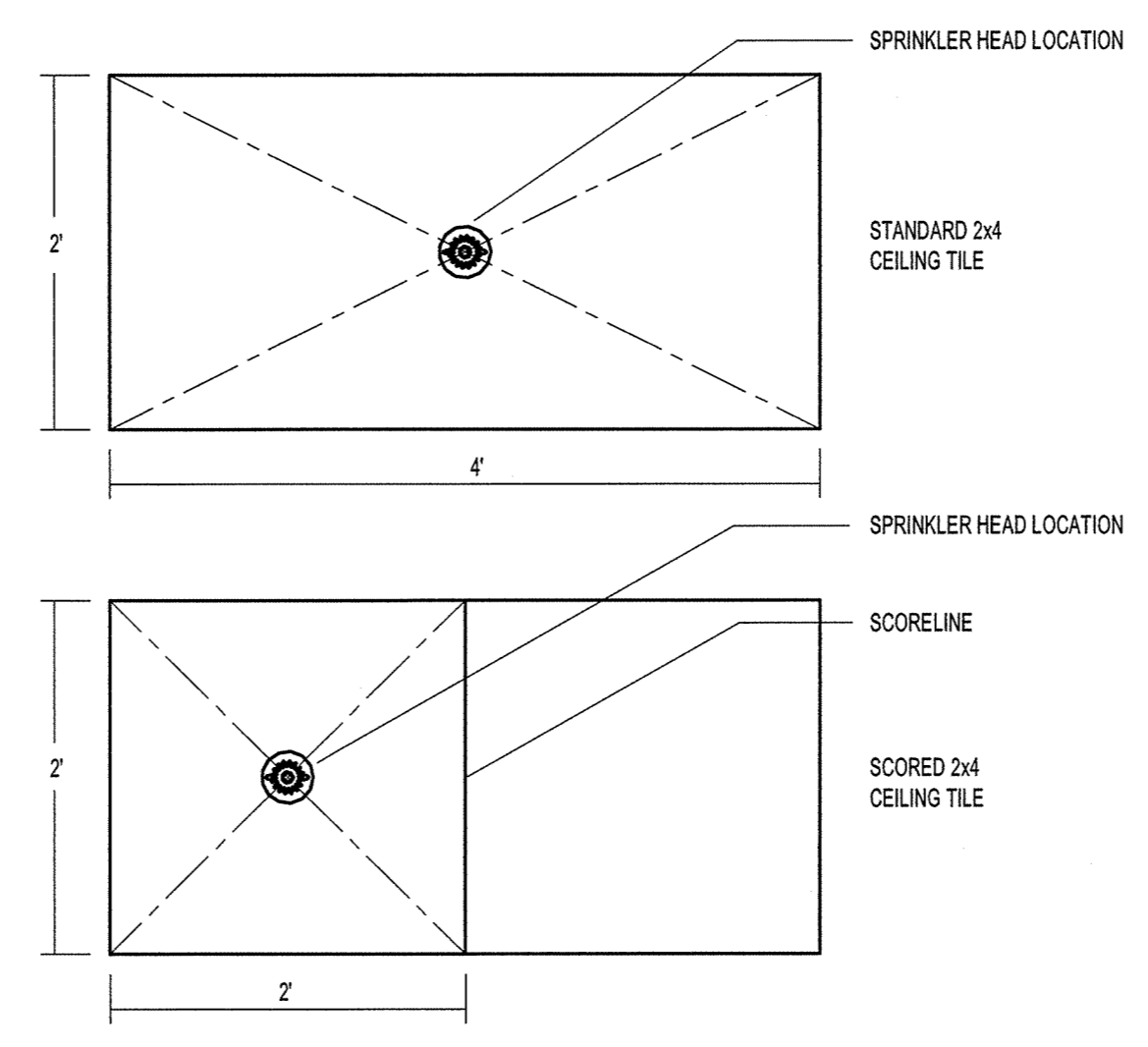
HANGER ROD SCHEDULE		HANGER ROD SPACING	
PIPE SIZE	ROD SIZE	PIPE SIZE	MAX. ALLOWABLE SPACING
UP TO 2"	3/8" DIA.	1"	7'
2 1/2" THRU 3"	1/2" DIA.	1 1/4"	8'
4" AND 5"	5/8"	1 1/2"	9'
6" THRU 8"	3/4"	2"	10'
10"	7/8"	2 1/2"	11'
		3" THRU 6"	12'
		10" & 12"	15'

1 PIPE HANGER INSTALLATION DETAIL
SCALE: N.T.S.

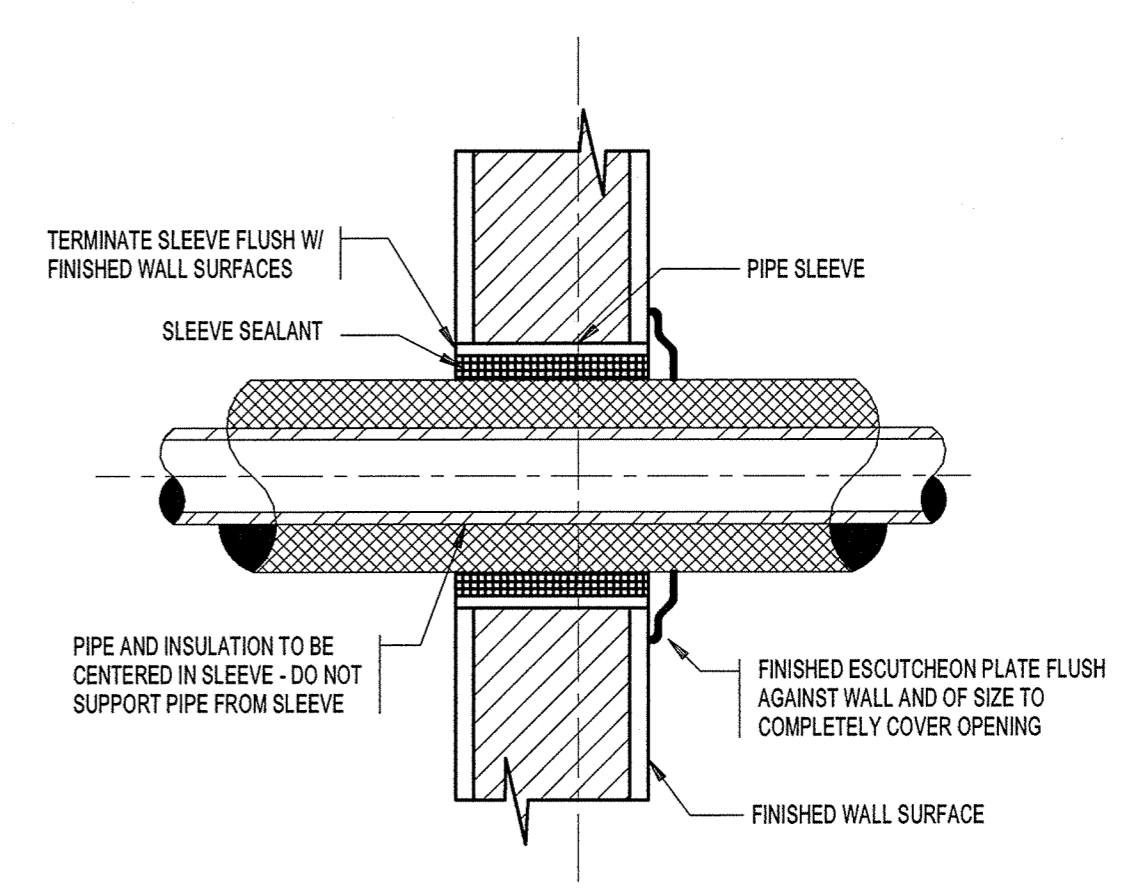


NOTE 1
REFER TO PIPE HANGER DETAIL FOR HANGER ROD SIZE. FOR CEILING SUSPENDED EQUIPMENT PROVIDE MIN. 3/8" DIA. HANGER ROD (REFER TO MANUFACTURERS INSTALLATION INSTRUCTIONS).

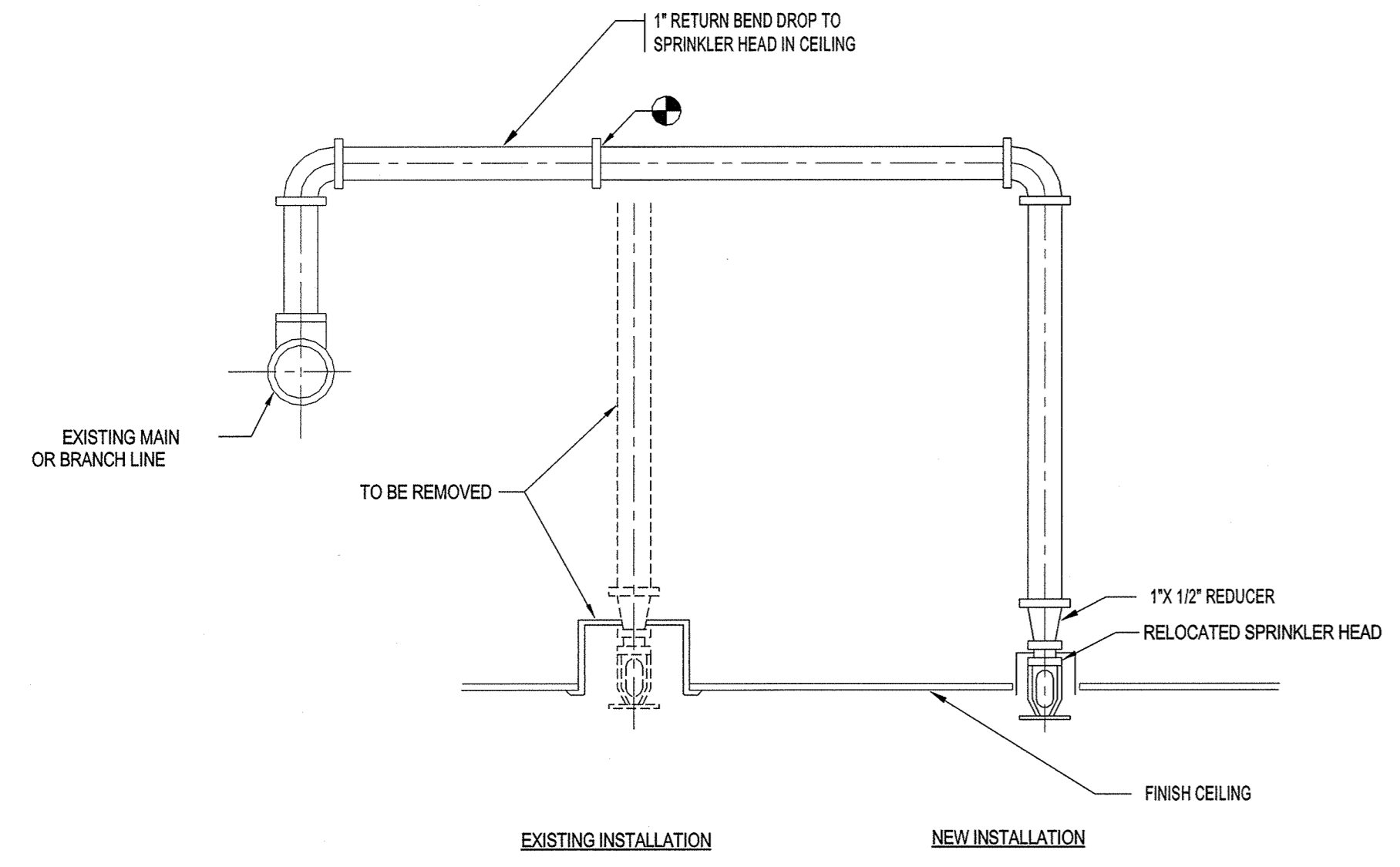
2 TYPICAL METHODS OF SECURING HANGER RODS TO STRUCTURAL STEEL DETAIL



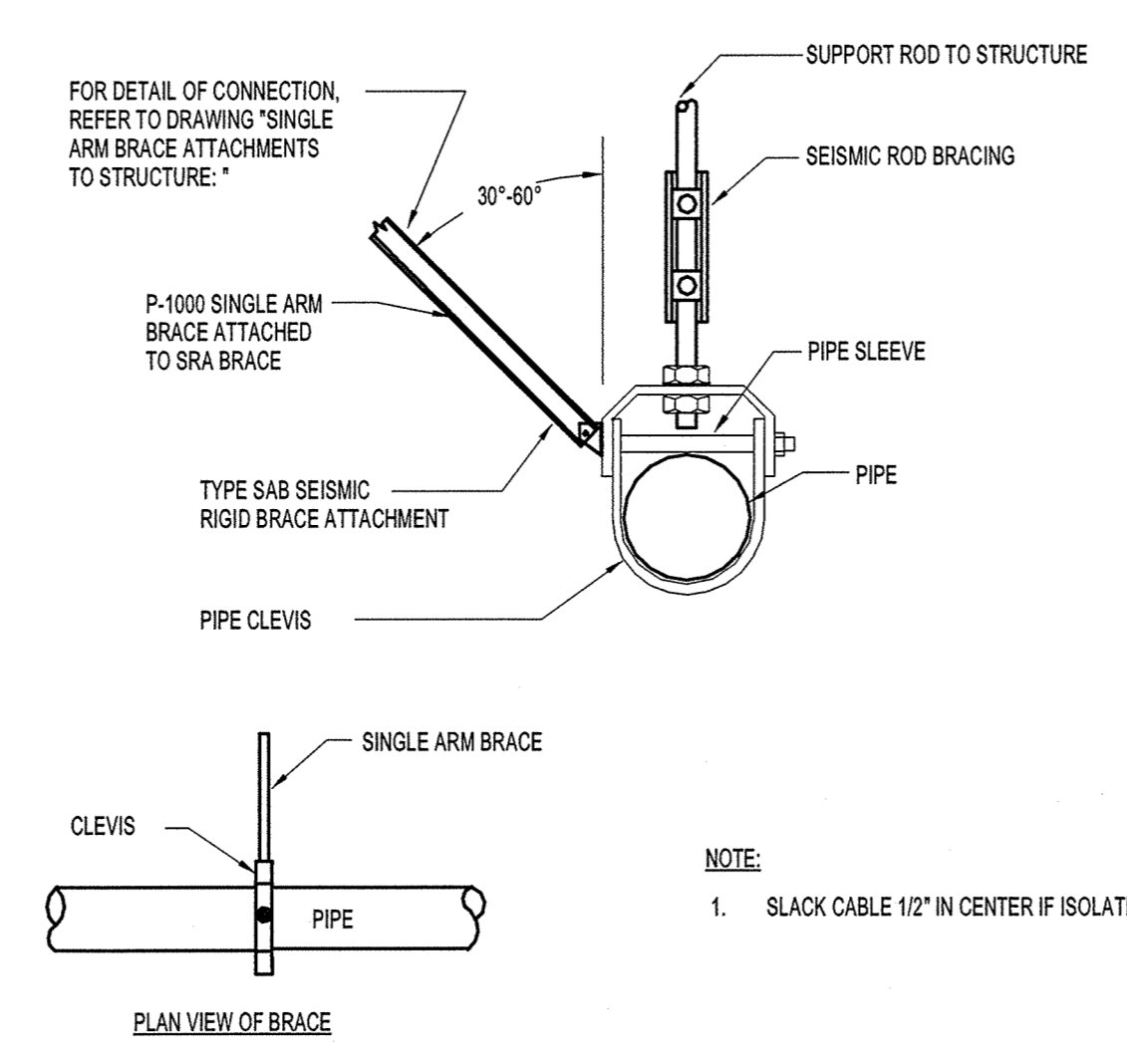
3 LOCATION OF SPRINKLER HEADS IN CEILING PANELS
SCALE: N.T.S.



4 PIPE SLEEVE THRU INTERIOR WALL
SCALE: N.T.S.

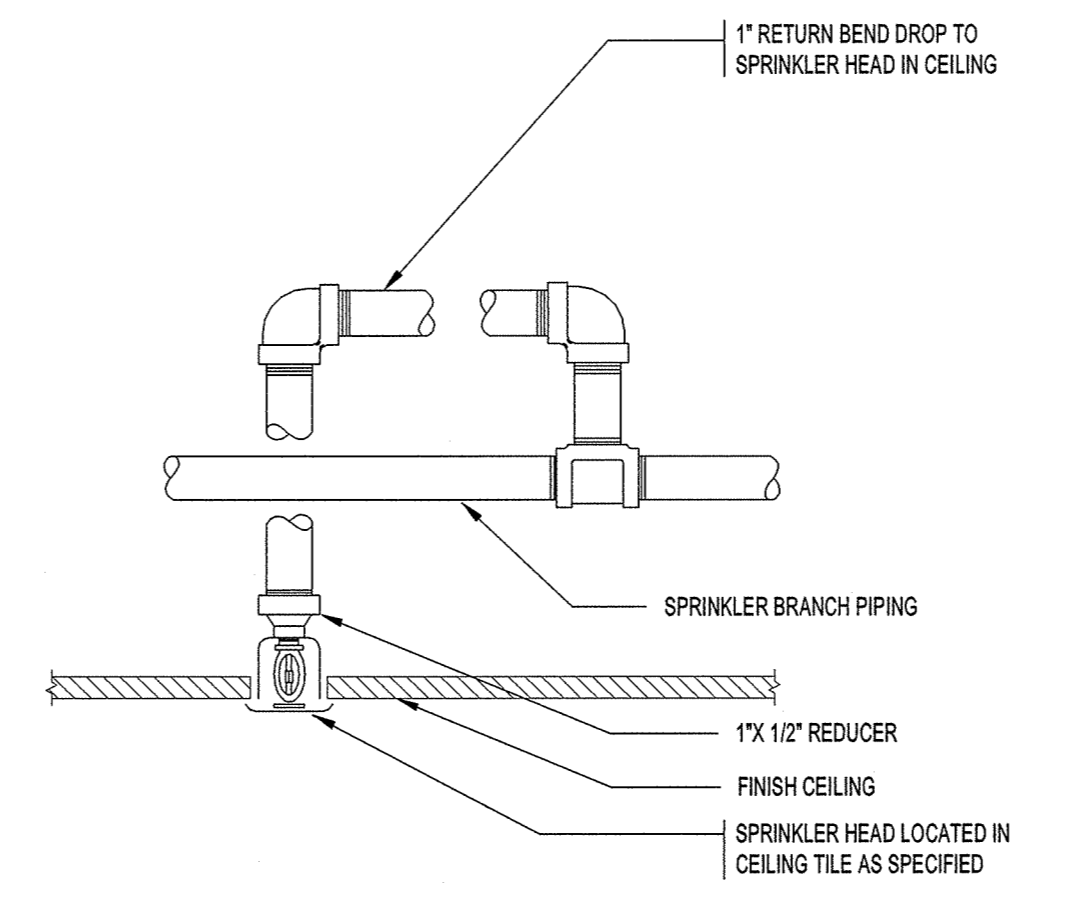


5 TYPICAL SPRINKLER HEAD RELOCATION
SCALE: N.T.S.



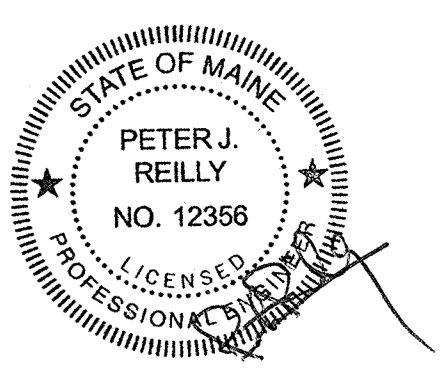
NOTE:
1. SLACK CABLE 1/2" IN CENTER IF ISOLATED.

6 TRANSVERSE ARM BRACE FOR CLEVIS HUNG PIPING



NOTE:
SPRINKLER HEAD COVER PLATE SHALL MATCH COLOR & FINISH OF FINISHED CEILING SPACE (COORDINATE COLORS & FINISHES WITH MANUFACTURER AND ARCHITECT)

7 TYPICAL CONCEALED SPRINKLER HEAD RETURN BEND DROP



Revisions

NO.	ISSUE	DATE

Sheet Information

Date: MAY 1, 2015
Job Number: B140185-000
Drawn: DC
Checked: JR
Approved: JR

Title: _____

FIRE PROTECTION DETAILS