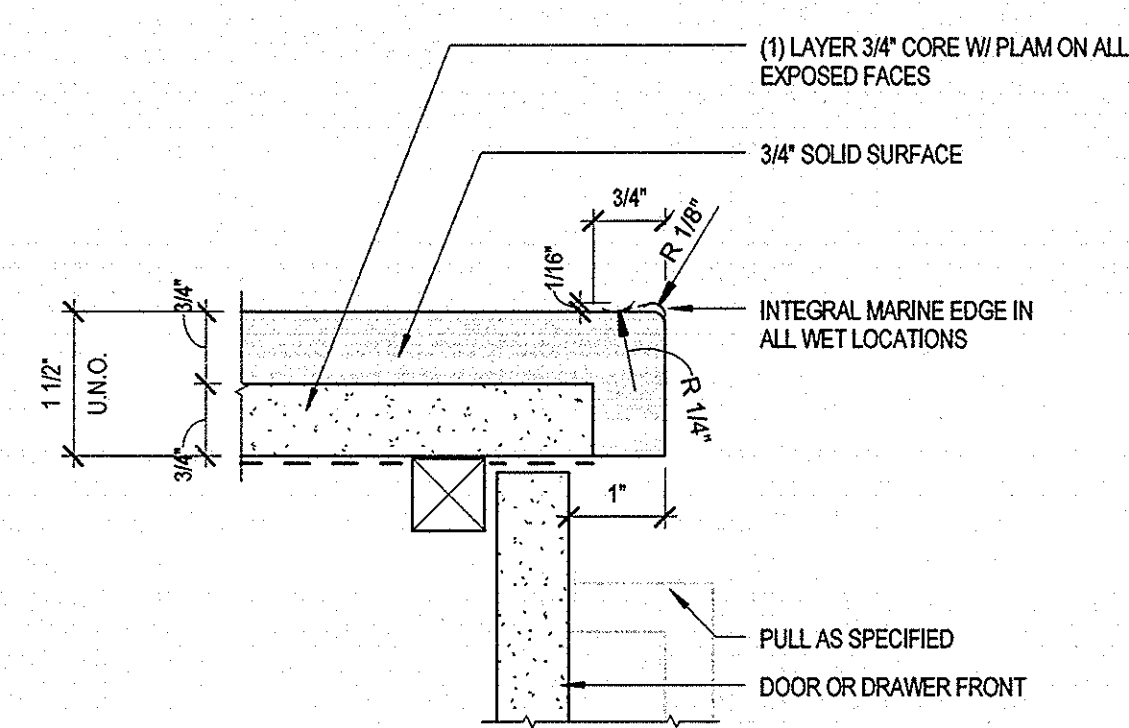
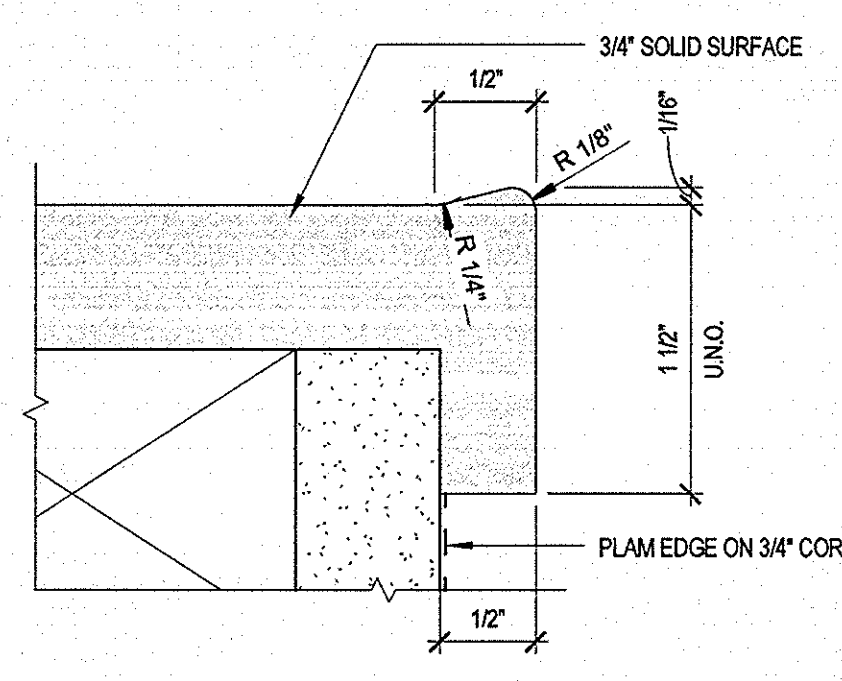


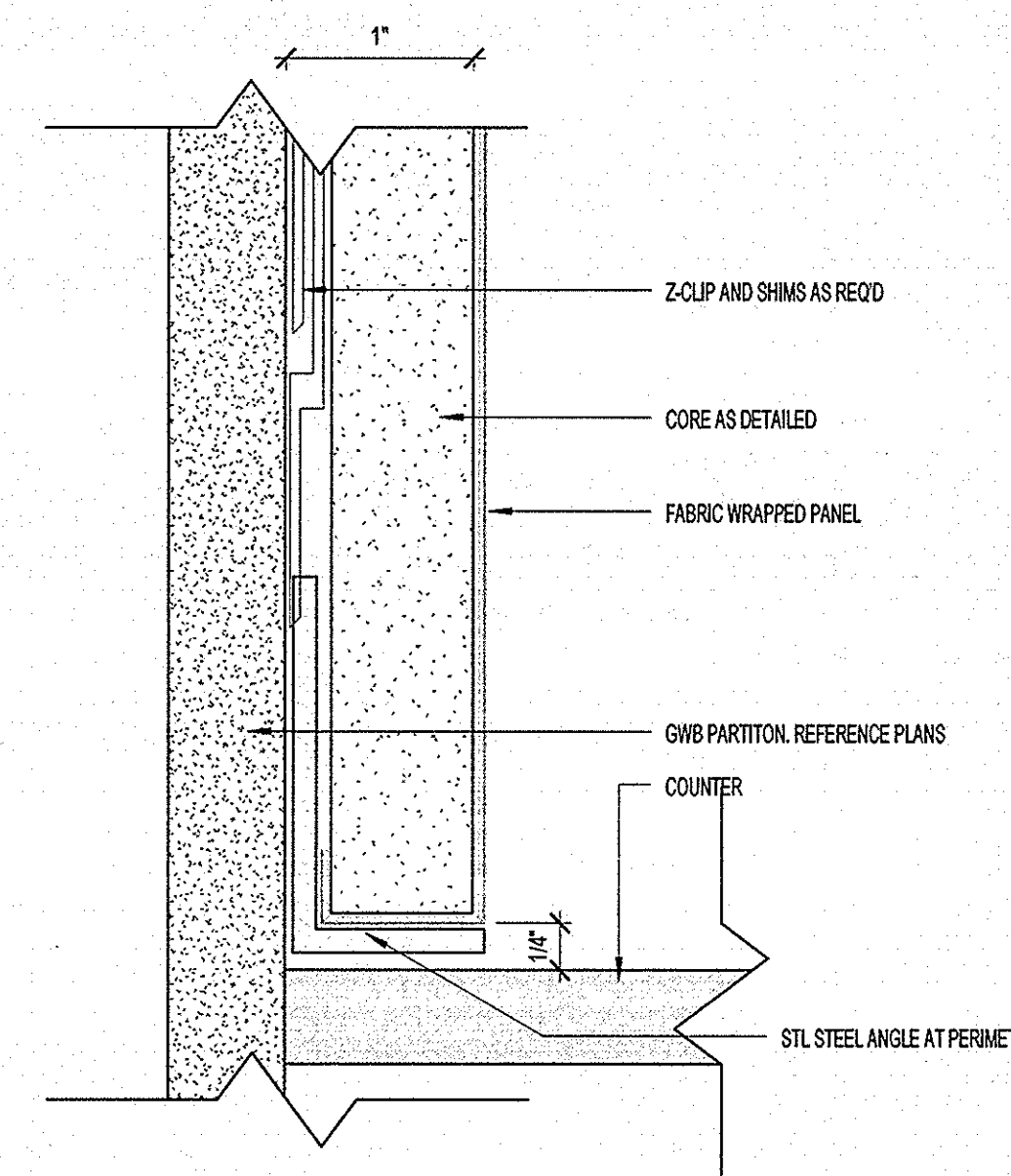
C5 CORIAN SIDE PANEL @ TOEKICK
1 1/2" = 1'-0"



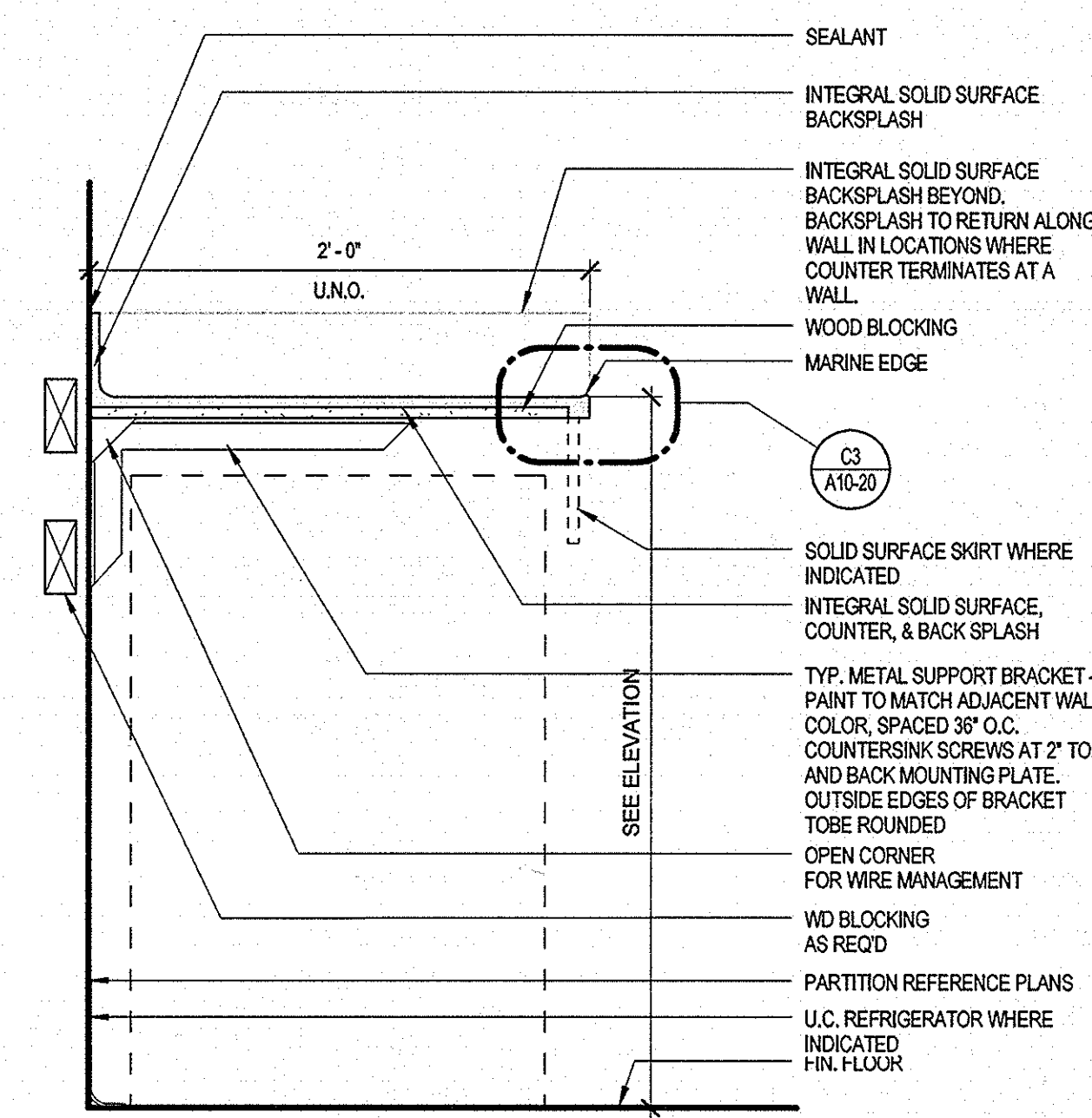
C4 COUNTER EDGE DETAIL - SOLID SURFACE
6" = 1'-0"



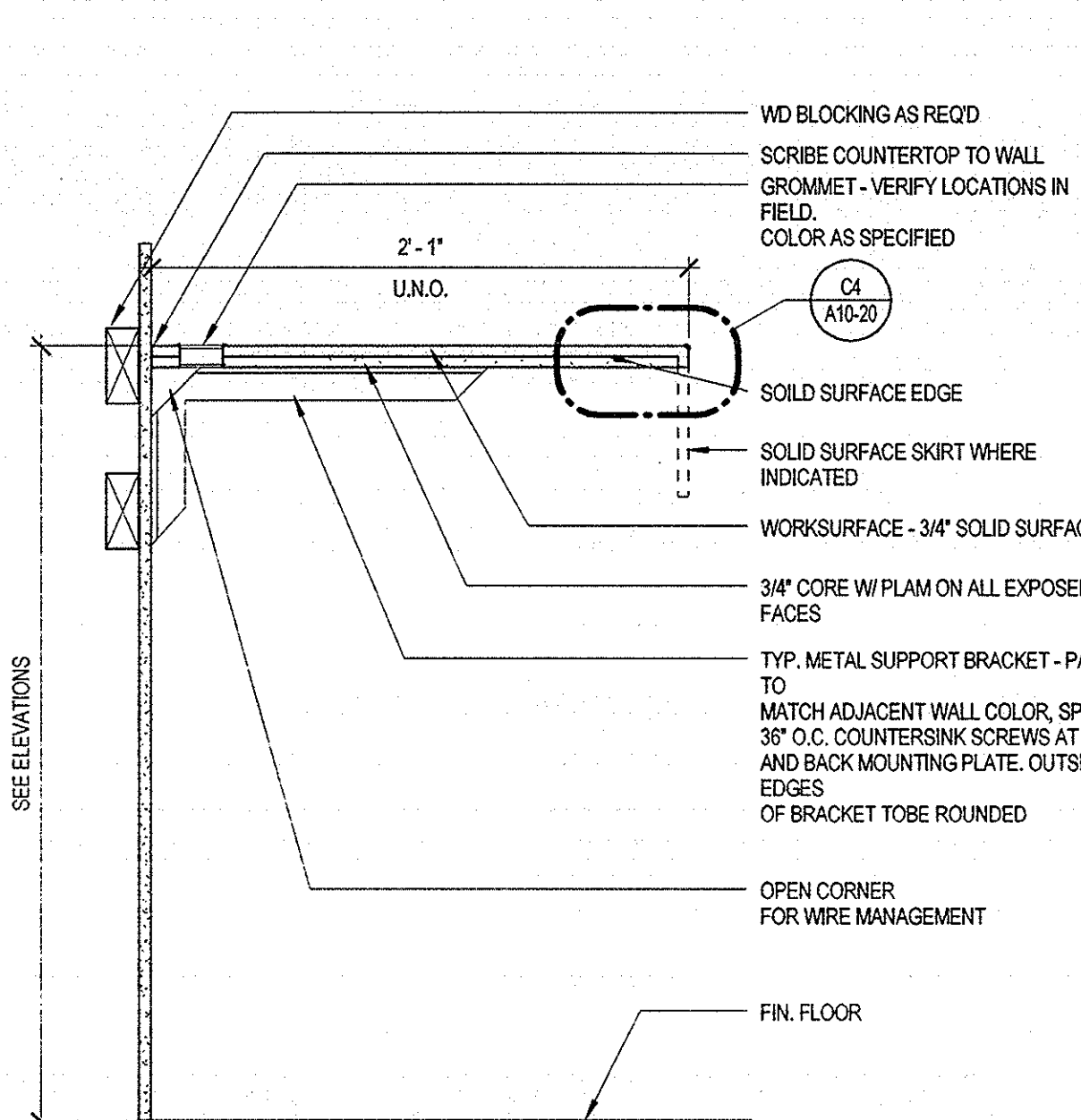
C3 SOLID SURFACE MARINE EDGE
12" = 1'-0"



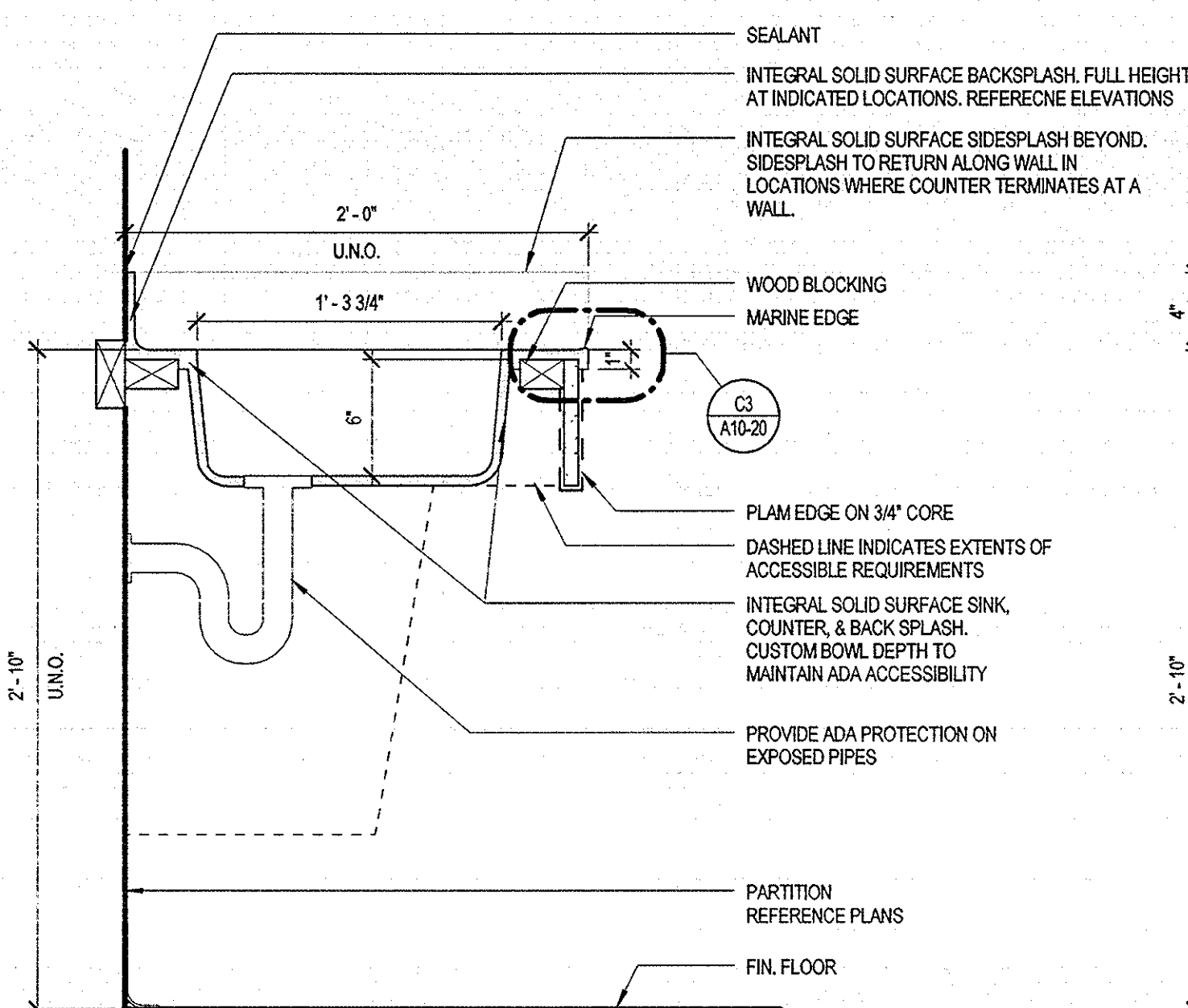
C2 TYP. FABRIC WRAPPED PANEL
12" = 1'-0"



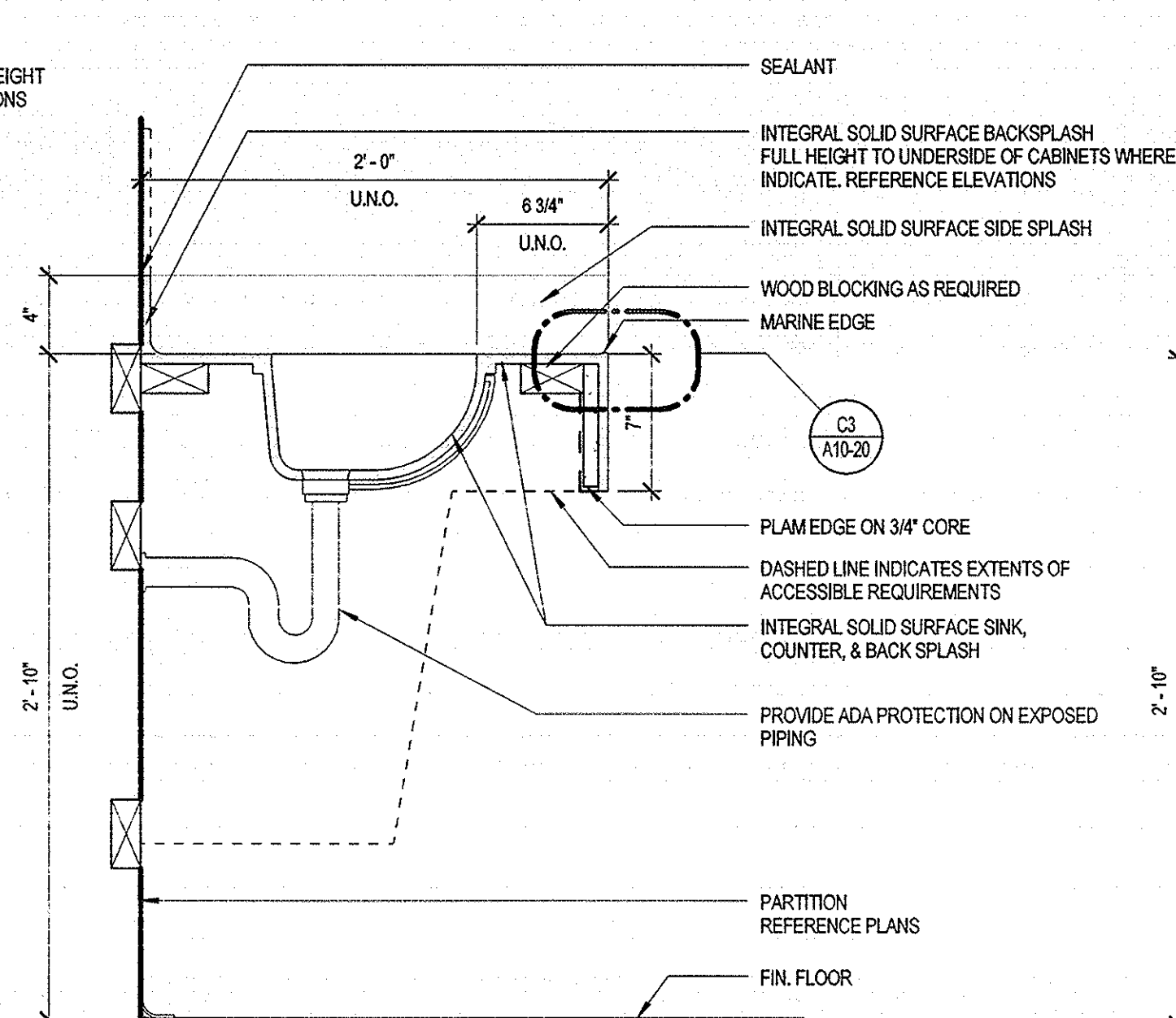
C1 COUNTER@WET LOCATION-NO BASE CABINET
1 1/2" = 1'-0"



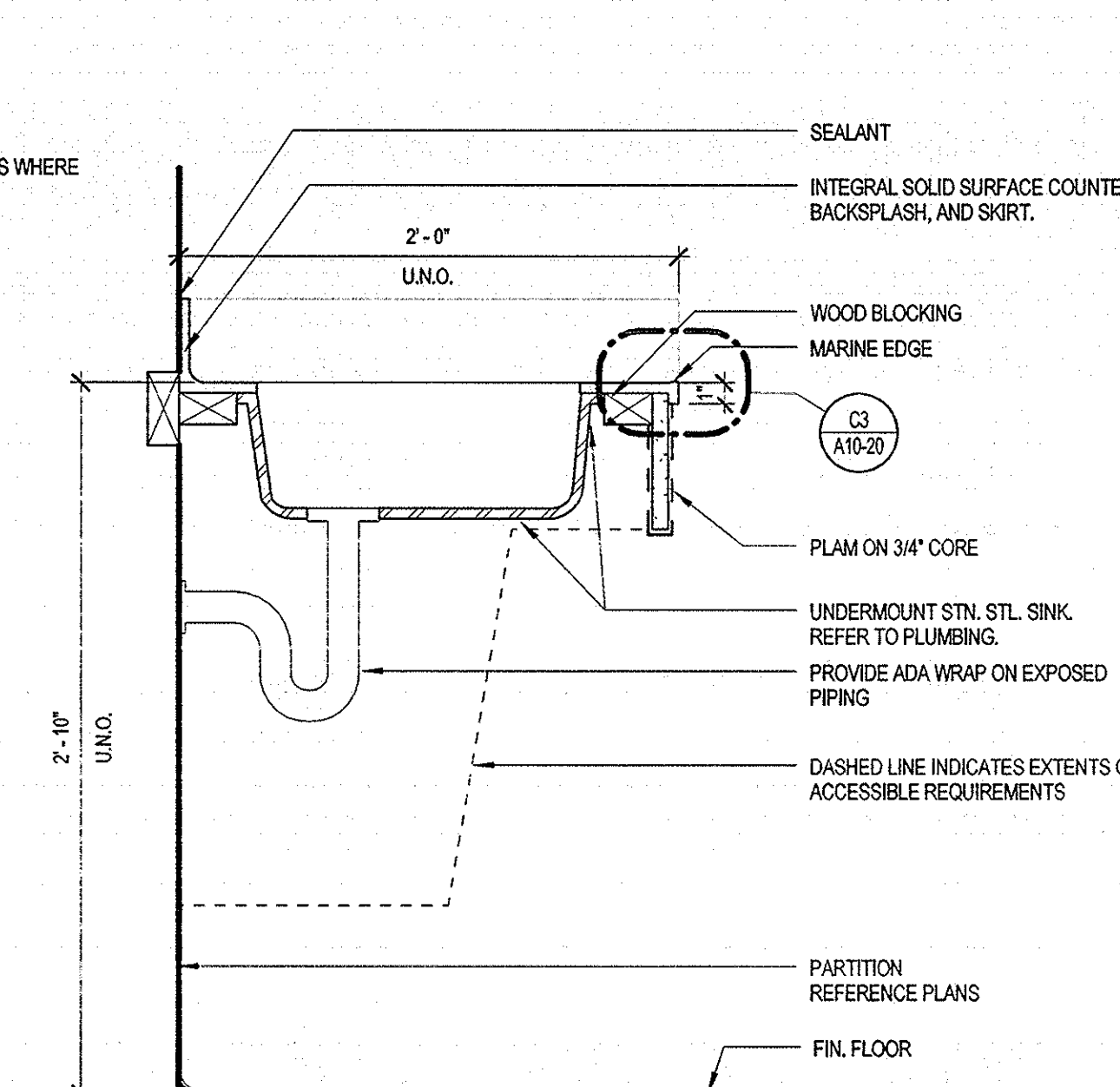
B5 COUNTER - SOLID SURFACE
1 1/2" = 1'-0"



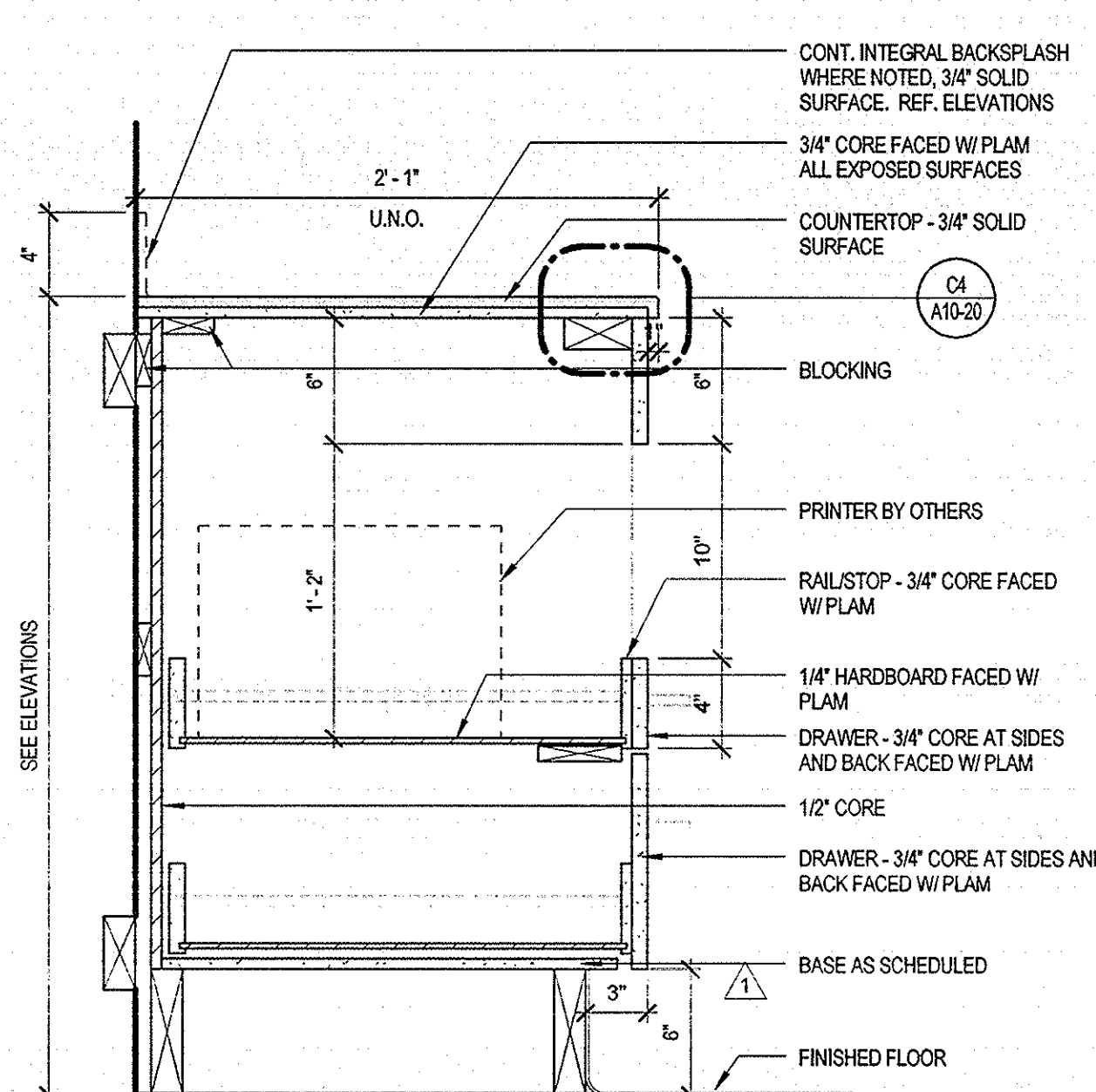
B4 COUNTER W/ INTEGRAL SINK - RECTANGLE
1 1/2" = 1'-0"



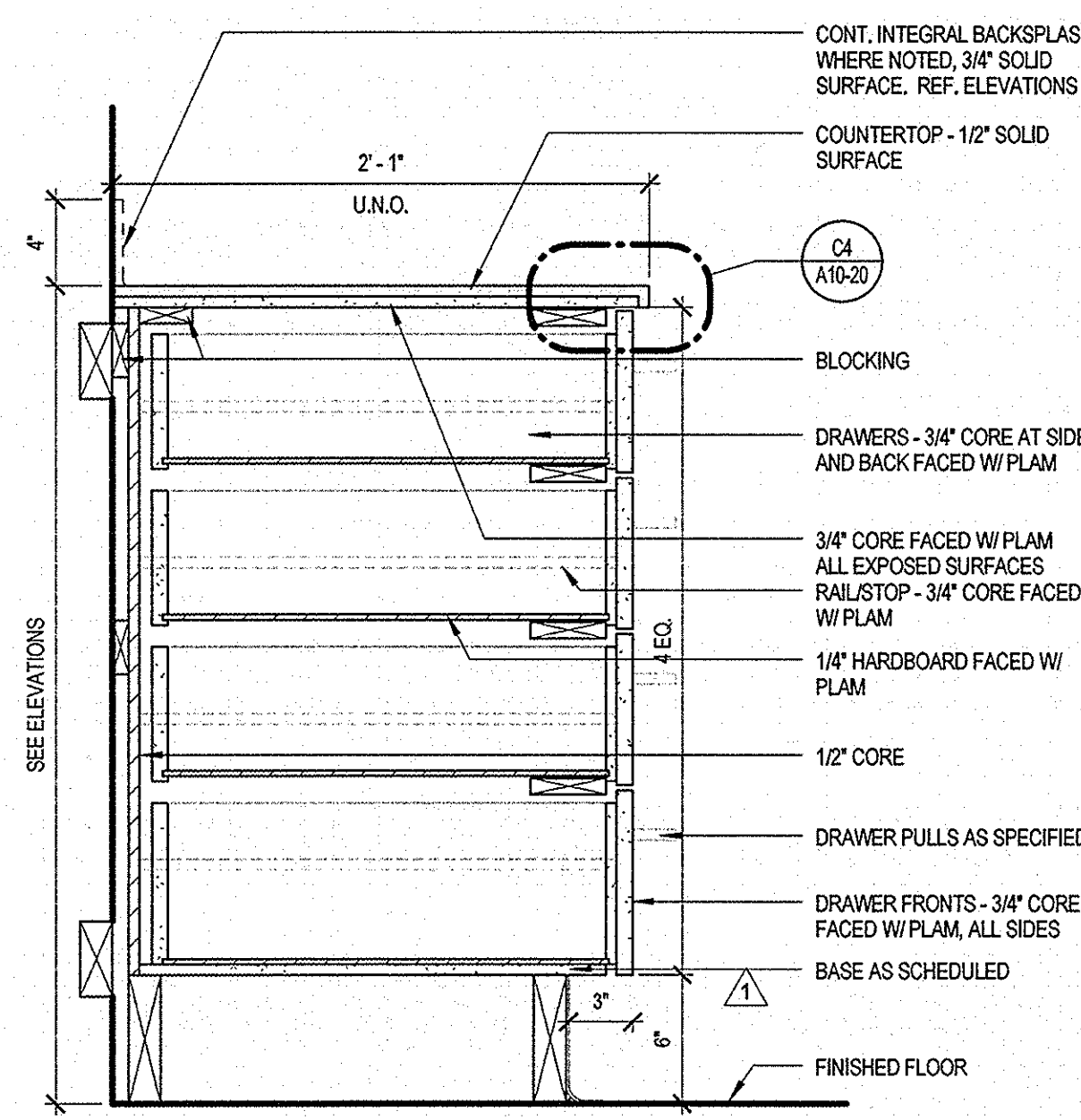
B3 COUNTER W/ INTEGRAL SINK - ROUND
1 1/2" = 1'-0"



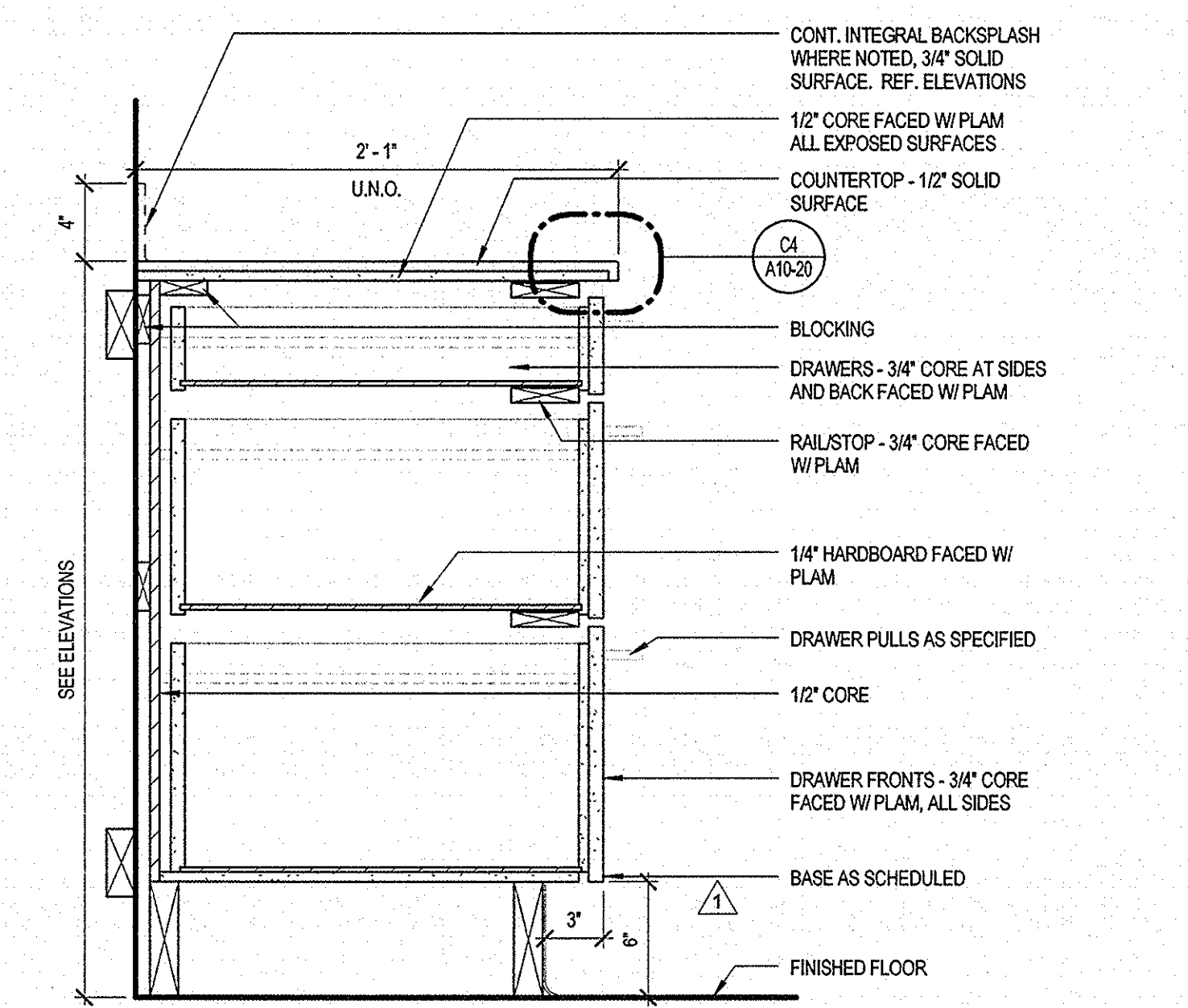
B2 COUNTER W/ UNDERMOUNT SINK
1 1/2" = 1'-0"



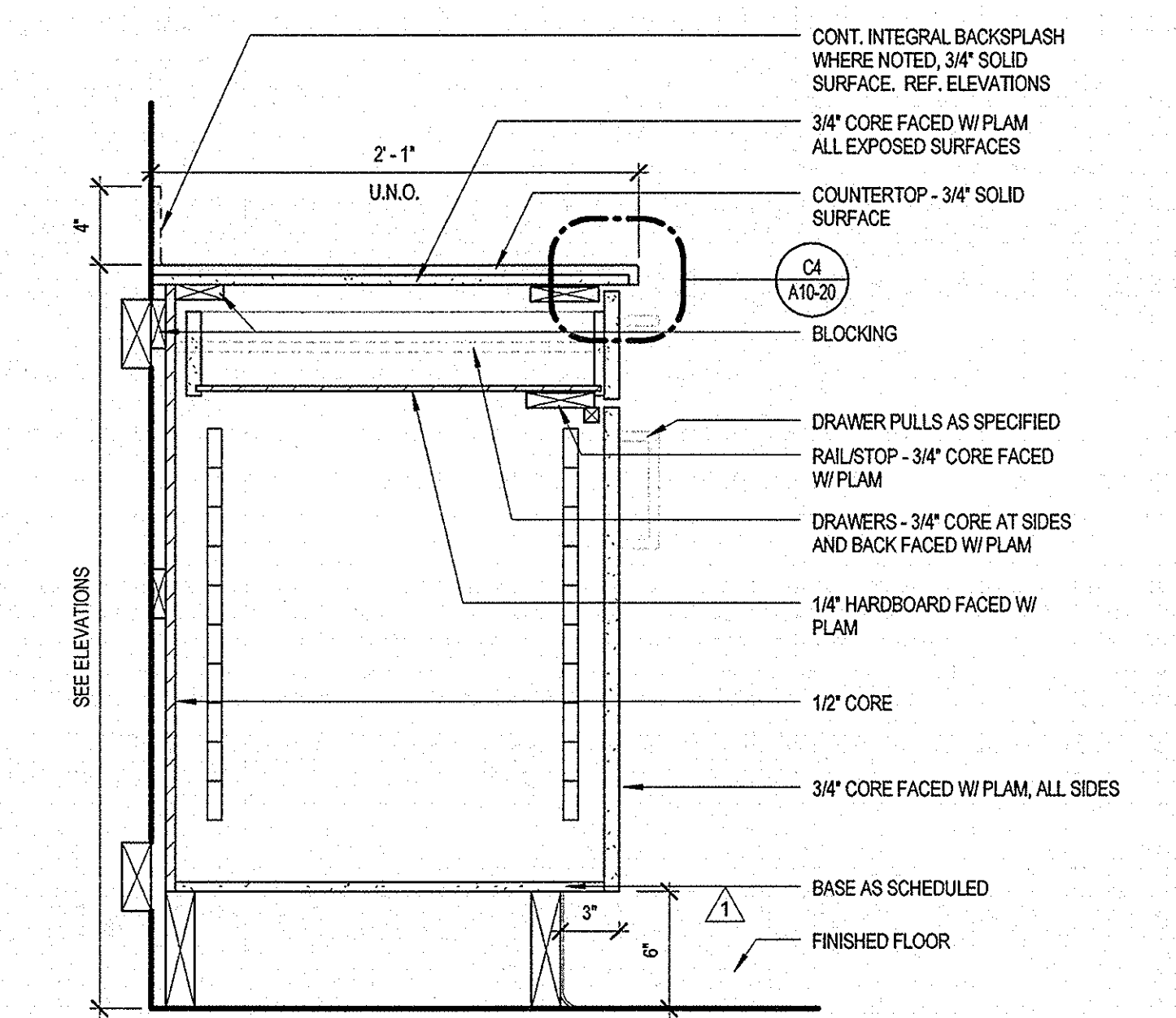
B1 BASE CAB. W/ PRINTER DRAWER
1 1/2" = 1'-0"



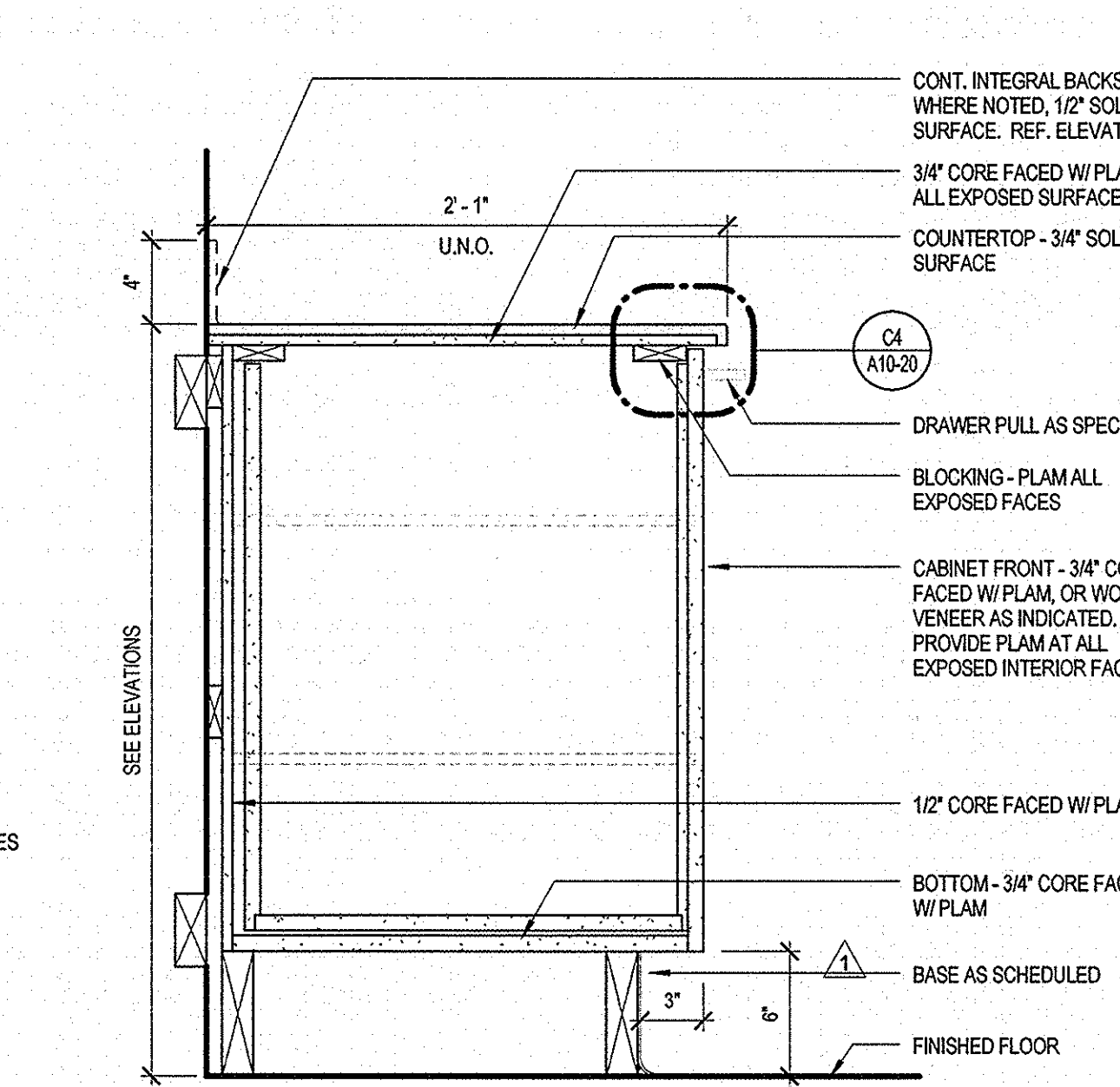
A5 BASE CABINET W/4 DRAWER-SOLID SURFACE
1 1/2" = 1'-0"



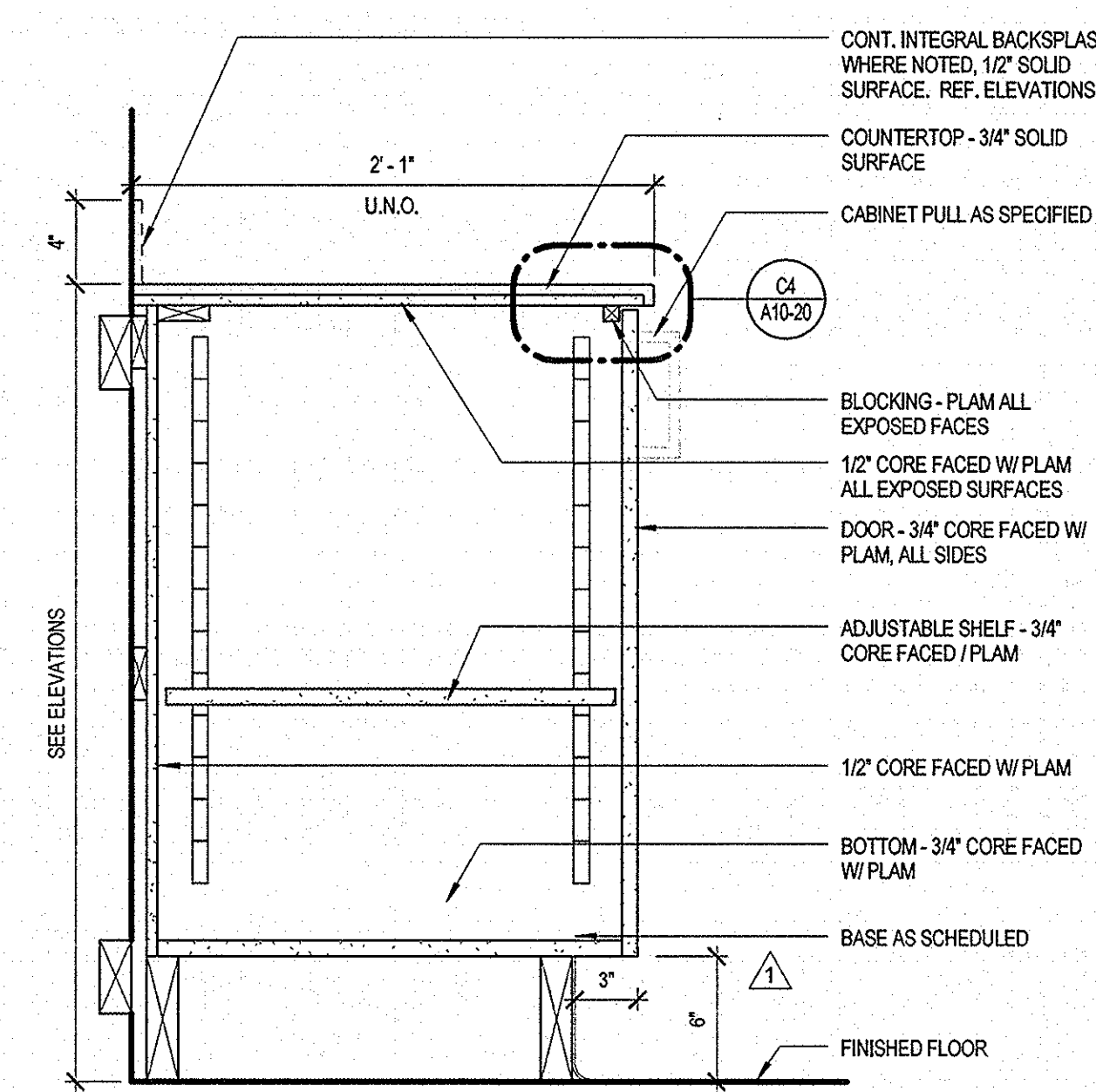
A4 BASE CABINET W/FILE DRAWER-SOLID SURFACE
1 1/2" = 1'-0"



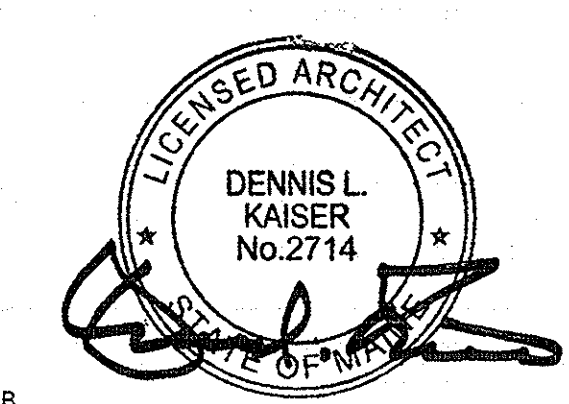
A3 BASE CABINET W/DRAWER-SOLID SURFACE
1 1/2" = 1'-0"



A2 TRASH CABINET - SOLID SURFACE
1 1/2" = 1'-0"



A1 BASE CABINET W/SHELF - SOLID SURFACE
1 1/2" = 1'-0"



Revisions

ISSUED FOR PERMIT	08/08/15
1 ADDENDUM NO. 1	05/22/16
NO. 1	DATE
Sheet Information	
Date	MAY 1, 2015
Job Number	152168.009
Drawn	Author
Checked	sc
Approved	Approver
Title	

**MILLWORK
DETAILS**

Sheet
A10-20