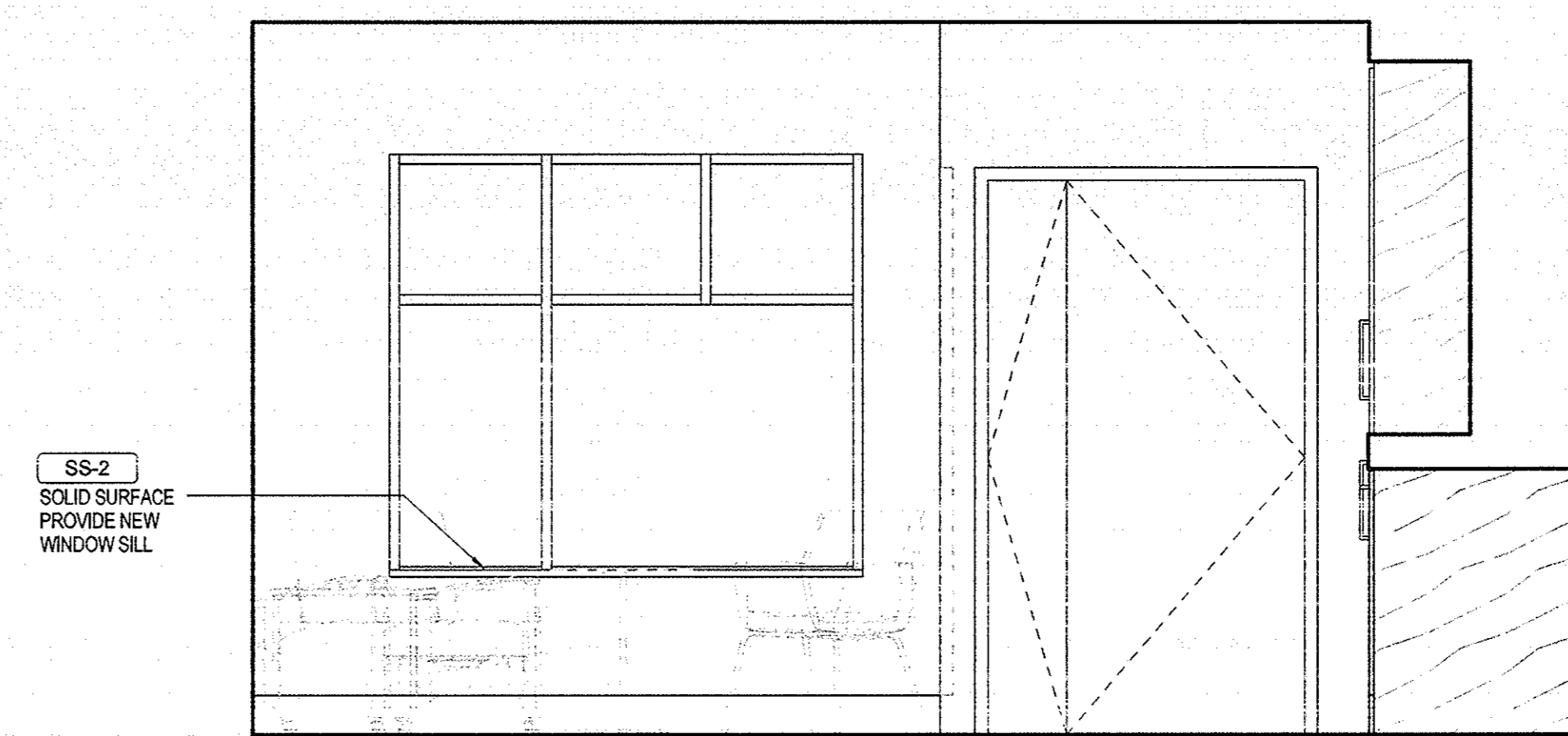
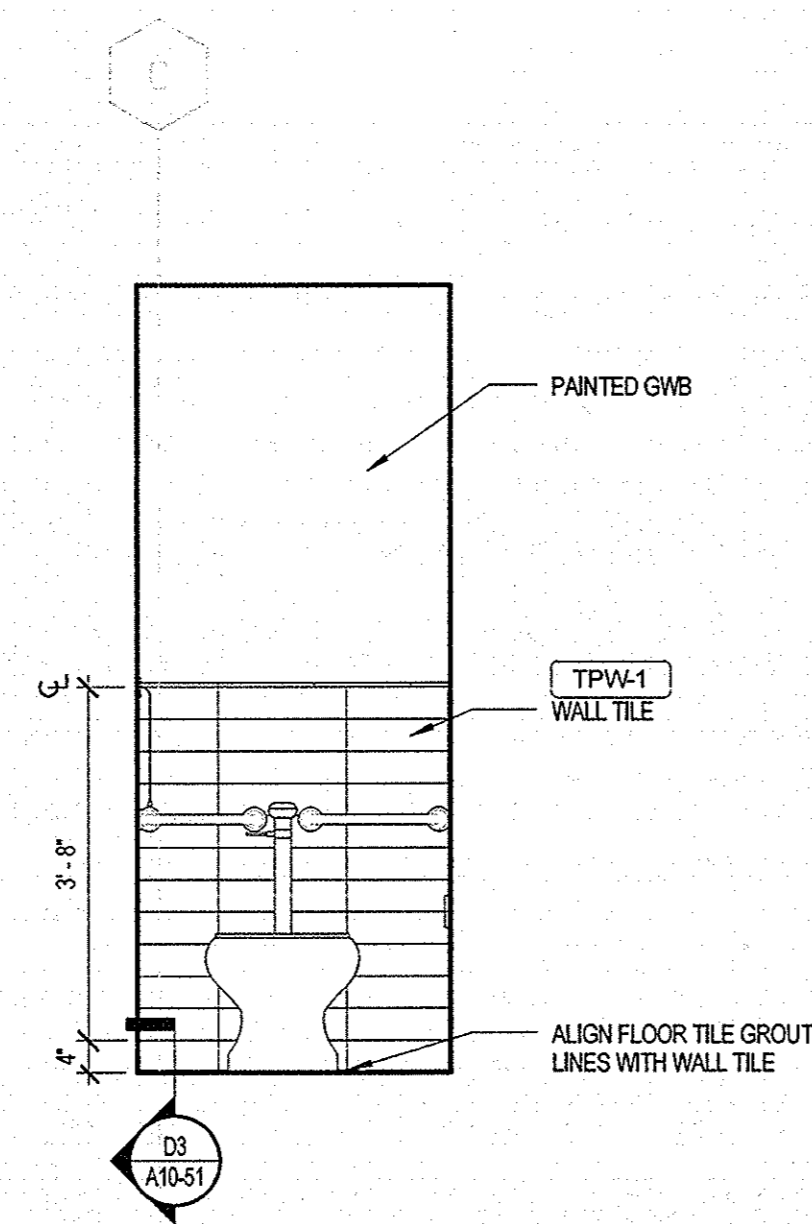


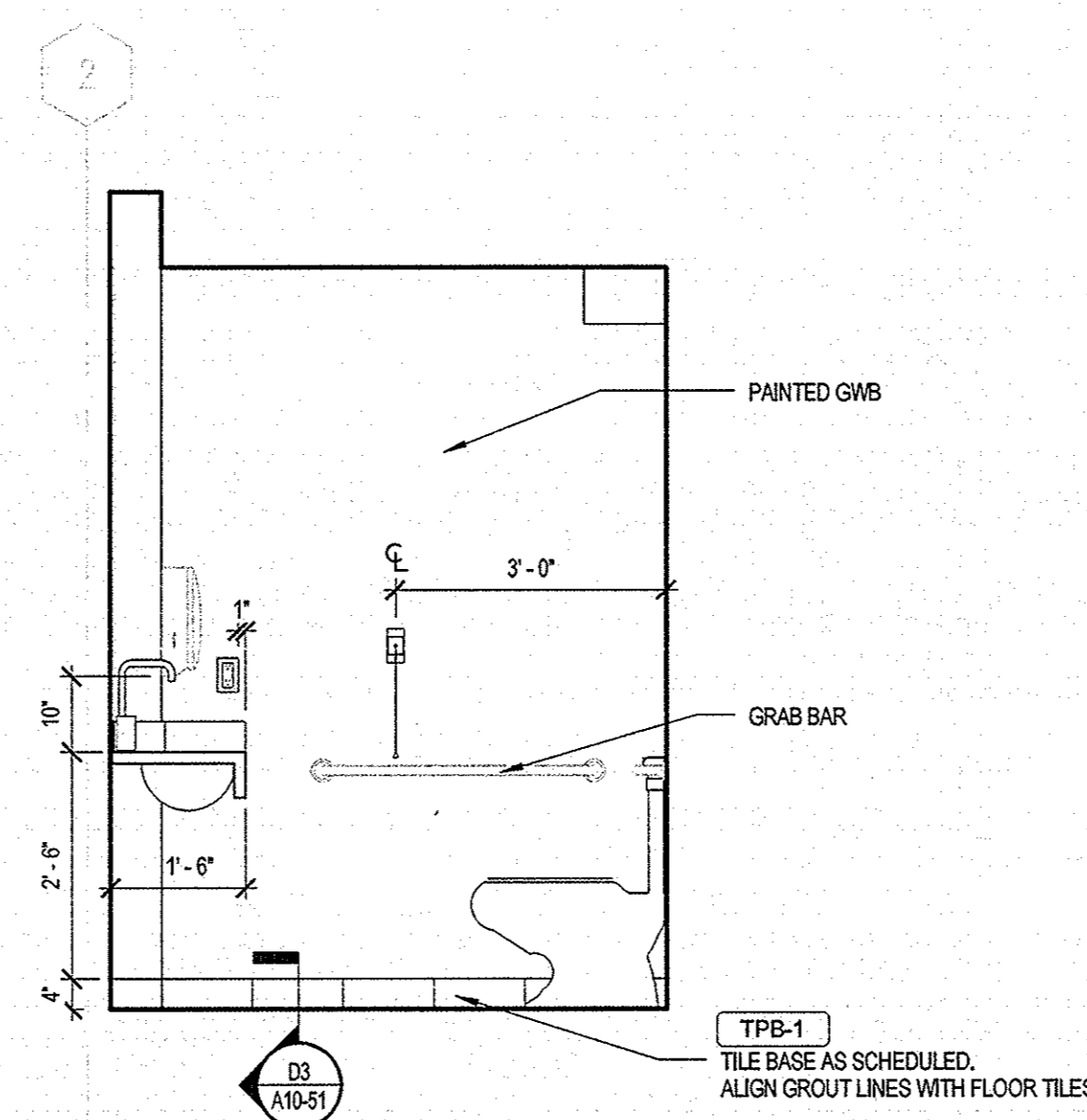
B4 PATIENT ROOM FOOTWALL AT WINDOW
1/2" = 1'-0"



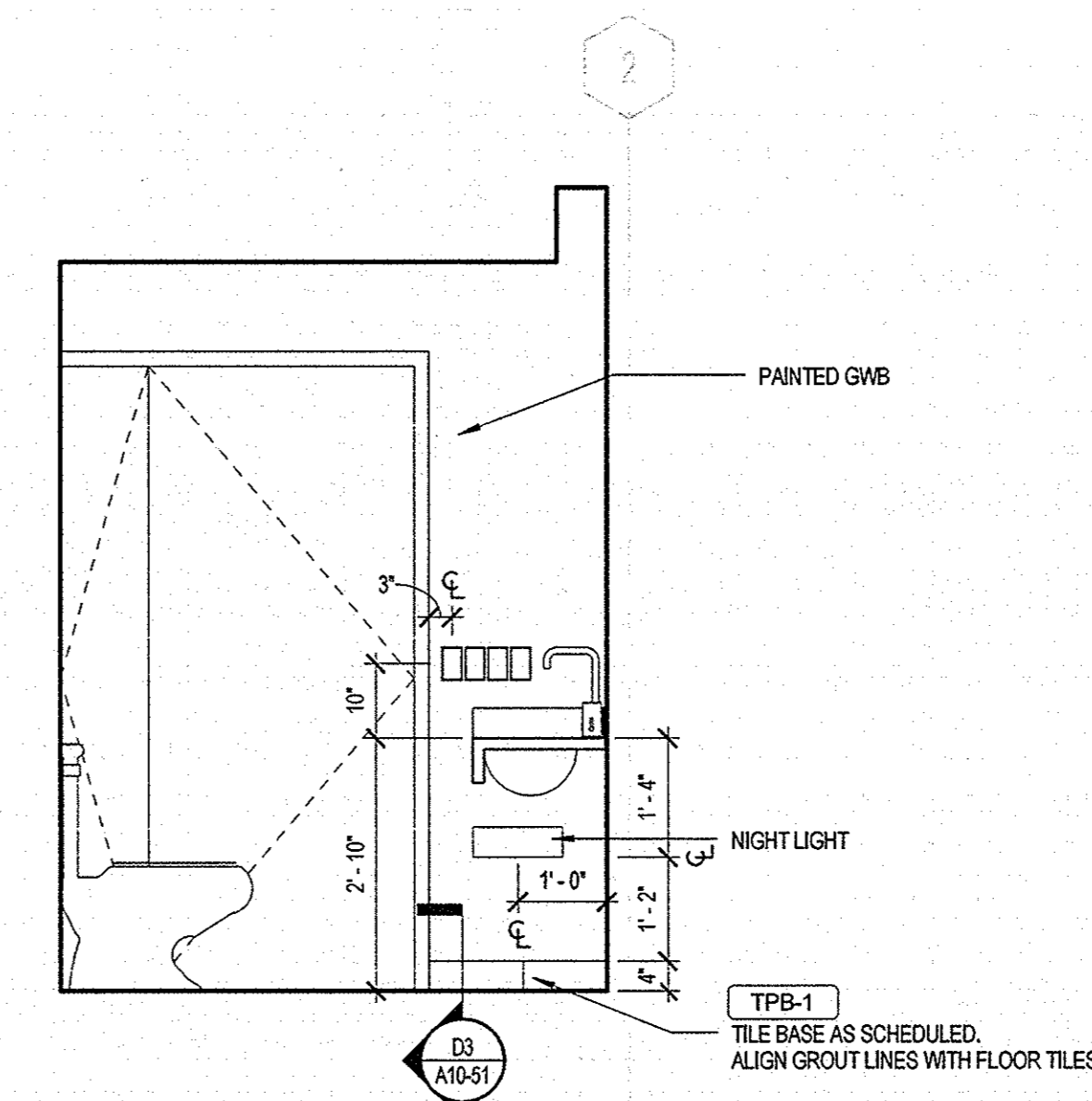
B2 PATIENT ROOM - NORTH
1/2" = 1'-0"



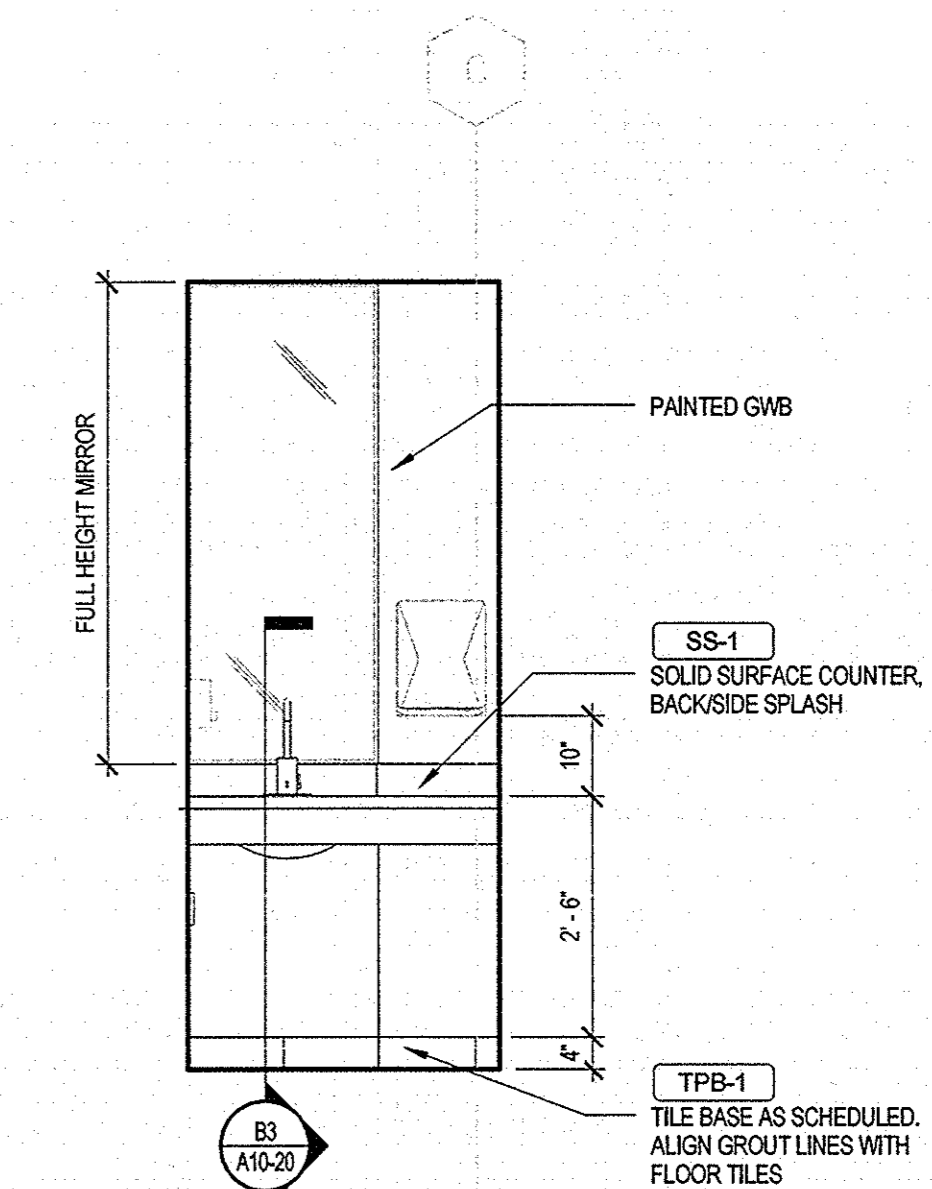
A4 PATIENT TOILET - WEST WALL
1/2" = 1'-0"



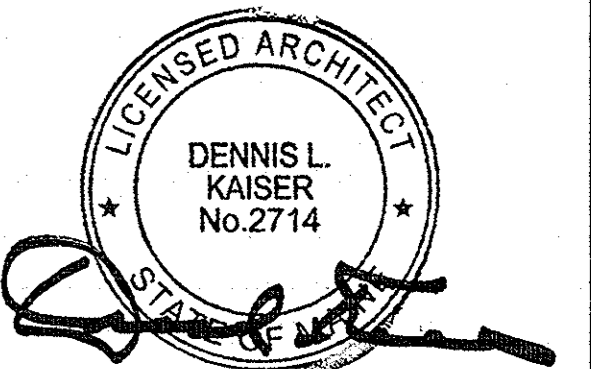
A3 PATIENT TOILET - SOUTH WALL
1/2" = 1'-0"



A2 PATIENT TOILET - NORTH WALL
1/2" = 1'-0"



A1 PATIENT TOILET - EAST WALL
1/2" = 1'-0"



Revisions

ISSUED FOR PERMIT	05/08/15
1	ADDENDUM NO. 1
NO	ISSUE DATE
Sheet Information	
Date	MAY 1, 2015
Job Number	152168.009
Drawn	Author
Checked	sc
Approved	Approver
Title	

**PATIENT ROOM
ENLARGED
ELEVATIONS**

Sheet
A10-02