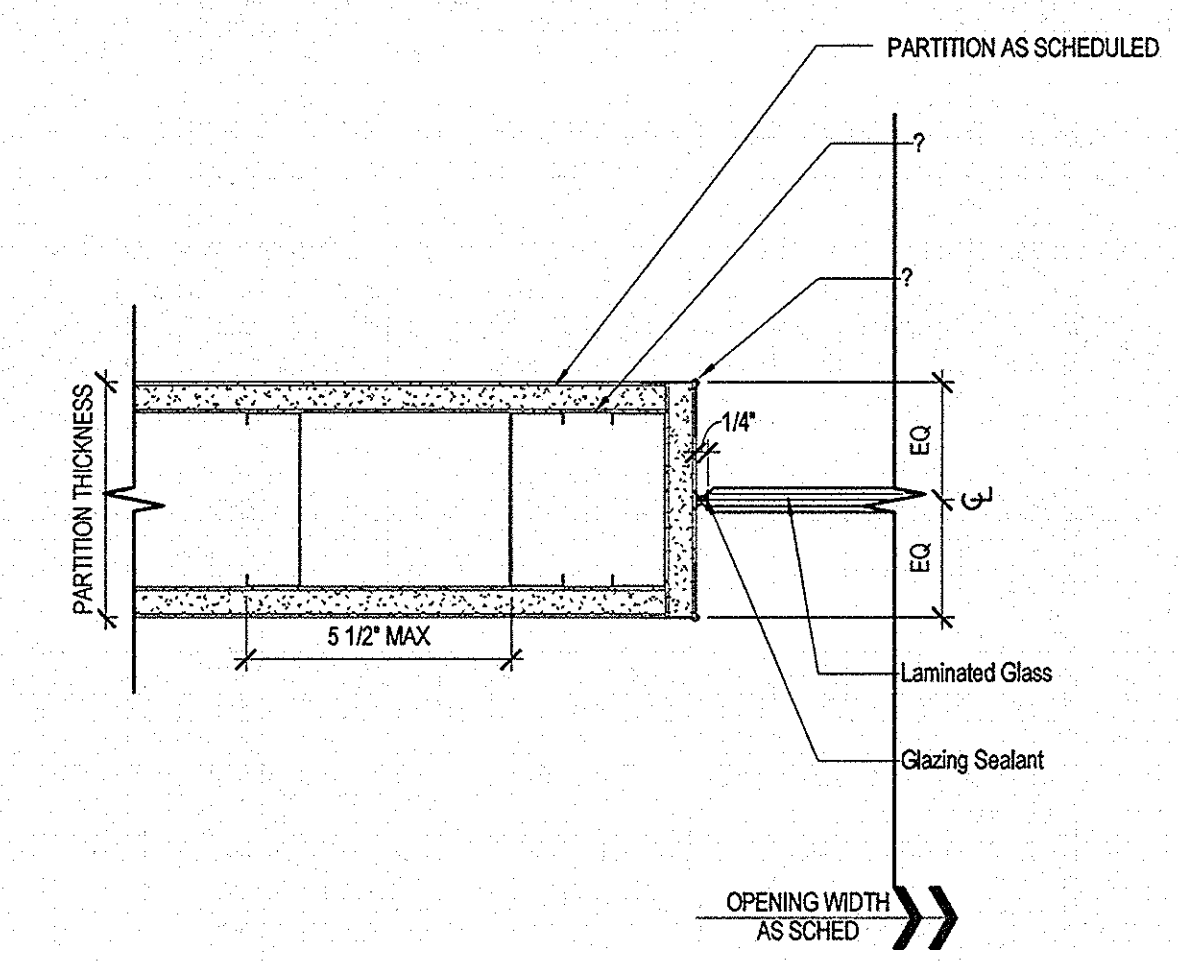


Revisions

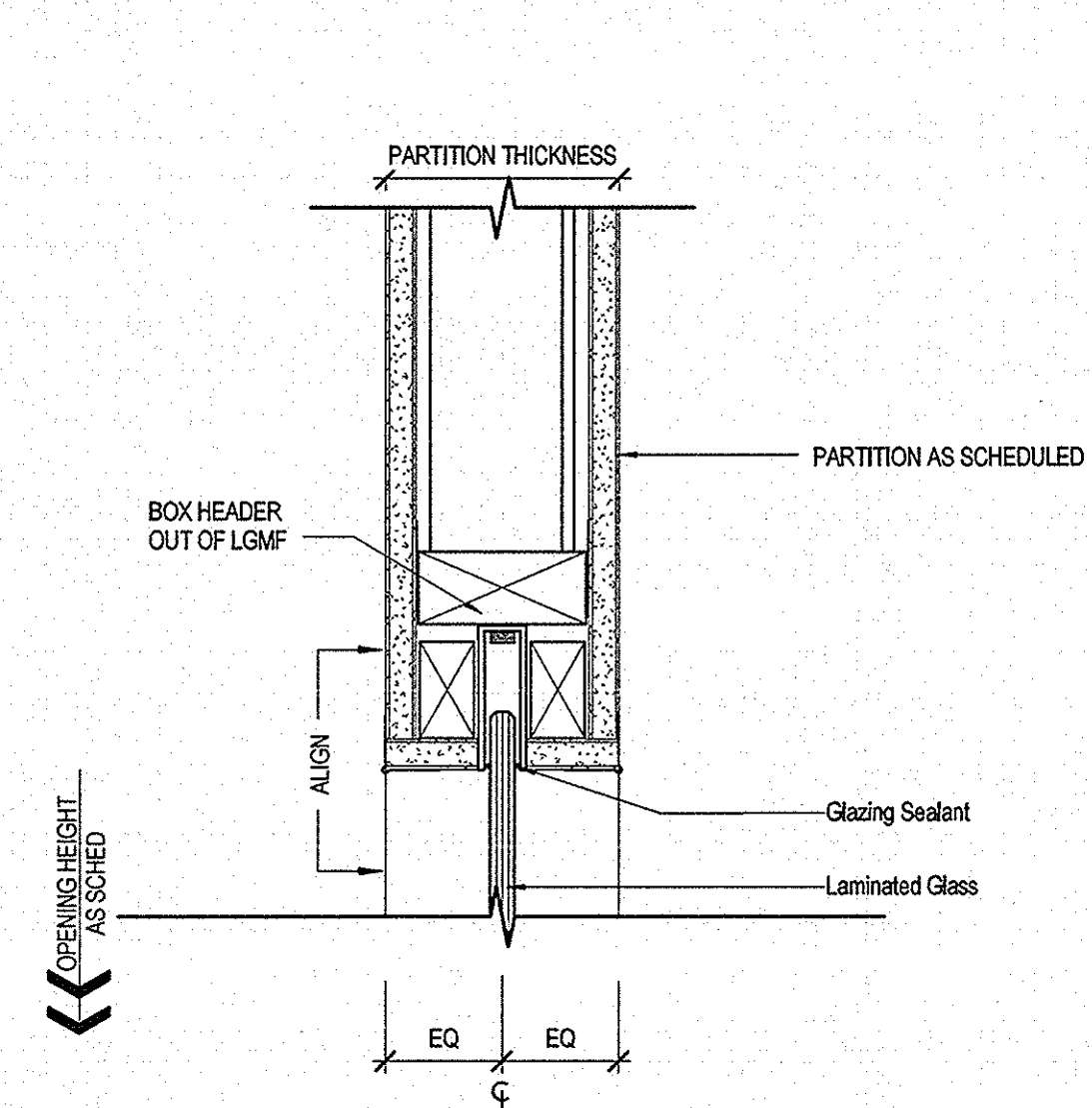
ISSUED FOR PERMIT	06/08/15
1 ADDENDUM NO. 1	05/22/15
NO	ISSUE
DATE	DATE
Sheet Information	
Date	MAY 1, 2015
Job Number	152168.009
Drawn	Author
Checked	sc
Approved	Approver
Title	

DOOR DETAILS

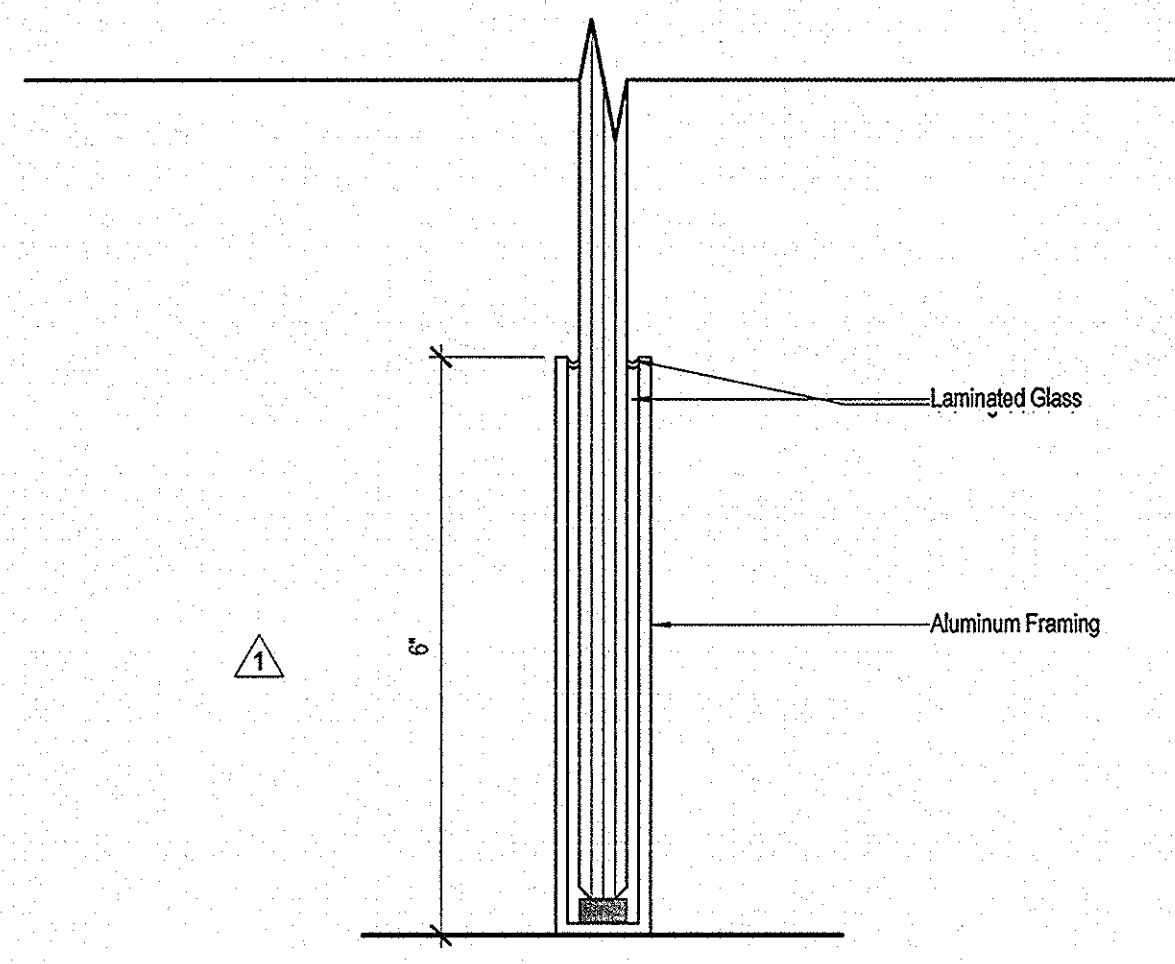
Sheet
A00-51



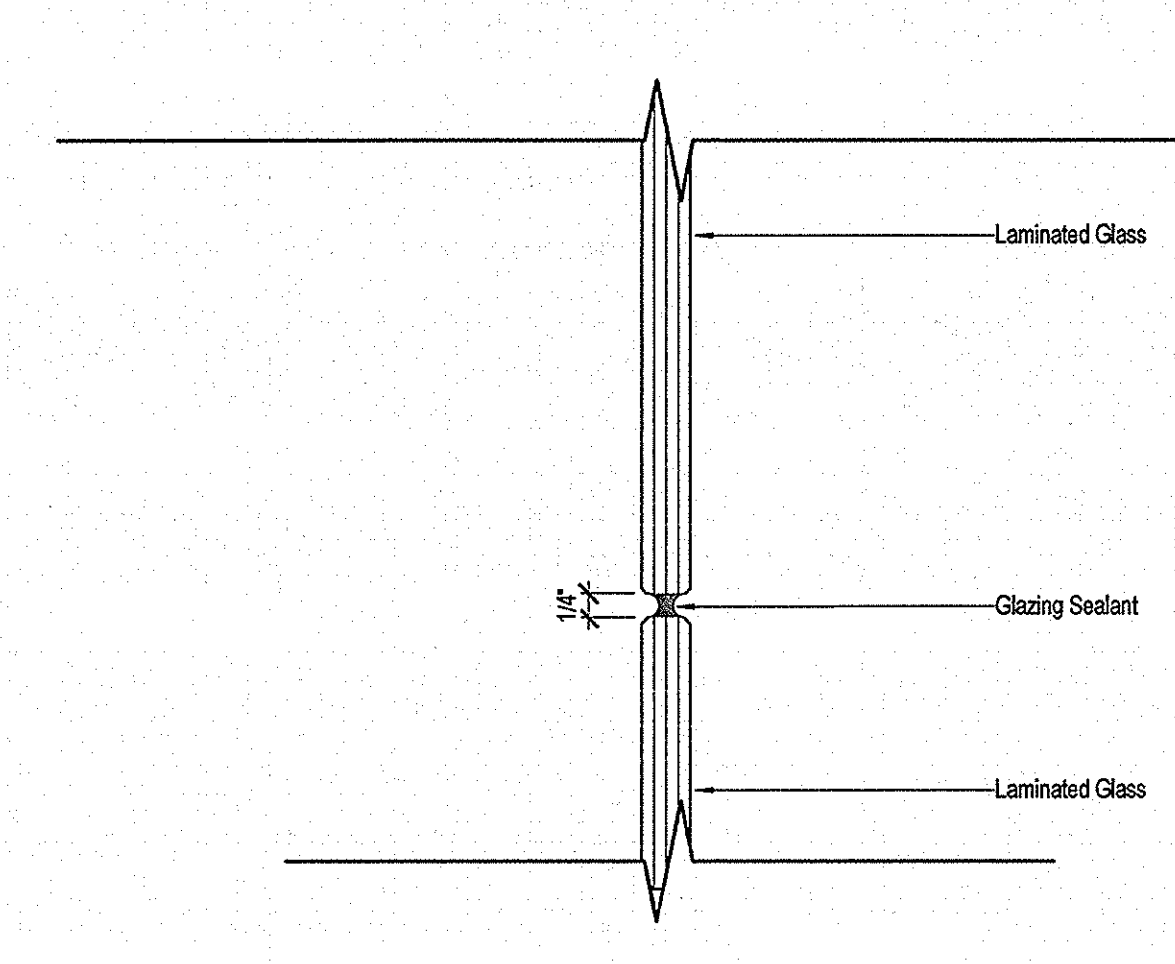
D1 TYP JAMB DTL @ INTERIOR GLASS PARTITION
3" = 1'-0"



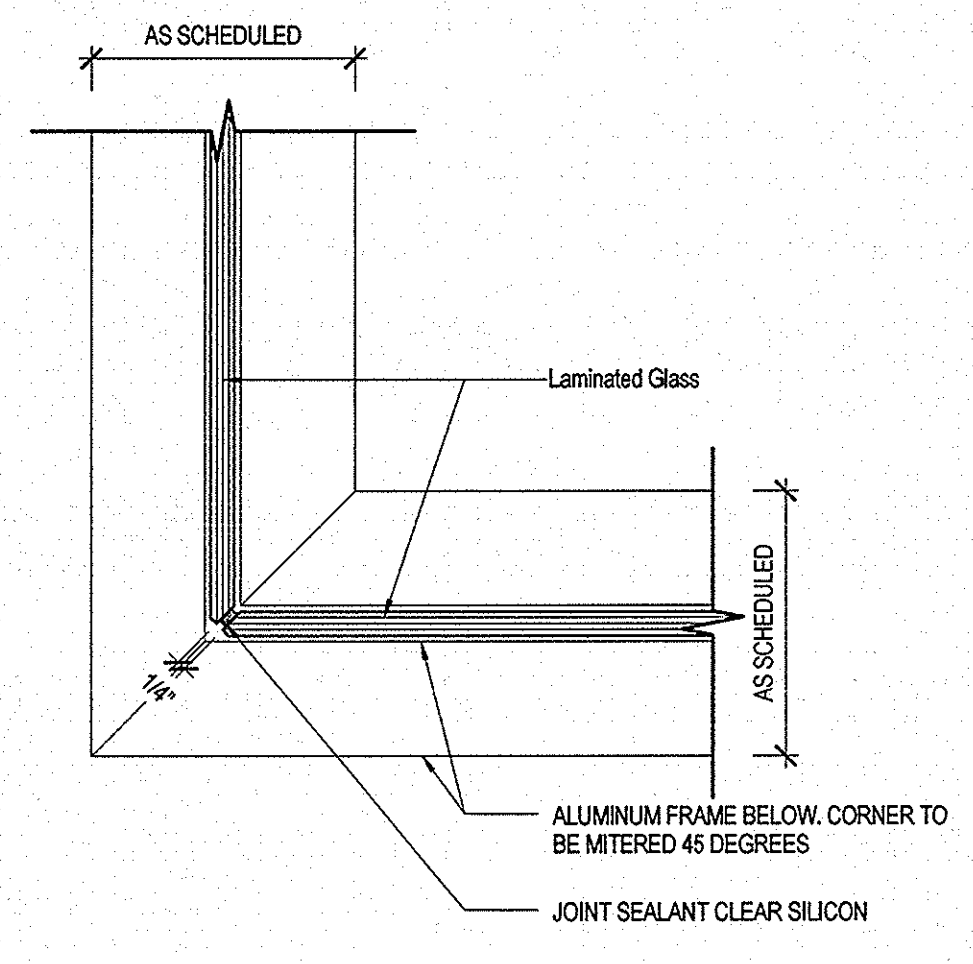
D2 TYP HEAD DTL @ INTERIOR GLASS PARTITION
3" = 1'-0"



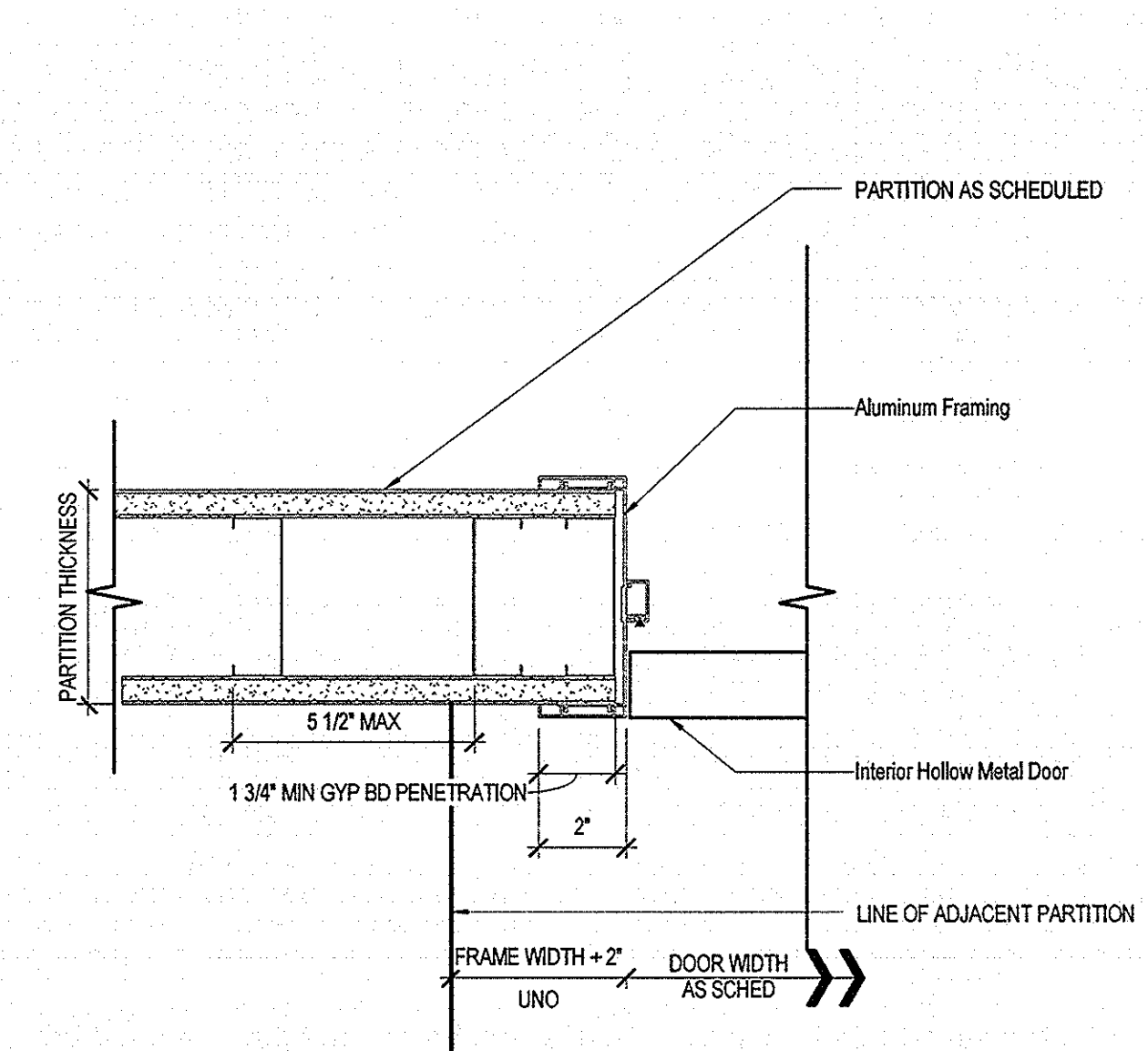
D3 TYP SILL DTL @ INTERIOR GLASS PARTITION
6" = 1'-0"



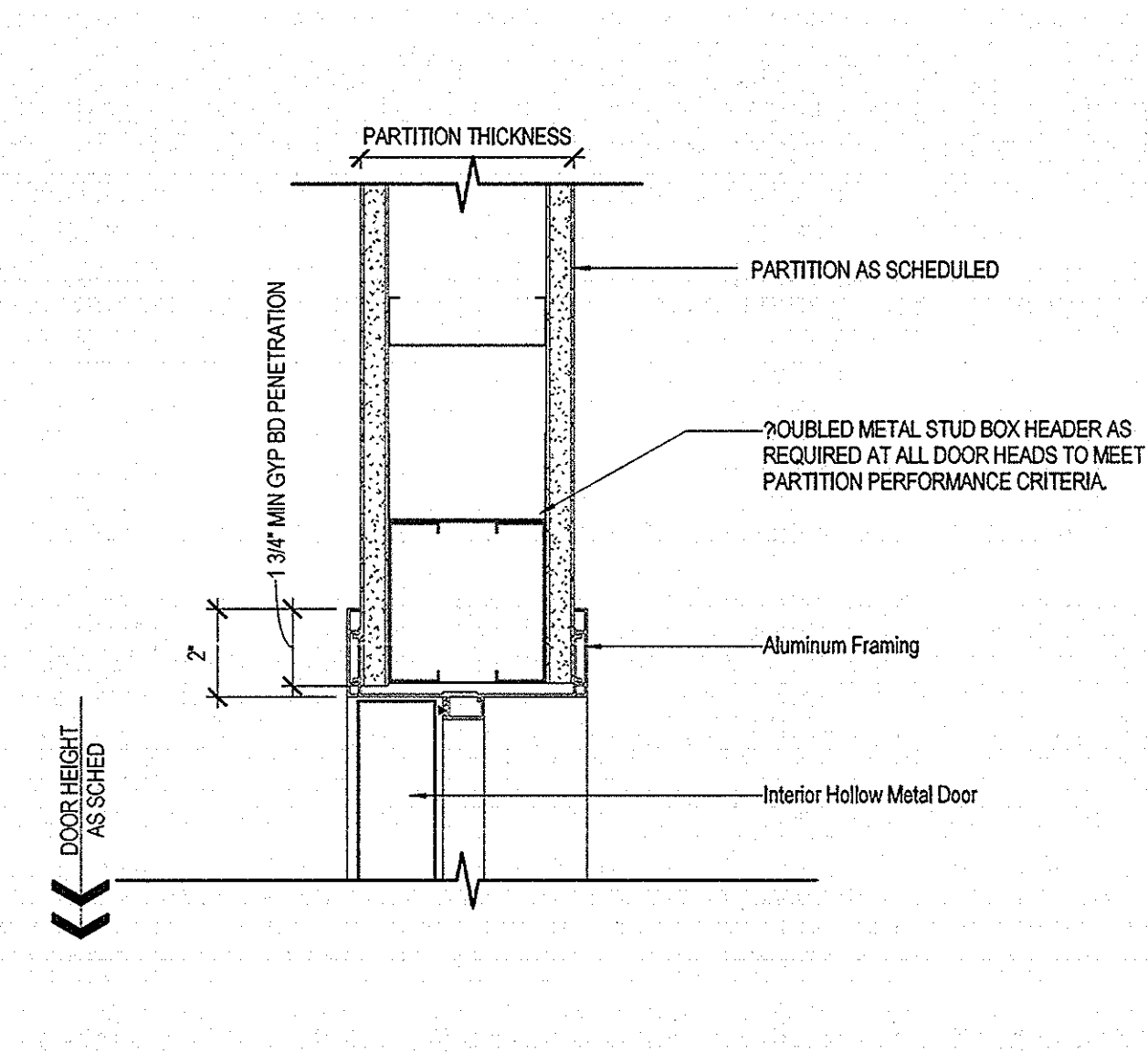
D4 TYP BUTT JOINT DTL @ INT GLASS PARTITION
6" = 1'-0"



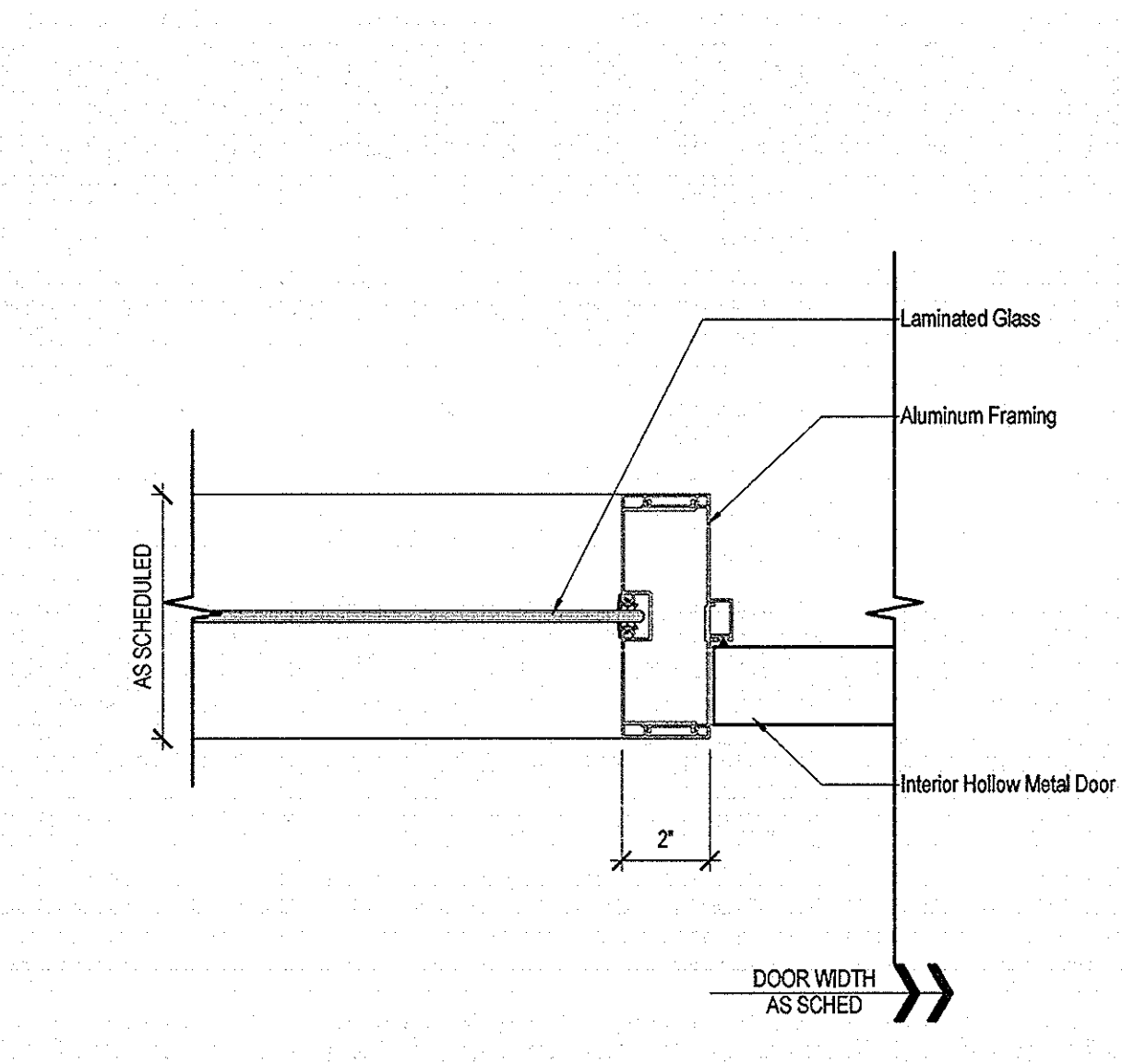
D5 TYP AL MITERED CORNER DTL @ SIDELIGHT
3" = 1'-0"



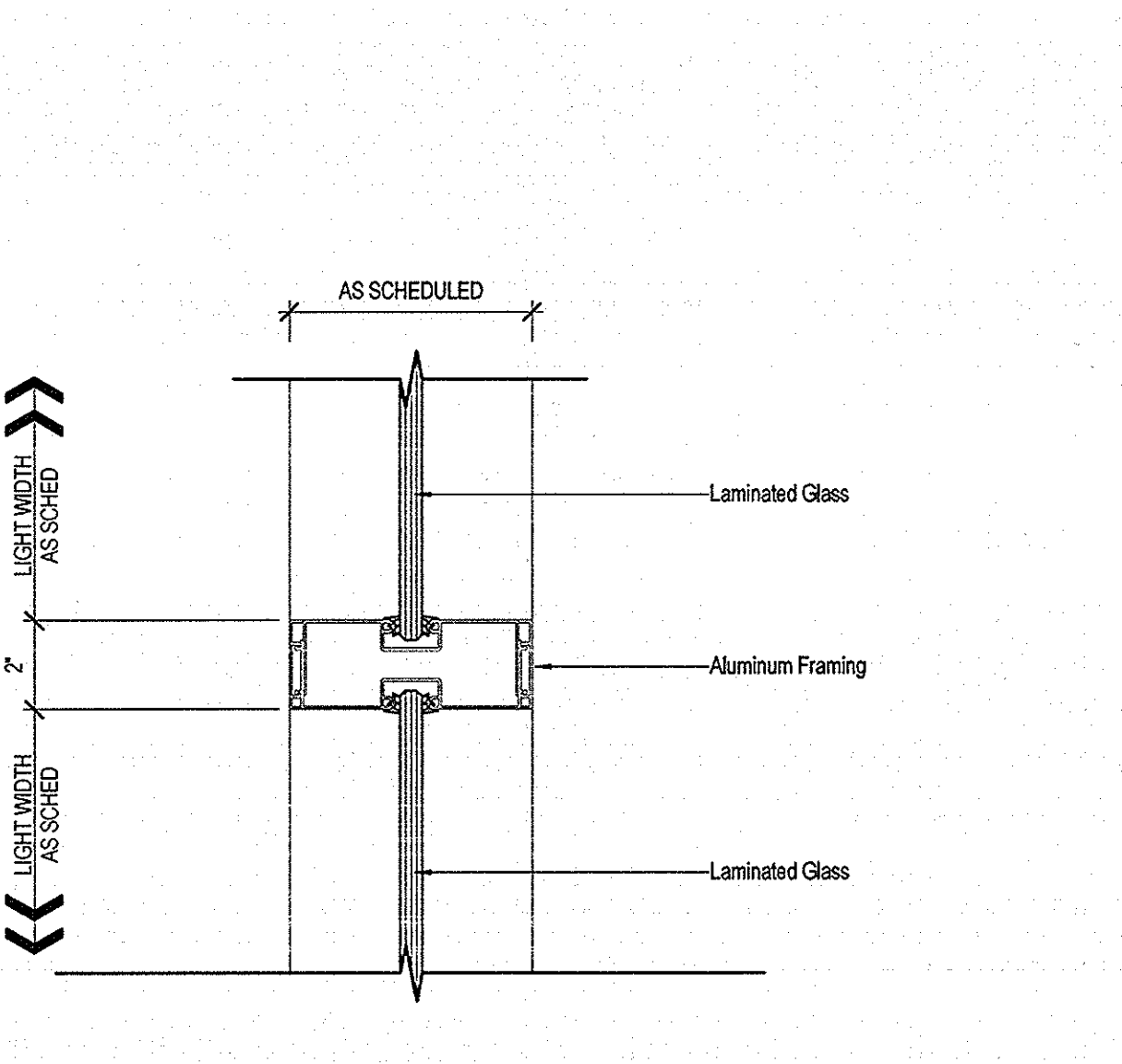
C1 TYP AL JAMB DETAIL @ GWB PARTITION
3" = 1'-0"



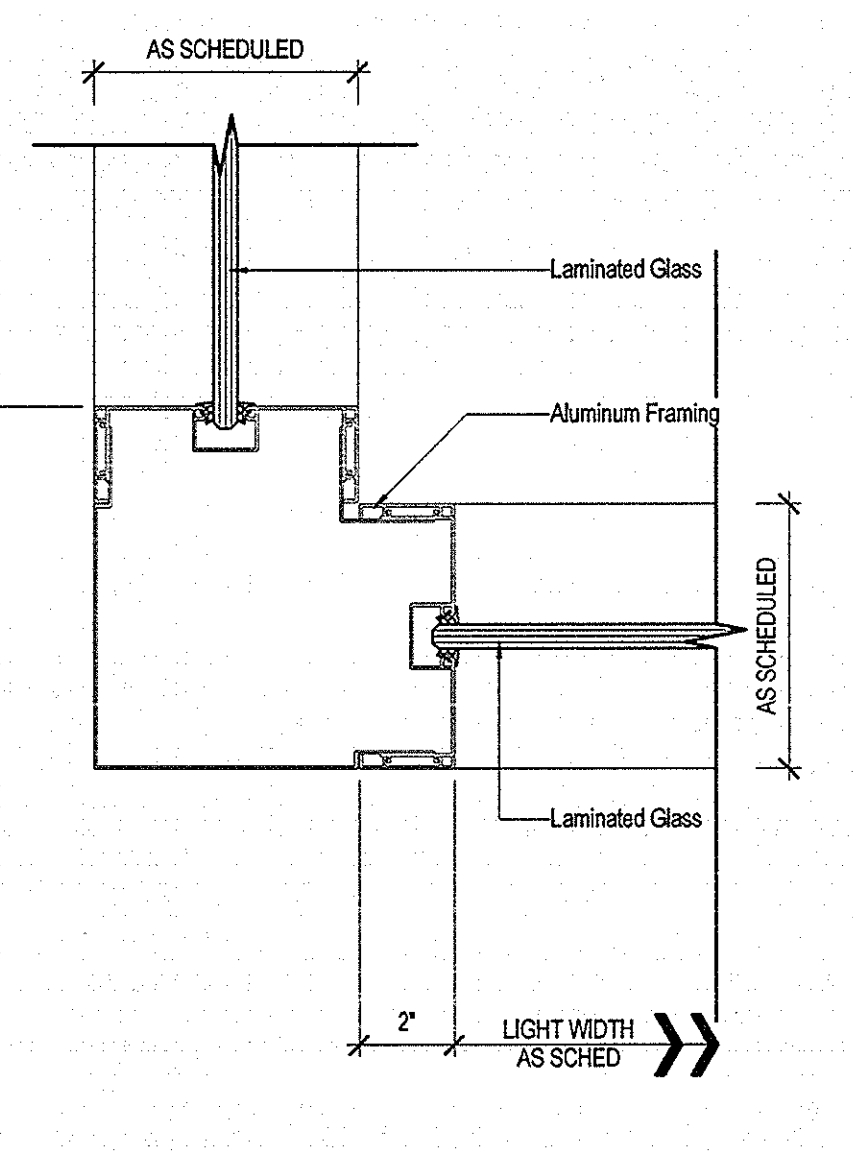
C2 TYP AL HEAD DETAIL @ GWB PARTITION
3" = 1'-0"



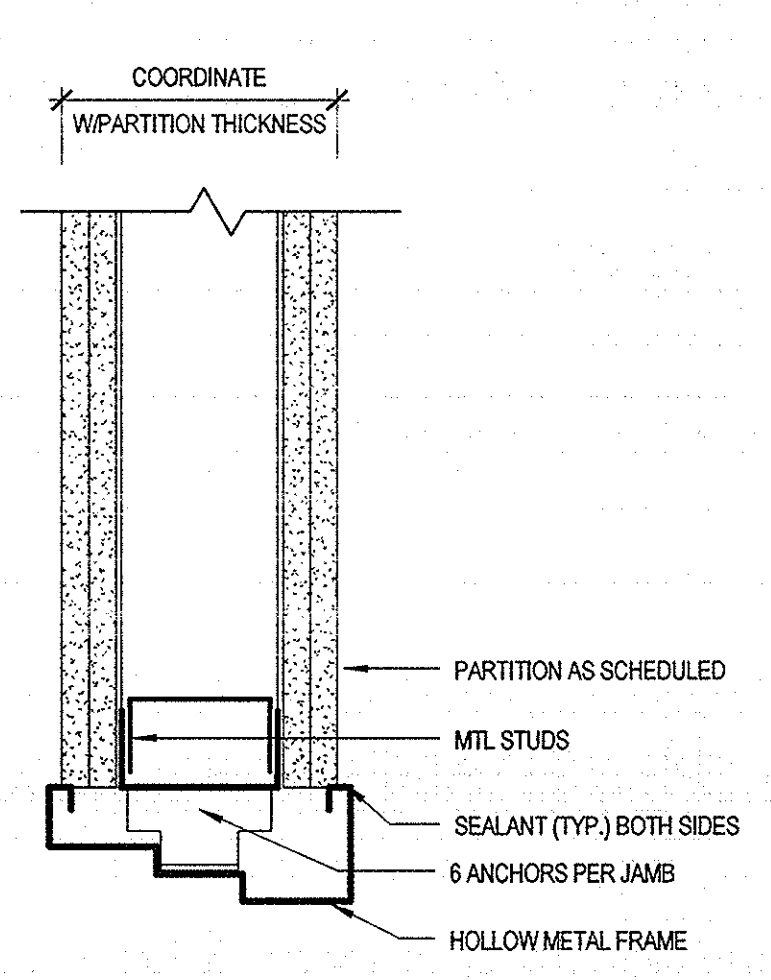
C3 TYP AL JAMB TO MULLION DETAIL @ SIDELIGHT
3" = 1'-0"



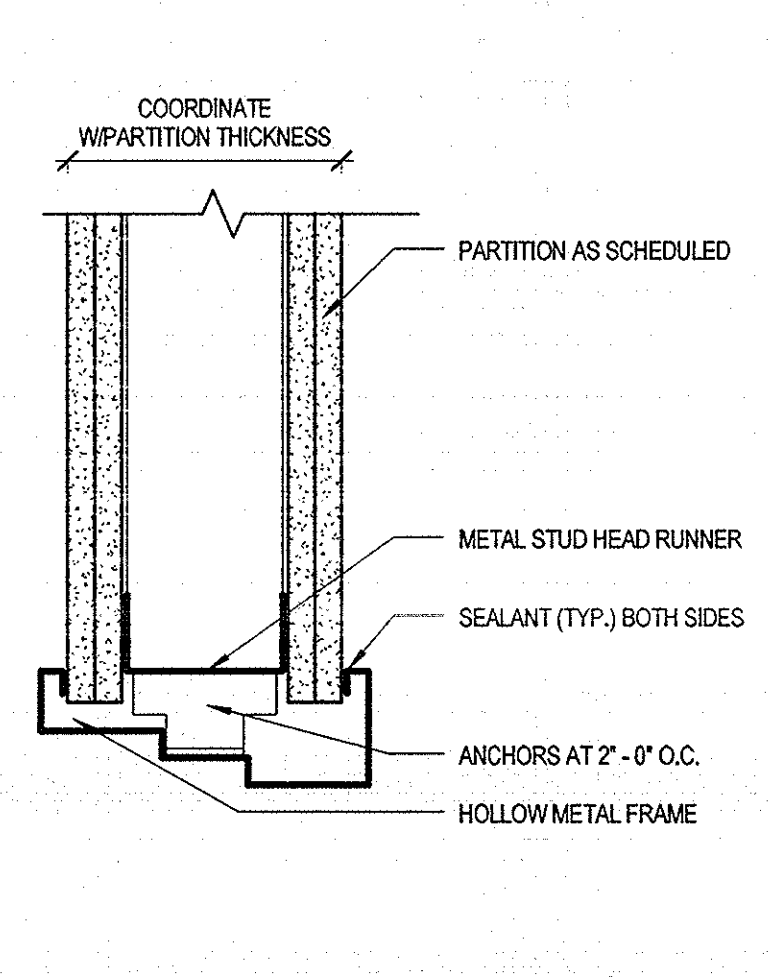
C4 TYP AL MULLION DETAIL @ SIDELIGHT
3" = 1'-0"



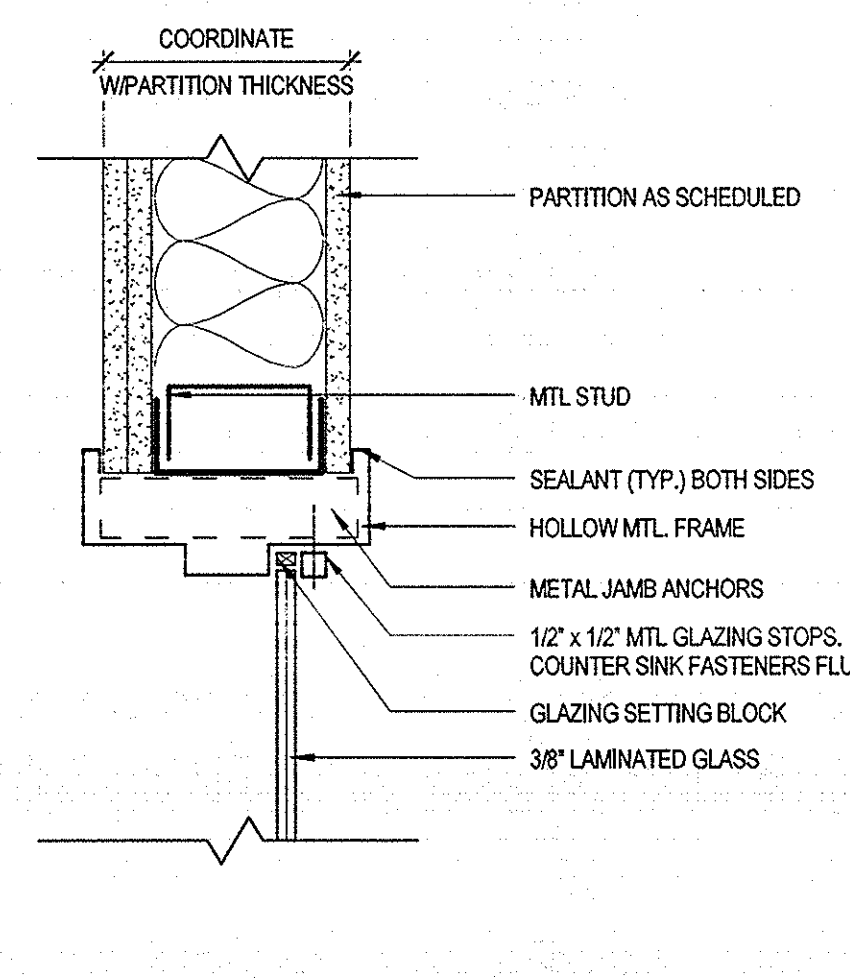
C5 TYP AL CORNER MULLION DTL @ SIDELIGHT
3" = 1'-0"



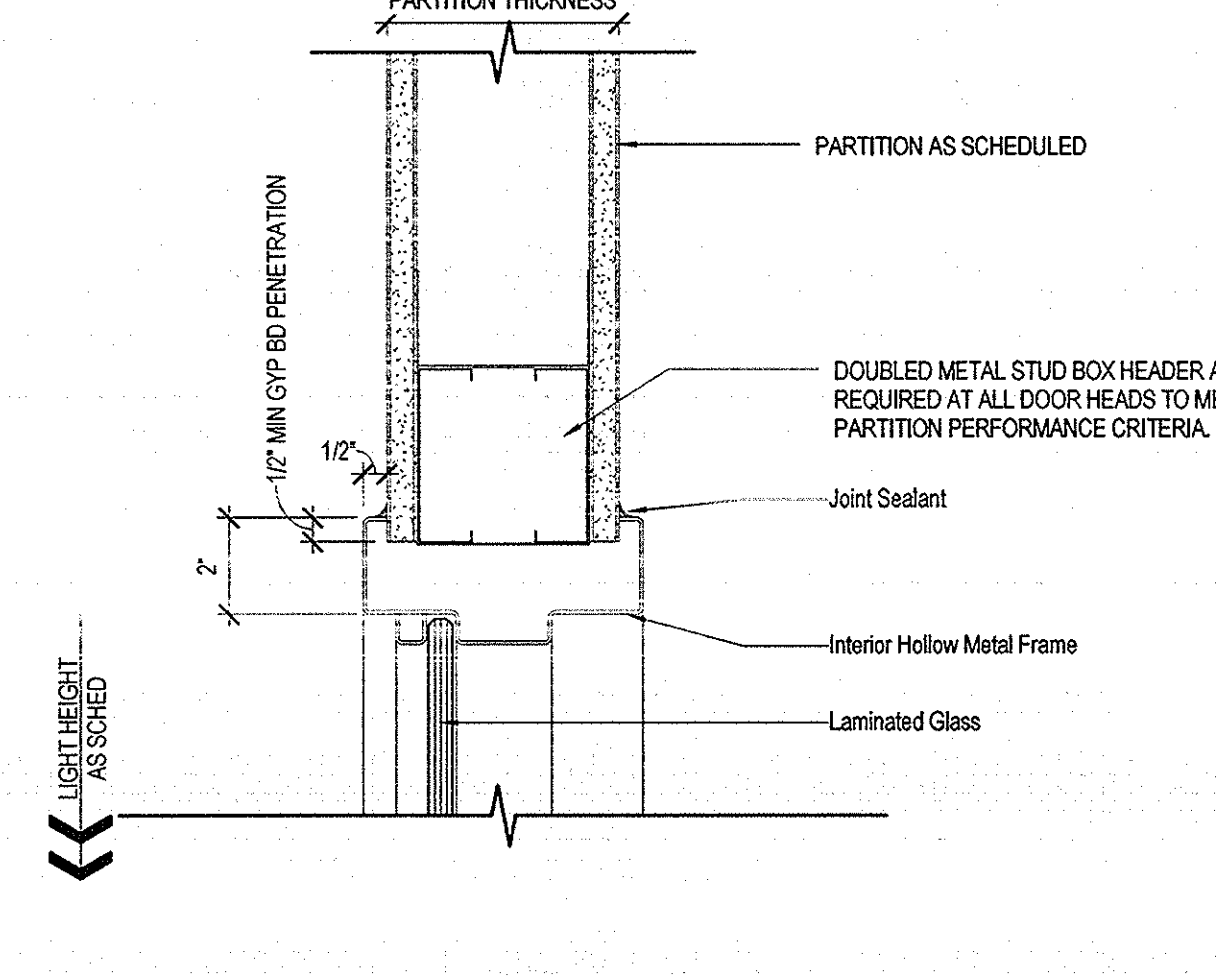
B1 DOUBLE EGRESS JAMB DETAIL
3" = 1'-0"



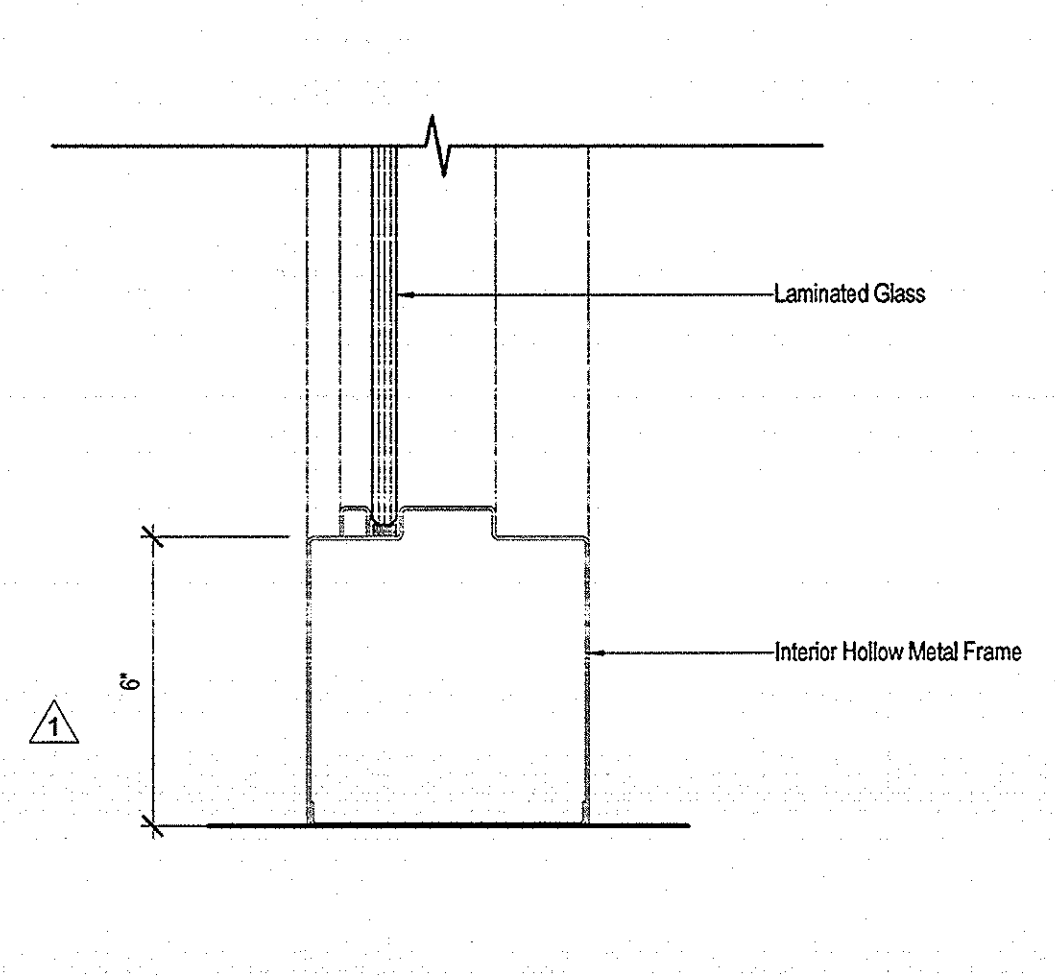
B2 DOUBLE EGRESS HEAD DETAIL
3" = 1'-0"



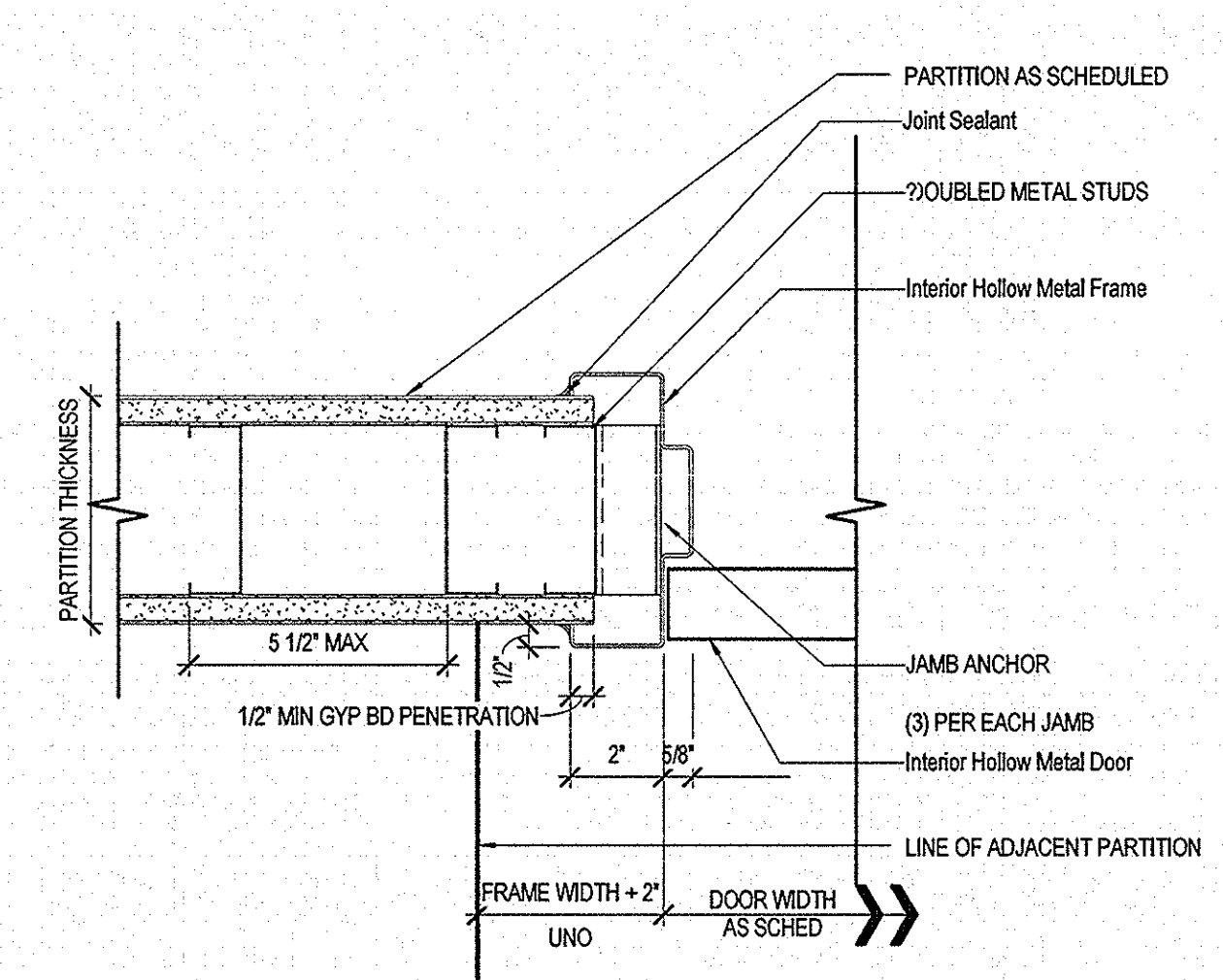
B3 JAMB @ SINGLE GLASS SIDELITE
3" = 1'-0"



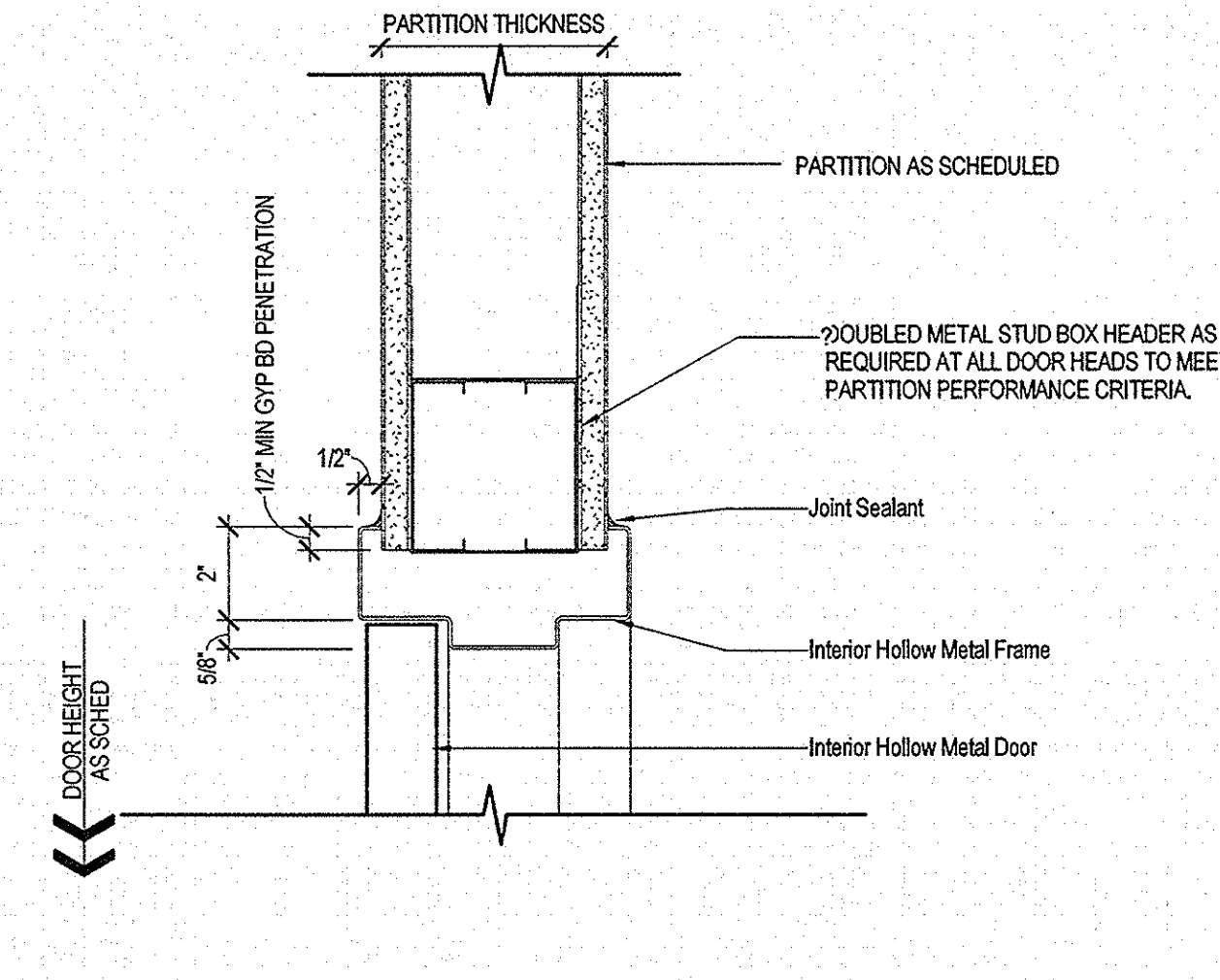
B4 TYP HMF HEAD DETAIL @ SIDELIGHT
3" = 1'-0"



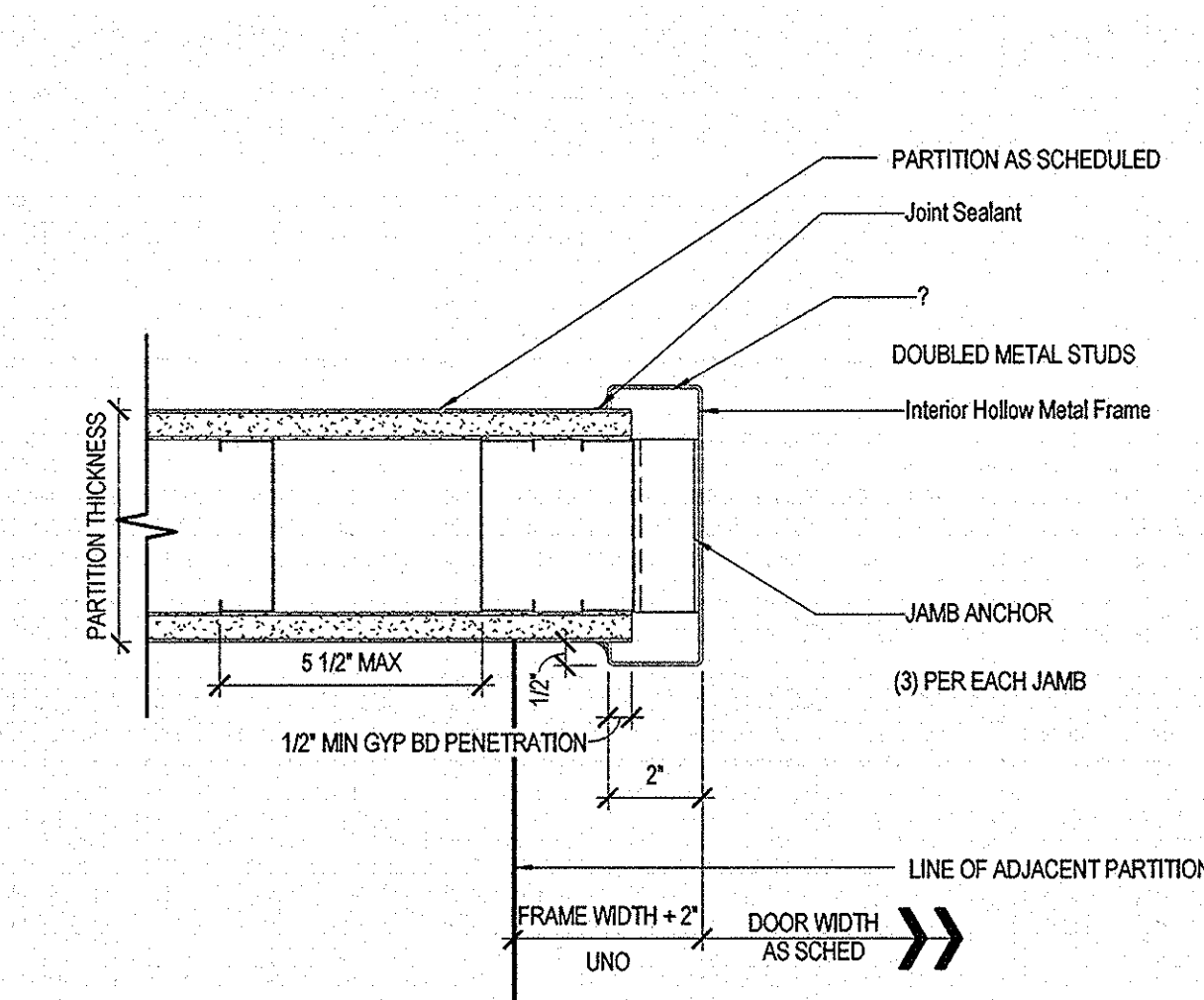
B5 TYP HMF SILL DETAIL @ SIDELIGHT
3" = 1'-0"



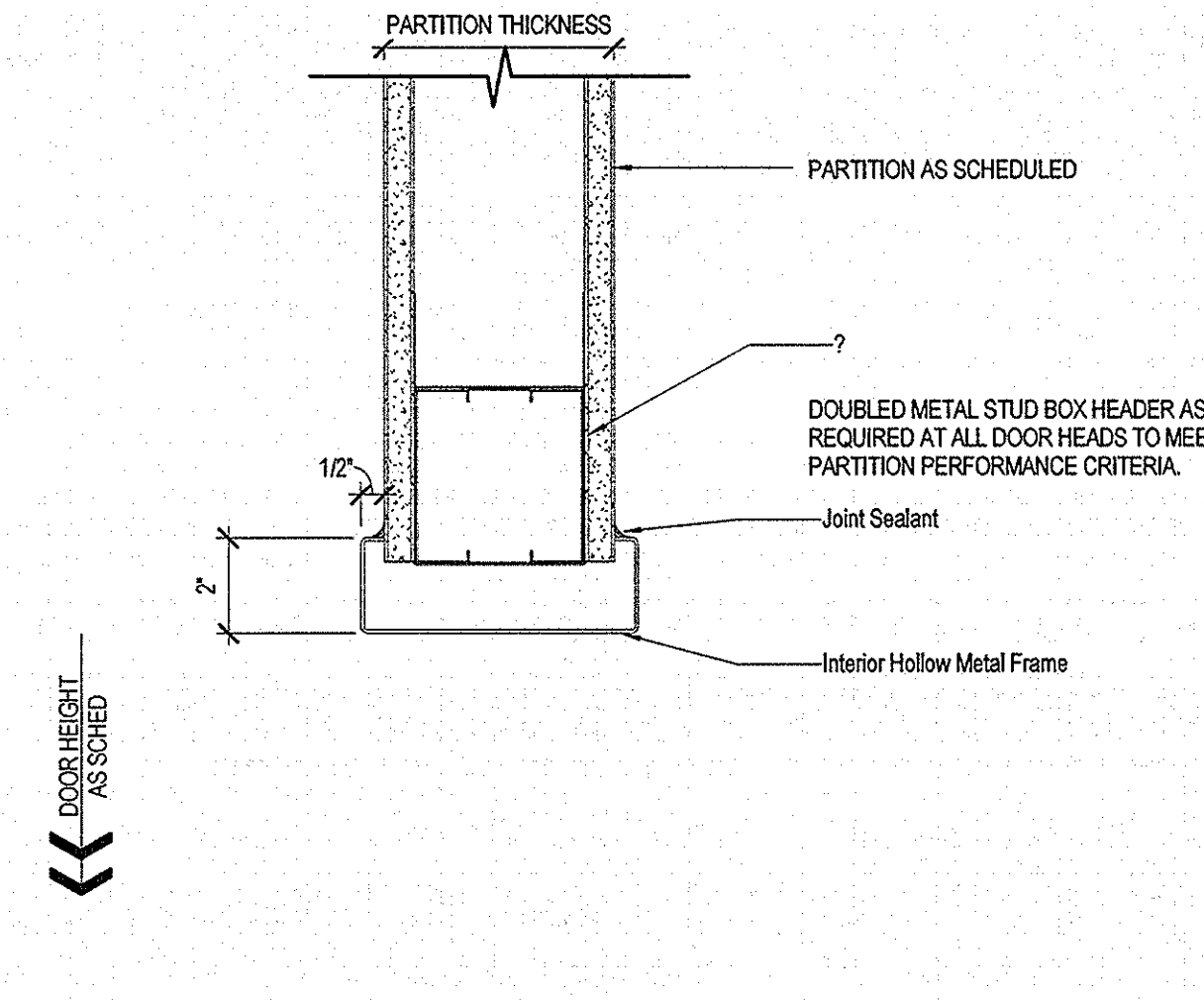
A1 TYP HMF JAMB DETAIL @ GWB PARTITION
3" = 1'-0"



A2 TYP HMF HEAD DETAIL @ GWB PARTITION
3" = 1'-0"



A3 TYP HMF JAMB DETAIL @ CASSED OPENING
3" = 1'-0"



A4 TYP HMF HEAD DETAIL @ CASSED OPENING
3" = 1'-0"