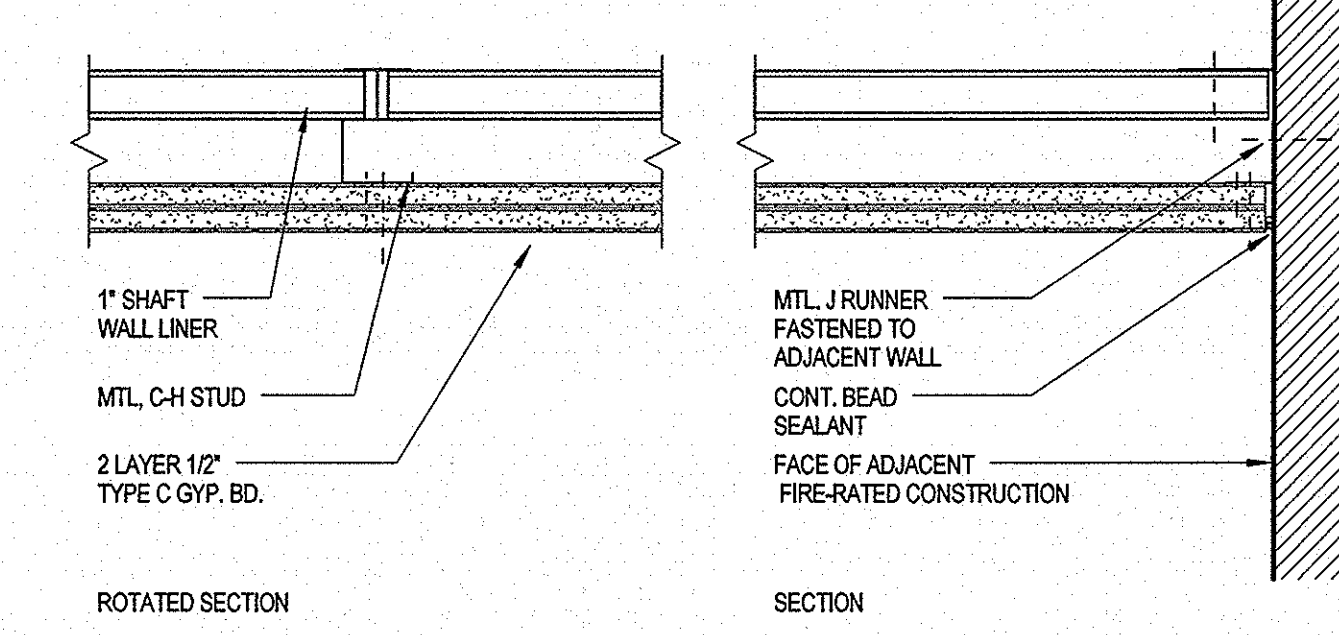
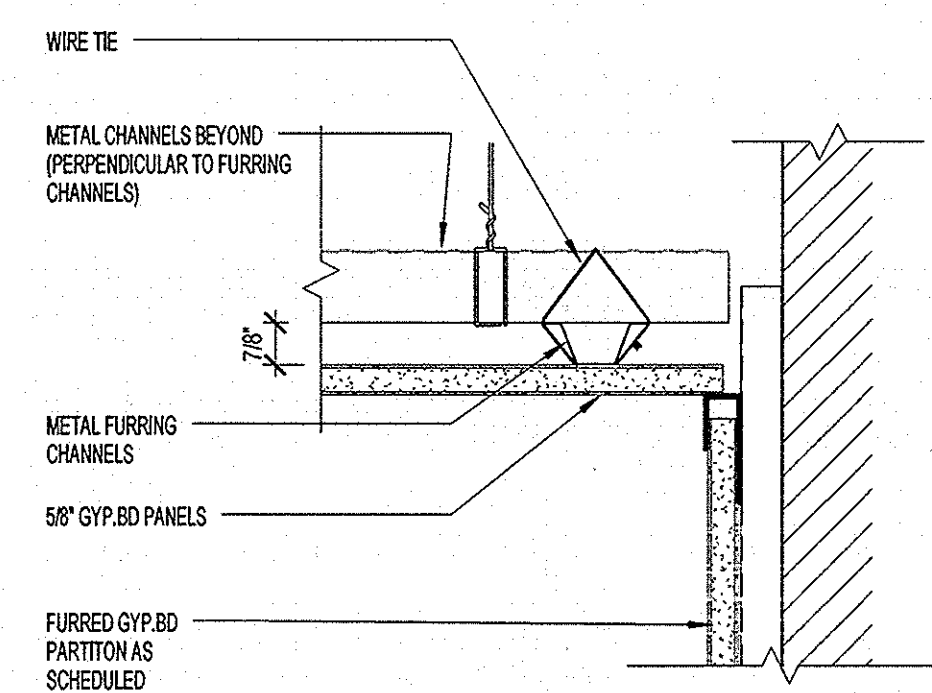


D2 CONTROL JOINT DETAIL STL.
FRAMED GYP. BD CEILING
3' = 1'-0"

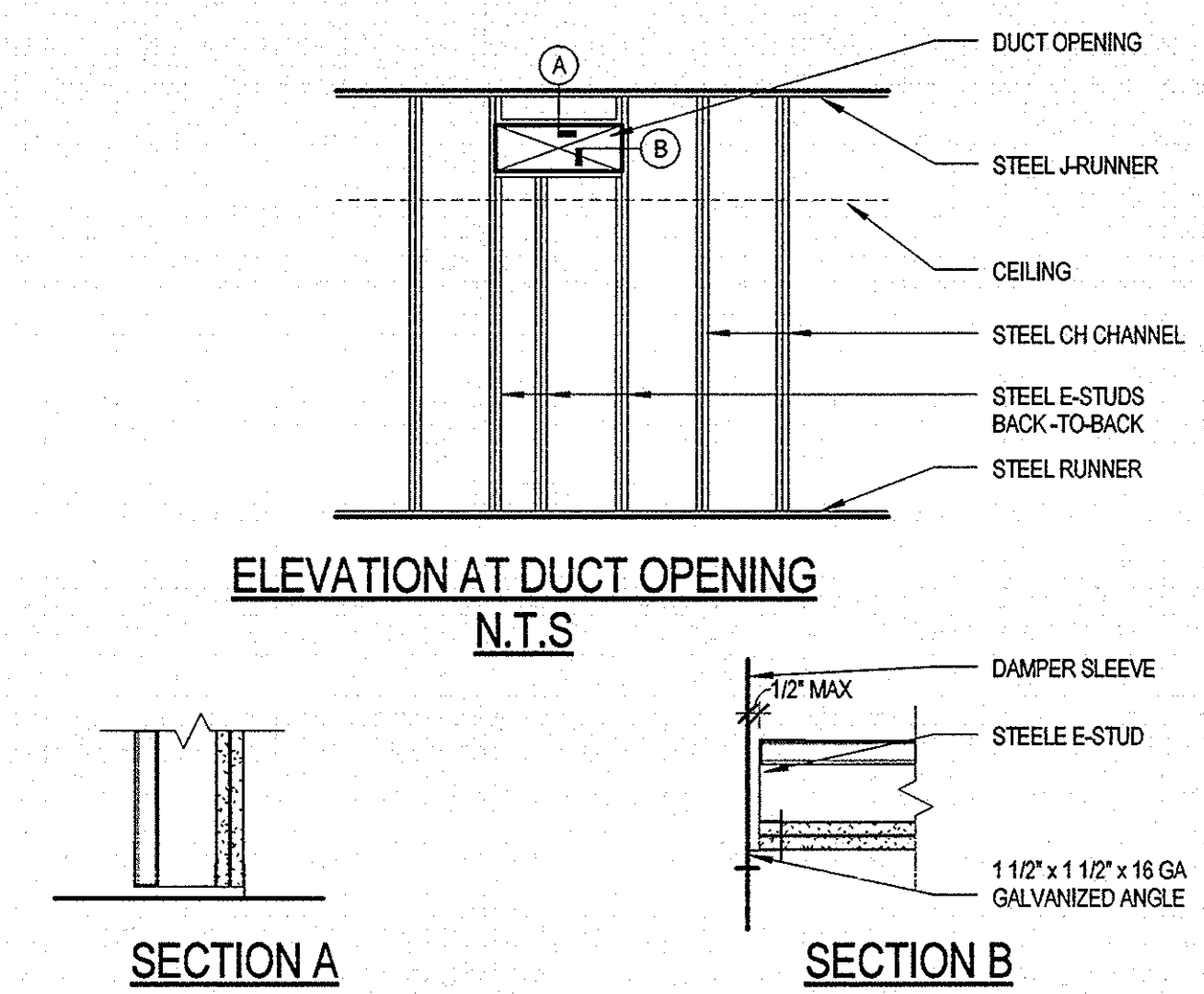


PARTITION TAG	STUD SIZE	STUD GAUGE	STUD SPACING	MAX. HORIZONTAL SPAN L240	FIRE RATING TEST NO.	ACOUSTIC PROPERTIES			WALL THK
						STC	INSUL. THK	TEST NO.	
2-1/2" CH	25 GA.	24" OC	9'-0"	-	2 HR	39	-	-	5-1/4"
4" CH	25 GA.	24" OC	9'-0"	-	2 HR	39	-	-	5-1/4"
2-1/2" CH	20 GA.	24" OC	7'-30"	-	2 HR	39	-	-	5-1/4"
4" CH	20 GA.	24" OC	13'-2"	-	2 HR	39	-	-	5-1/4"
6" CH	20 GA.	24" OC	15'-10"	-	2 HR	39	-	-	7-1/4"

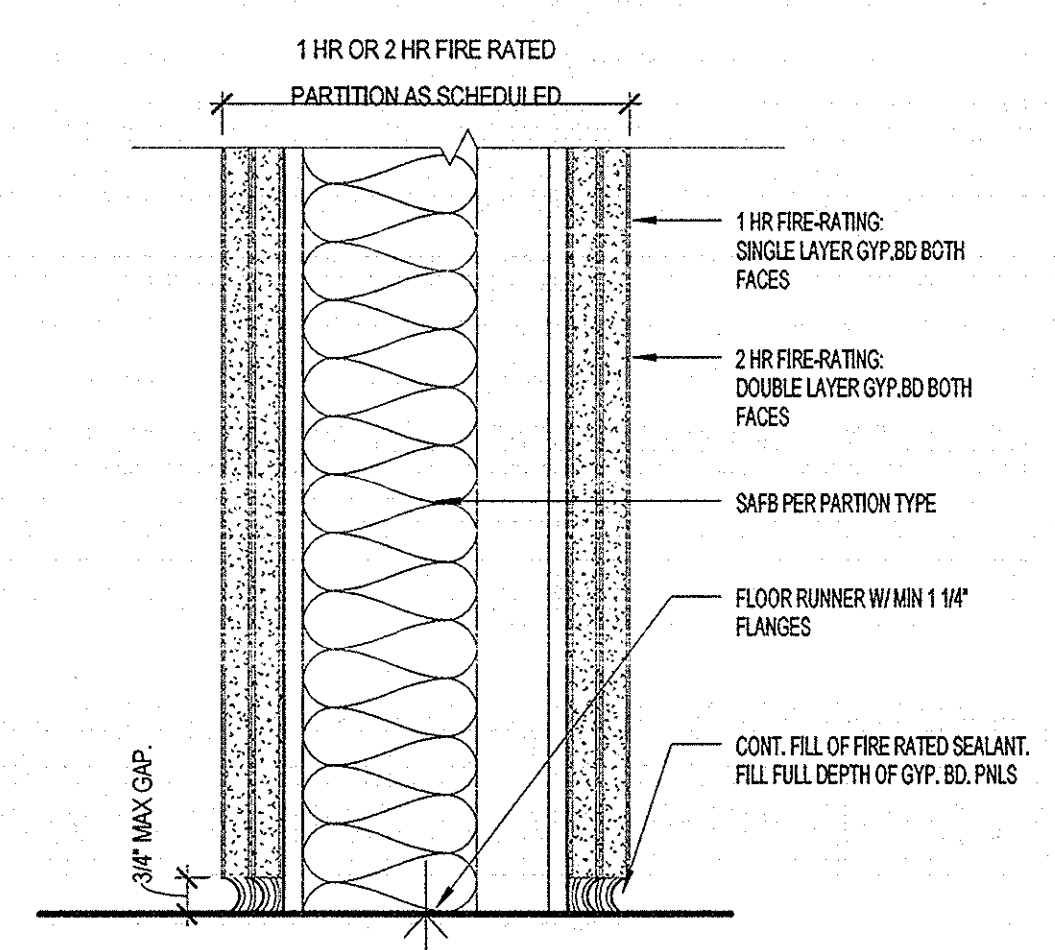
D1 2 HR SHAFT WALL CEILING /SOFFIT
3' = 1'-0"



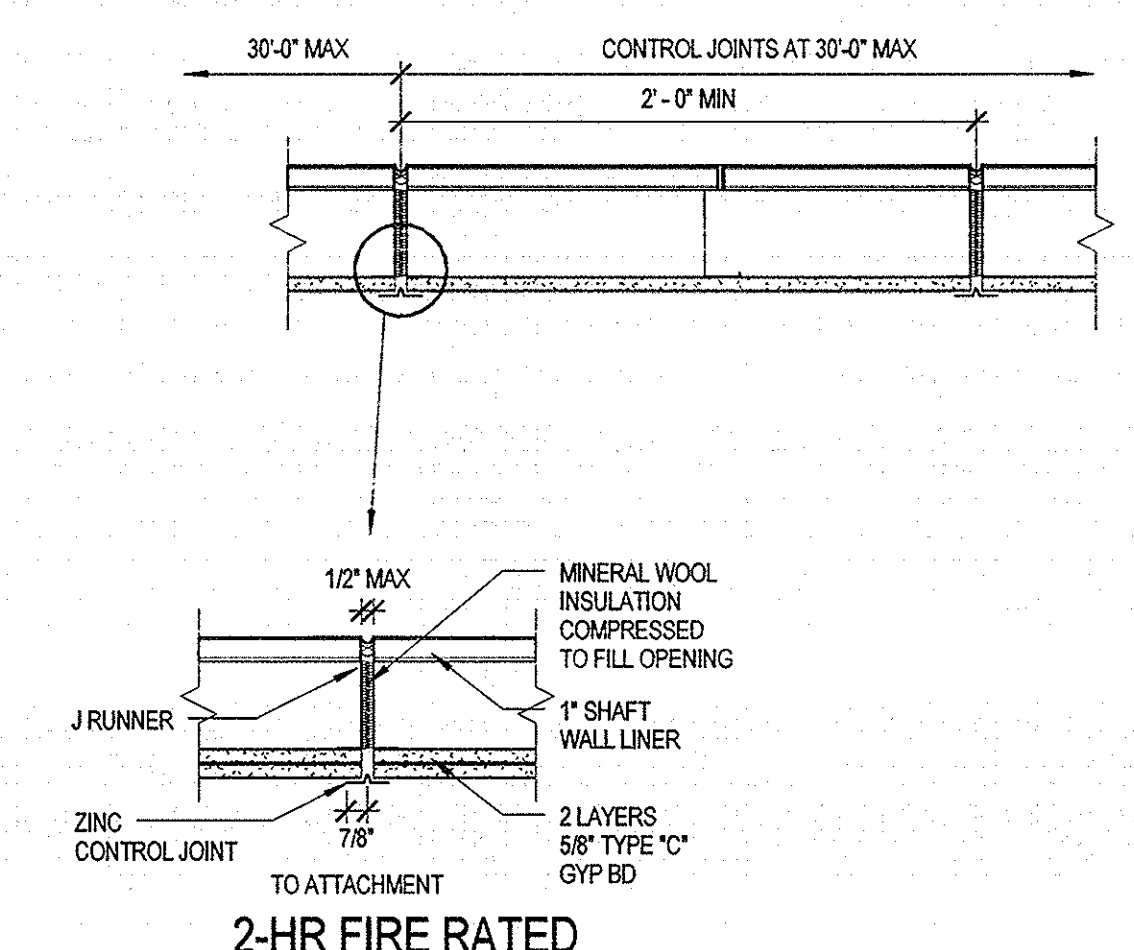
C2 PERIMETER EDGE DETAIL STL.
FRAMED GYP. BD CEILING
3' = 1'-0"



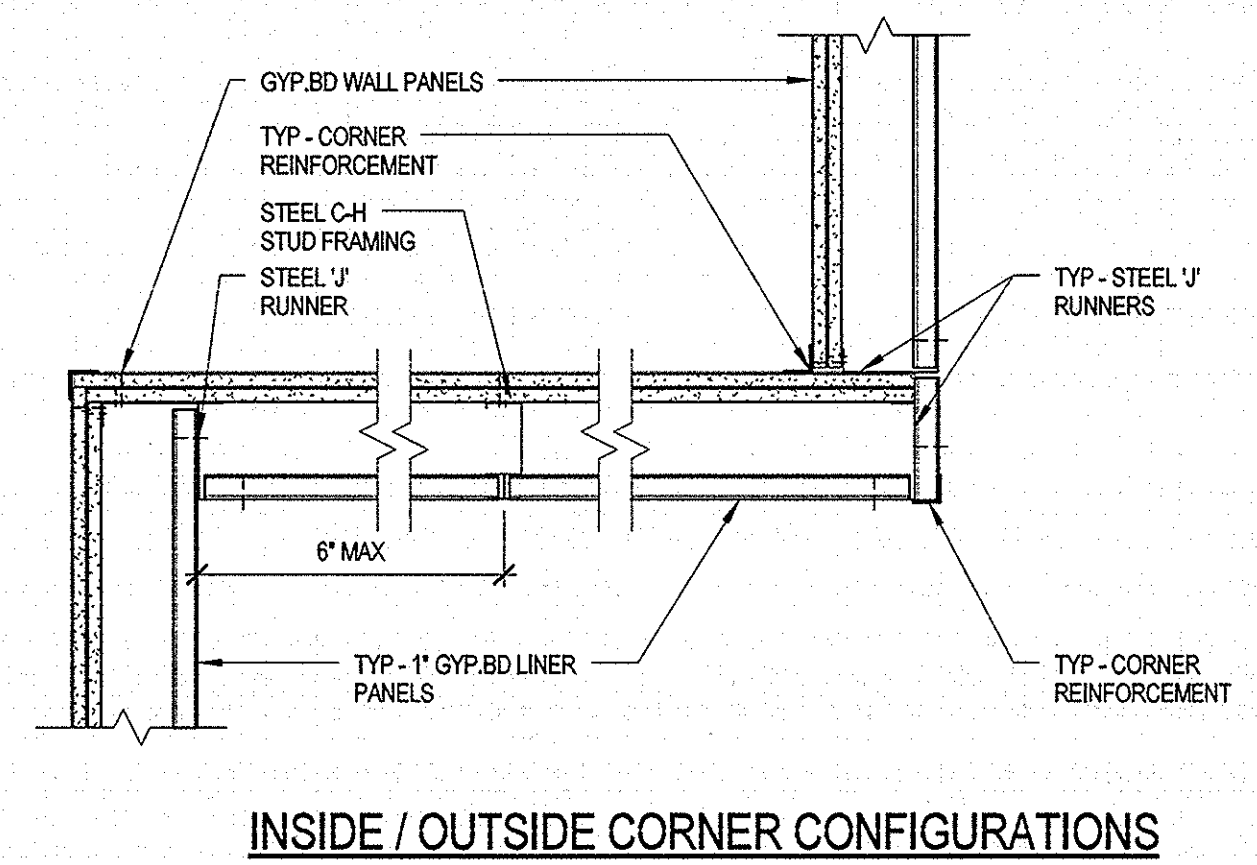
C1 SHAFT WALL PARTITION
CONTROL JOINT DETAILS
1 1/2' = 1'-0"



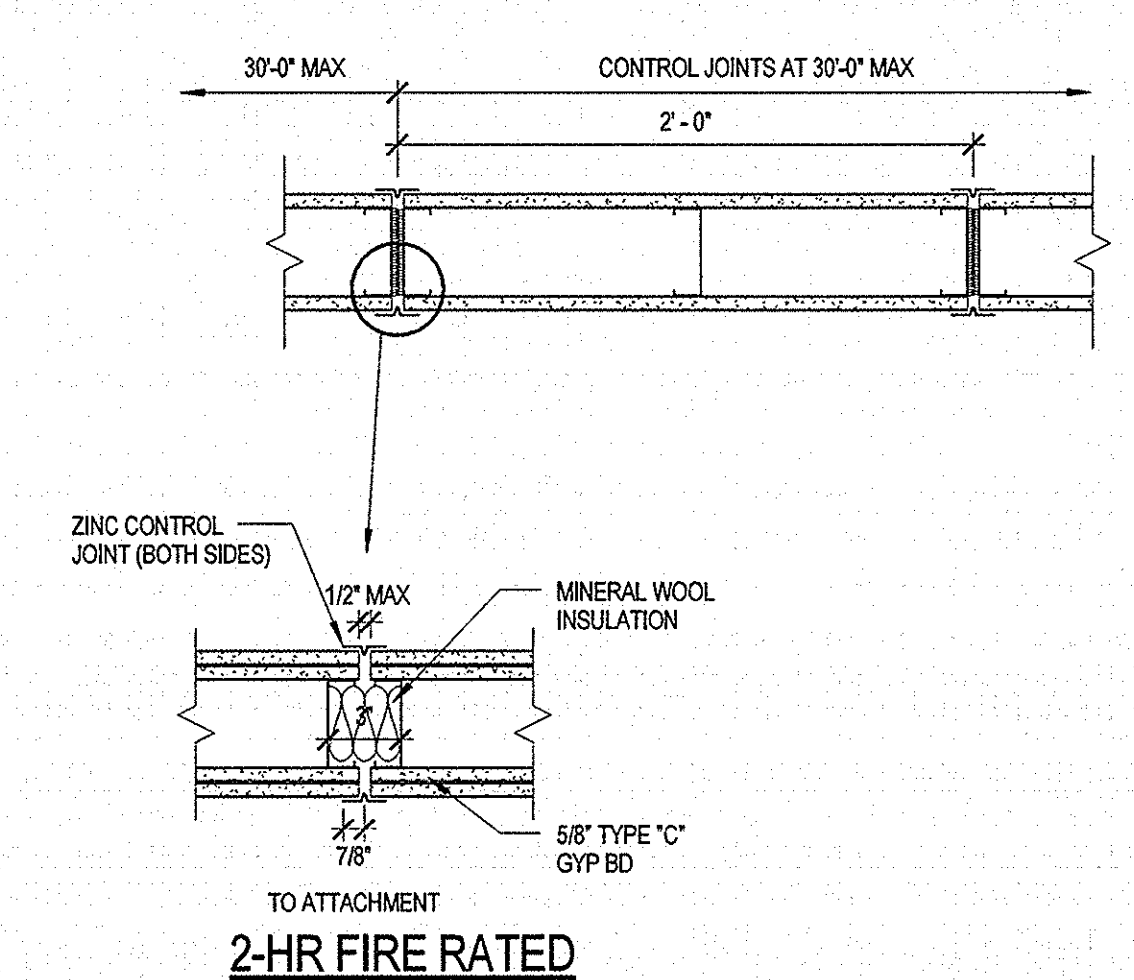
B2 FIRE RATED ASSEMBLY BOTTOM OF
PARTITION DETAIL
3' = 1'-0" UL DESIGN 99-S-001



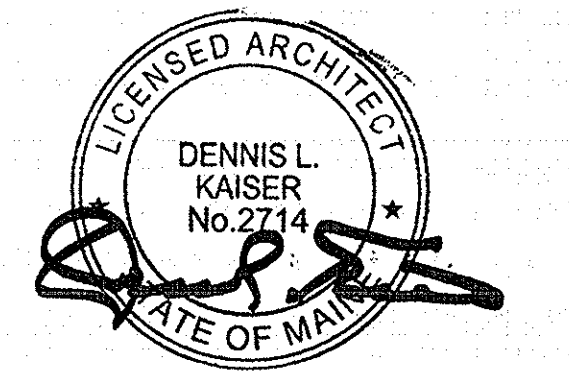
B1 SHAFT WALL PARTITION
CONTROL JOINT DETAILS
1 1/2' = 1'-0"



A2 CORNER CONFIGURATIONS
AT SHAFT WALL PTN FRAMING
1 1/2' = 1'-0"



A1 GYP. BD PARTITION CONTROL JOINT DETAILS
1 1/2' = 1'-0"



Revisions

NO.	ISSUED FOR PERMIT	06/08/15
NO.	ISSUE	DATE
Sheet Information		
Date	MAY 1, 2015	
Job Number	152168.009	
Drawn	Author	
Checked	Checker	
Approved	Approver	
Title		

**GYP. BD PARTITION
DETAILS**

Sheet
A00-22