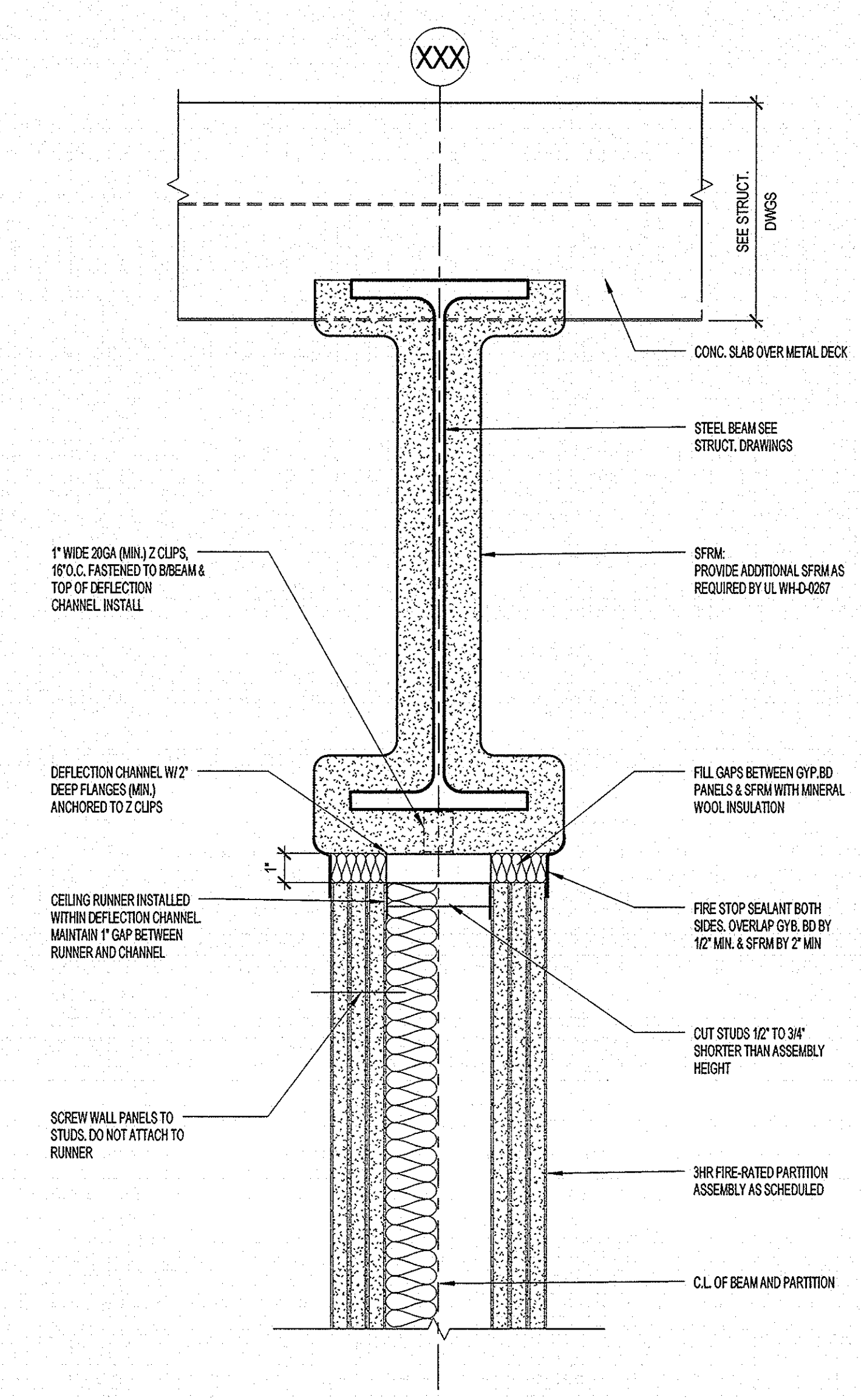


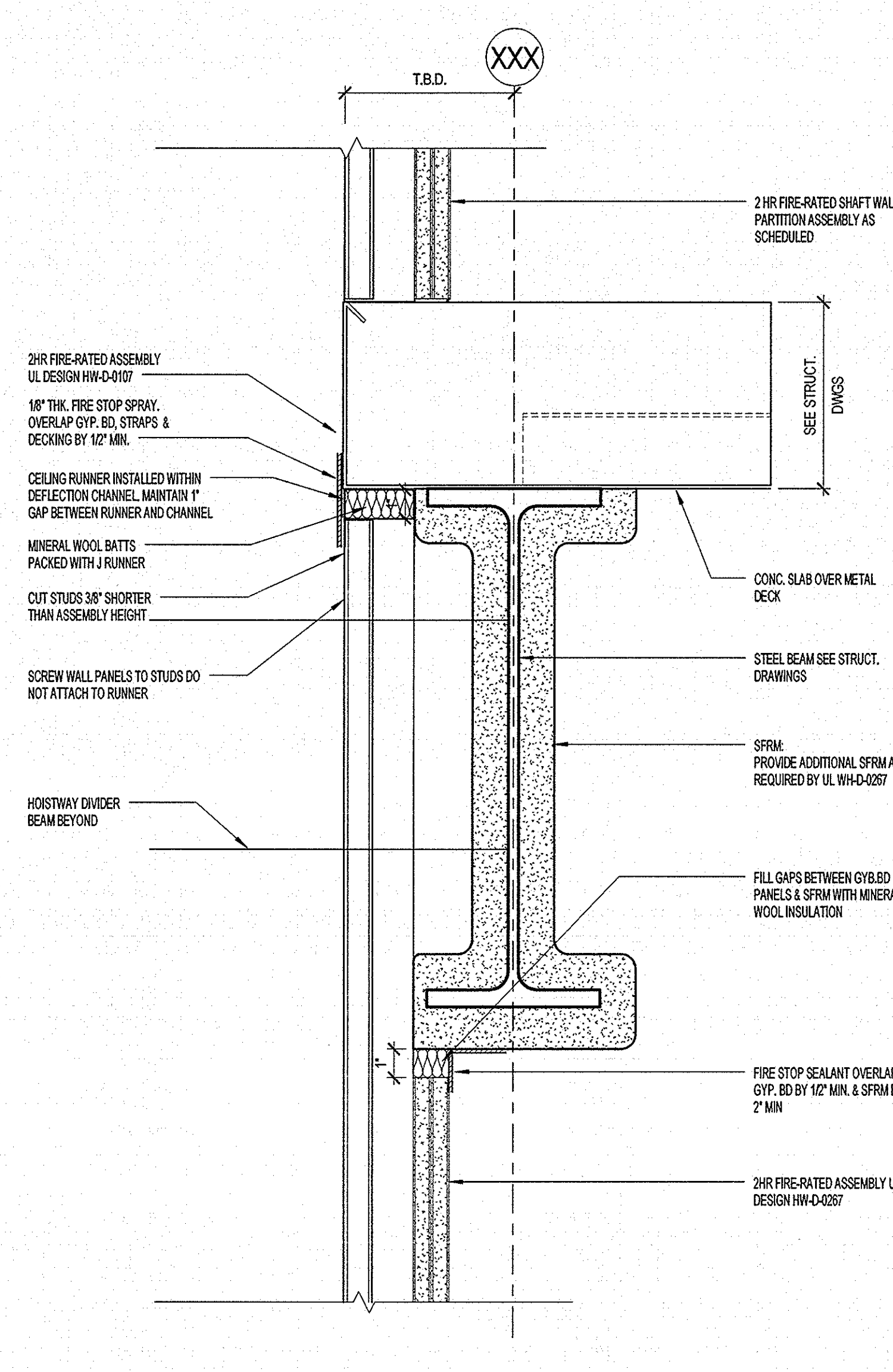
Revisions

NO	ISSUED FOR PERMIT	06/08/15
NO	ISSUE	DATE
Sheet Information		
Date	MAY 1, 2015	
Job Number	152168,009	
Drawn	Author	
Checked	Checker	
Approved	Approver	
Title		

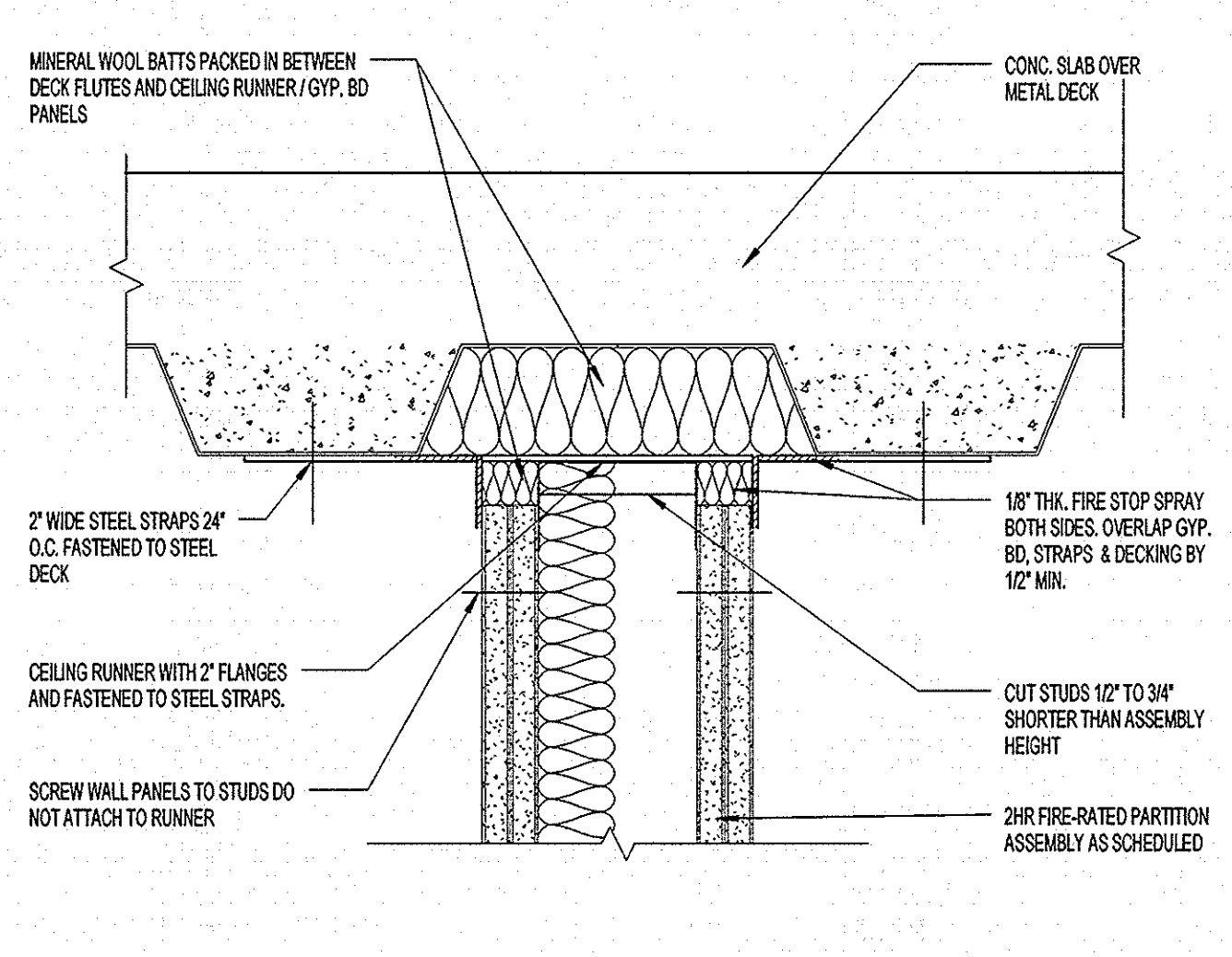
**PARTITION
DETAILS**



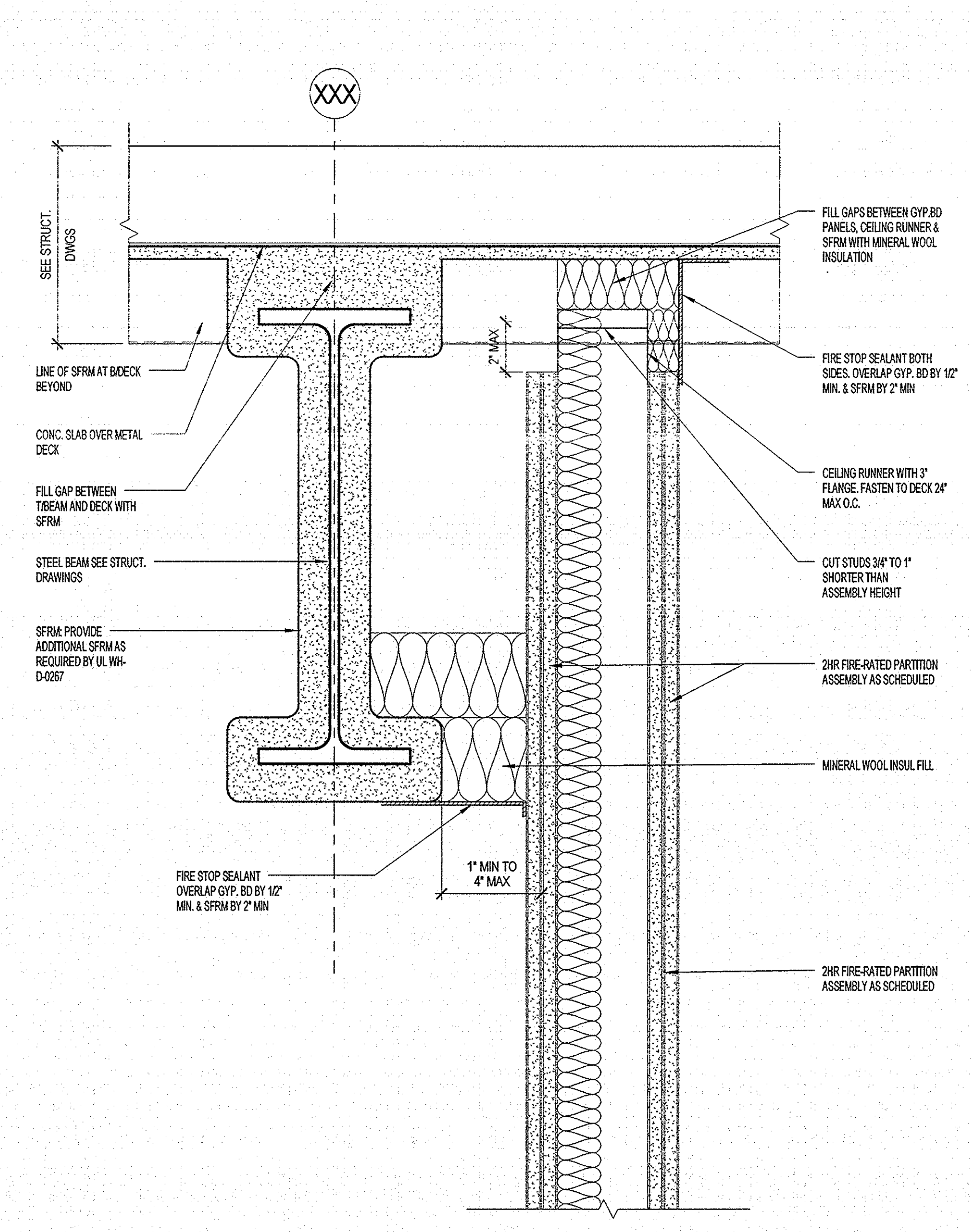
C2 PARTITION HEAD DETAIL
3" x 1'-0"
2 HR FIRE-RATED ASSEMBLY UL DESIGN HW-D-0267



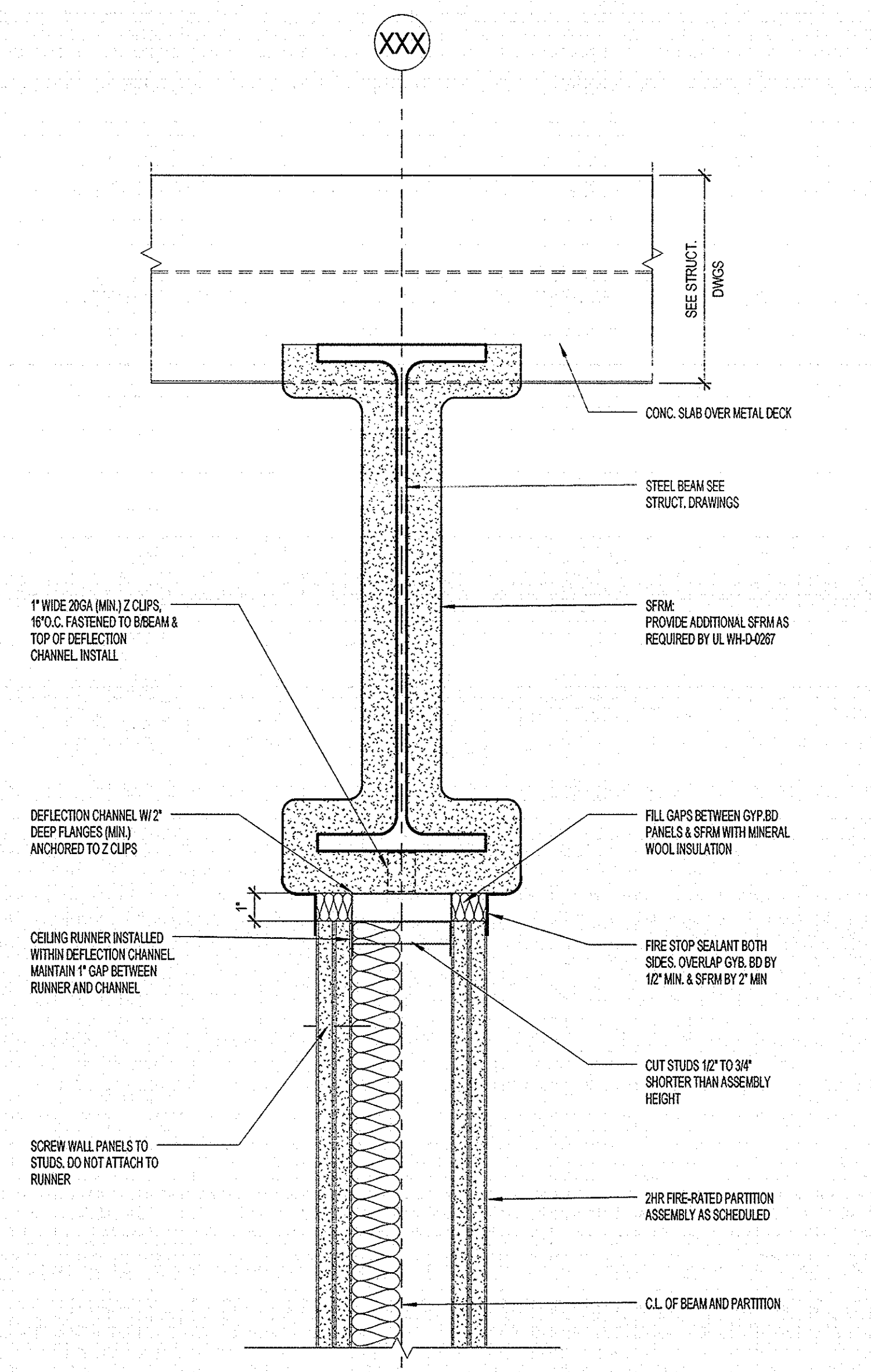
C3 PARTITION HEAD DETAIL
3" x 1'-0"
2 HR FIRE-RATED ASSEMBLY UL DESIGN HW-D-0107; HW-D-0267



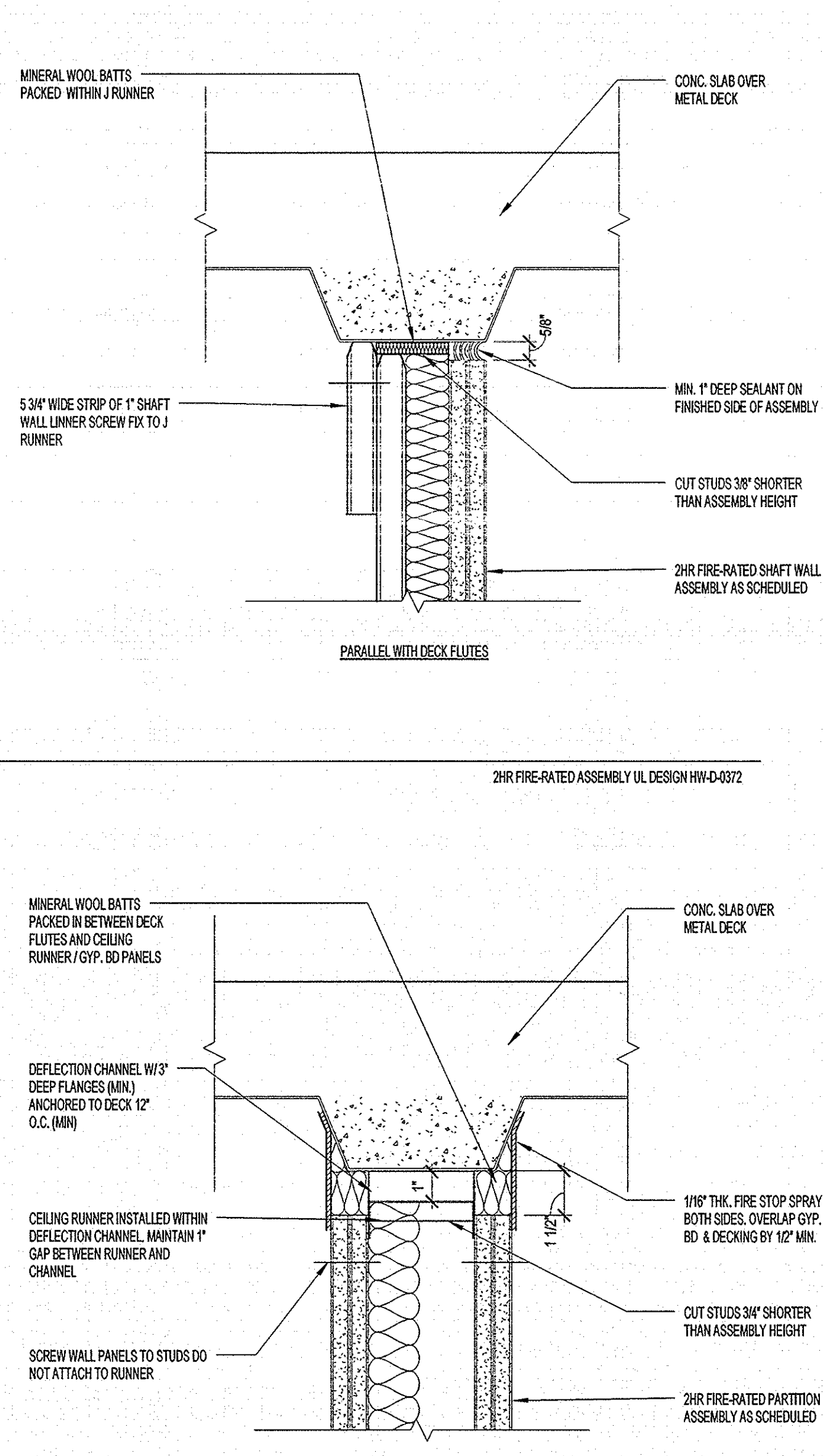
C4 PARTITION HEAD DETAIL
3" x 1'-0"
2 HR FIRE-RATED ASSEMBLY UL DESIGN HW-D-0264



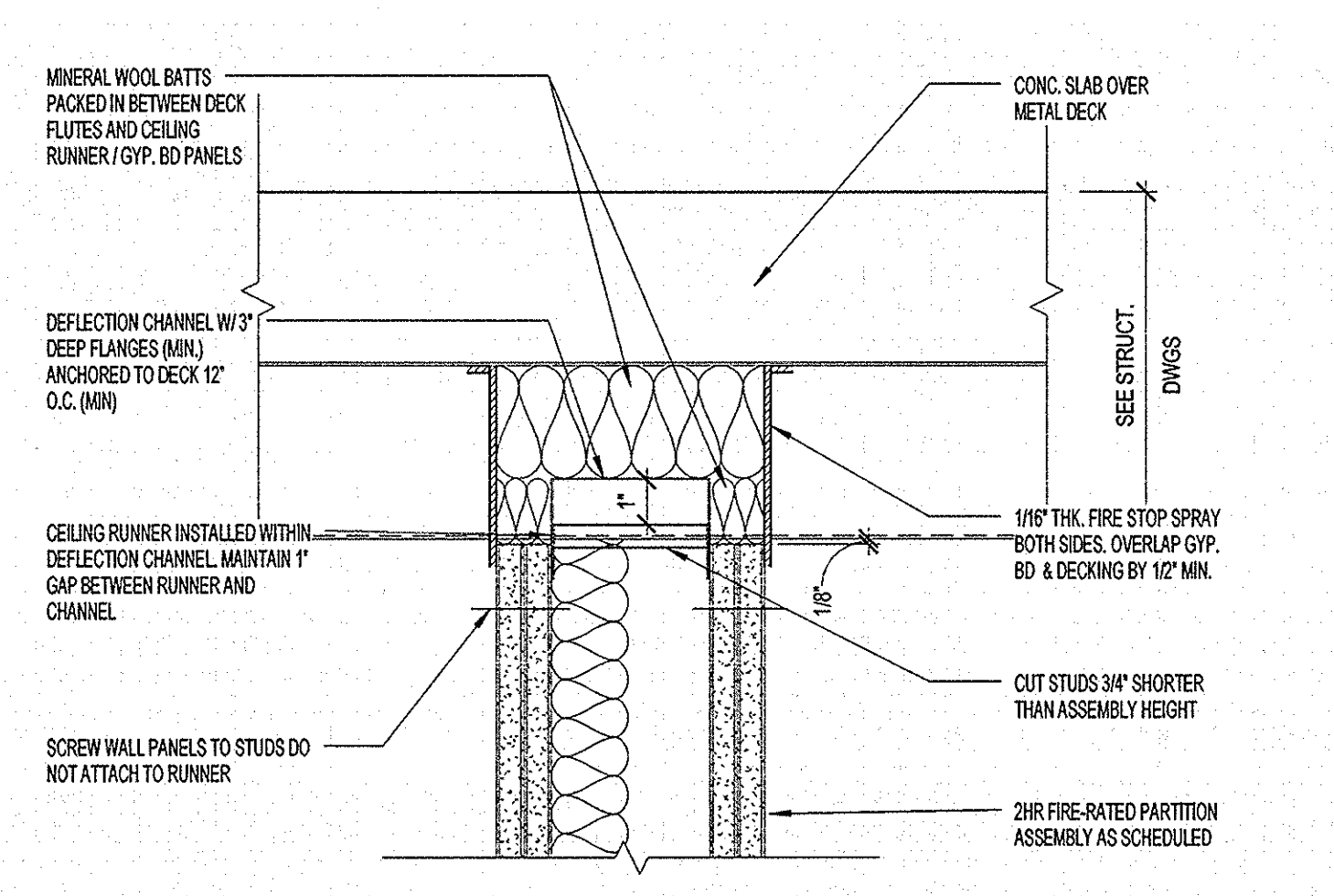
A2 PARTITION HEAD DETAIL
3" x 1'-0"
2 HR FIRE-RATED ASSEMBLY UL DESIGN HW-D-0264



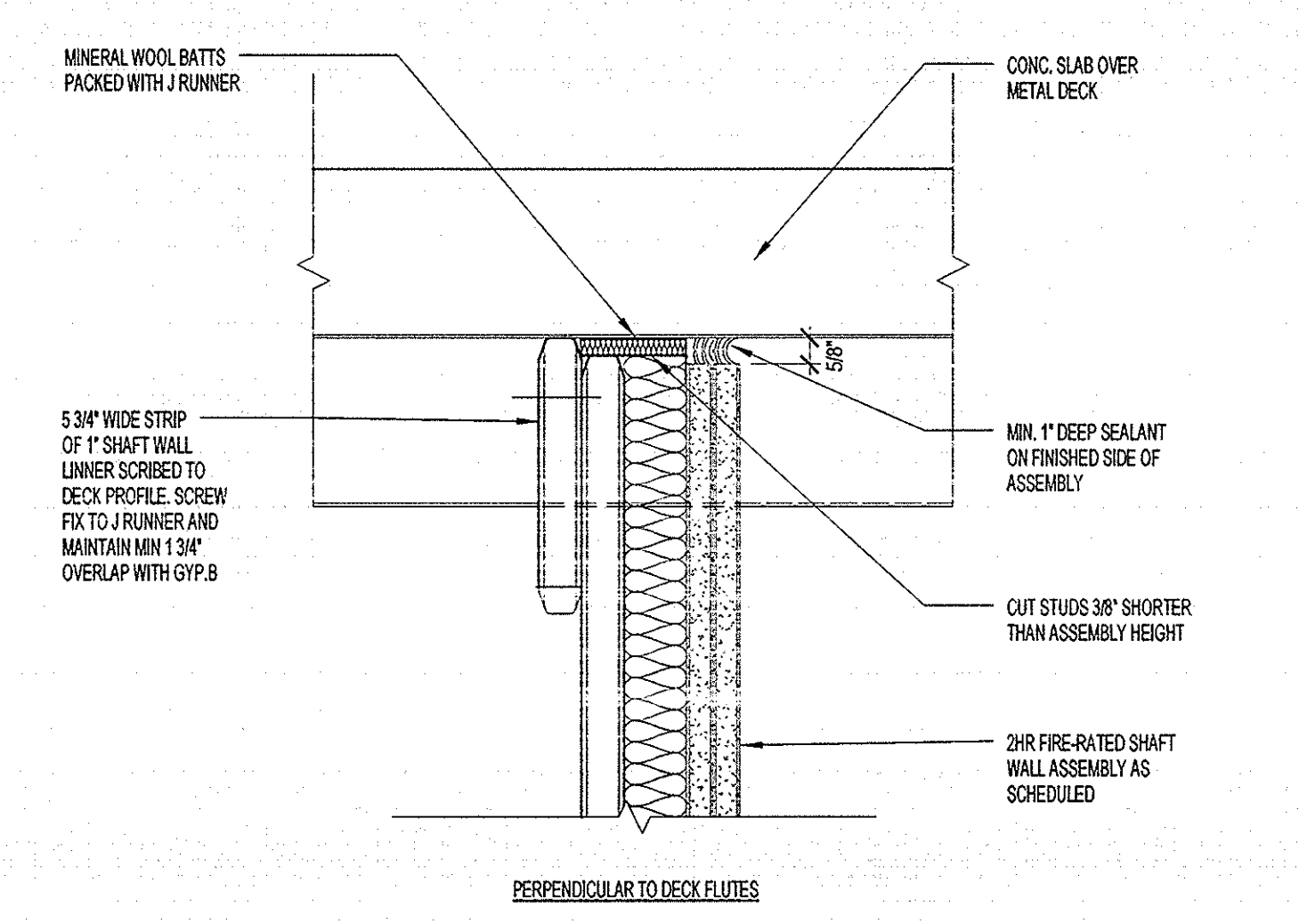
A3 PARTITION HEAD DETAIL
3" x 1'-0"
2 HR FIRE-RATED ASSEMBLY UL DESIGN HW-D-0267



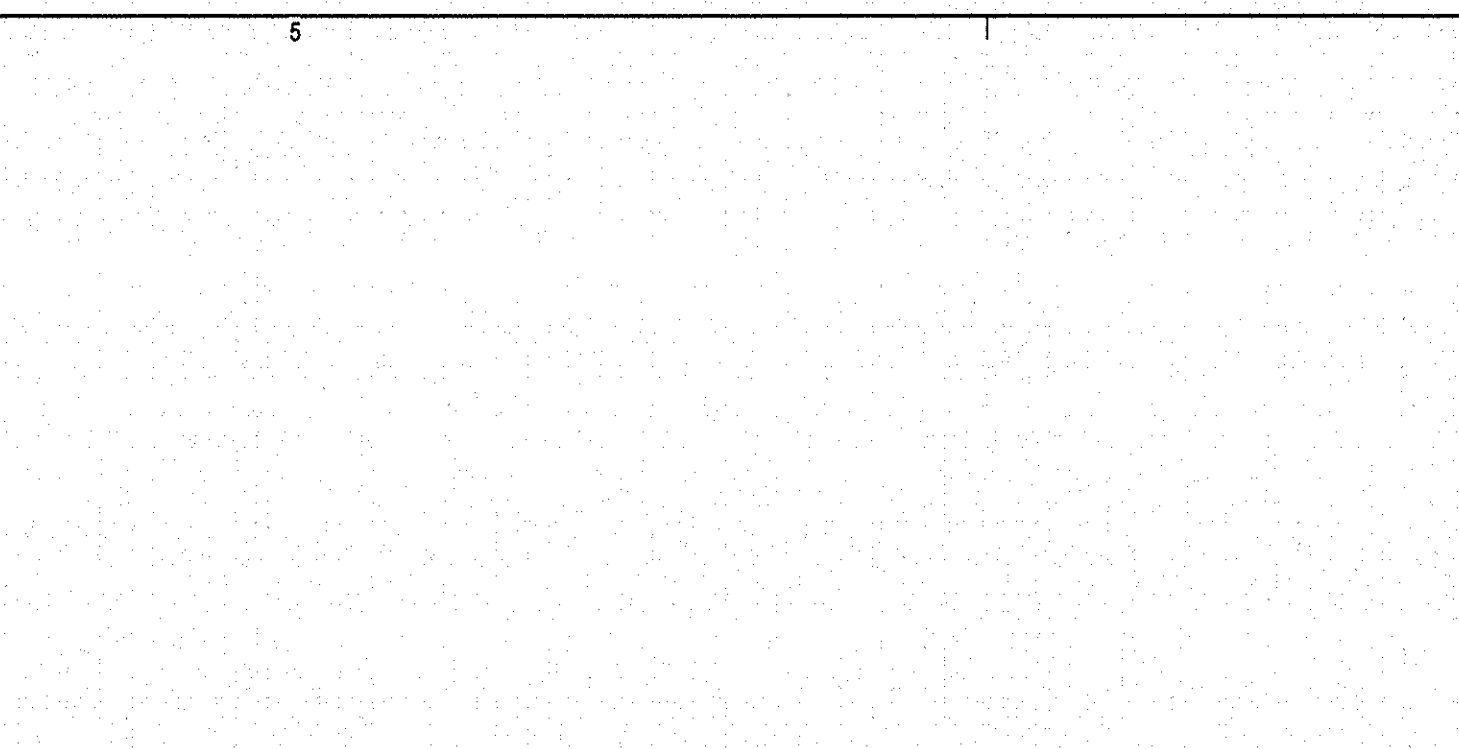
A4 PARTITION HEAD DETAIL
3" x 1'-0"
2 HR FIRE-RATED ASSEMBLY UL DESIGN HW-D-0267



A5 PARTITION HEAD DETAIL
3" x 1'-0"
2 HR FIRE-RATED ASSEMBLY UL DESIGN HW-D-0267



B5 PARTITION HEAD DETAIL
3" x 1'-0"
2 HR FIRE-RATED ASSEMBLY UL DESIGN HW-D-0267



C PARTITION HEAD DETAIL
3" x 1'-0"
2 HR FIRE-RATED ASSEMBLY UL DESIGN HW-D-0267

A0 PARTITION HEAD DETAIL
3" x 1'-0"
2 HR FIRE-RATED ASSEMBLY UL DESIGN HW-D-0267