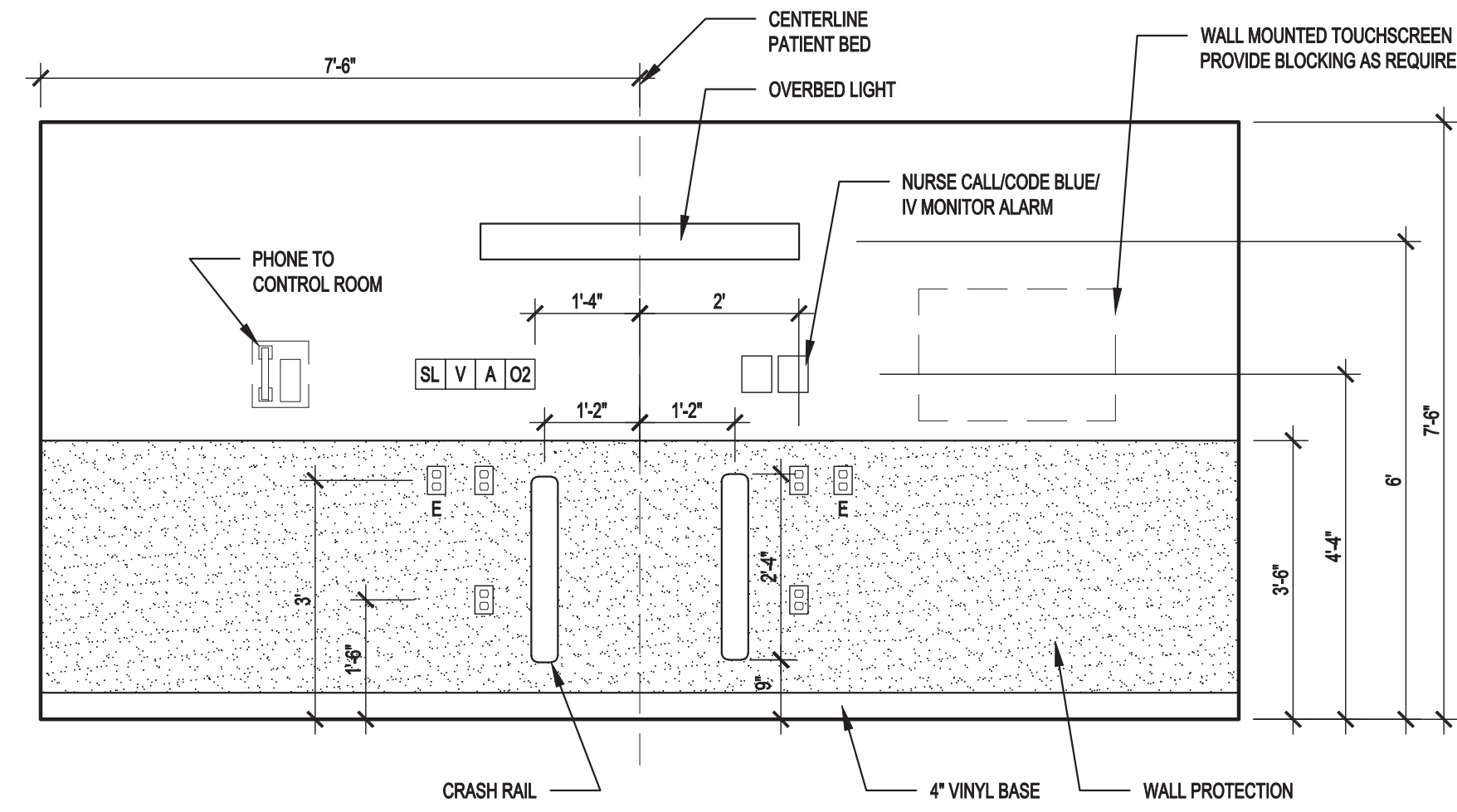
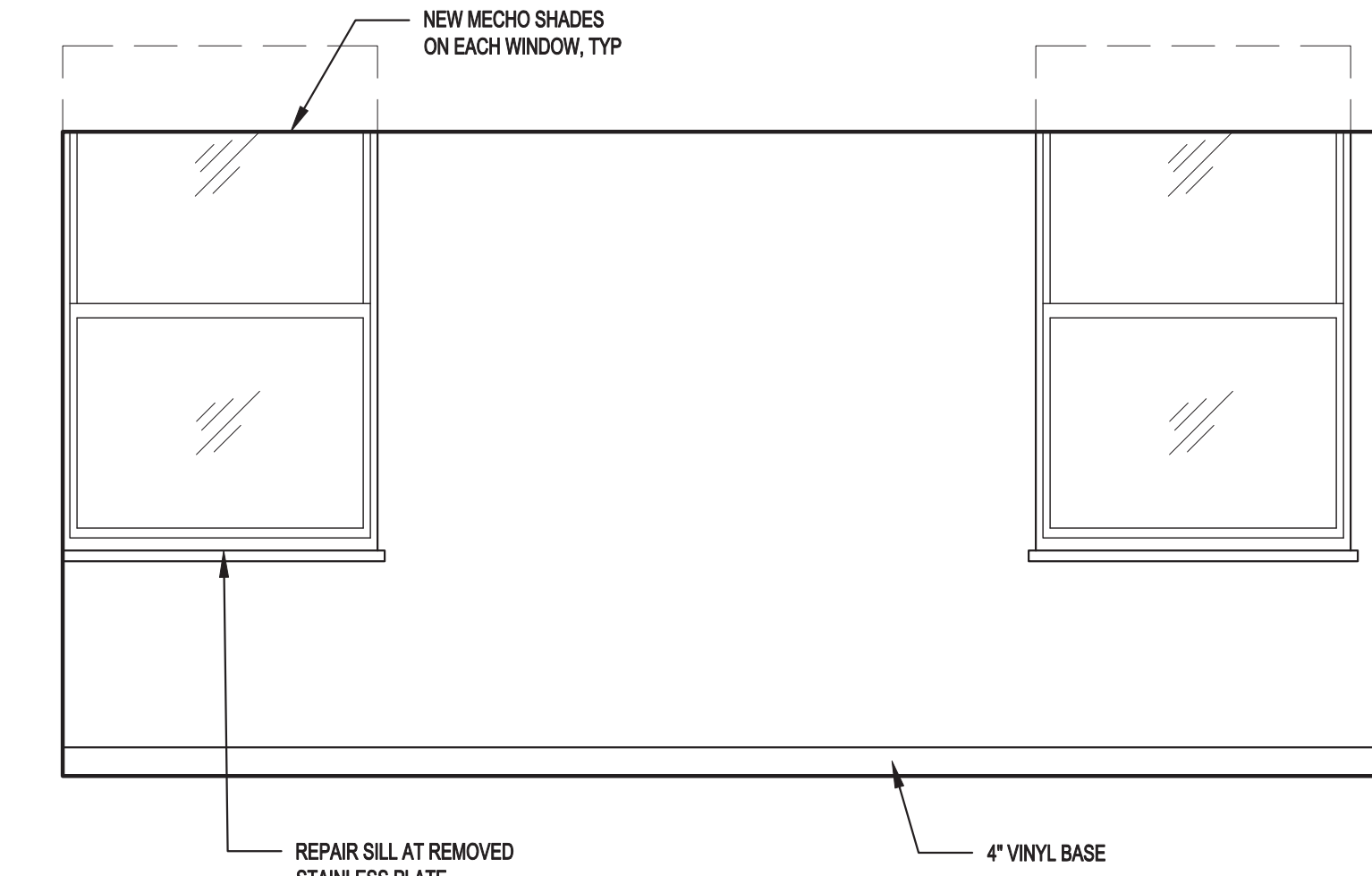


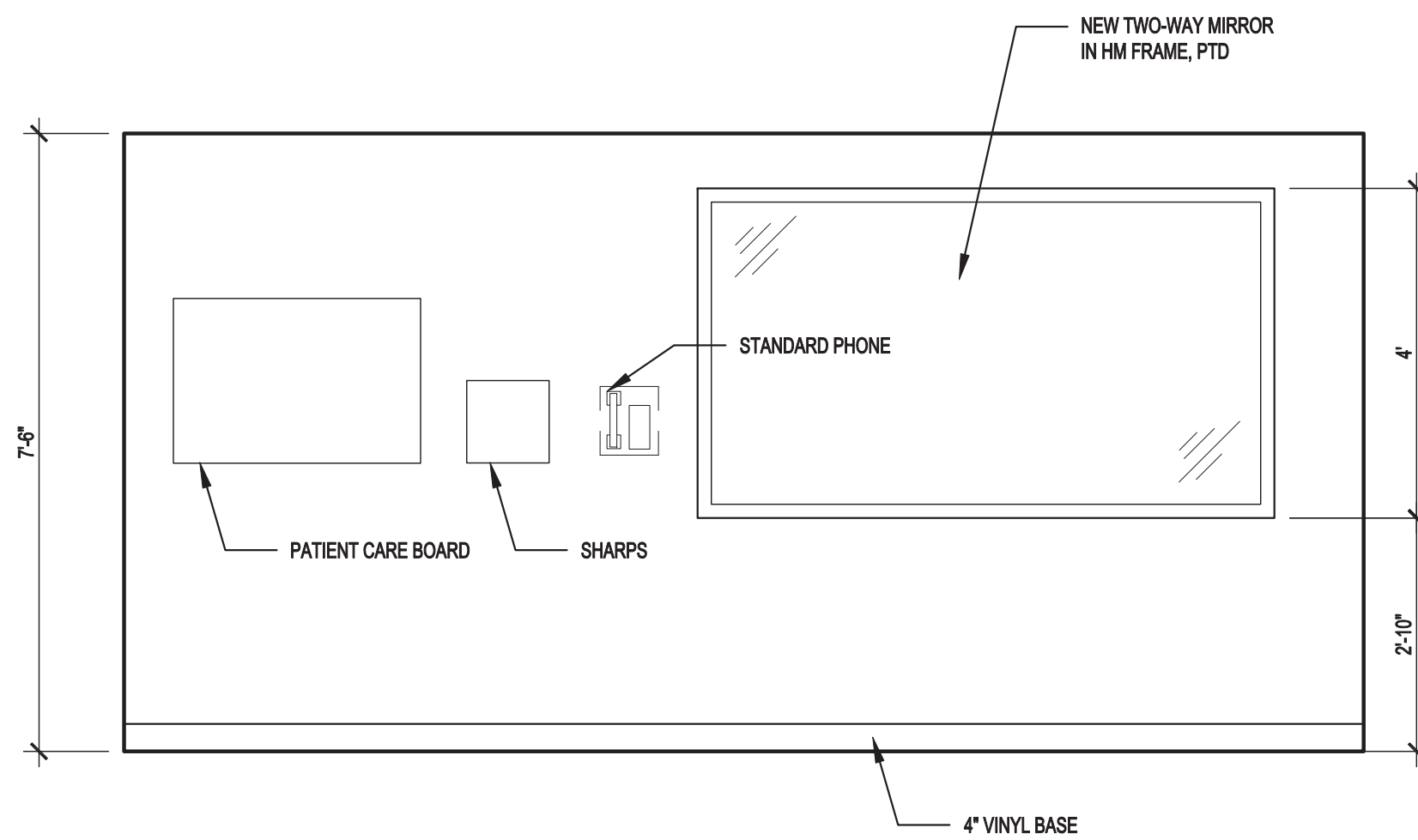
1 INTERIOR ELEVATION
1/2" = 1'-0"



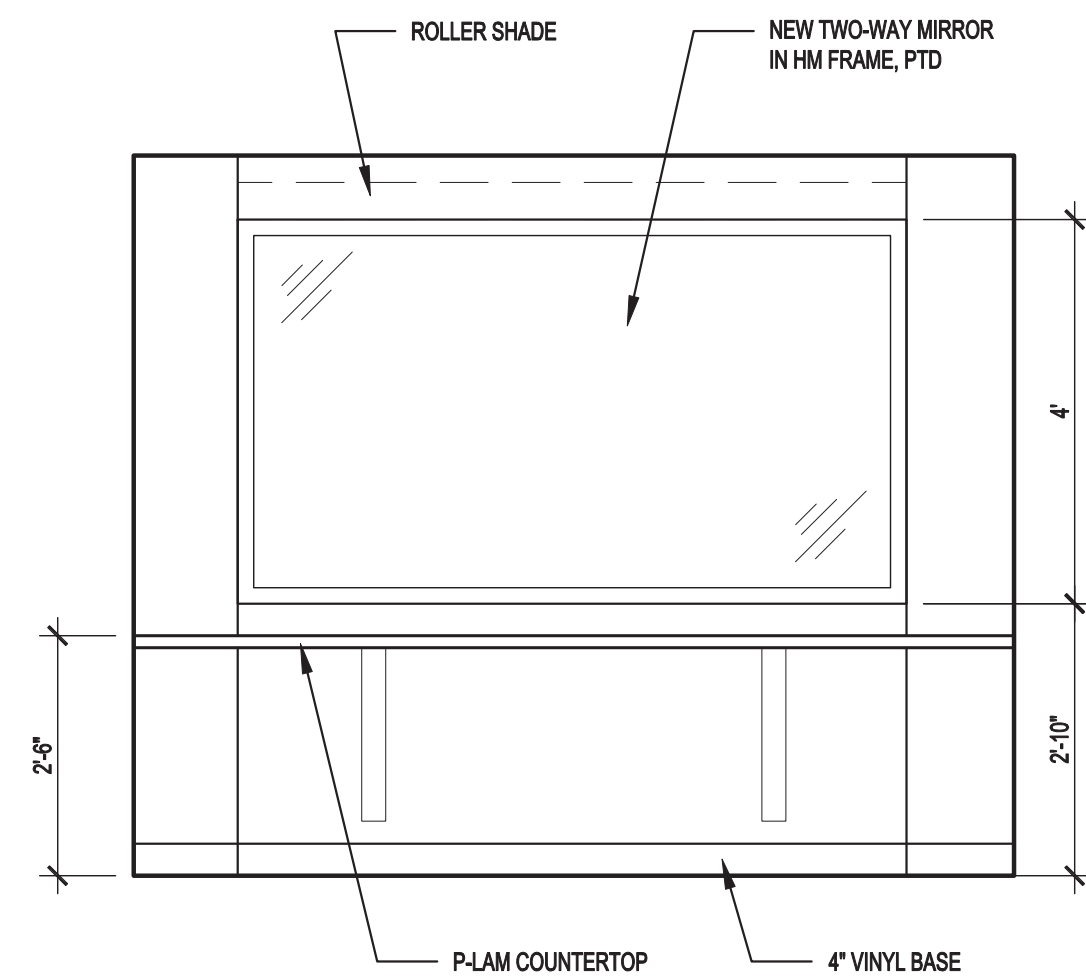
2 INTERIOR ELEVATION AT HEADWALL
1/2" = 1'-0"



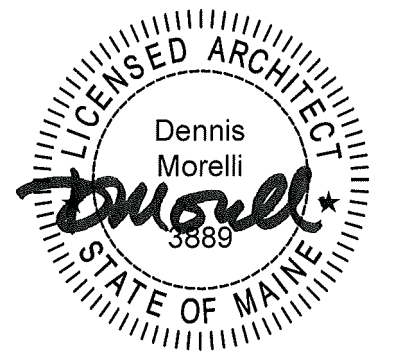
3 INTERIOR ELEVATION AT EXTERIOR WALL
1/2" = 1'-0"



4 INTERIOR ELEVATION AT CONTROL ROOM WALL
1/2" = 1'-0"



5 INTERIOR ELEVATION
1/2" = 1'-0"



**Bramhall Team
Training Facility**

Campus
Bramhall
Building
Pavilion A
Floor
Third

Revisions

No	Revision	Date
1	ADDENDUM 1	7/15/14

Issue	ISSUED FOR PERMIT
Date	4 APRIL 2015
Project #	-
Drawn By	DM
Checked By	DFD

Title

**INTERIOR ELEVATIONS
AND DETAILS**

Sheet

A201