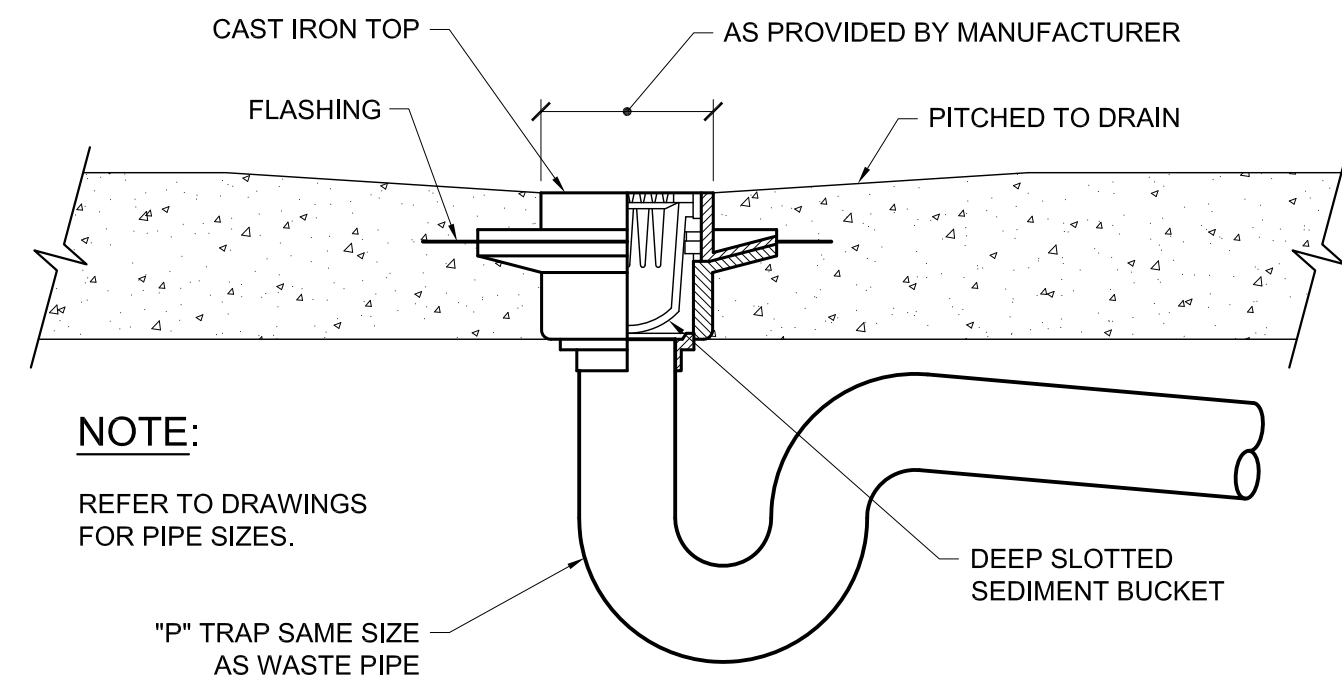
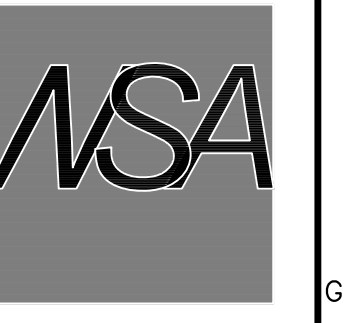


DETAIL ~ THERMOSTATIC MIXING VALE PIPING
(LOCATED UNDER LAB SINK)



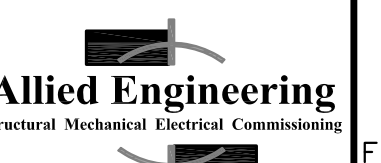
TAG	ITEM	DESCRIPTION	TRIM	ACCESSORIES	BELOW SINK PIPE GUARDS	BRANCH SIZES				NOTES
						CW	HW	WASTE	VENT	
P-1	BEDSIDE PATIENT CARE UNIT - 40" WIDE	WHITE-HALL MANUFACTURING "VERSALETTE 4047"; "CNCTL" CORIAN COUNTERTOP WITH INTEGRAL LAV	"SO - SENSOR OPERATED FAUCET WITH "LFN" LAMINAR FLOW NOZZLE. "HET" - 1.28 GPF FLUSH VALVE WITH "FCF" INFECTIOUS CONTROL FLUSH	BEDPAN WASHER WITH VACUUM BREAKER, AND "BWD" BEDPAN WASHER DRAIN	----	1"	----	3"	2"	1
P-2	BEDSIDE PATIENT CARE UNIT, ADA - 58-7/8" WIDE	WHITE-HALL MANUFACTURING "VERSALETTE 4048"; CORIAN COUNTERTOP WITH INTEGRAL LAV	"SO - SENSOR OPERATED FAUCET WITH "LFN" LAMINAR FLOW NOZZLE. "HET" - 1.28 GPF FLUSH VALVE WITH "FCF" INFECTIOUS CONTROL FLUSH	BEDPAN WASHER WITH VACUUM BREAKER, AND "BWD" BEDPAN WASHER DRAIN	----	1"	----	3"	2"	1
P-3	HAND WASH STATION	CORIAN SINK INSTALLED BY ARCHITECTURAL MILLWORK	SLOAN SOLIS EAF-275-EAF-53 FAUCET, WITH 0.5GPM LAMINAR OUTLET	GUARDIAN G5022 EYEWASH STATION WITH LEONARD TA-300 TMV	REMOVABLE PANEL - SEE ARCH PLANS	3/8"	3/8"	1 1/2"	1 1/2"	
P-4	ADA LAVATORY - WALL	AMERICAN STANDARD LUCERNE 0355.012, 20.5" X 18.25", WHITE	CHICAGO FAUCET 895-317CP	CONCEALED ARMS SUPPORT ADA PIPE TRIM KIT	ADA PIPE TRIM KIT	1/2"	1/2"	1 1/2"	1 1/2"	
P-5	ADA FLOOR MOUNT WATER CLOSET	A.S. PRILO FLOWISE, FLOOR MOUNTED, REAR OUTLET, 16.5" RIM HEIGHT	SLOAN SOLIS 8111-1.28 SENSOR/SOLAR FLUSH VALVE		----	1"	----	3"	2"	
P-6	ADA SHOWER	SHOWER STALL BE TILE CONTRACTOR	SYMMONS TEMPITROL-II SHOWER SYSTEM WITH HAND SPRAY, MODLE 25-500-B30-V-X, INTEGRAL SERVICE STOPS; ADA COMPLIANT	PROVIDE TWO (2) FLOOR DRAINS, ONE INSIDE SHOWER AND ONE OUTSIDE; ZURN Z414BZ	----	1/2"	1/2"	(2) 2"	(2) 1 1/2"	1
P-7	ICE & WATER DISPENSER	PROVIDE ROUGH INS	----	WATER FILTER: HOSHIZAKI H9320-51 WITH E-10 PRE-FILTER	----	1/2"	----	3/4"	----	
P-7	FLOOR DRAIN, ICE MAKER	----	----	ZURN Z414BZ	----	----	----	1 1/2"	1 1/2"	
P-8	SINGLE BOWL SS SINK	ELKAY LR-1716; 7-5/8" DEEP	CHICAGO FAUCET 895-317GN2AE36ABCP, 1.5 GPM LAMINAR OUTLET, 4" WRISTBLADES, 5.25" GOOSENECK		REMOVABLE PANEL - SEE ARCH PLANS	1/2"	1/2"	1 1/2"	1 1/2"	
P-9	SINGLE BOWL SS SINK	ELKAY LR-1517; 7-5/8" DEEP	CHICAGO FAUCET 895-317GN2AE36ABCP, 1.5 GPM LAMINAR OUTLET, 4" WRISTBLADES, 5.25" GOOSENECK	GUARDIAN G5022 EYEWASH STATION WITH LEONARD TA-300 TMV	REMOVABLE PANEL - SEE ARCH PLANS	1/2"	1/2"	1 1/2"	1 1/2"	

NOTES:
1. LAY OUT AND CONFIRM BOTTOM WASTE ROUGH IN LOCATION - CHECK FOR CONFLICTS WITH STRUCTURE BELOW. PROVIDE WALL OUTLET IF NEEDED.



Winton Scott Architects
5 Milk Street
Portland, Maine 04101
207 774 4811
www.wintonsscott.com

Architecture / Planning
Preservation Architecture
Interior Architecture



168 Verona Street
Portland, Maine 04103
1-207-221-2266
F-207-221-2266
Web: www.allied-eng.com

REVISIONS	DESCRIPTION	NUMBER	DATE	BY

Date: _____
Drawn By: SCL
Checked By: IAM
Project Mgr: _____
Project No: _____
Cad File: 14014_M.DWG
Graphic Scale: 0
Scale: 1"

PLUMBING SCHEDULES, DETAILS AND NOTES

R6 Intermediate Care Unit
Richards Wing Sixth Floor
PORTLAND MAINE
© copyright 2015 Allied Subcontractors, Inc.

PL-500

PERMIT SET ~ 03 APRIL 2015 - NOT FOR CONSTRUCTION

N:\Projects\2014\14014 ~ MMC R6 2014 Intermediate Care Unit\00 Drawing Files\14014_P.dwg Apr 03, 2015 - 2:06pm

A1 DETAILS ~ PLUMBING
NONE

A5 PLUMBING ~ SCHEDULES
NONE