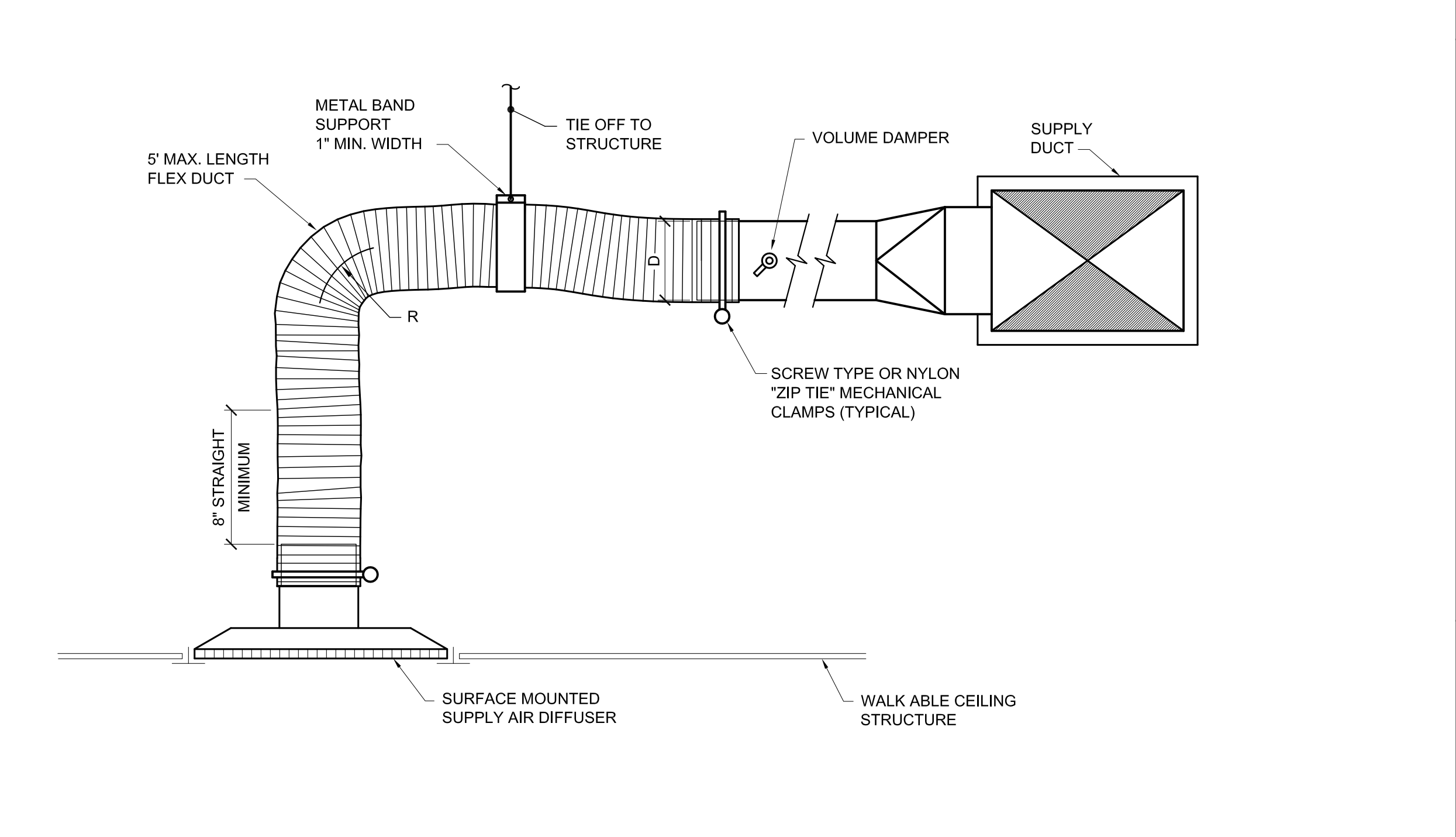
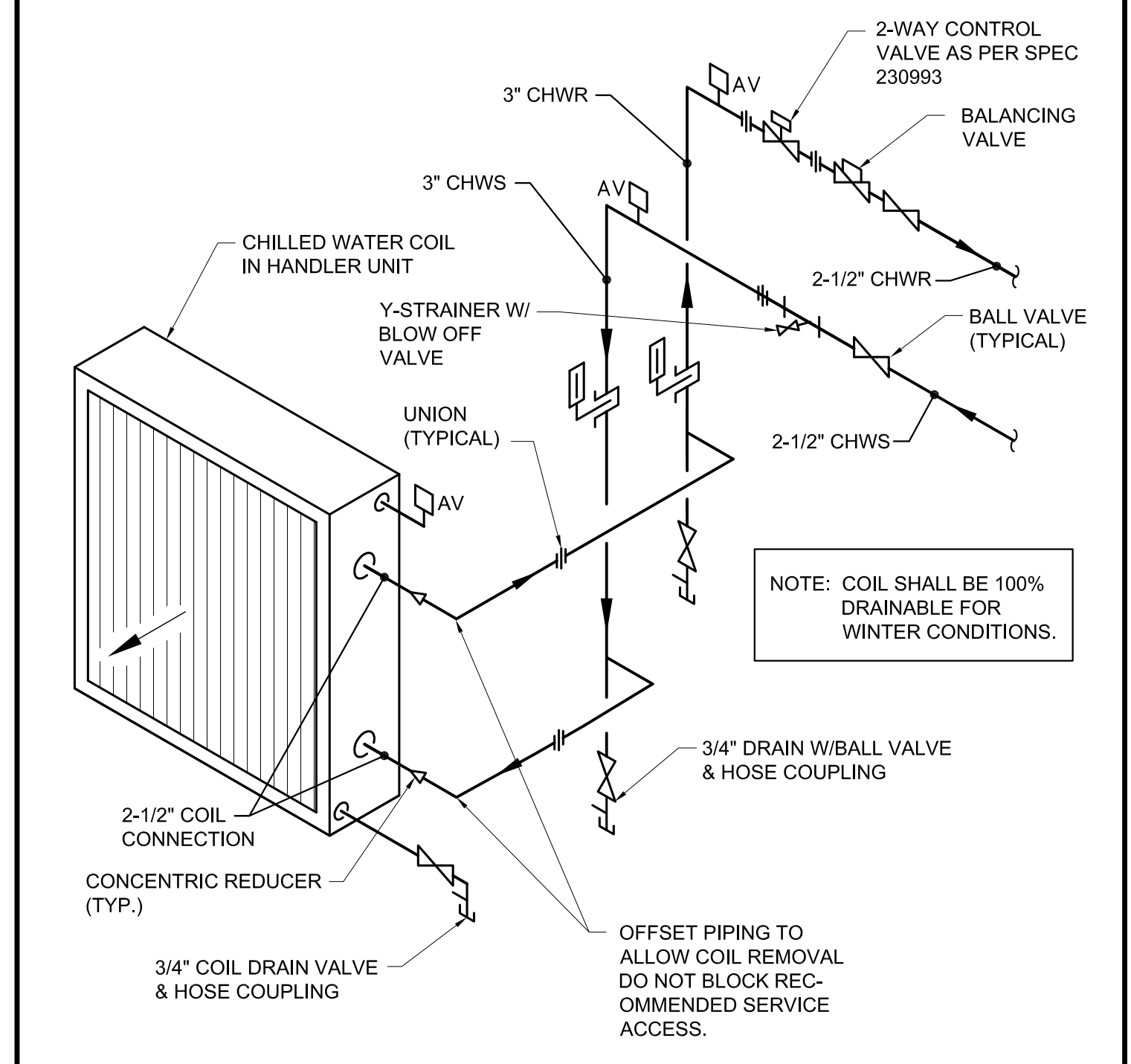
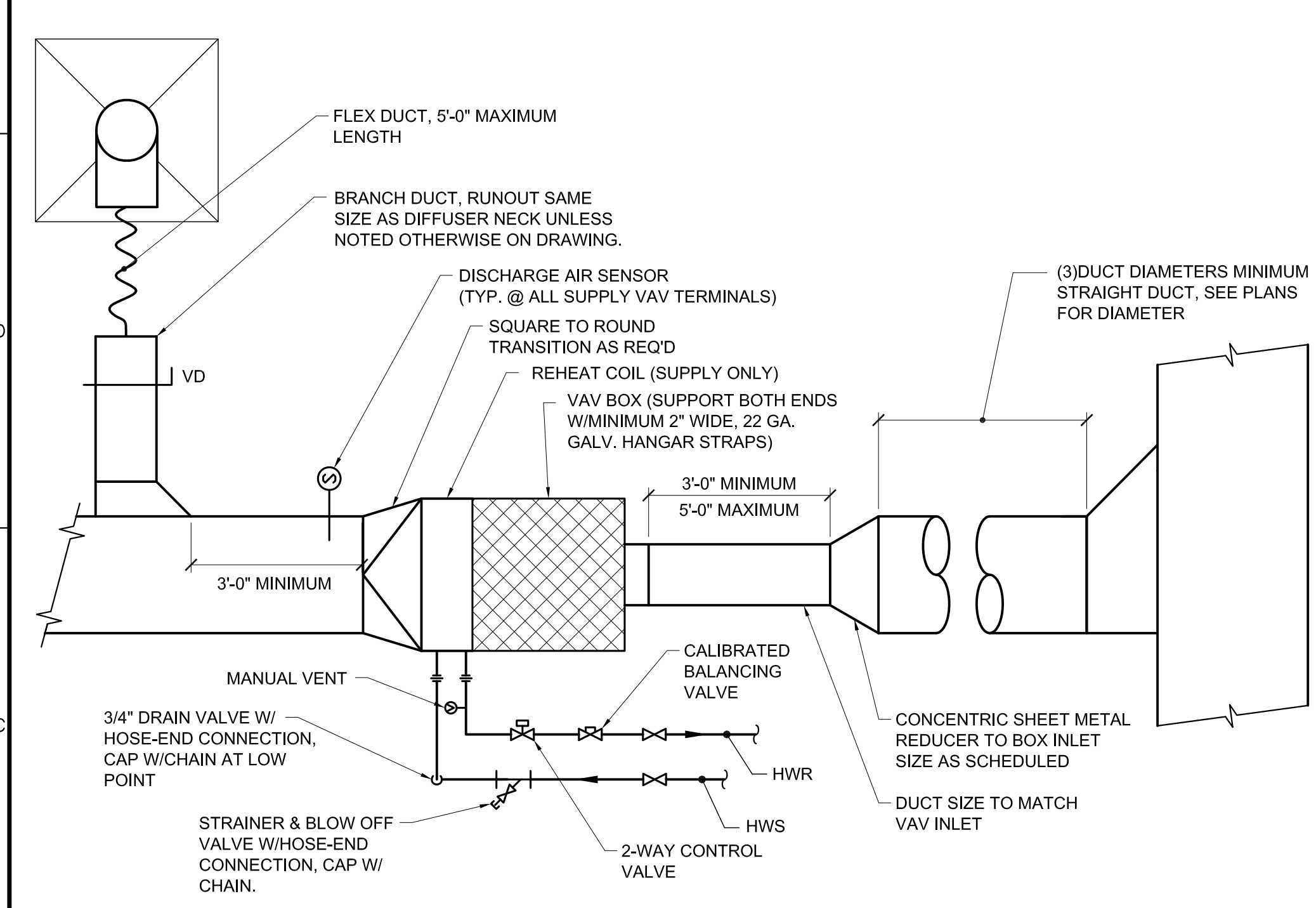


E1 DETAIL ~ STEAM COIL PIPING
NONE

E4 DETAIL ~ SECTION THRU TYPICAL FIRE DAMPER
NONE

E7 DETAIL ~ ROUND AND SQUARE BRANCH TAKE-OFF FITTINGS
NONE

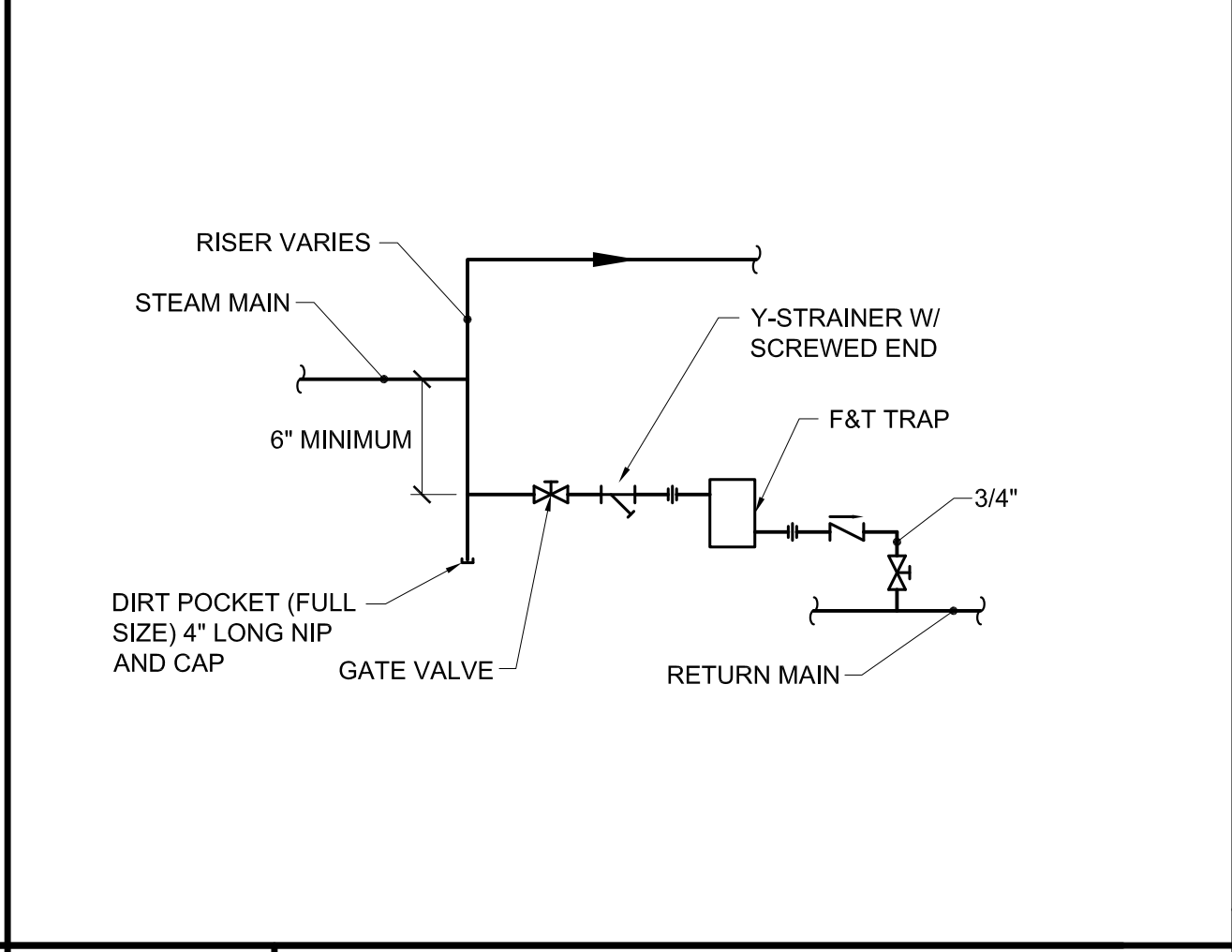
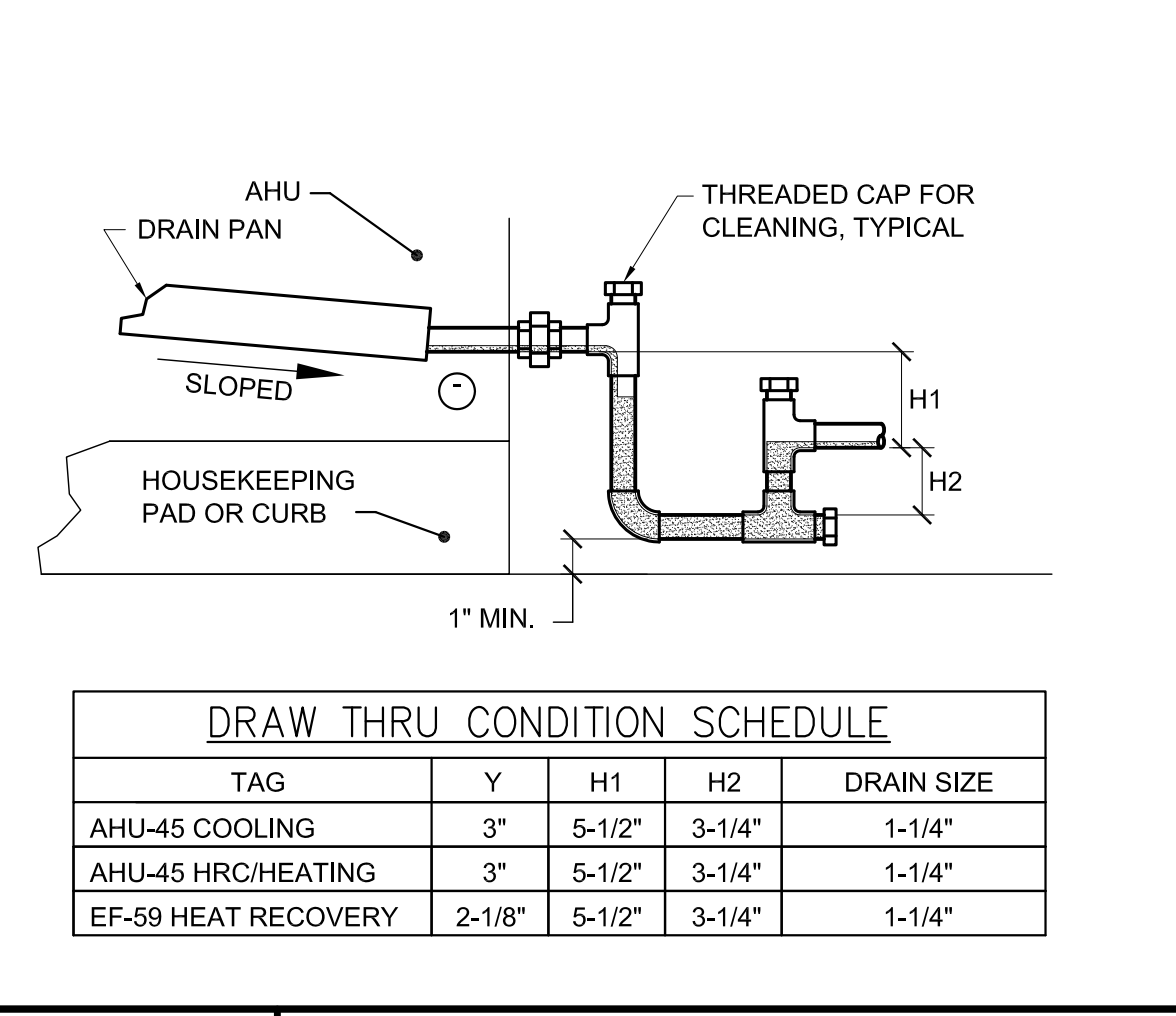
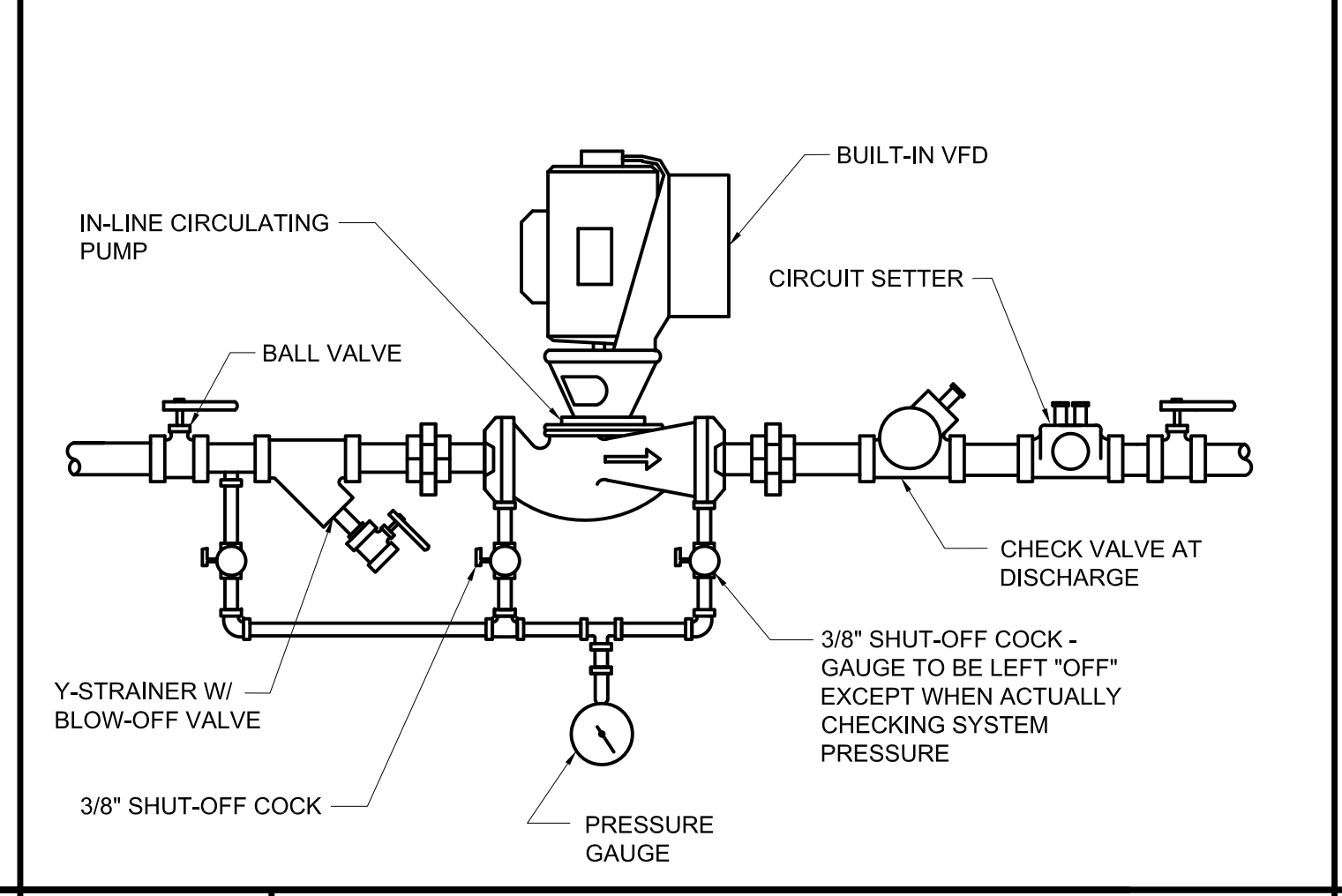
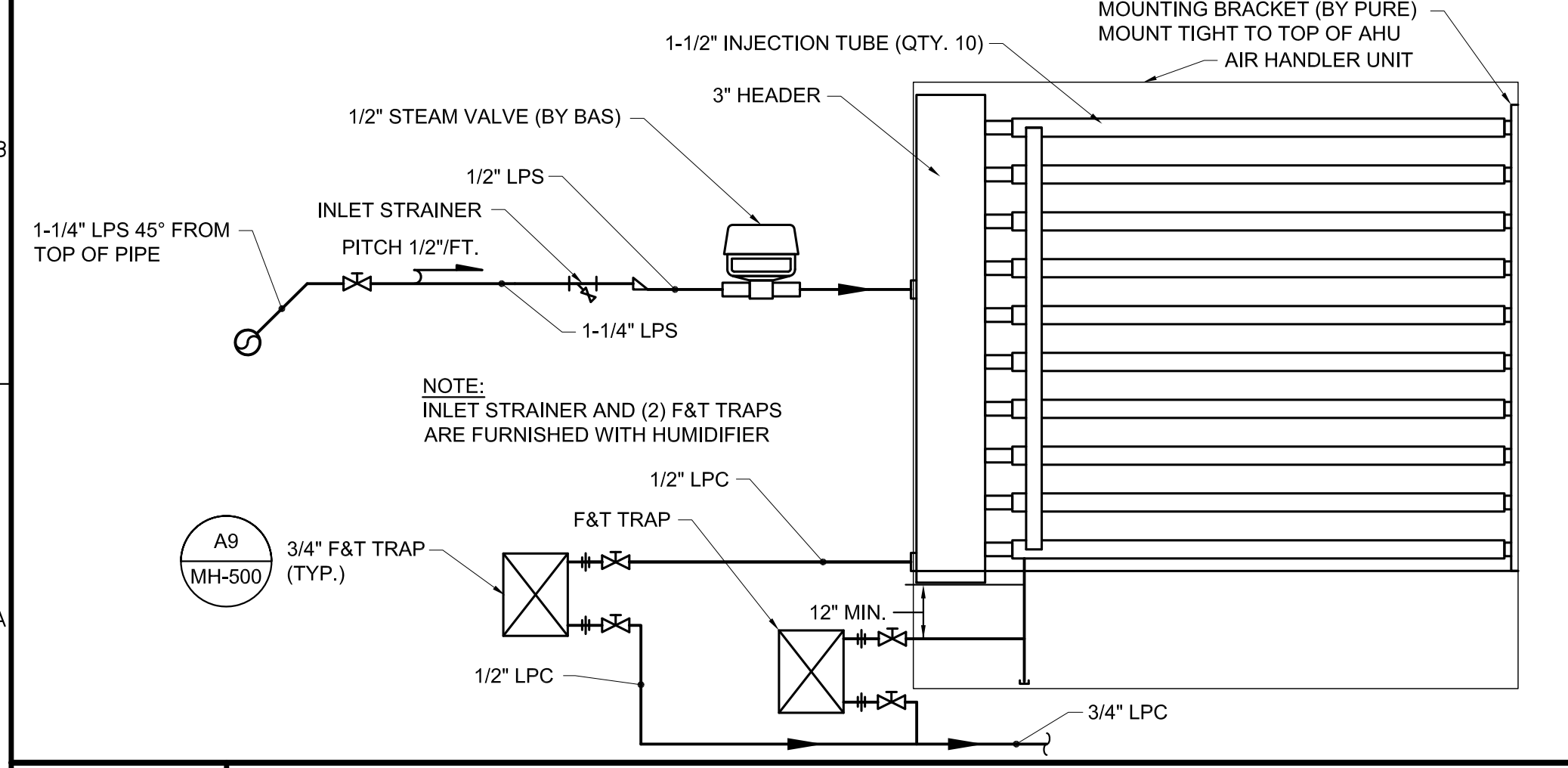
E9 DETAIL ~ RETURN AIR REGISTER BOOT
NONE



C1 DETAIL ~ VAV BOX SCHEMATIC
NONE

C4 DETAIL ~ CHILLED WATER COOLING COIL PIPING
NONE

C7 DETAIL ~ SUPPLY AIR BRANCH CONNECTION
NONE



A1 DETAIL ~ HUMIDIFIER PIPING DETAIL
NONE

A4 DETAIL ~ CIRCULATING PUMP PIPING
NONE

A4 DETAIL ~ CONDENSATE PIPING
NONE

A9 DETAIL ~ STEAM DRIP PIPING
NONE

WSA
 Winton Scott Architects
 5 Milk Street
 Portland, Maine 04101
 207 774 4811
 www.wintonscott.com

Architecture / Planning
 Preservation Architecture
 Interior Architecture

Allied Engineering
 Structural Mechanical Electrical Commissioning
 168 Vermont Street
 Portland, Maine 04103
 1-207-231-2266
 E-207-231-2266
 Web: www.allied-eng.com

REVISIONS

NUMBER	DATE	BY	DESCRIPTION

MECHANICAL DETAILS AND NOTES

R6 Intermediate Care Unit
 Richards Wing Sixth Floor
 PORTLAND, MAINE

MH-500

PERMIT SET ~ 03 APRIL 2015 - NOT FOR CONSTRUCTION

N:\Projects\2014\14014 - Intermediate Care Unit\00 Drawing Files\14014_M.dwg Apr 03, 2015 - 2:14pm
 Drawn By: SCL
 Checked By: IAM
 Project Mgr:
 Cad File: 14014_M.DWG
 Graphic Scale: 0