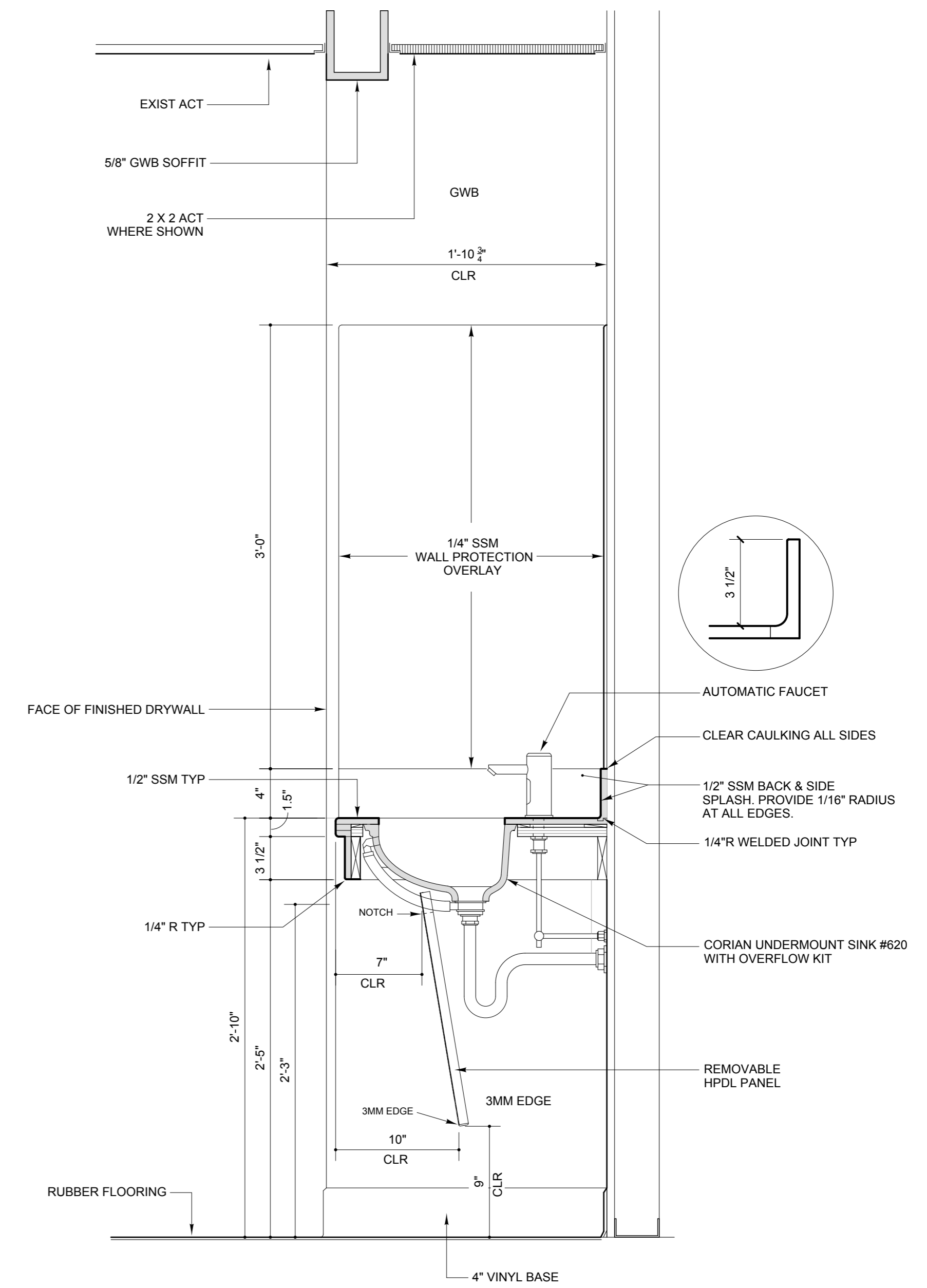
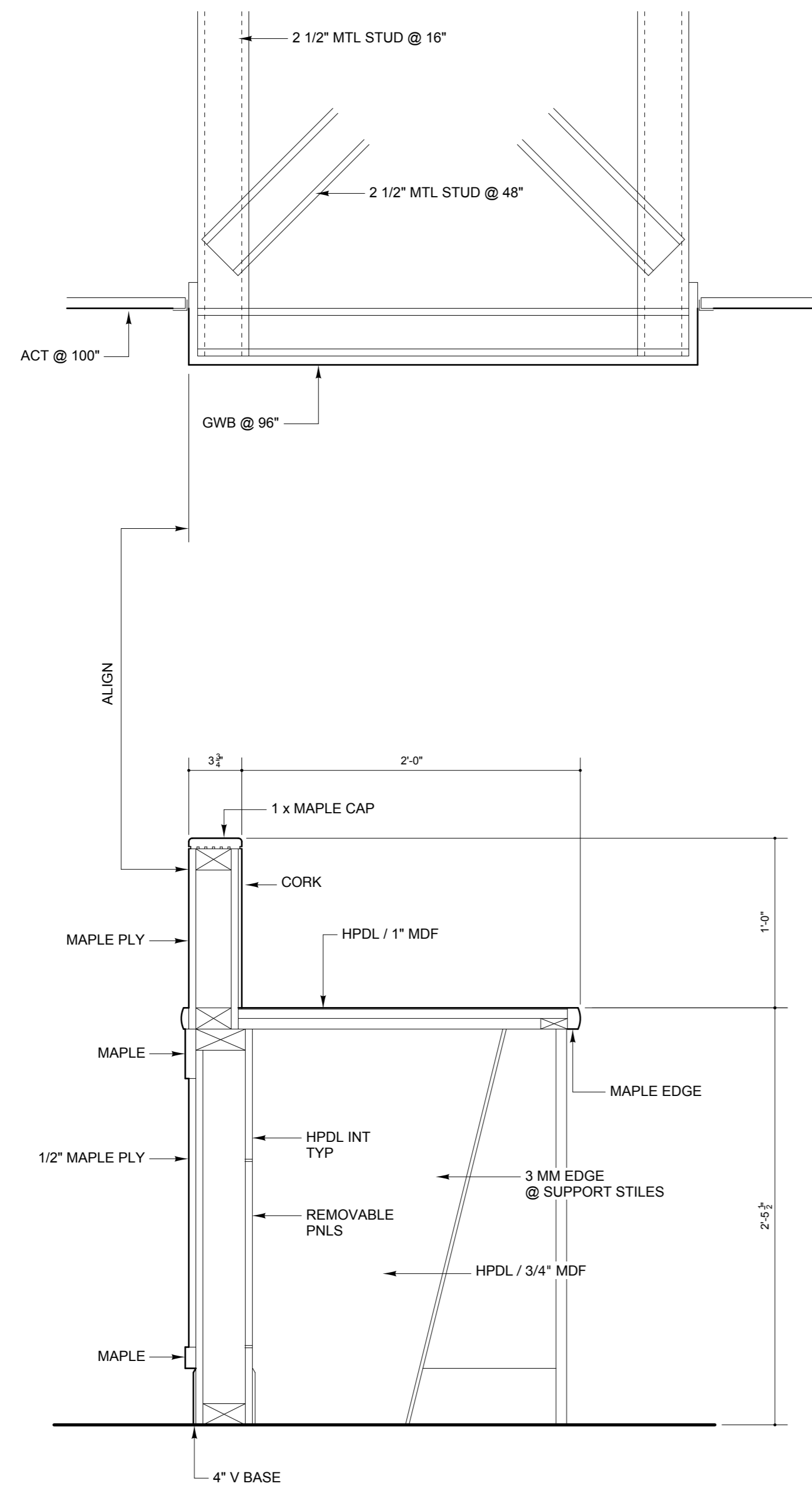


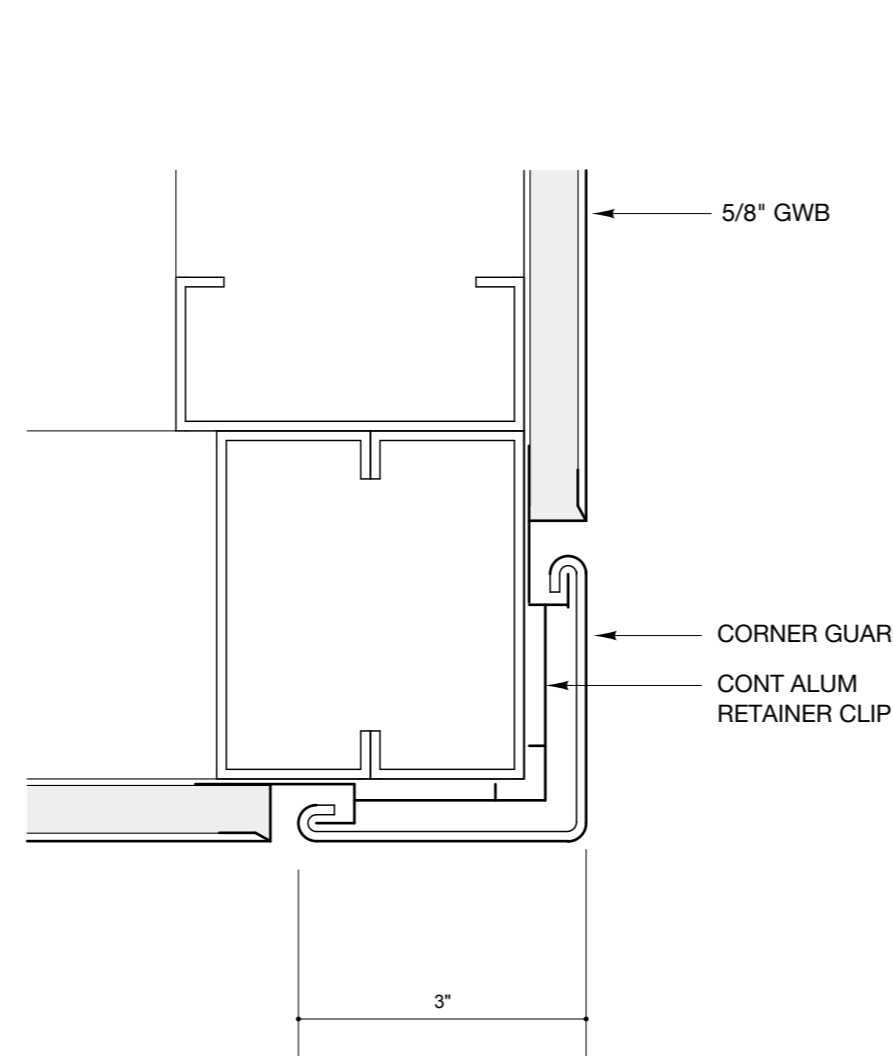
**A Hand Wash Station Plan**  
SCALE: 1 1/2" = 1'-0" (2) THUS



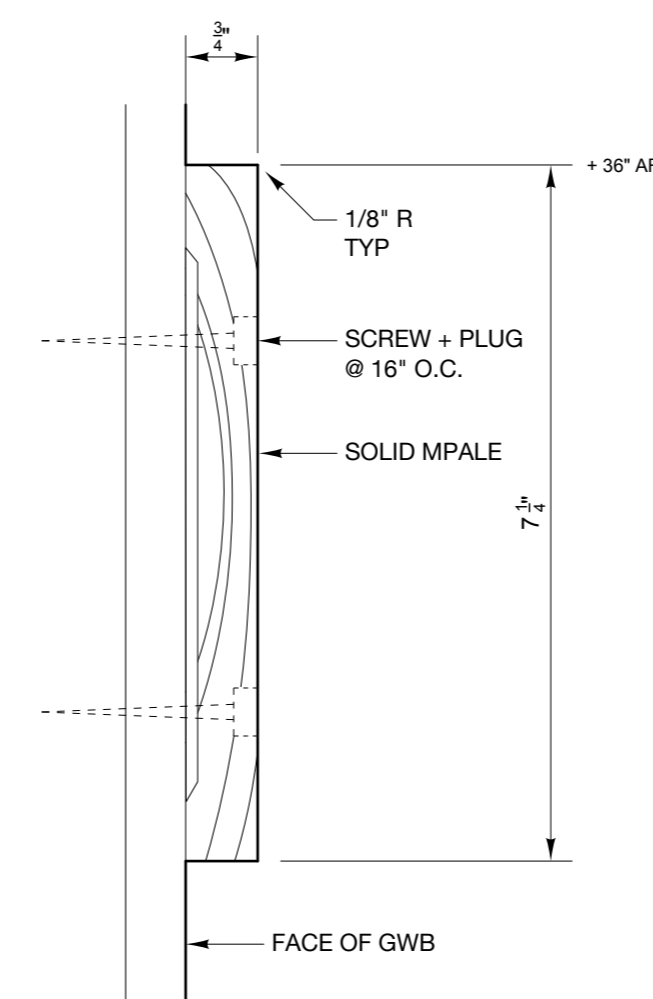
**B Handwash Station Section**  
1 1/2" = 1'-0" NOTE: PROVIDE 1/16" RAD. AT ALL EXPOSED CORIAN EDGES UNLESS NOTED OTHERWISE.



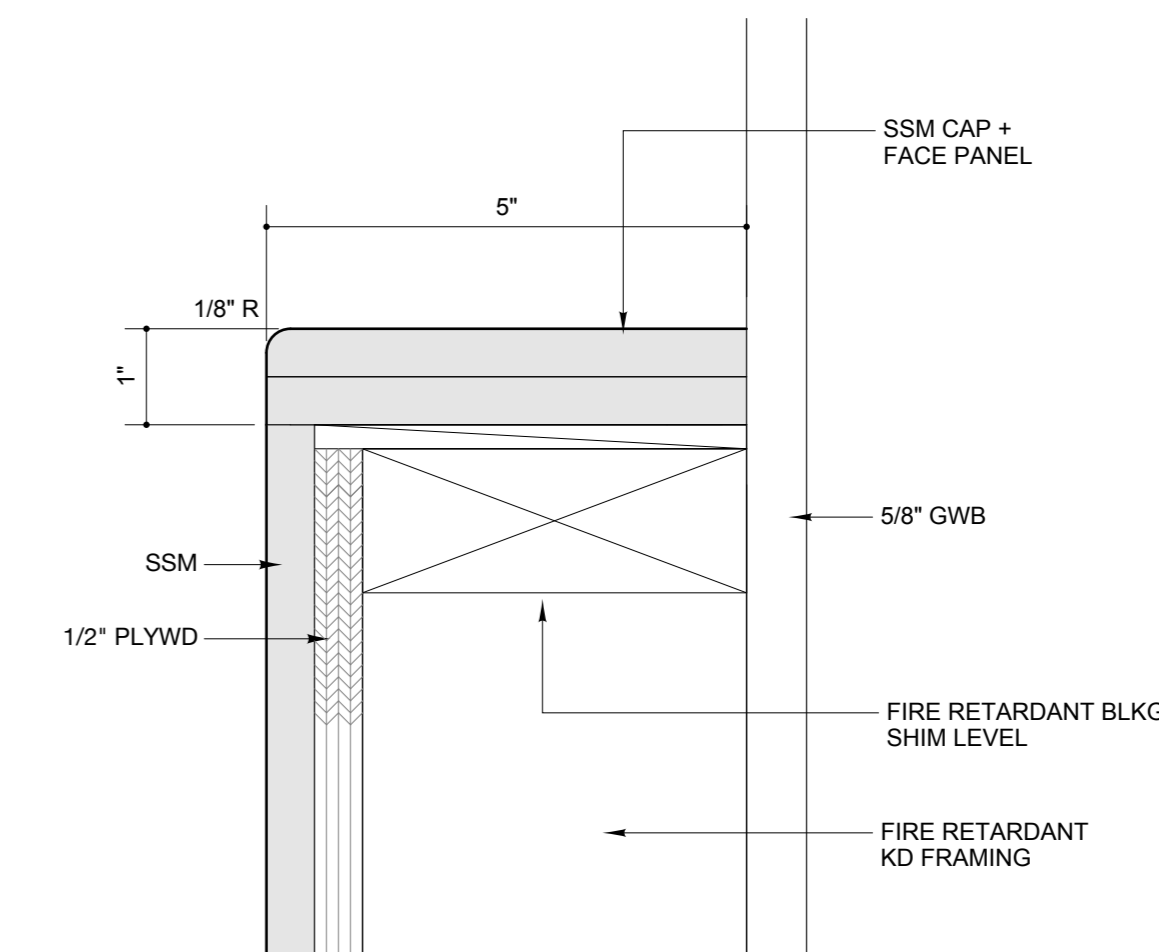
**1 COUNTER SECTION**  
ROOM 6103



**2 PLAN DTL CORNER GUARD CG-1**  
6" = 1'-0"



**3 SECTION MAPLE WALL GUARD**  
6" = 1'-0"



**4 SECTION SSM WALL CAP**  
6" = 1'-0"

PROVIDE GLUED + NAILED BACKMITERED WALL RETURNS AT AND OUTSIDE CORNERS