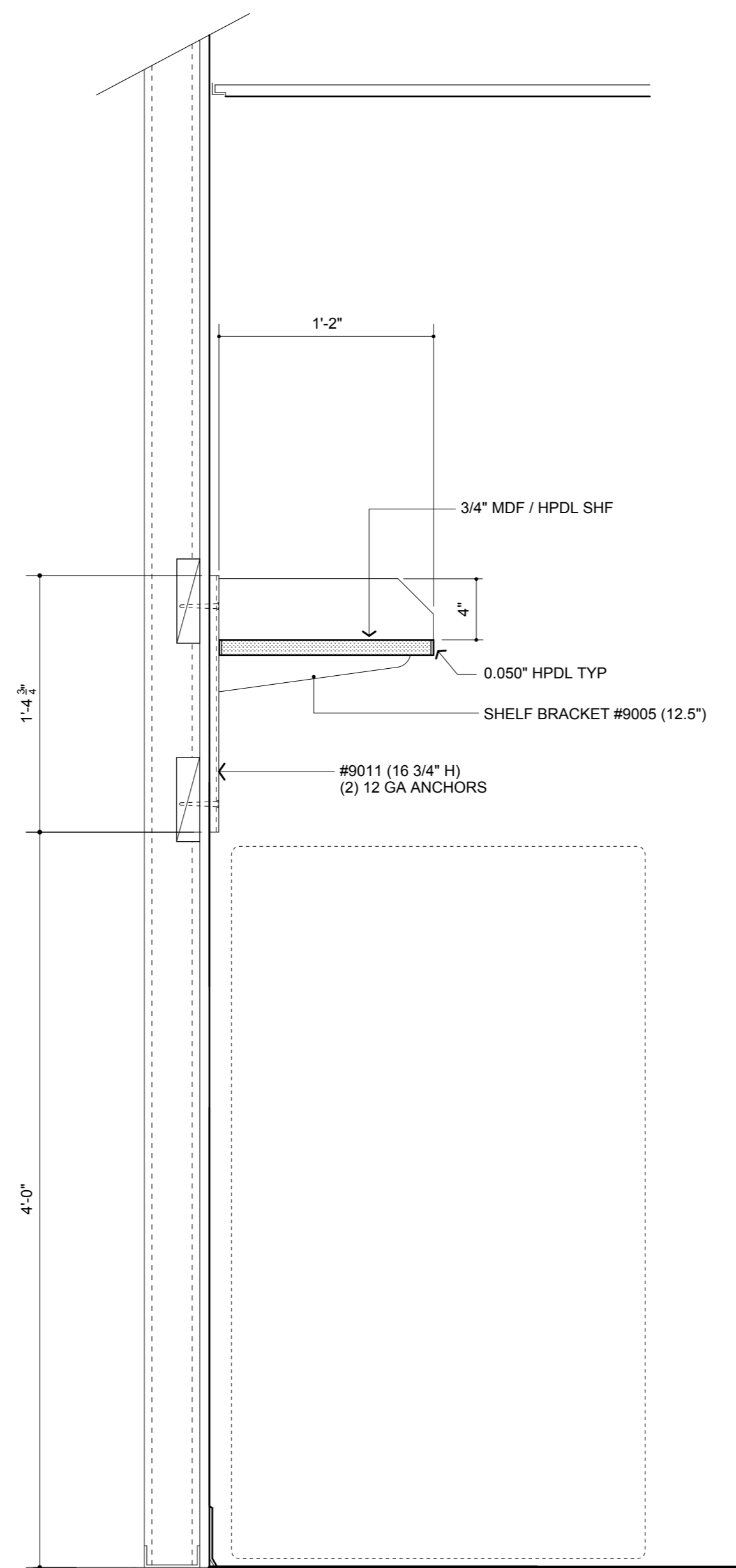


1 ADJUSTABLE SHELVING TYPE AW-1
1 1/2" = 1'-0"

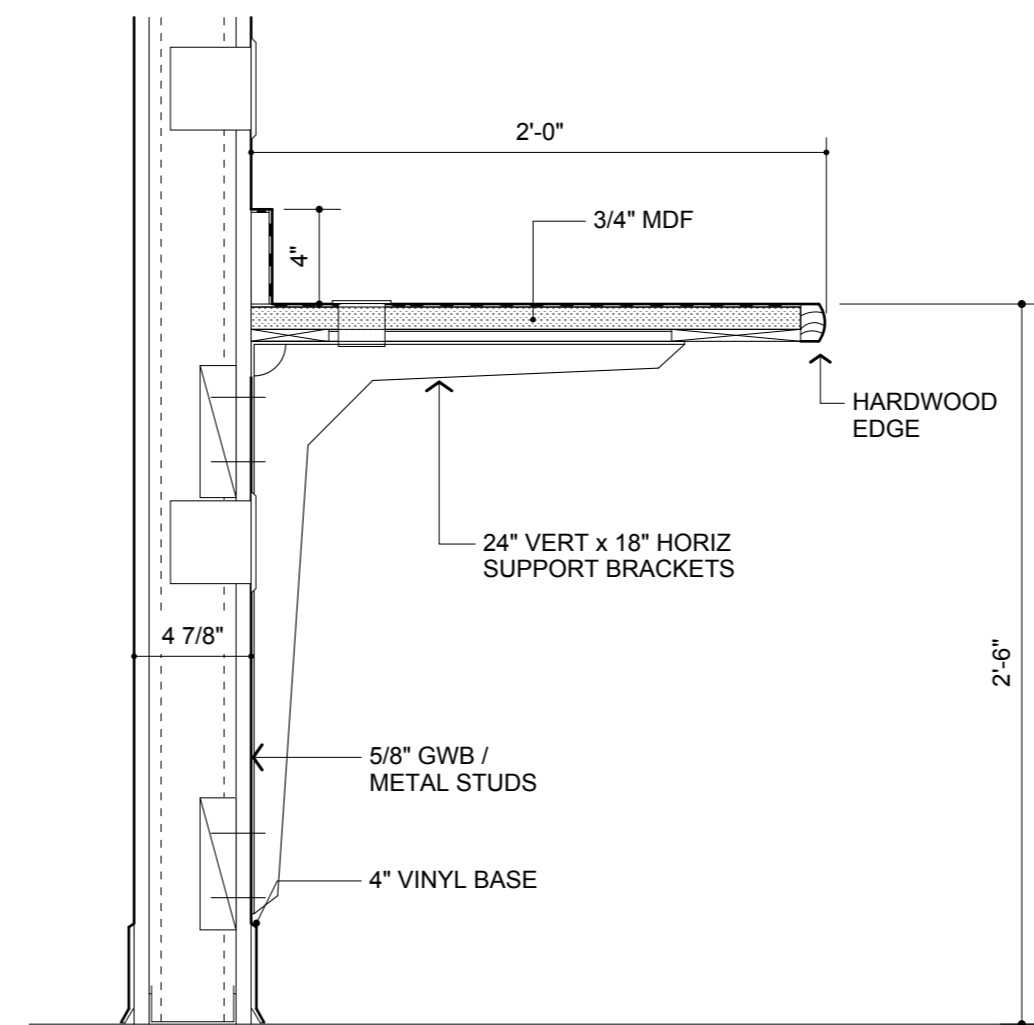


2 ADJUSTABLE SHELVING TYPE AW-2
1 1/2" = 1'-0"

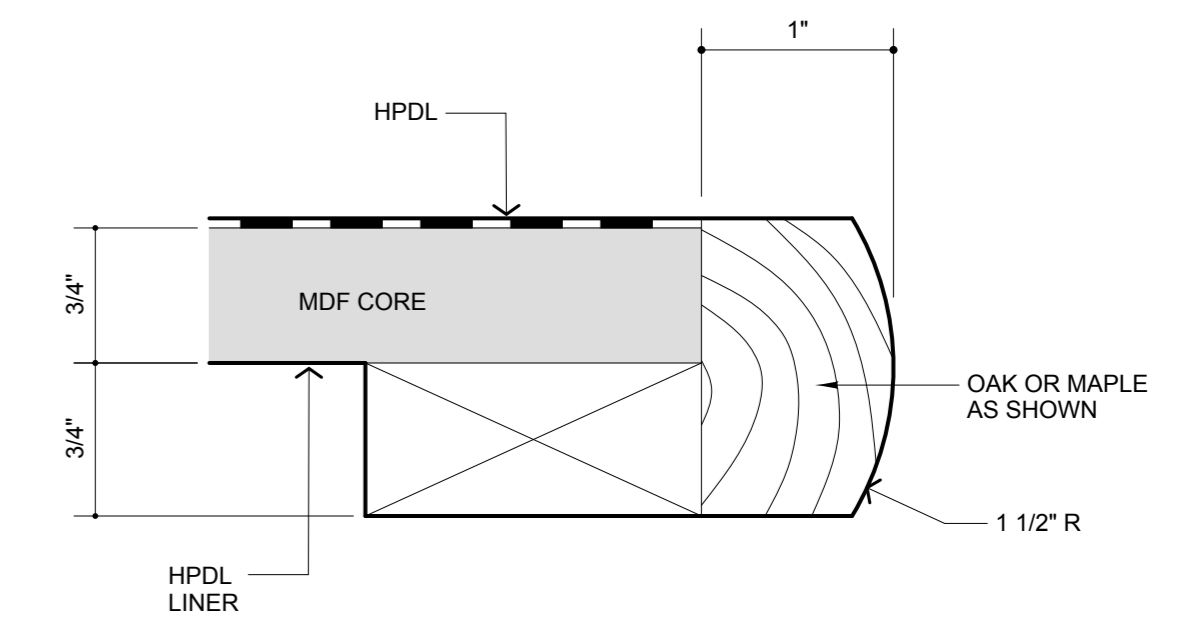
Materials and Hardware	
3 MM PVC EDGING	TO MATCH HPDL
ADJ. SHELVING STANDARDS	SPUR STEEL-LOK
ADJ. SHELVING BRACKETS	SPUR STEEL-LOK
CABINET AND DRAWER PULLS	IVES #38 B26D
CABINET HINGES	BLUM SERIES 125 SELF CLOSING
COUNTER GROMMETS	BLACK
COUNTER SUPPORT BRACKETS	A&M HARDWARE / POWDER COATED BLACK
PULL-OUT TRAY SLIDES	ACCURIDE 3132SC SELF CLOSING UNDERMOUNT
IV HOOKS	IVES #580 B26D (SEE ELEV 2/A3.1)
PLAM COUNTERS	PIONITE 0.050" SUEDE FINISH
PLAM CASEWORK	PIONITE 0.050" SUEDE FINISH
PLAM ADJ SHELVES	PIONITE 0.050" SUEDE FINISH
SOLID SURFACING (SSM)	CORIAN (COLOR GROUP E OR F)

Notes:

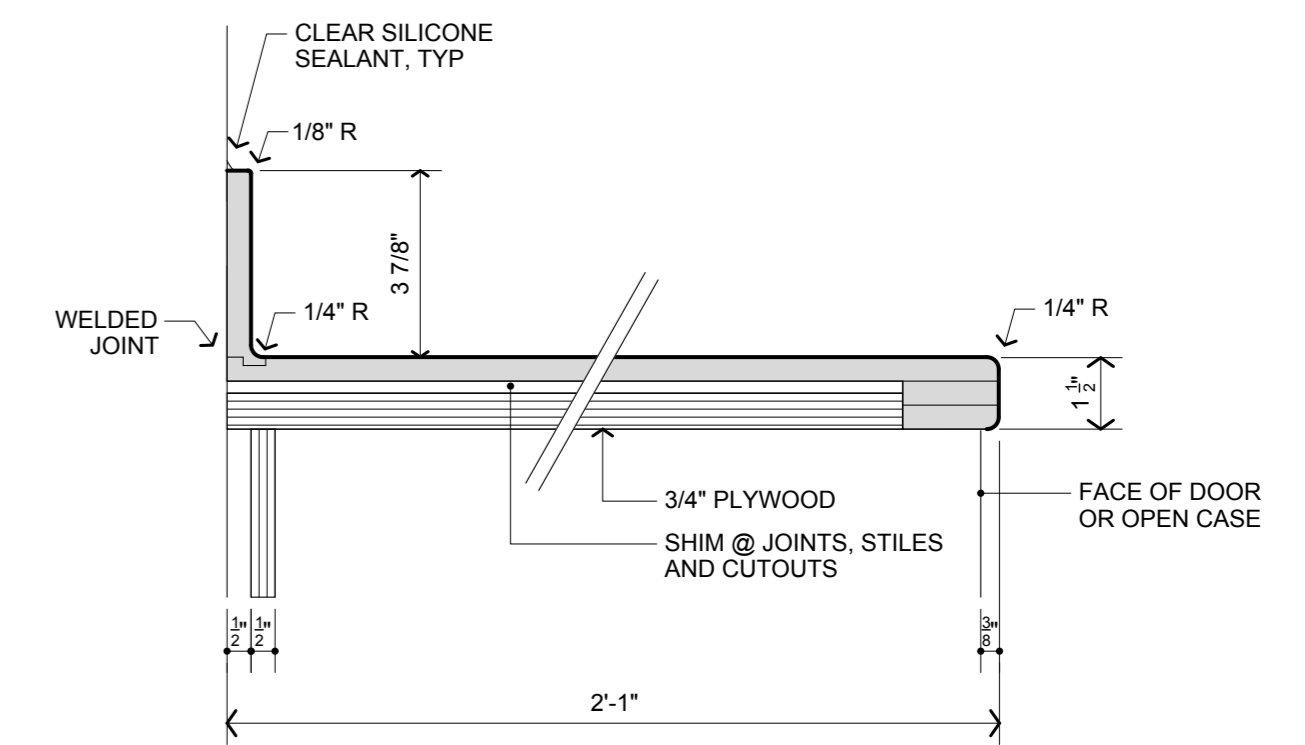
1. RUN ALL MAPLE PANEL WOOD GRAIN DIRECTION VERTICALLY UNLESS OTHERWISE NOTED.



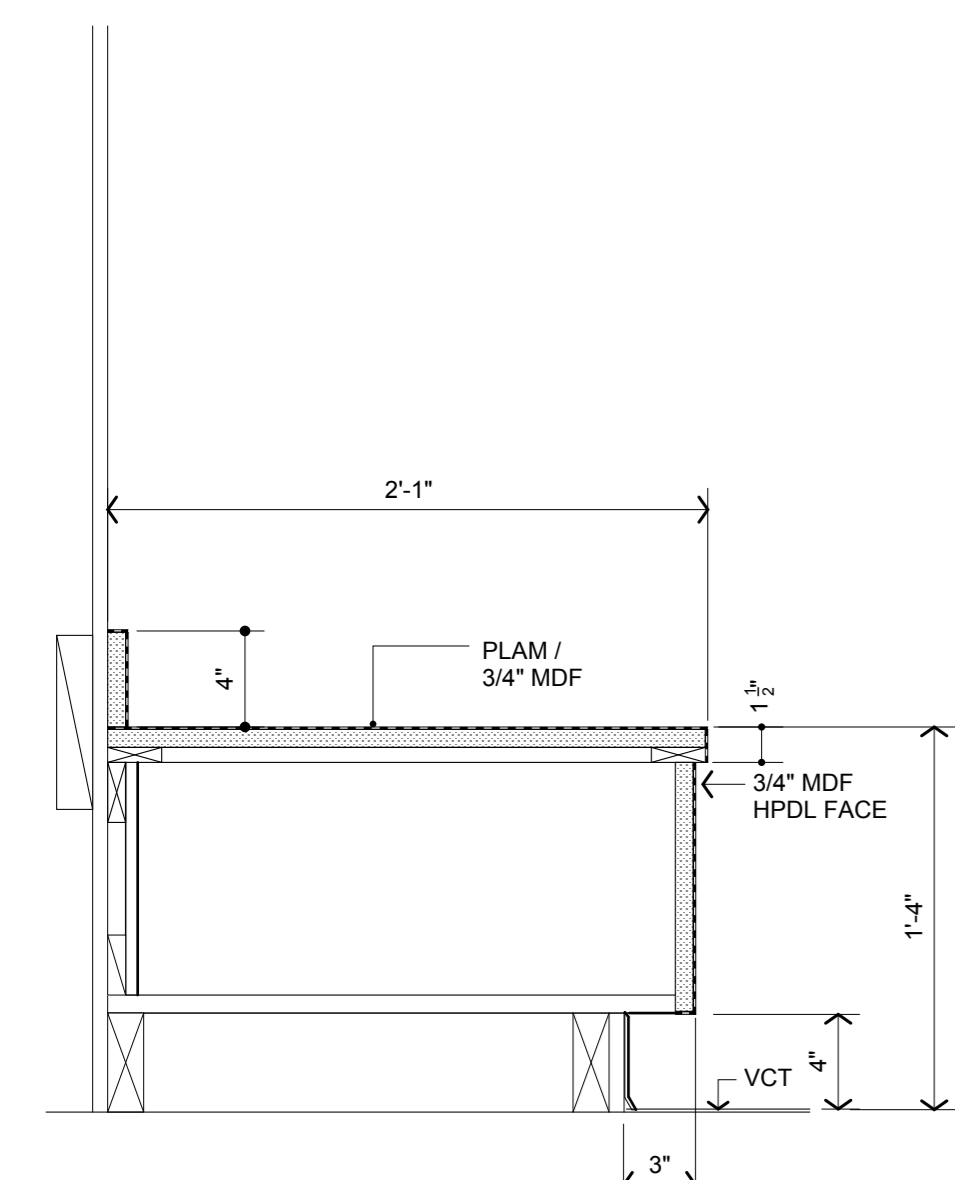
3 LAMINATE COUNTER SECTION
1 1/2" = 1'-0"



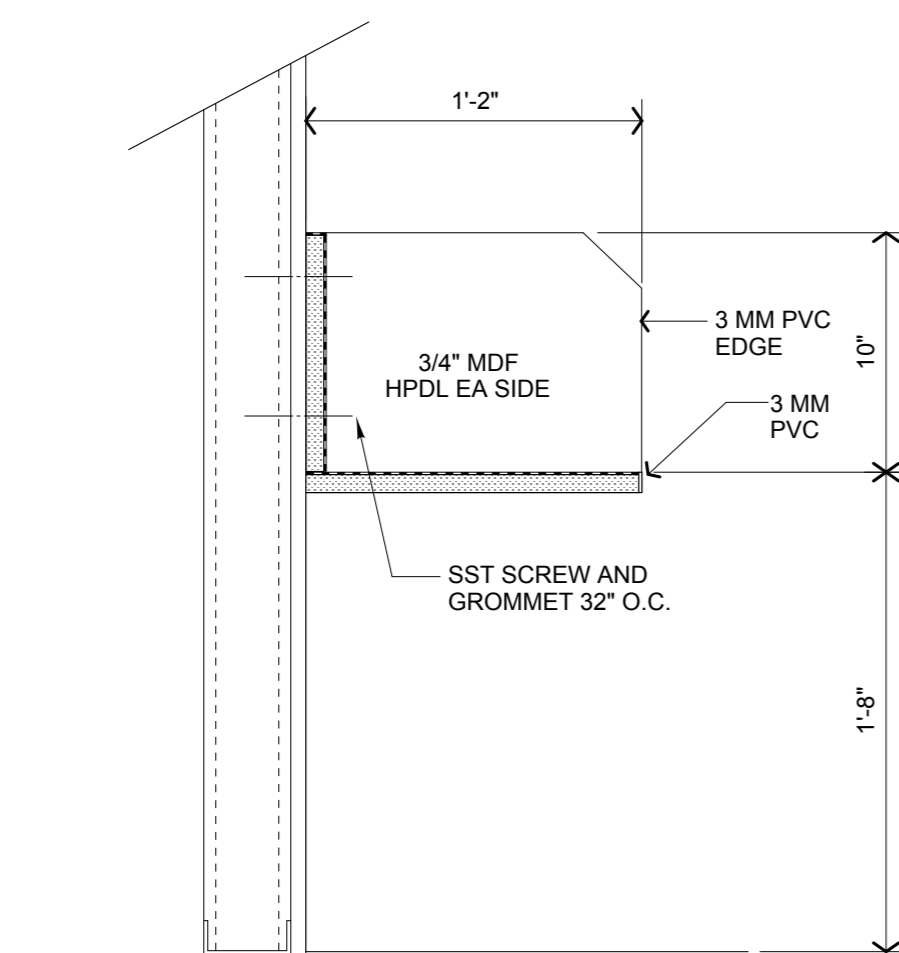
A Hardwood Counter Edge Where Shown
FULL SIZE



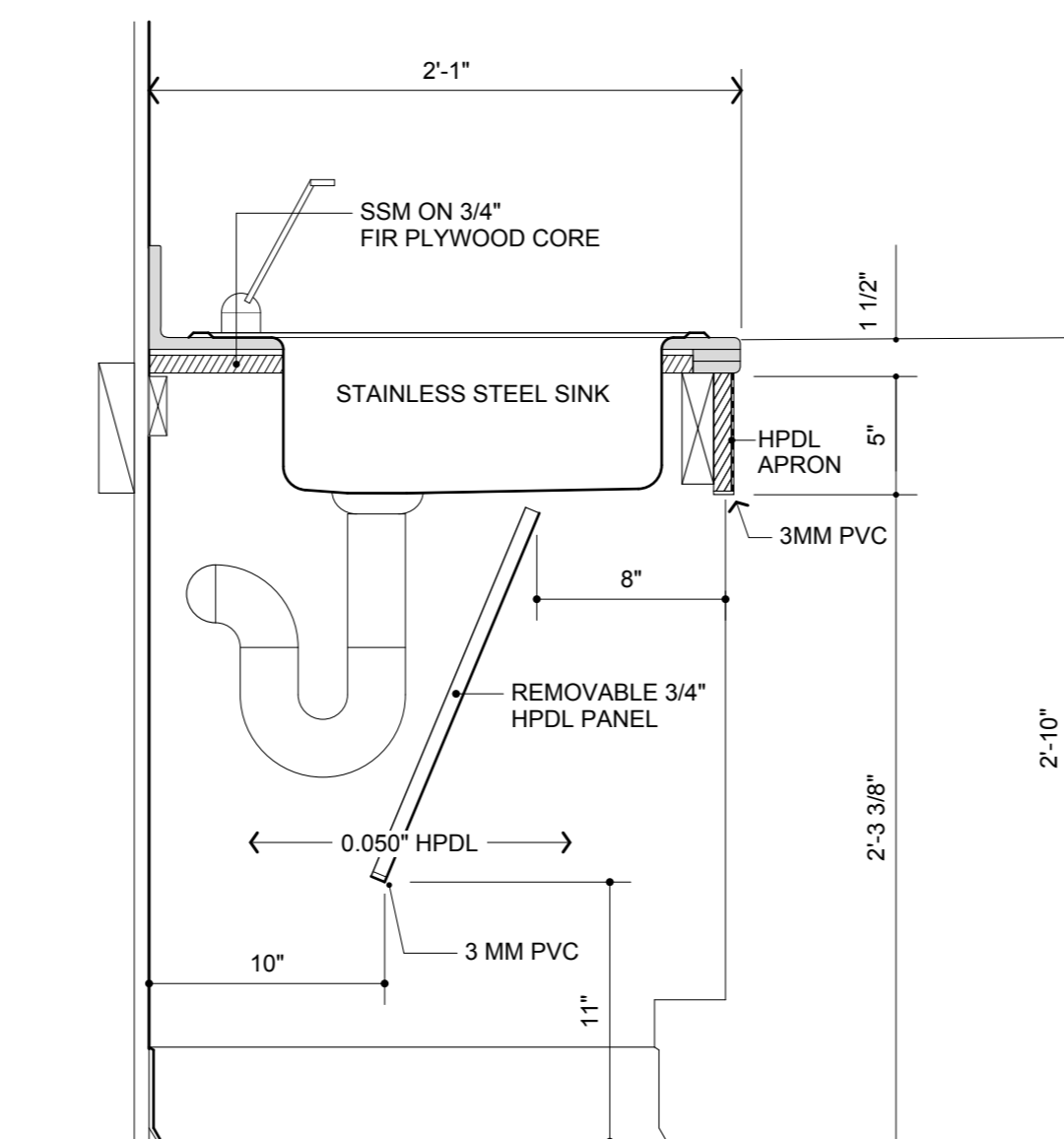
B Typical Solid Surfacing Counter Section
3" = 1'-0"



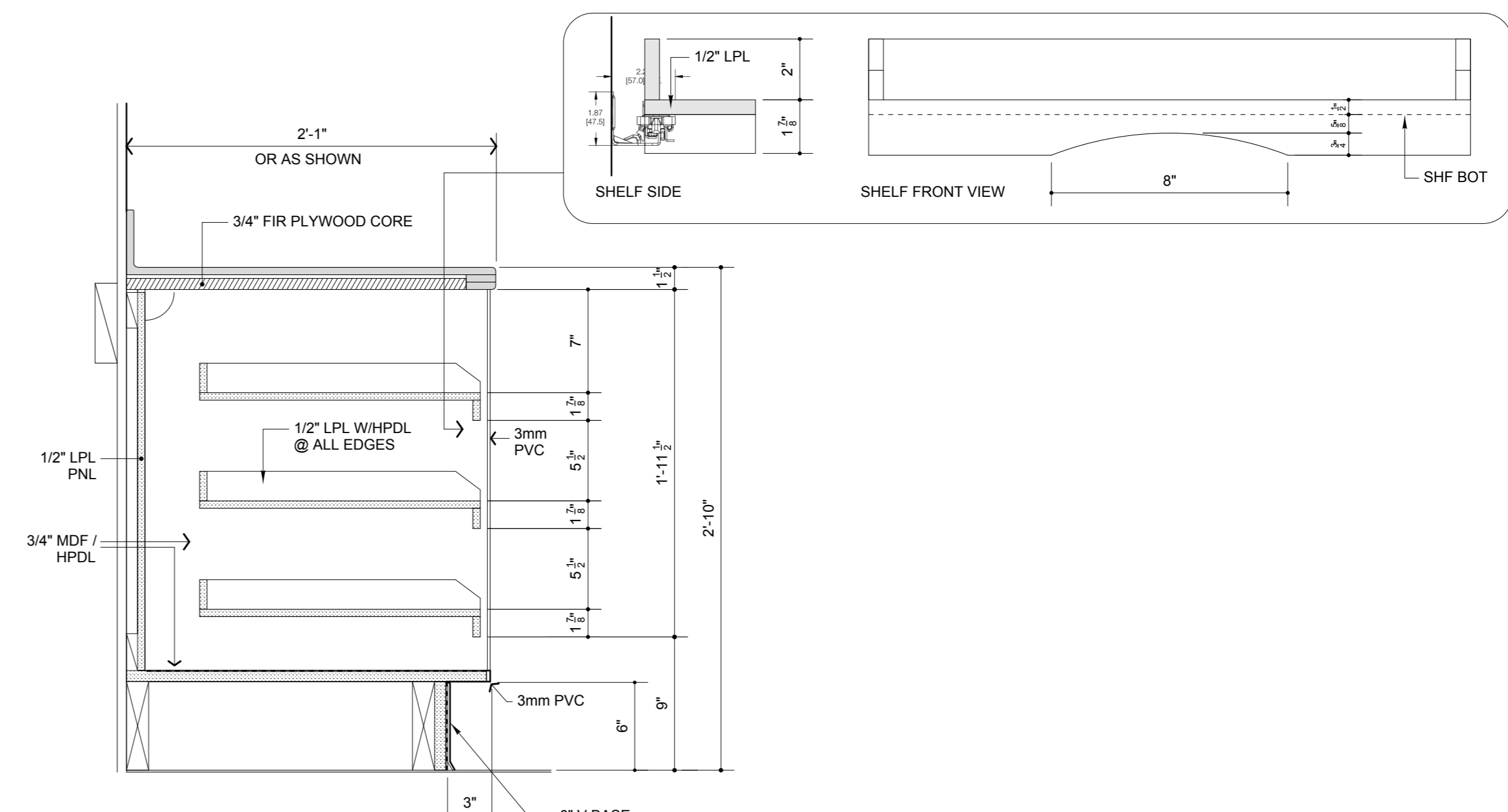
4 REFRIGERATOR BASE SECTION
1 1/2" = 1'-0"



5 FIXED STORAGE BASE
1 1/2" = 1'-0"



6 SINK BASE SECTION
1 1/2" = 1'-0"



7 PULL-OUT TRAYS CABINET SECTION
1 1/2" = 1'-0"