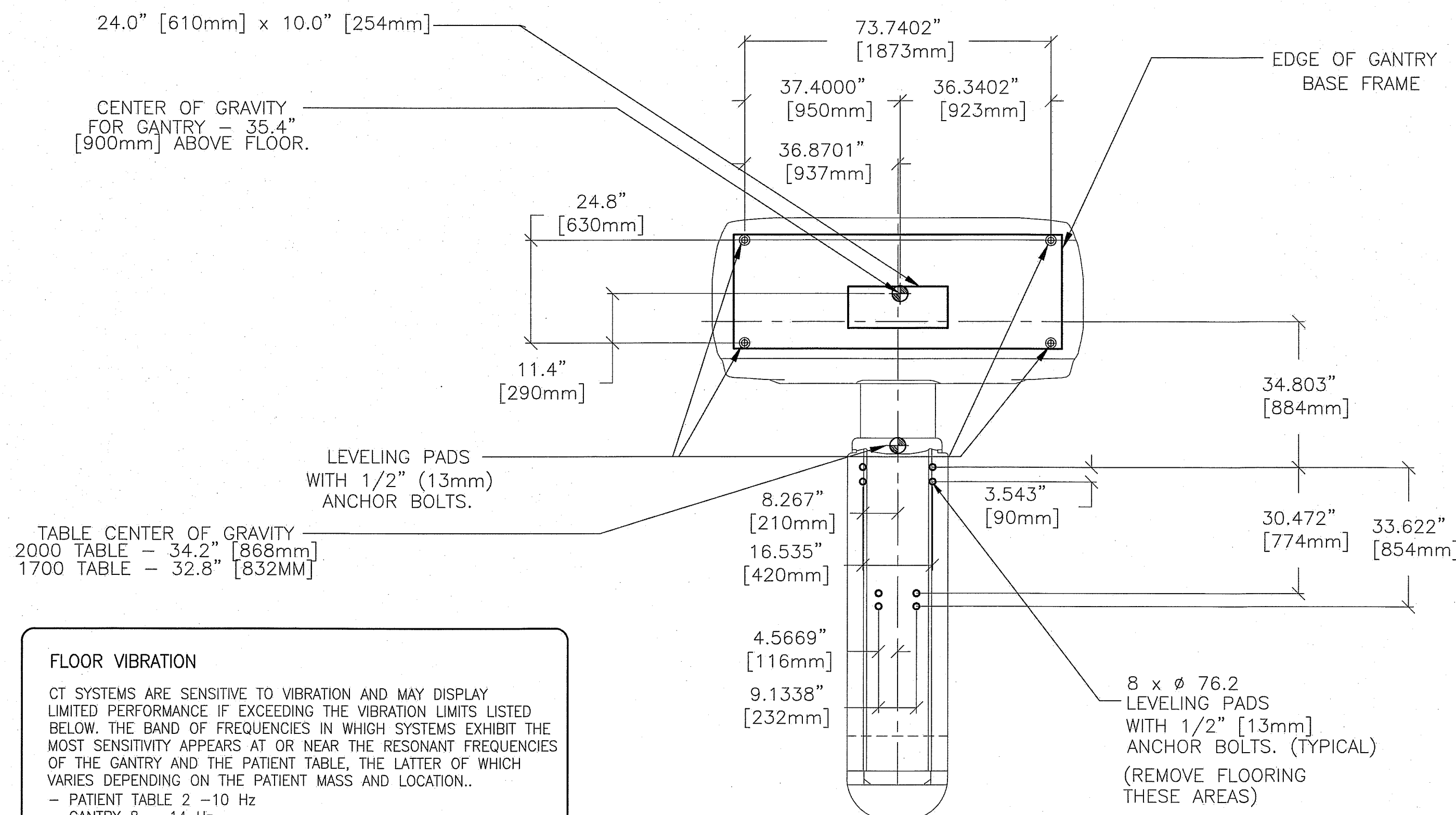


DISCOVERY CT SERIES GANTRY AND TABLE ANCHOR/LEVELING

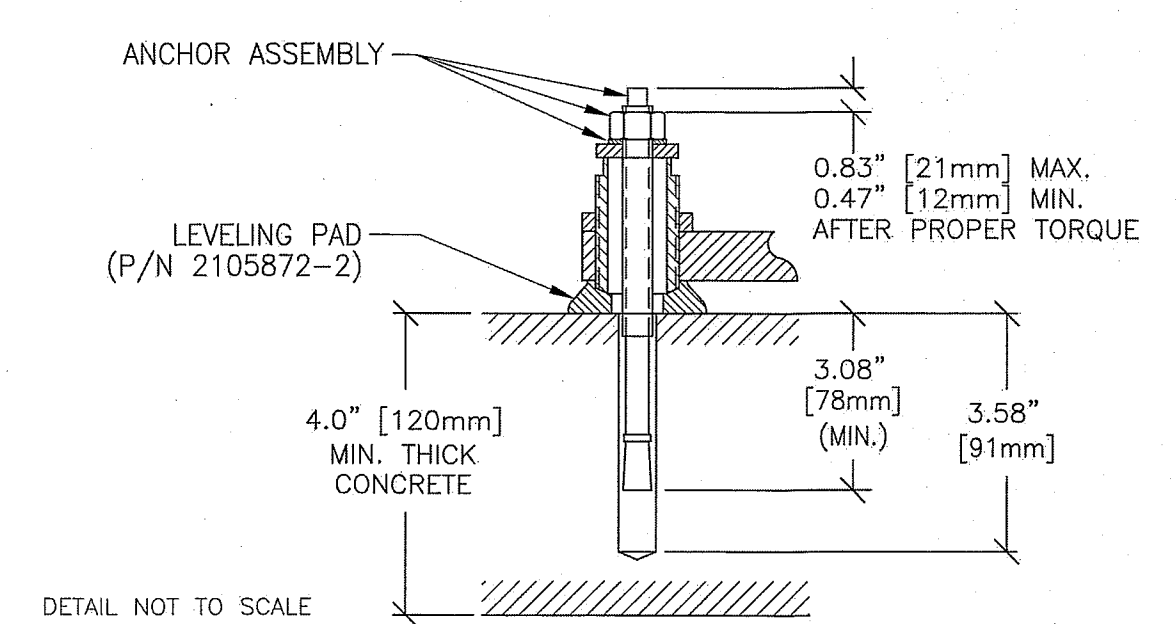
B7867

REV. DATE: 25.Sep.14



FLOOR VIBRATION
 CT SYSTEMS ARE SENSITIVE TO VIBRATION AND MAY DISPLAY LIMITED PERFORMANCE IF EXCEEDING THE VIBRATION LIMITS LISTED BELOW. THE BAND OF FREQUENCIES IN WHICH SYSTEMS EXHIBIT THE MOST SENSITIVITY APPEARS AT OR NEAR THE RESONANT FREQUENCIES OF THE GANTRY AND THE PATIENT TABLE, THE LATTER OF WHICH VARIES DEPENDING ON THE PATIENT MASS AND LOCATION.
 - PATIENT TABLE 2 - 10 Hz
 - GANTRY 8 - 14 Hz
 PLEASE VERIFY WITH PIM FOR LATEST VIBRATION SPECIFICATIONS

EQUIPMENT LOCATION
 TO MINIMIZE THE INTERFERENCE, THE SYSTEM SHOULD BE PLACED ON A SOLID FLOOR, LOCATED AS FAR AS POSSIBLE FROM THE VIBRATION SOURCES, SUCH AS PARKING LOTS, ROADWAYS, SUBWAYS, TRAINS, HALLWAYS, ELEVATORS, AND HOSPITAL PHYSICAL PLANTS. PLEASE NOTE THAT OTHER ITEMS NOT LISTED COULD ALSO BE POTENTIAL SOURCES OF VIBRATION.



| PROJECT | REVISION |
|-------------|-----------|
| 144013 | 01 |
| DATE: | 08.Dec.14 |
| DRAWN BY: | ECW |
| CHECKED BY: | JGA |
| GON NO.: | 4264840 |
| GON DT.: | 30.Dec.14 |

REVISION HISTORY:

| | |
|---|-----------------|
| 1 | ECW - 02.Jan.15 |
| | CHECKED BY: JGA |