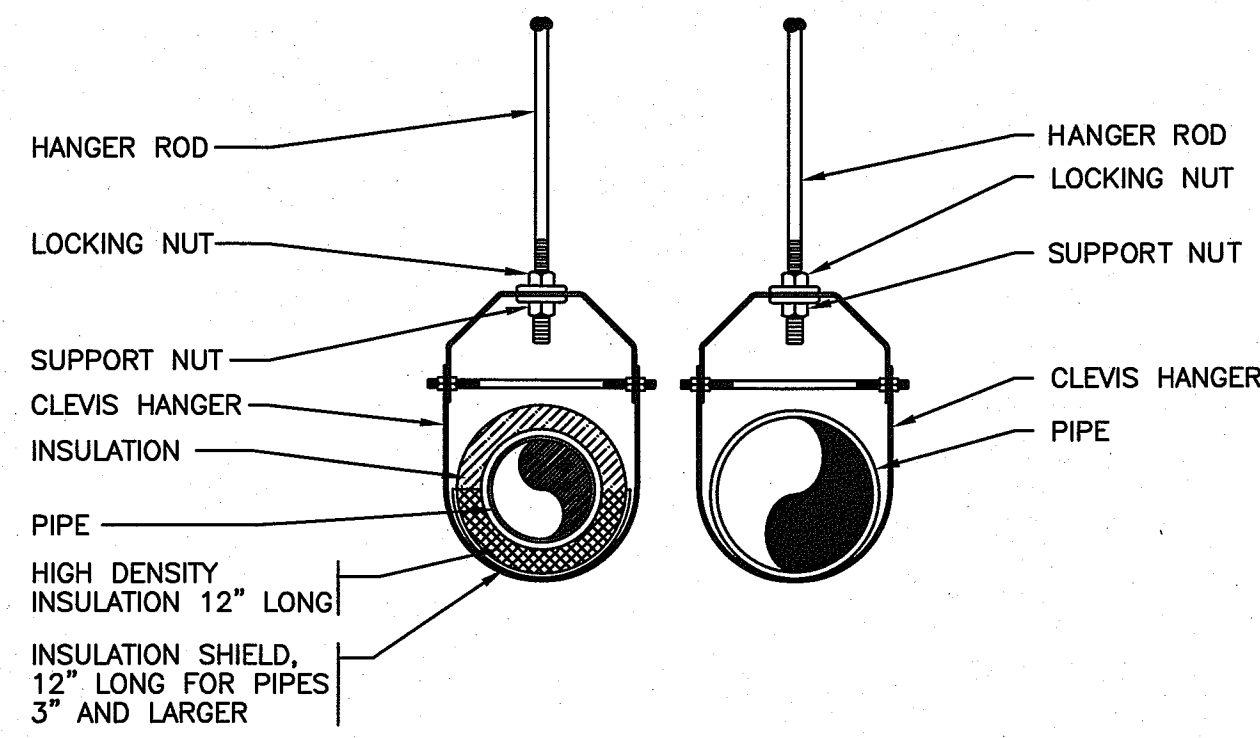


NOTE:

1. SEE SHEET P-001 FOR LEGEND AND ABBREVIATIONS.

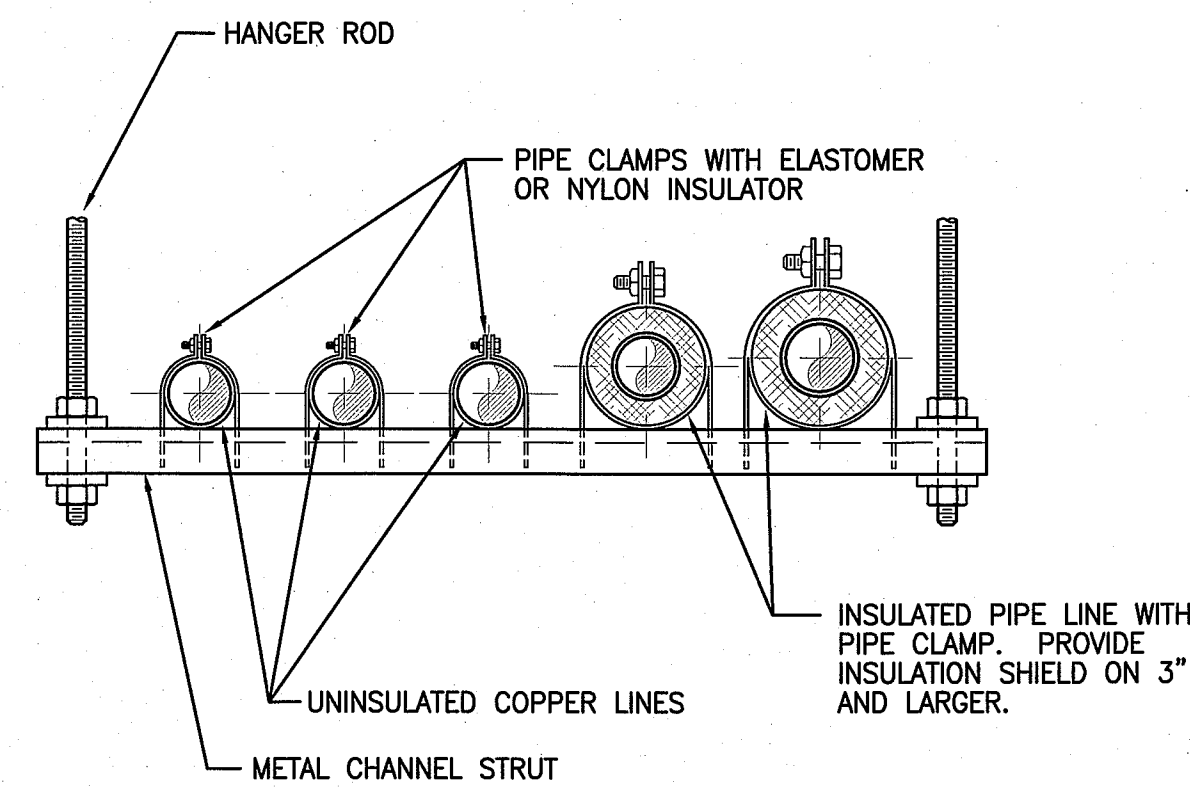


HANGER ROD SCHEDULE		HANGER ROD SPACING	
PIPE SIZE	ROD SIZE	PIPE SIZE	MAX. ALLOWABLE SPACING
UP TO 2"	3/8" DIA.	1"	7'
2 1/2" THRU 3"	1/2" DIA.	1 1/4"	8'
4" AND 5"	5/8"	1 1/2"	9'
6" THRU 8"	3/4"	2"	10'
12"	7/8"	2 1/2"	11'
		3" THRU 8"	12'
		10" & 12"	15'

SHOCK ABSORBER SCHEDULE			
TYPE	FIXTURE UNIT RATING	BASIS OF DESIGN	
		MANUF.	FIGURE NO.
'A'	1-10	ZURN	100
'B'	12-32	ZURN	200
'C'	33-60	ZURN	300
'D'	61-113	ZURN	400
'E'	114-154	ZURN	500
'F'	155-330	ZURN	600

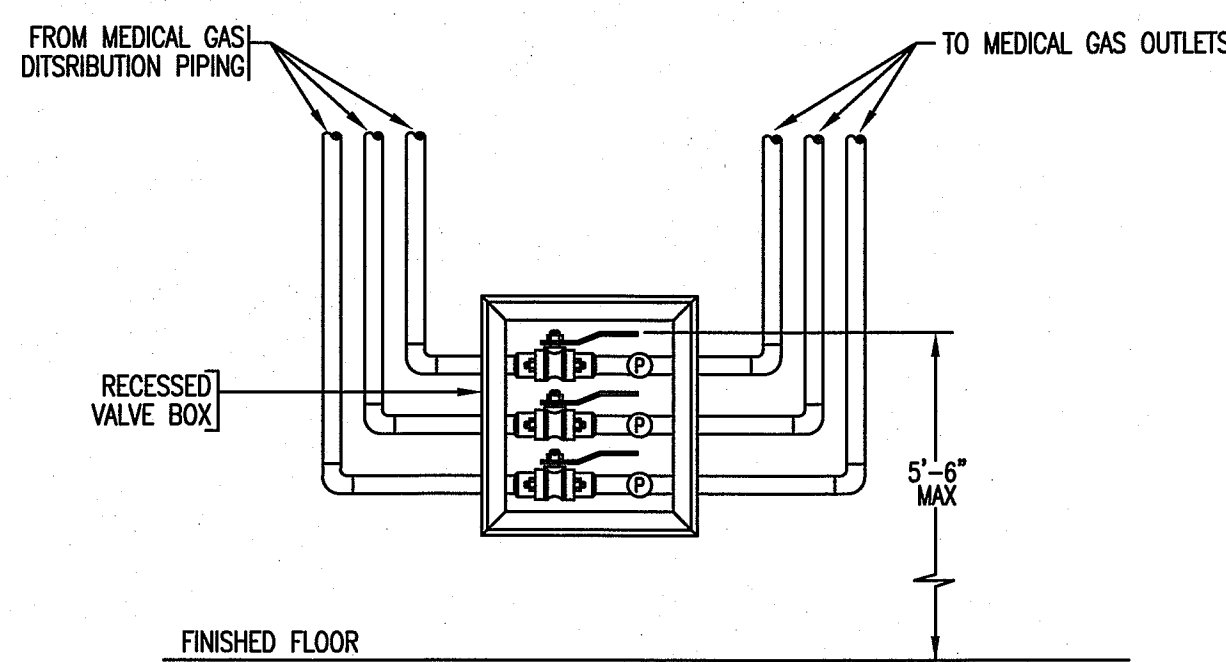
H1 PIPE HANGER INSTALLATION DETAIL

NOT TO SCALE



E1 TRAPEZE PIPE HANGER DETAIL

NOT TO SCALE



A1 MEDICAL ZONE VALVE BOX DETAIL

NOT TO SCALE

PLUMBING FIXTURE CONNECTION SCHEDULE					
FIXTURE	CW	HW	WASTE	VENT	NOTES
SINK	1/2"	1/2"	1-1/2"	1-1/2"	①

NOTES: ① PROVIDE SHOCK ABSORBER W/ ISOLATION VALVE, ACCESSIBLE.

MEDICAL GAS SCHEDULE										
TAG	DESCRIPTION	MODEL NUMBER	O2	MA	MV	N2	N2O	CO2	WAGD	NOTES
ZVB-A	ZONE VALVE BOX	BEACON MEDAES #150202-00	1/2"	1/2"	3/4"	-	-	-	-	①

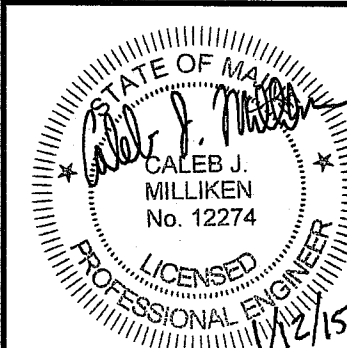
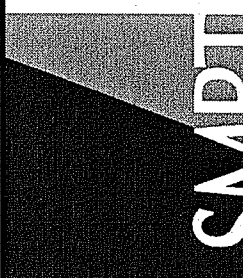
NOTES: ① -

PLUMBING FIXTURE SCHEDULE						
TAG	DESCRIPTION	FIXTURE	FAUCET/DRAIN	TRIM	SUPPORT	NOTES
SK-A	CT ROOM SINK	ELKAY #LRAD22190365 "LUSTERTONE" STAINLESS STEEL, SINGLE BOWL, DROP IN SINK, (3) HOLES ON 4" CENTERS, 22" x 19" x 6-1/2" DEPTH, 18 GAUGE.	CHICAGO FAUCET #201-AGN8AE29-317AB, MCGUIRE #8912 P-TRAP, ELKAY #LRAD18 GRID DRAIN AND OFFSET TAILPIECE	MCGUIRE #LFH171LK LOOSE KEY ANGLE STOPS, ESCUTCHEONS AND RISERS-CHROME PLATED.	-	

NOTES:

144 Fore Street/P.O. Box 618
Portland, Maine 04104
tel. (207) 772-3846
fax. (207) 772-1070
www.smrtinc.com

ARCHITECTURE
ENGINEERING
PLANNING
INTERIOR DESIGN
COMMISSIONING



MAINE MEDICAL CENTER
ED CT FIT-UP AND READING RENOVATIONS
PORTLAND, MAINE

ISSUED FOR PERMITTING
1-12-15

REV	DESCRIPTION	DATE

GRAPHIC SCALE:
0" 1"
SCALE: NOT TO SCALE
PROJECT MANAGER: DJV
JC/DRAWN BY: MOR/BGG
A/E OF RECORD: CJM
CAD FILE: P-501-14150
PROJECT NO: 14150
DATE:
SHEET TITLE:
PLUMBING
DETAILS AND
SCHEDULES

SHEET No.
P-501
© COPYRIGHT 2013 SMRT INC.