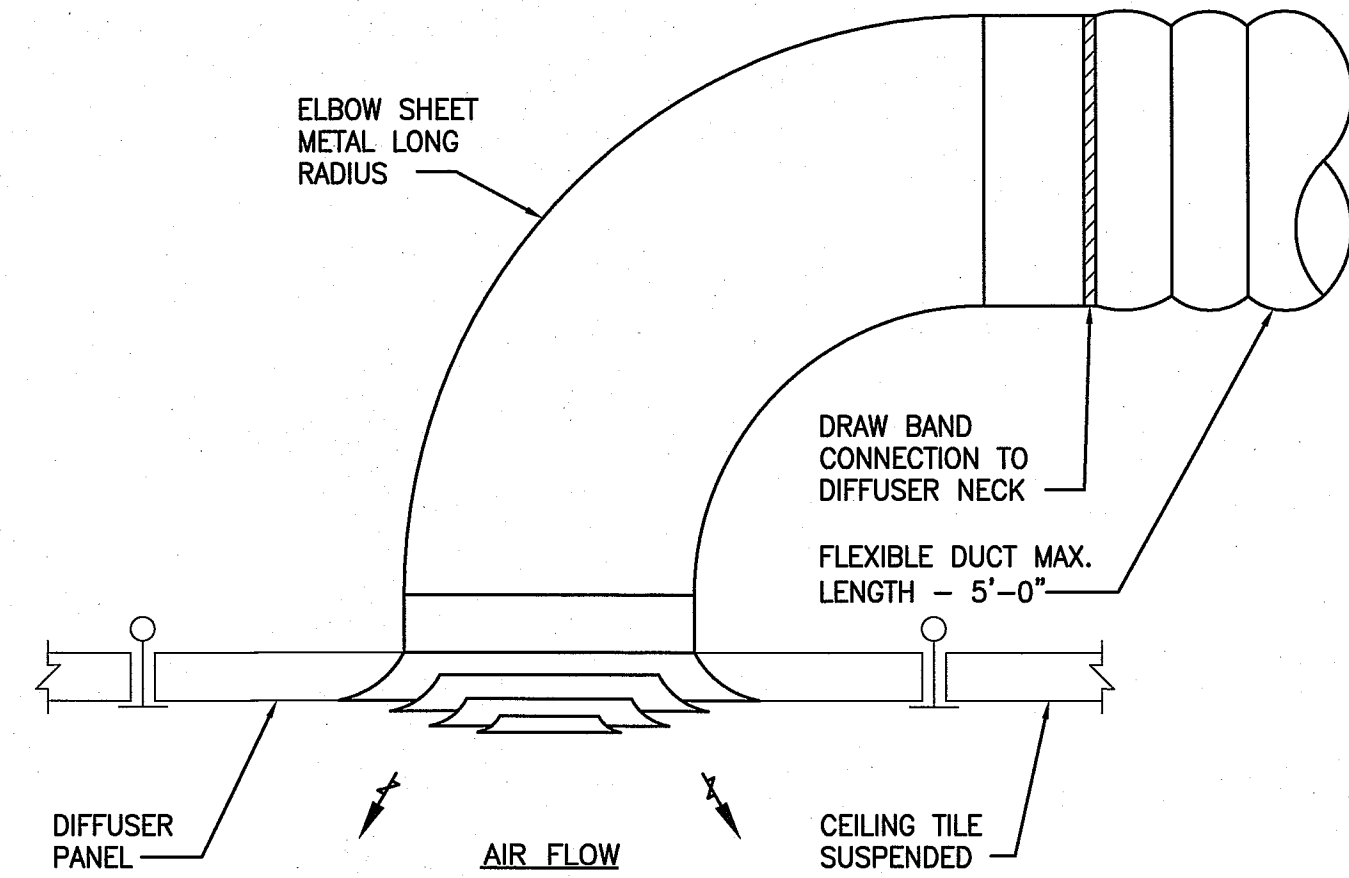


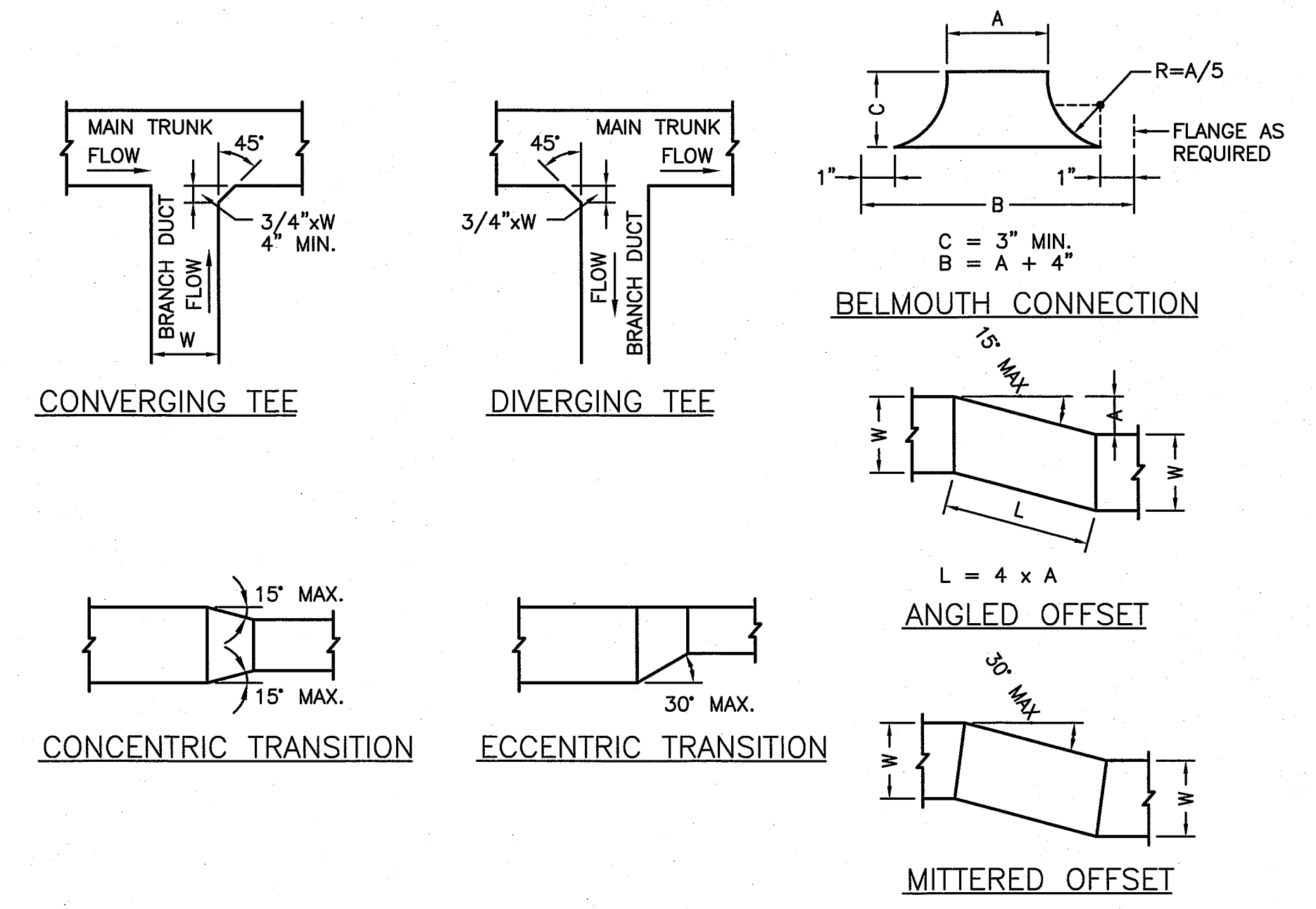
NOTE:

1. SEE SHEET M-001 FOR LEGEND AND ABBREVIATIONS.



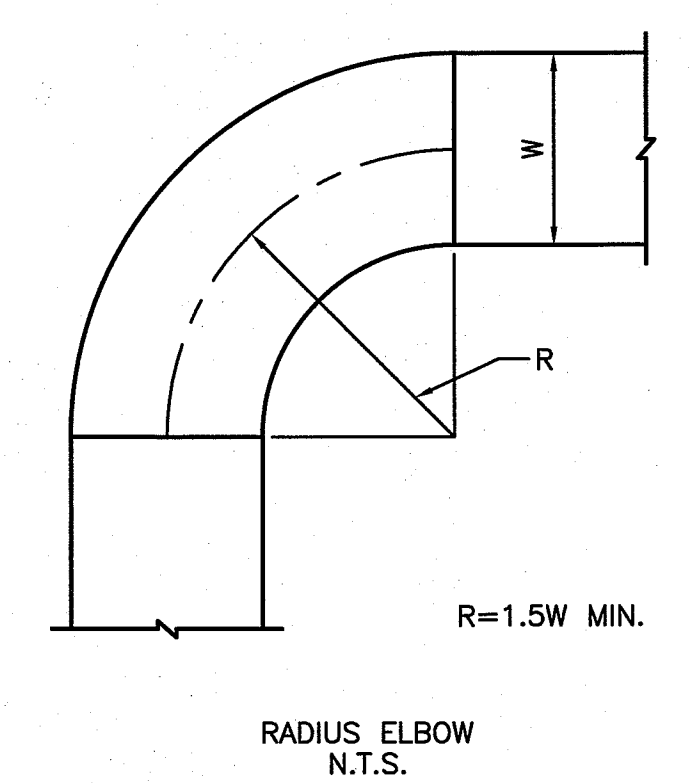
G6 DIFFUSER CONNECTION DETAIL

NOT TO SCALE



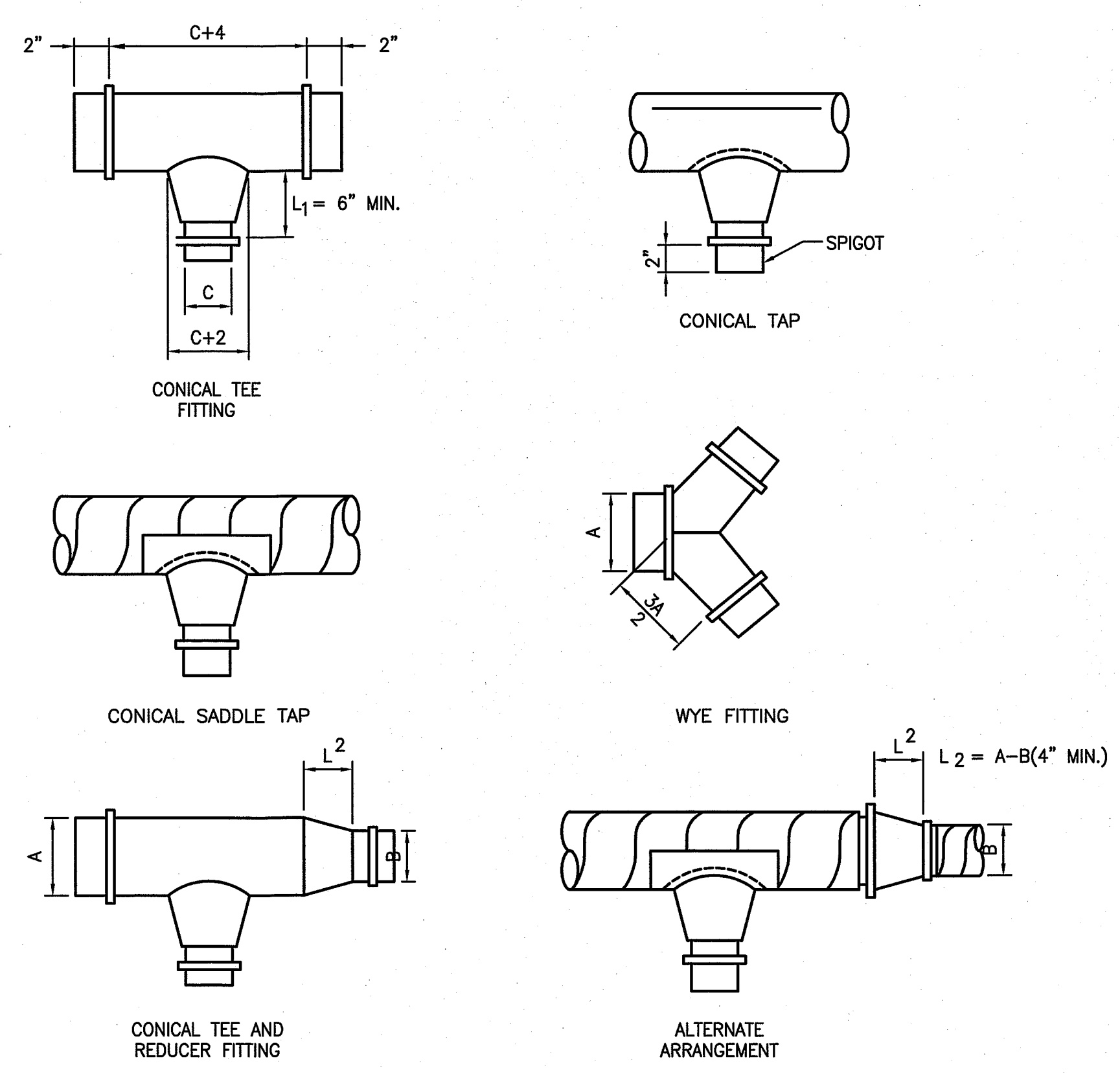
G11 DUCT TRANSITIONS

NOT TO SCALE



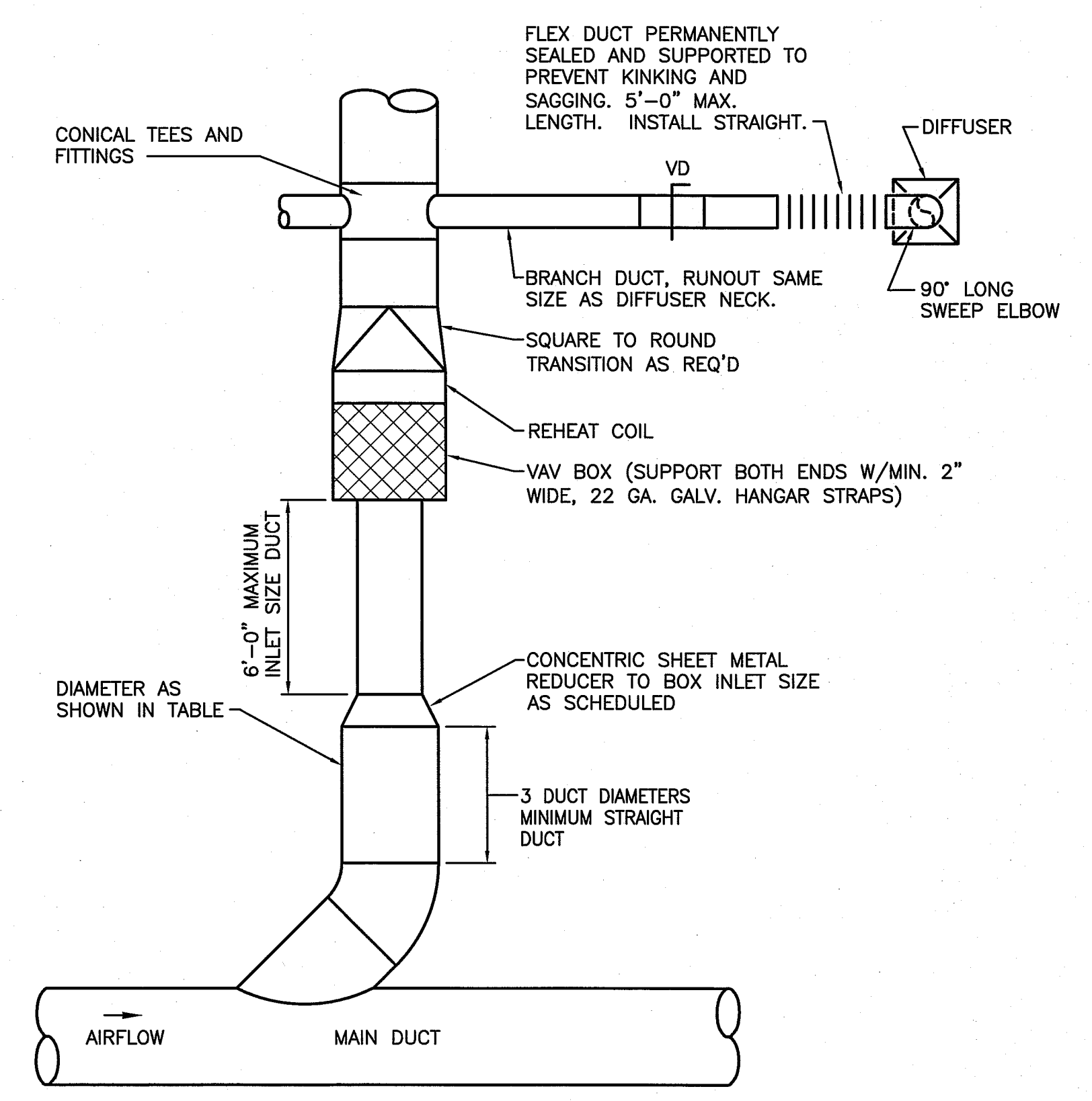
A1 LOW PRESSURE DUCT ELBOWS-TYPICAL

NOT TO SCALE



A6 CONICAL TEES

NOT TO SCALE

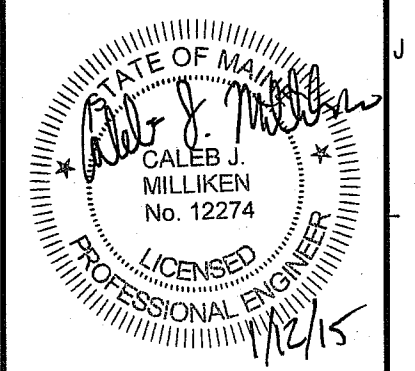
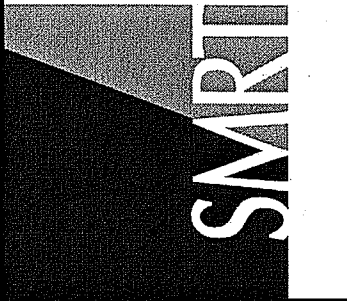


A11 VAV BOX SCHEMATIC

NOT TO SCALE

144 Fore Street/P.O. Box 618
Portland, Maine 04104
tel. (207) 772-3846
fax. (207) 772-1070
www.smartinc.com

ARCHITECTURE
ENGINEERING
PLANNING
INTERIOR DESIGN
COMMISSIONING



MAINE MEDICAL CENTER
ED CT FIT-UP AND READING RENOVATIONS
PORTLAND, MAINE

ISSUED FOR PERMITTING
1-12-15

REV	DESCRIPTION	DATE

GRAPHIC SCALE:
0" 1"

SCALE: 1/4"=1'-0"
PROJECT MANAGER: DJV
JC/DRAWN BY: MDR/BGG
A/E OF RECORD: CJM
CAD FILE: M-501-14150
PROJECT NO: 14150
DATE:

SHEET TITLE:
MECHANICAL
DETAILS

SHEET No.
M-501
© COPYRIGHT 2013 SMART INC.