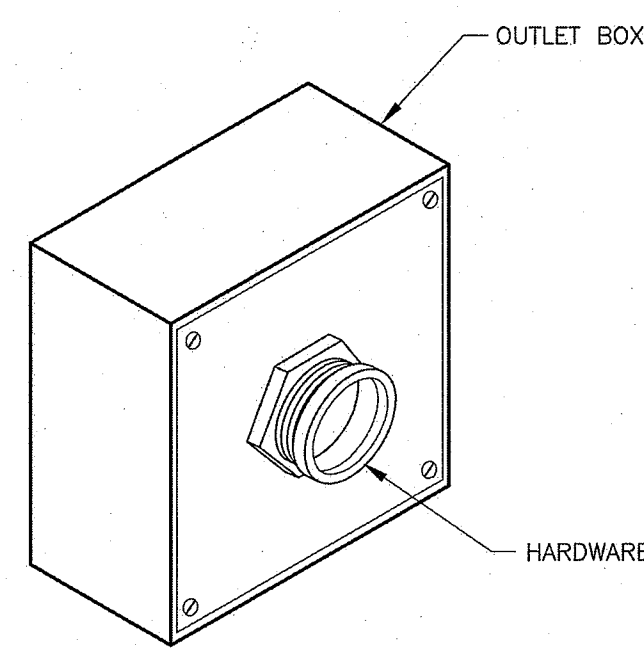


ELECTRICAL DETAIL
BOX WITH COVERPLATE (TYPICAL)

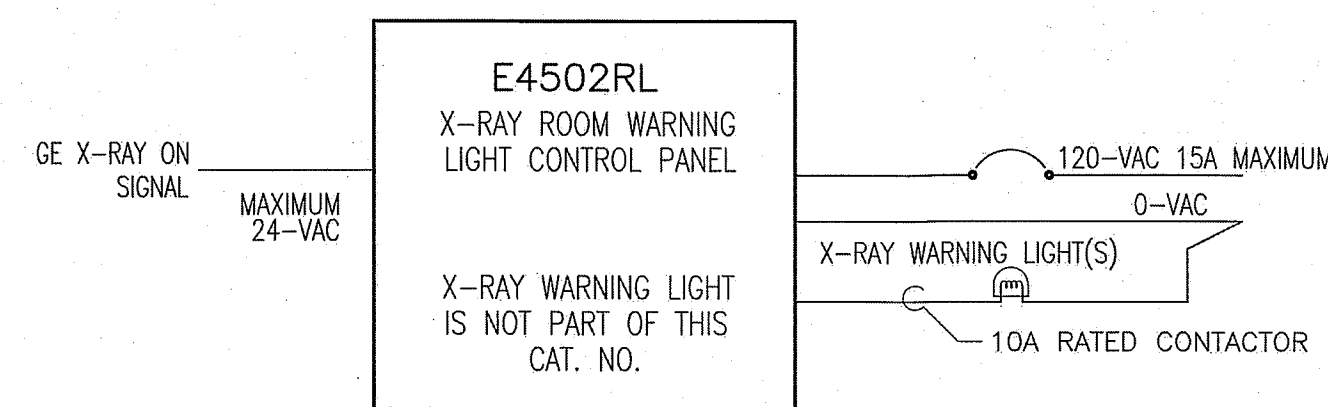
ELEC-8
REV. DATE: 09/30/94



DETAIL NOT TO SCALE

ELECTRICAL DETAIL
WARNING LIGHT DIAGRAM

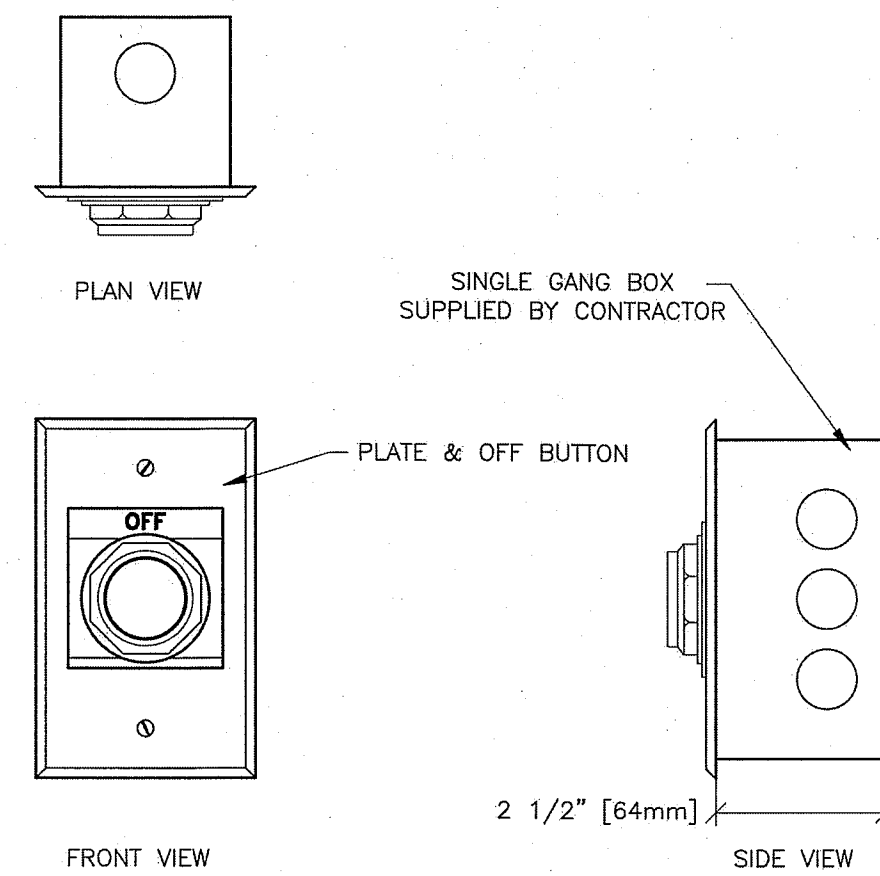
ELEC-72
REV. DATE: 05/14/09



UNLESS SPECIFIED ON SHEET A1 AS BEING INCLUDED ON EQUIPMENT ORDER, ALL ITEMS ILLUSTRATED ARE TO BE FURNISHED AND INSTALLED BY CUSTOMER'S CONTRACTOR
DRAWING NOT TO SCALE

ELECTRICAL DETAIL
EMERGENCY OFF BUTTON

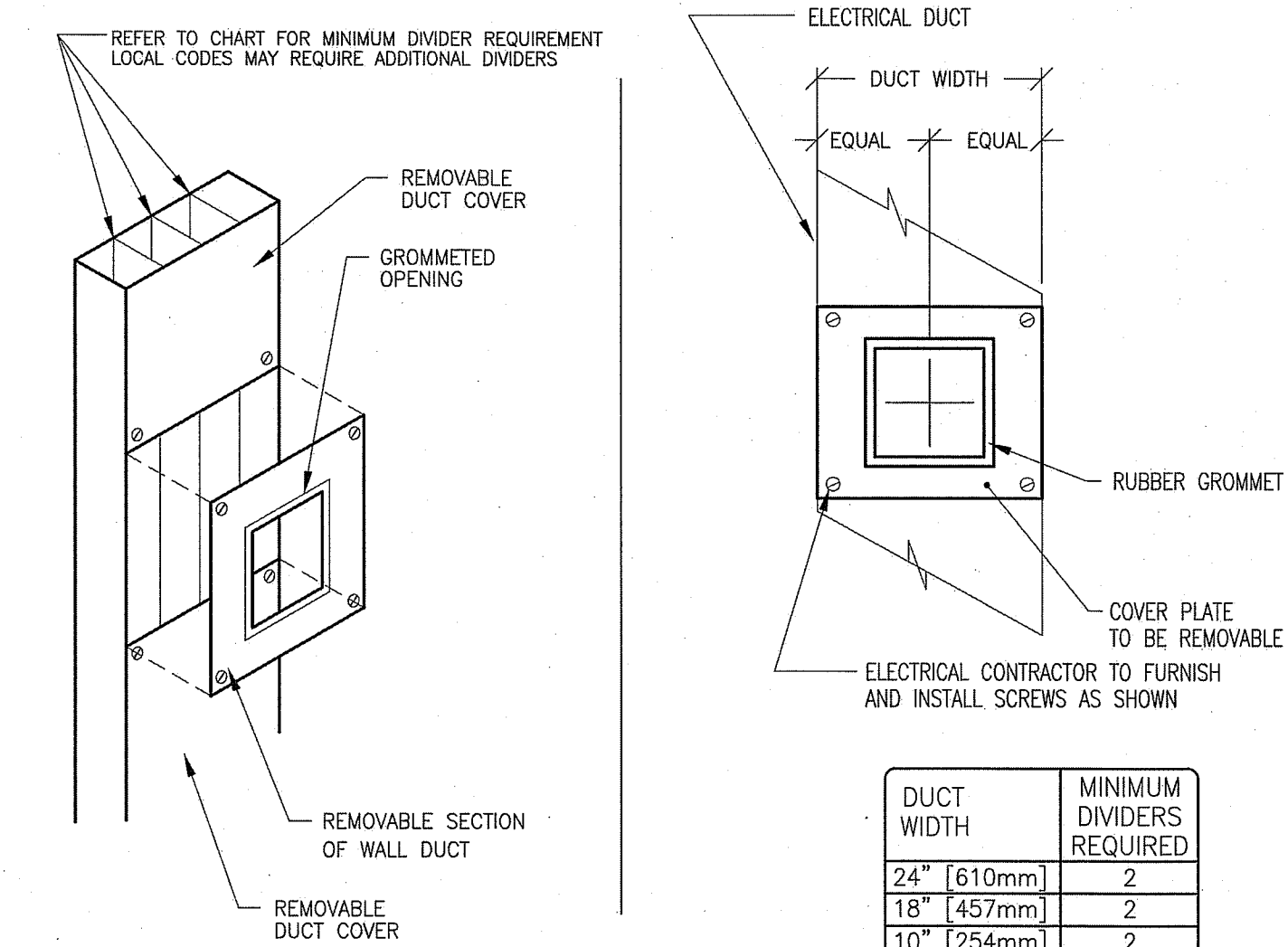
ELEC-16
REV. DATE: 05/14/09



DETAIL NOT TO SCALE

ELECTRICAL DETAIL
VERTICAL WALL DUCT (TYPICAL)

ELEC-6
REV. DATE: 03/19/04

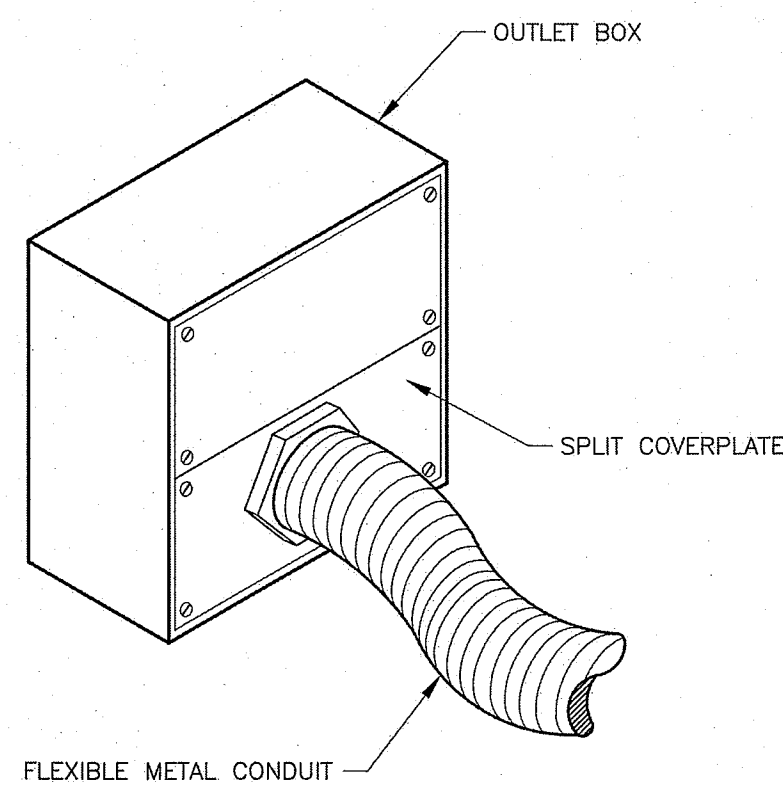


| DUCT WIDTH | MINIMUM DIVIDERS REQUIRED |
|-------------|---------------------------|
| 24" [610mm] | 2 |
| 18" [457mm] | 2 |
| 10" [254mm] | 2 |
| 6" [152mm] | 1 |
| 4" [102mm] | 1 |

DETAIL NOT TO SCALE

ELECTRICAL DETAIL
BOX WITH SPLIT COVERPLATE (TYPICAL)

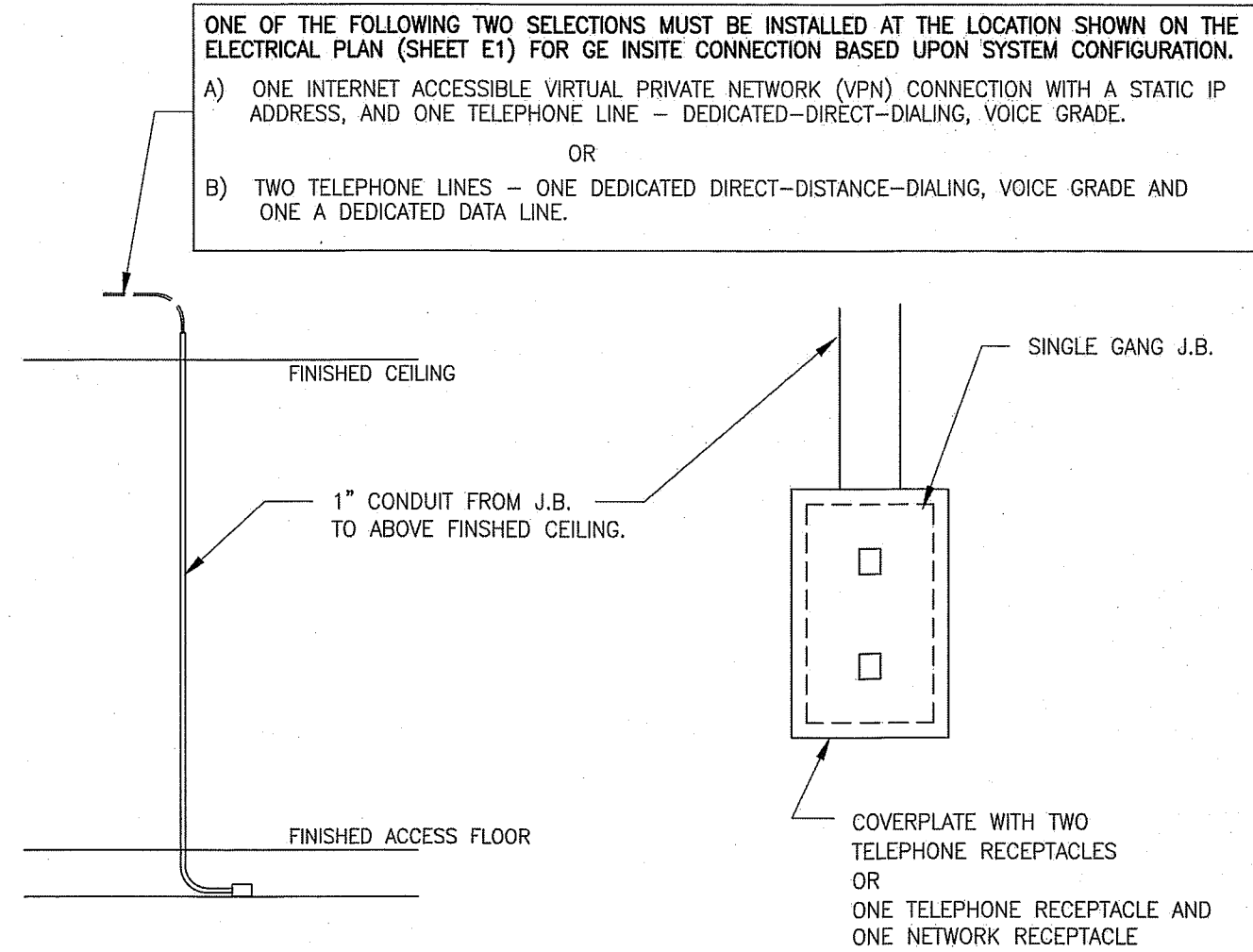
ELEC-22
REV. DATE: 10/13/94



DETAIL NOT TO SCALE

ELECTRICAL DETAIL
INSITE CONNECTION (TYPICAL)

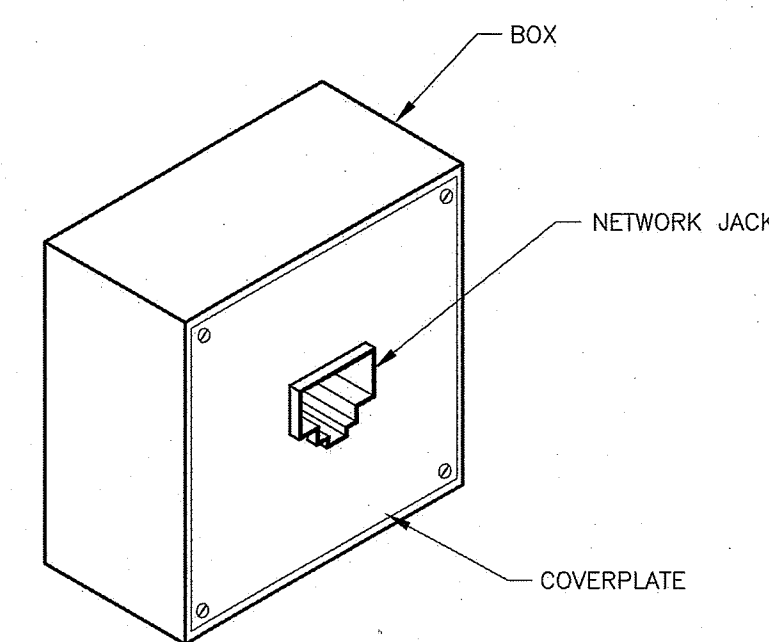
ELEC-67
REV. DATE: 04/24/02



ALL ITEMS ILLUSTRATED ARE TO FURNISHED AND INSTALLED BY CUSTOMER OR THEIR CONTRACTOR.
DETAIL NOT TO SCALE

ELECTRICAL DETAIL
BOX WITH COVERPLATE AND NETWORK JACK

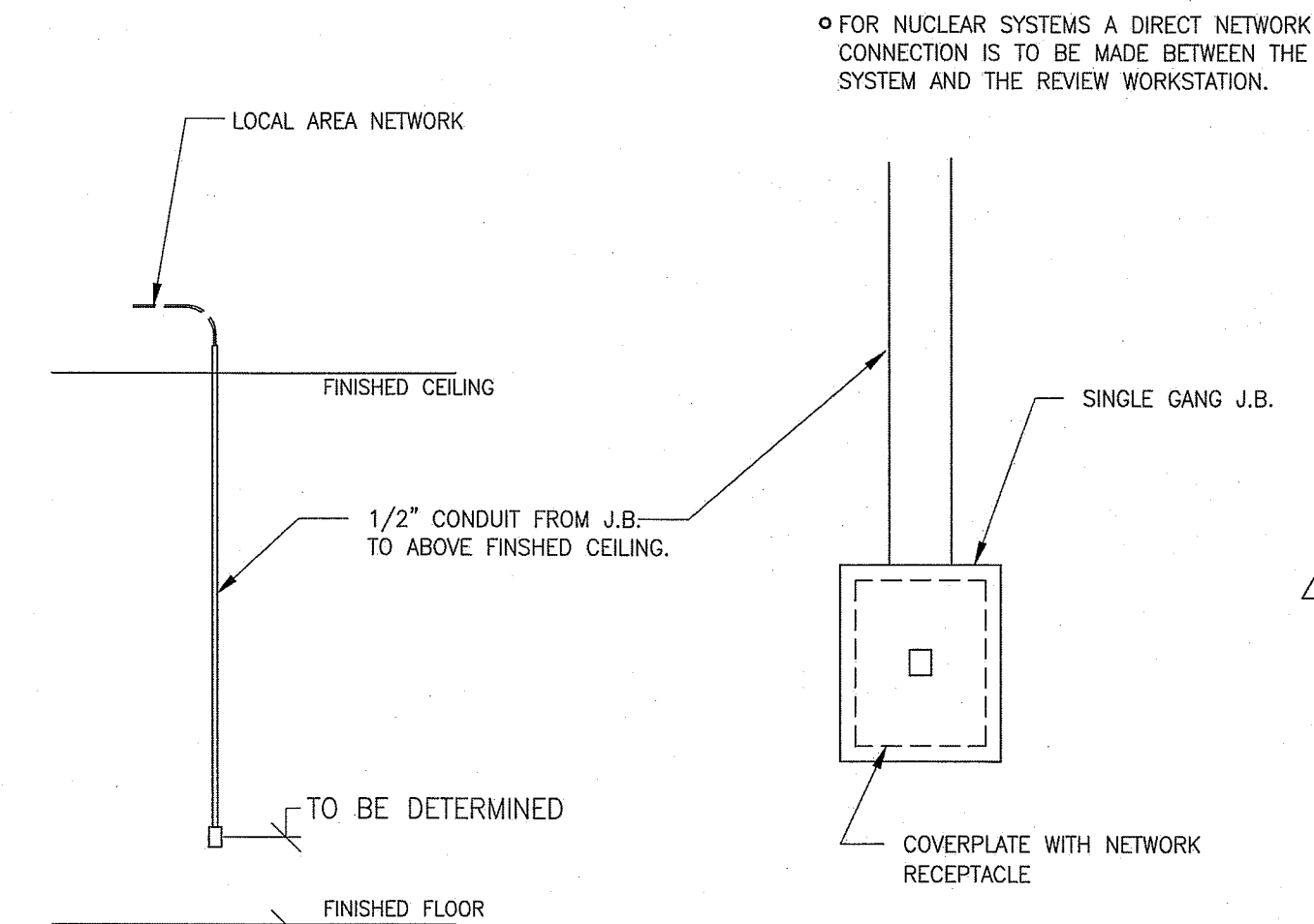
ELEC-83
REV. DATE: 10/06/98



DETAIL NOT TO SCALE

ELECTRICAL DETAIL
NETWORK CONNECTION (TYPICAL)

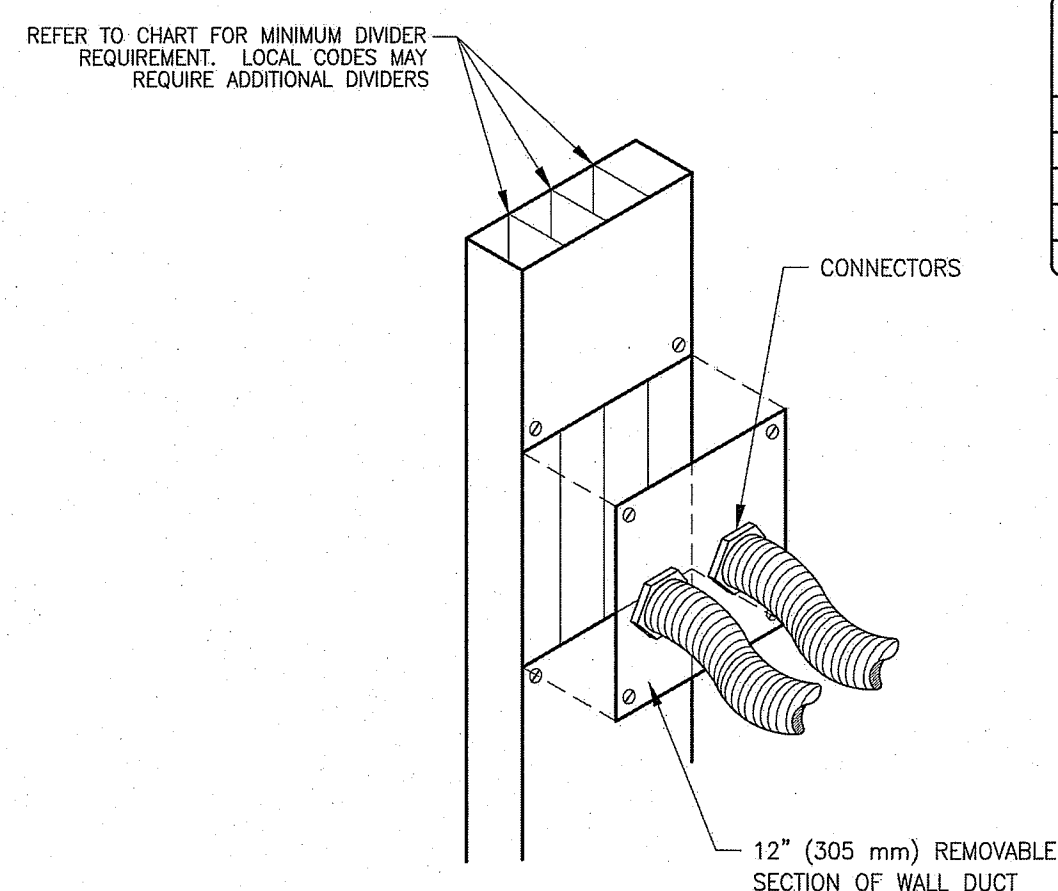
ELEC-84
REV. DATE: 03/06/04



DETAIL NOT TO SCALE

ELECTRICAL DETAIL
VERTICAL WALL DUCT WITH CONNECTORS (TYPICAL)

ELEC-30
REV. DATE: 4/01/04

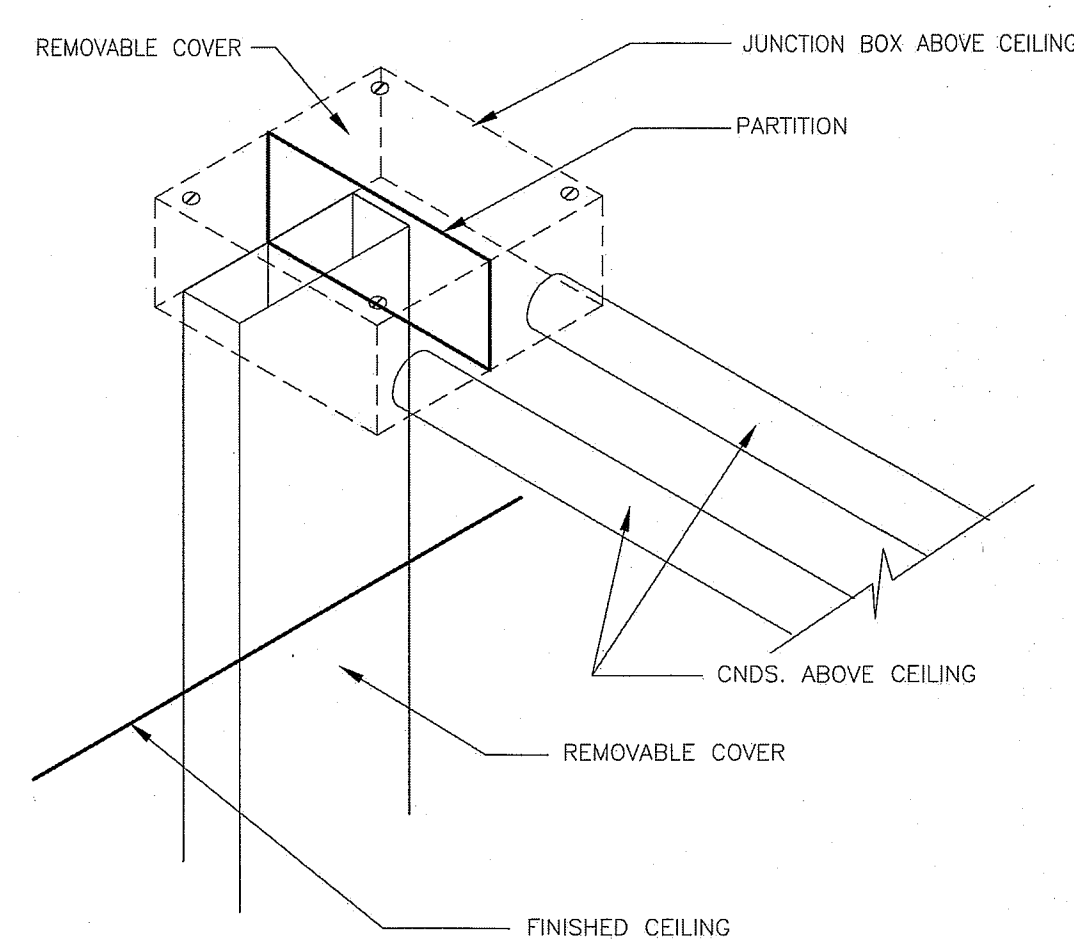


DETAIL NOT TO SCALE

| DUCT WIDTH | MINIMUM DIVIDERS REQUIRED |
|-------------|---------------------------|
| 24" [610mm] | 2 |
| 18" [457mm] | 2 |
| 10" [254mm] | 2 |
| 6" [152mm] | 1 |
| 4" [102mm] | 1 |

ELECTRICAL DETAIL
J.B. / WALL DUCT DETAIL (TYPICAL)

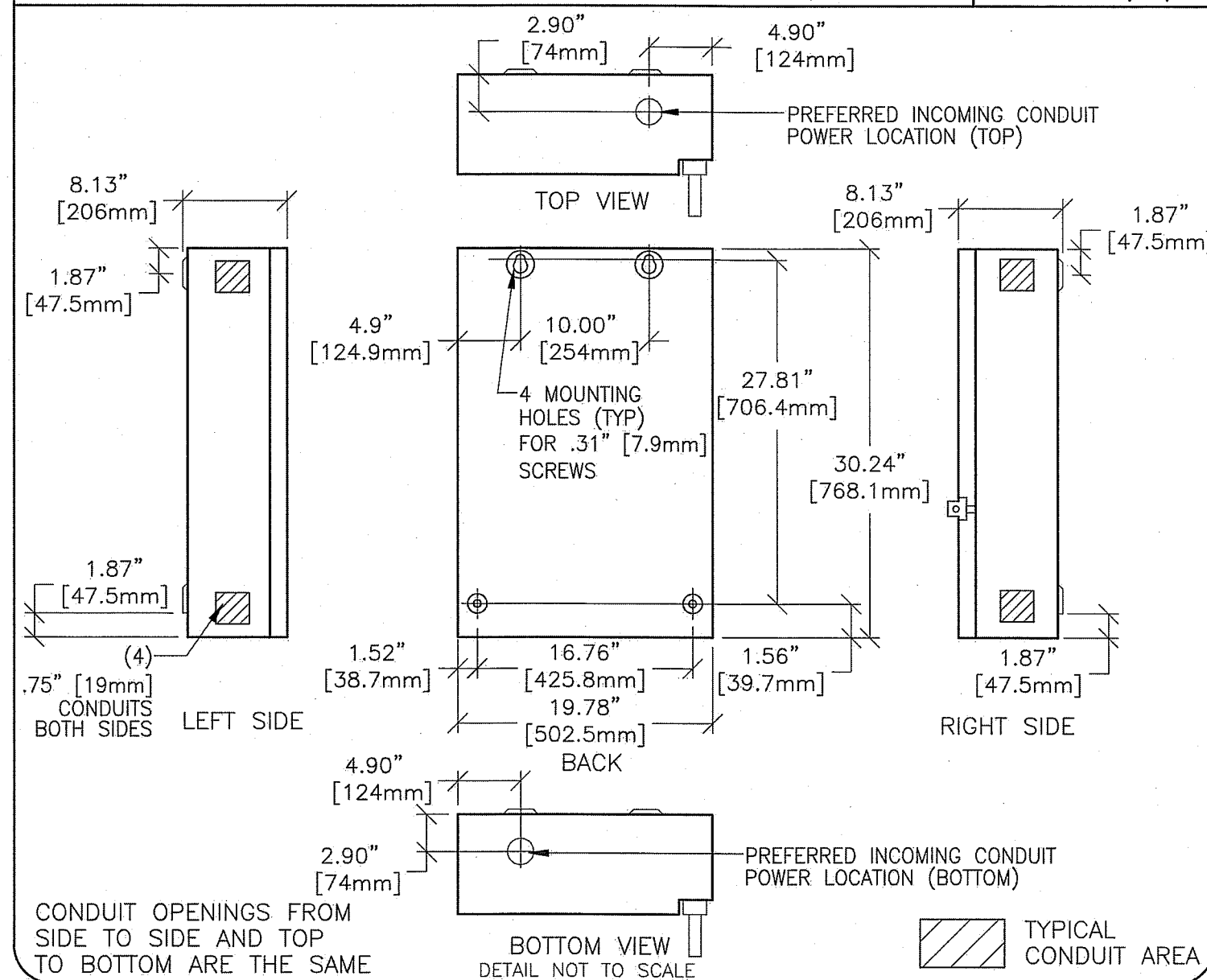
ELEC-2
REV. DATE: 09/30/94



DETAIL NOT TO SCALE

ELECTRICAL DETAIL
MAIN DISCONNECT PANEL

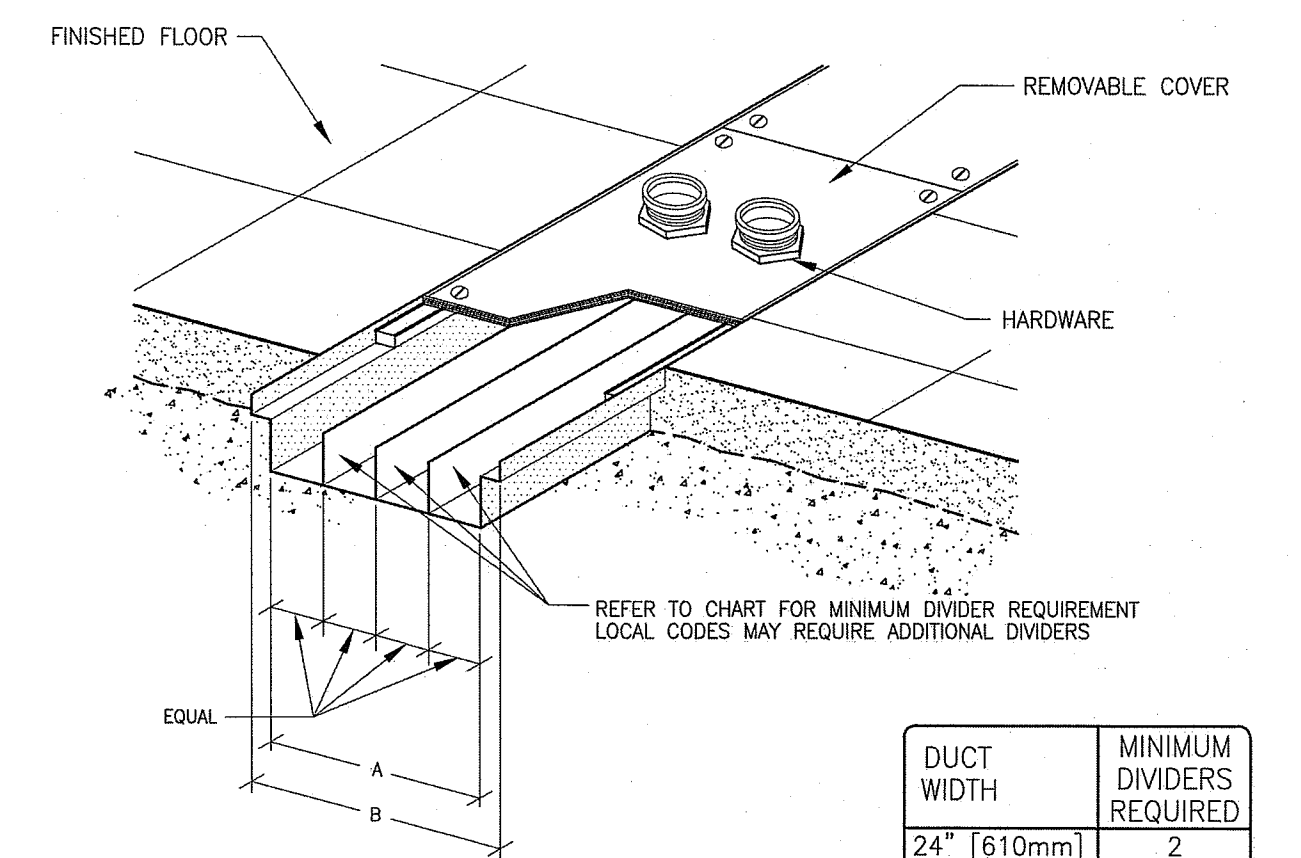
ELEC-135
REV. DATE: 09/27/04



DETAIL NOT TO SCALE

ELECTRICAL DETAIL
FLUSH FLOOR DUCT (TYPICAL)

ELEC-25
REV. DATE: 4/01/04



| DUCT WIDTH | MINIMUM DIVIDERS REQUIRED |
|-------------|---------------------------|
| 24" [610mm] | 2 |
| 18" [457mm] | 2 |
| 10" [254mm] | 2 |
| 6" [152mm] | 1 |
| 4" [102mm] | 1 |

DETAIL NOT TO SCALE

GE Healthcare
Healthcare Project Implementation - Design Center
Milwaukee, Wisconsin

SHEET TITLE: ELECTRICAL DETAILS
MODALITY TYPE: REVOLUTION CSI
THIS PLAN IS SUBMITTED TO SUGGEST LOCATION OF GE HEALTHCARE EQUIPMENT AND ASSOCIATED APPLIANCE, ELECTRICAL WIRING DETAILS, AND ROOM ARRANGEMENTS. IT IS NOT TO BE USED FOR ANY OTHER PURPOSES. THE COMPANY CANNOT ACCEPT RESPONSIBILITY FOR ANY DAMAGES RESULTING THEREFROM.

PROJECT TITLE:
MAINE MEDICAL CENTER
PORTLAND, MAINE

PROJECT REVISION
144013 01
DATE: 08.Dec.14
DRAWN BY: ECW
CHECKED BY: JGA
CON NO: 4264840
CON DT: 30.Dec.14

REVISION HISTORY:
1 ECW - 02.Jan.15
CHECKED BY: JGA

SHEET
E3

This drawing is based on Sketch No.: (14401300)
PIM R13
RQ - 148928