

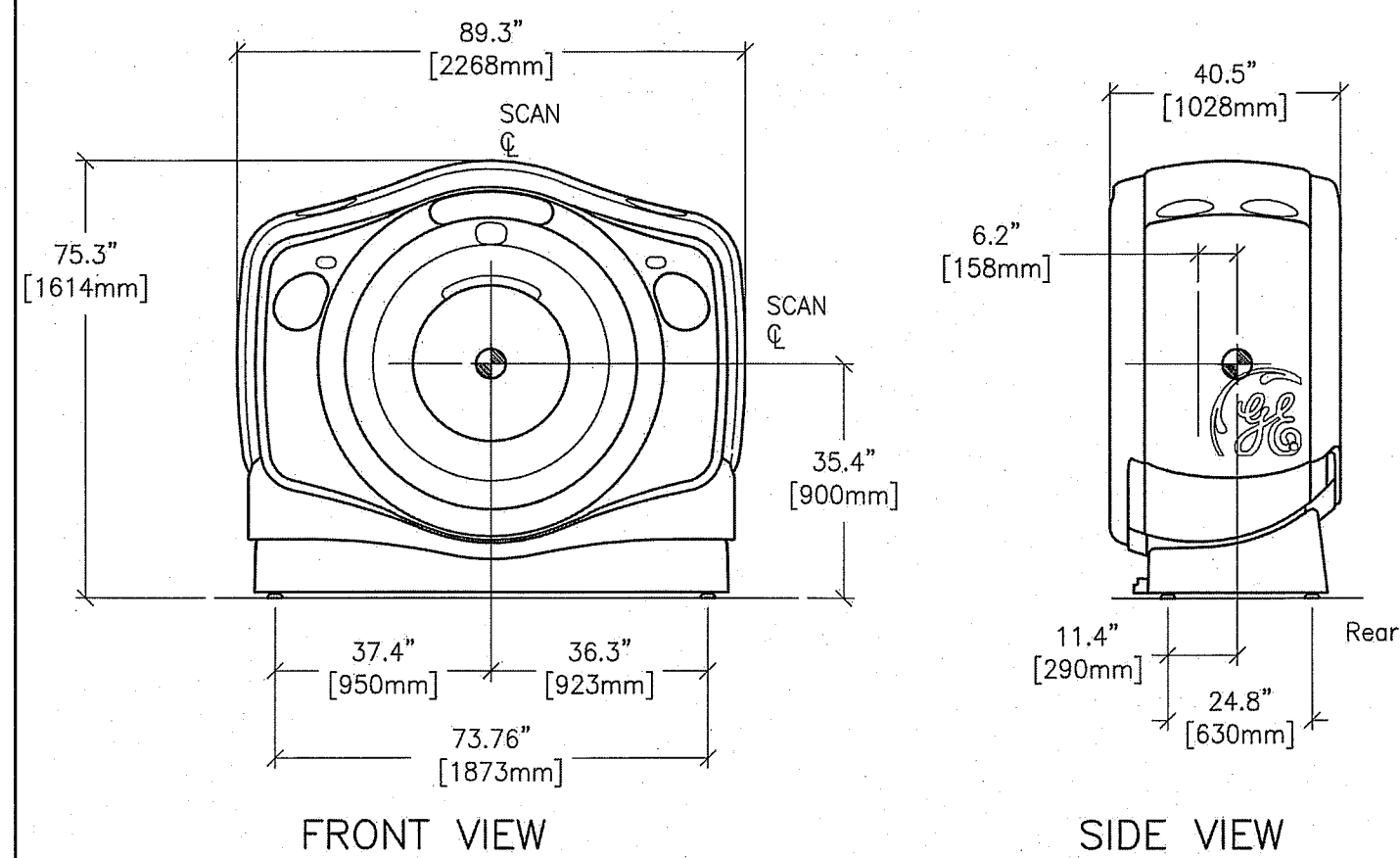
EQUIPMENT DETAIL
REVOLUTION/DISCOVERY CT GANTRY

B78-64K

REV. DATE: 07.Oct.14

SHIPPING DIMENSIONS:
114"(2900mm)L x 51"(1290mm)W x 79"(2000mm)H

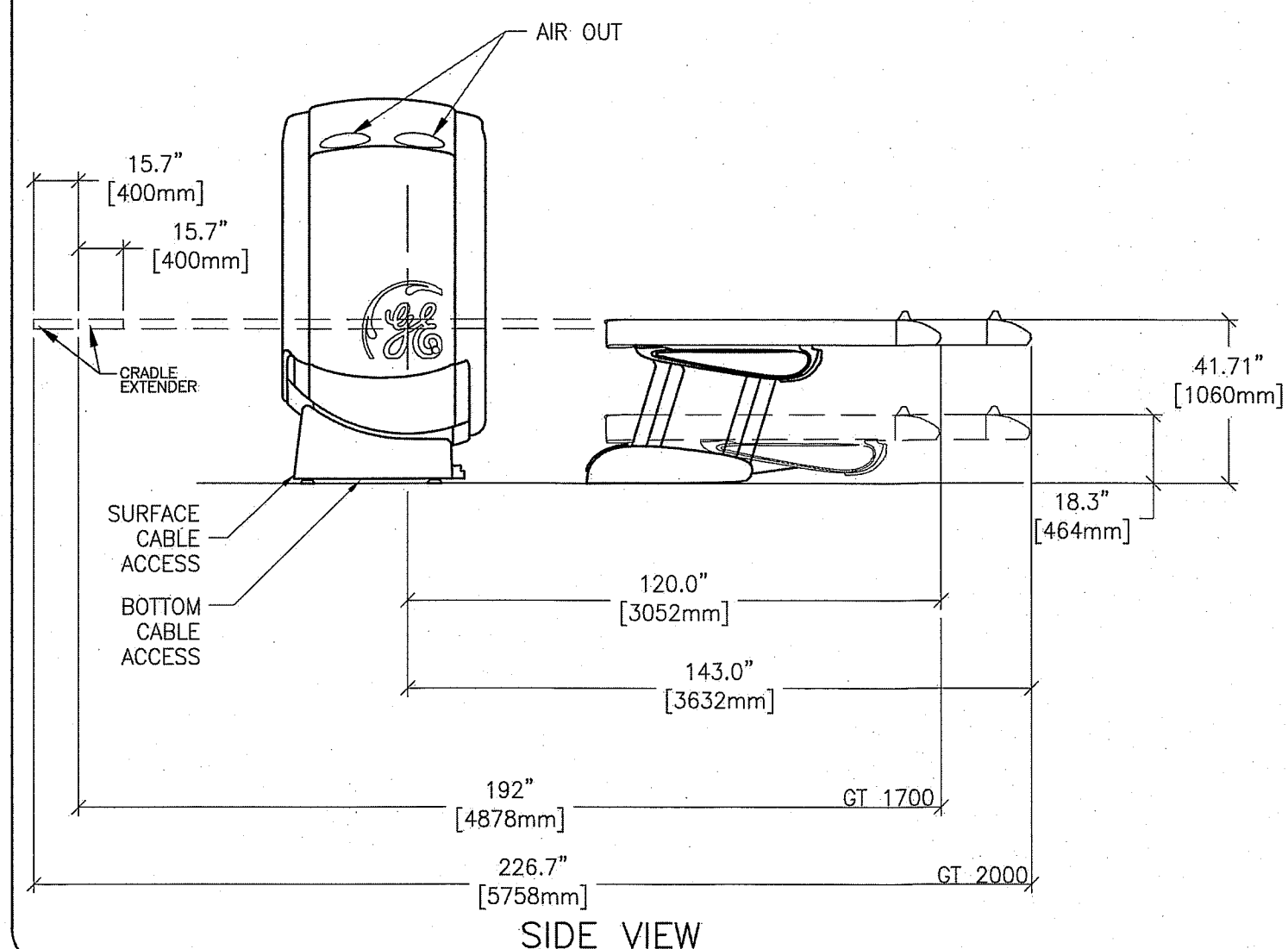
⊕ CENTER OF GRAVITY



EQUIPMENT DETAIL
CT GANTRY AND TABLE LAYOUT

B78-64B

REV. DATE: 21.Dec.11



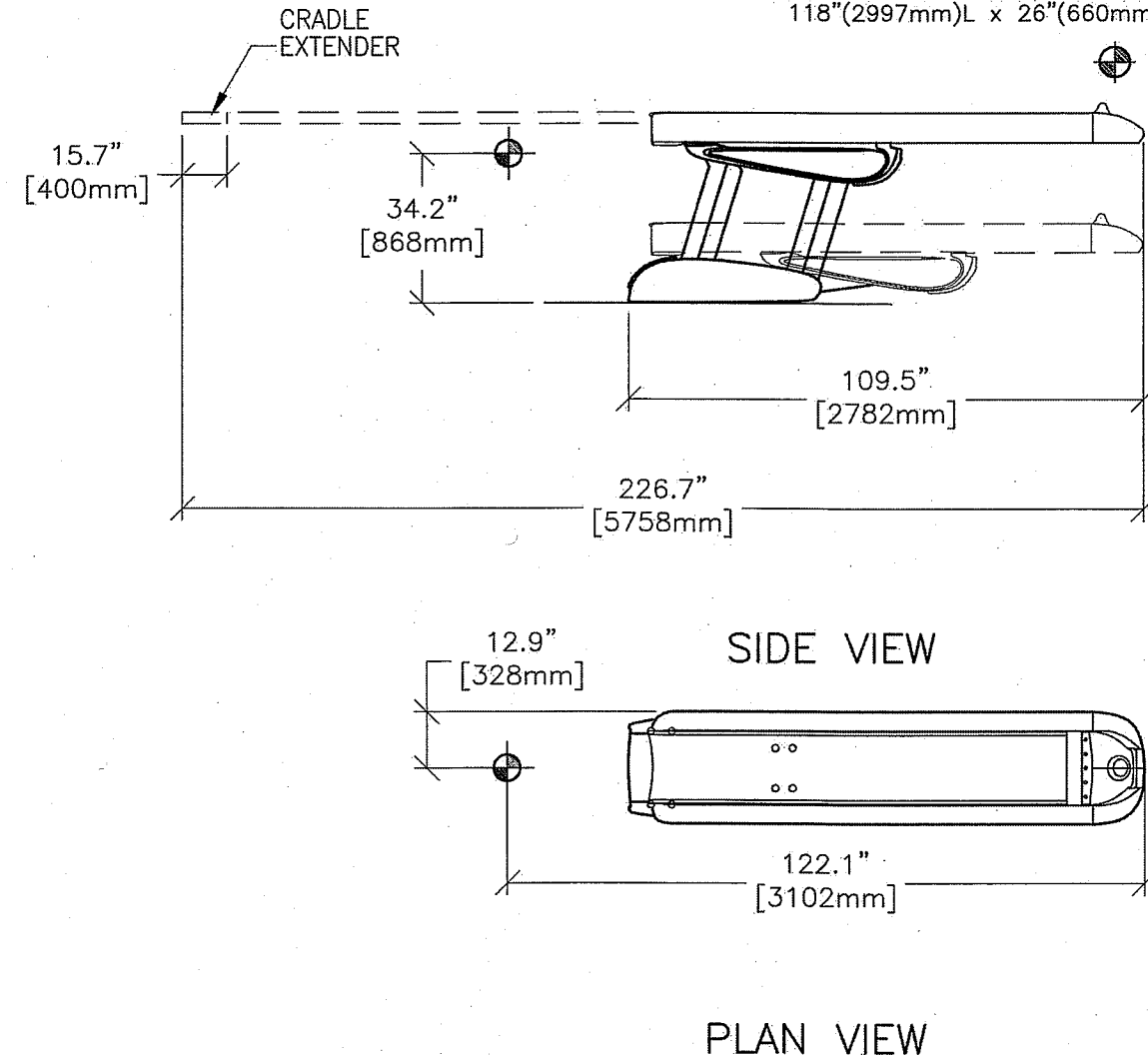
EQUIPMENT DETAIL
GT2000/VT2000x TABLE

B79-20

REV. DATE: 10.Jul.14

SHIPPING DIMENSIONS: W/ DOLLIES
118"(2997mm)L x 30"(762mm)W x 45"(1143mm)H
SHIPPING DIMENSIONS: W/O DOLLIES
118"(2997mm)L x 26"(660mm)W x 35"(889mm)H

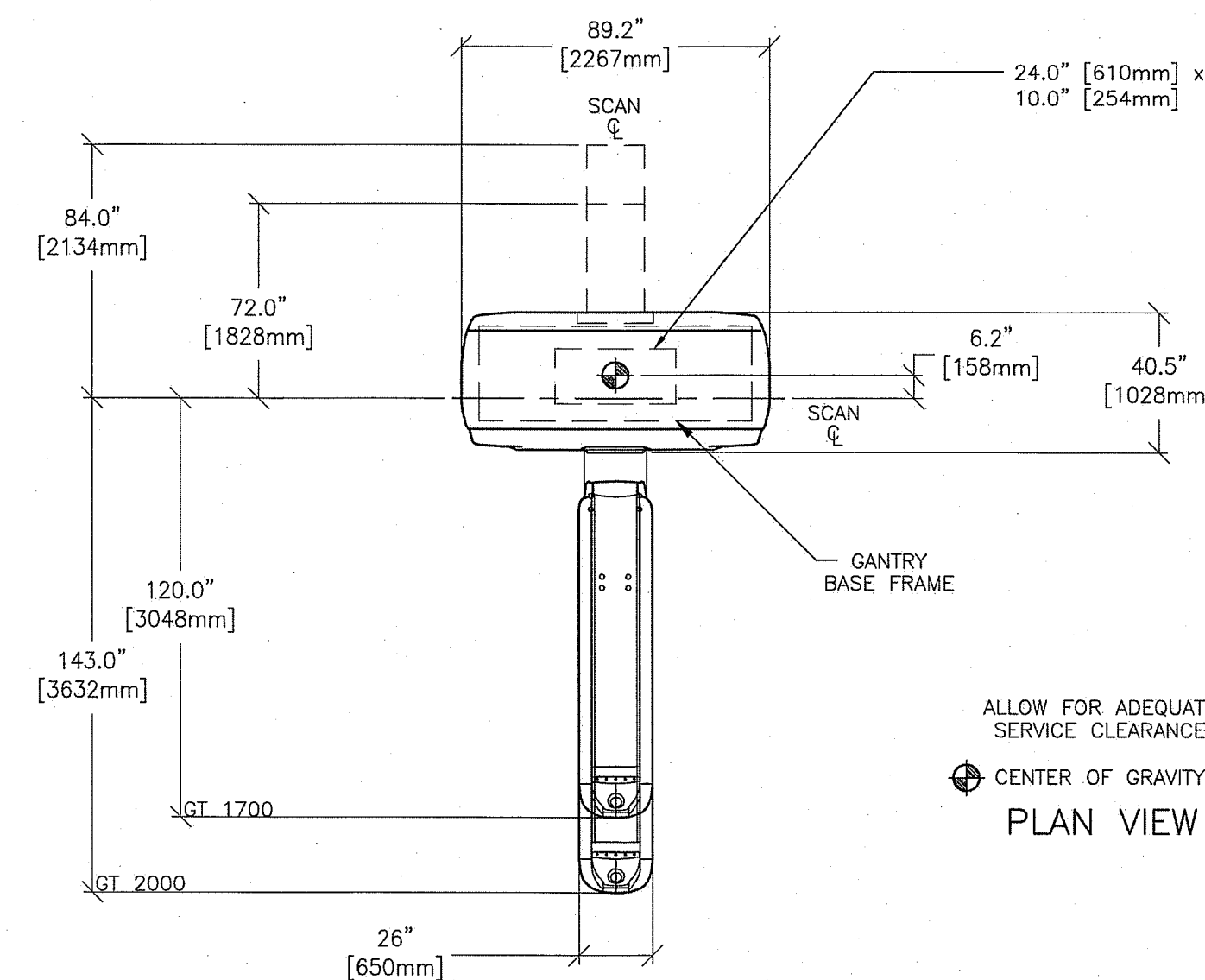
⊕ CENTER OF GRAVITY



EQUIPMENT DETAIL
REVOLUTION/DISCOVERY CT GANTRY AND TABLE LAYOUT

B78-64J

REV. DATE: 25.Sep.14



SHEET TITLE: EQUIPMENT DETAILS

MODALITY TYPE: REVOLUTION GSI

THIS PLAN IS SUBMITTED TO SUGGEST LOCATION OF GE HEALTHCARE EQUIPMENT AND ASSOCIATED APPARATUS, ELECTRICAL WIRING DETAILS AND ROOM ARRANGEMENTS. IT IS NOT TO BE USED FOR ACTUAL CONSTRUCTION PURPOSES, HOWEVER, AND THE COMPANY CANNOT ACCEPT RESPONSIBILITY FOR ANY DAMAGES RESULTING THEREFROM.

This drawing is based on Sketch No.: 14401300

PROJECT TITLE:

MAINE MEDICAL
CENTER
PORTLAND, MAINE

PROJECT	REVISION
144013	01
DATE:	08.Dec.14
DRAWN BY:	ECW
CHECKED BY:	JGA
GON NO:	4264840
GON DT:	30.Dec.14

REVISION HISTORY:	
1	ECW - 02.Jan.15
	CHECKED BY: JGA

SHEET

D2