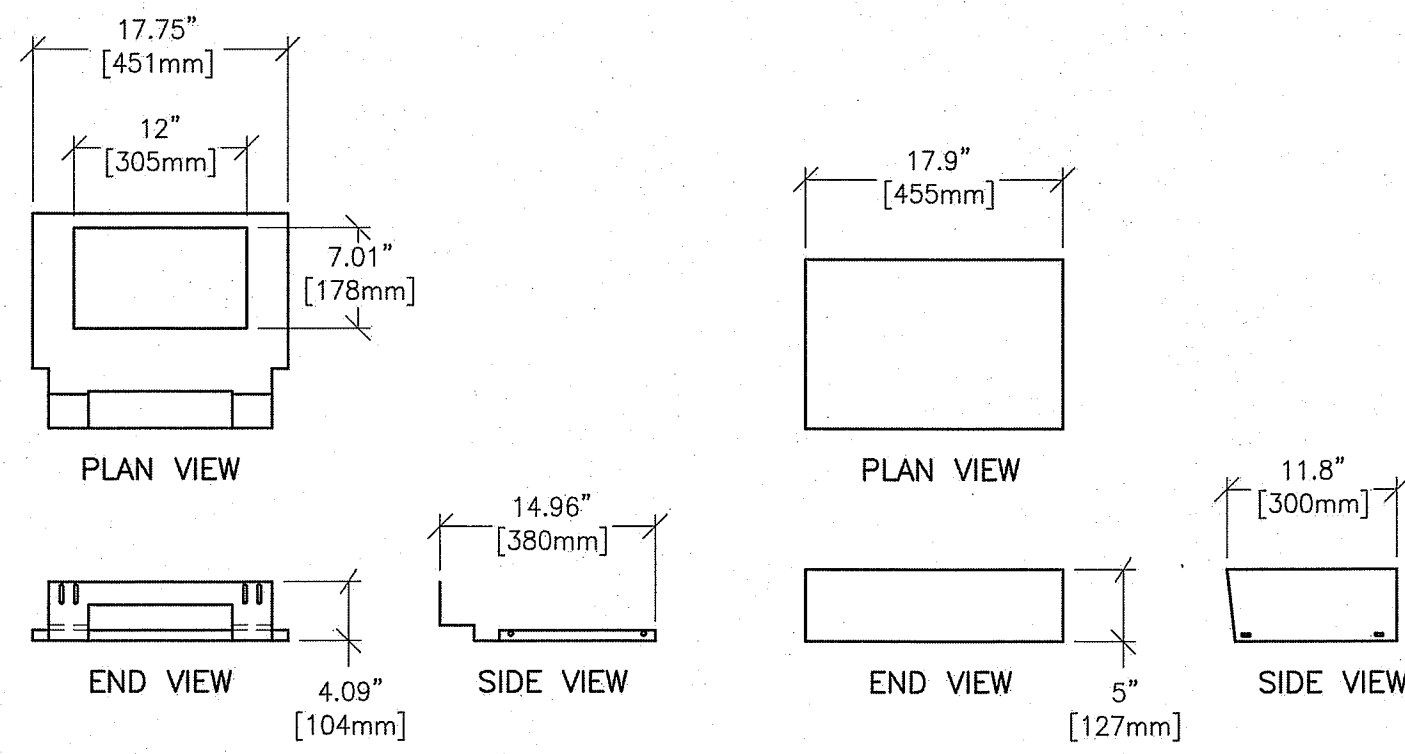


EQUIPMENT DETAIL
REAR CABLE COVER

B8141

REV. DATE: 30.May.12



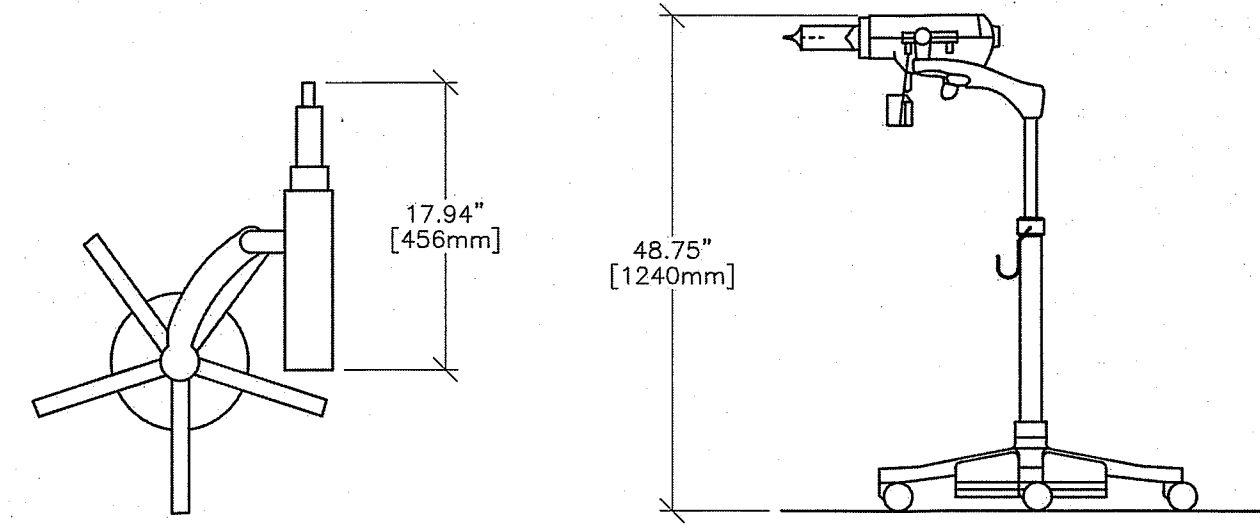
CABLE COVER PAN CABLE COVER

DETAIL NOT TO SCALE

EQUIPMENT DETAIL
ENVISION INJECTOR ON PEDESTAL

B80-07A

REV. 01: 7/10/08



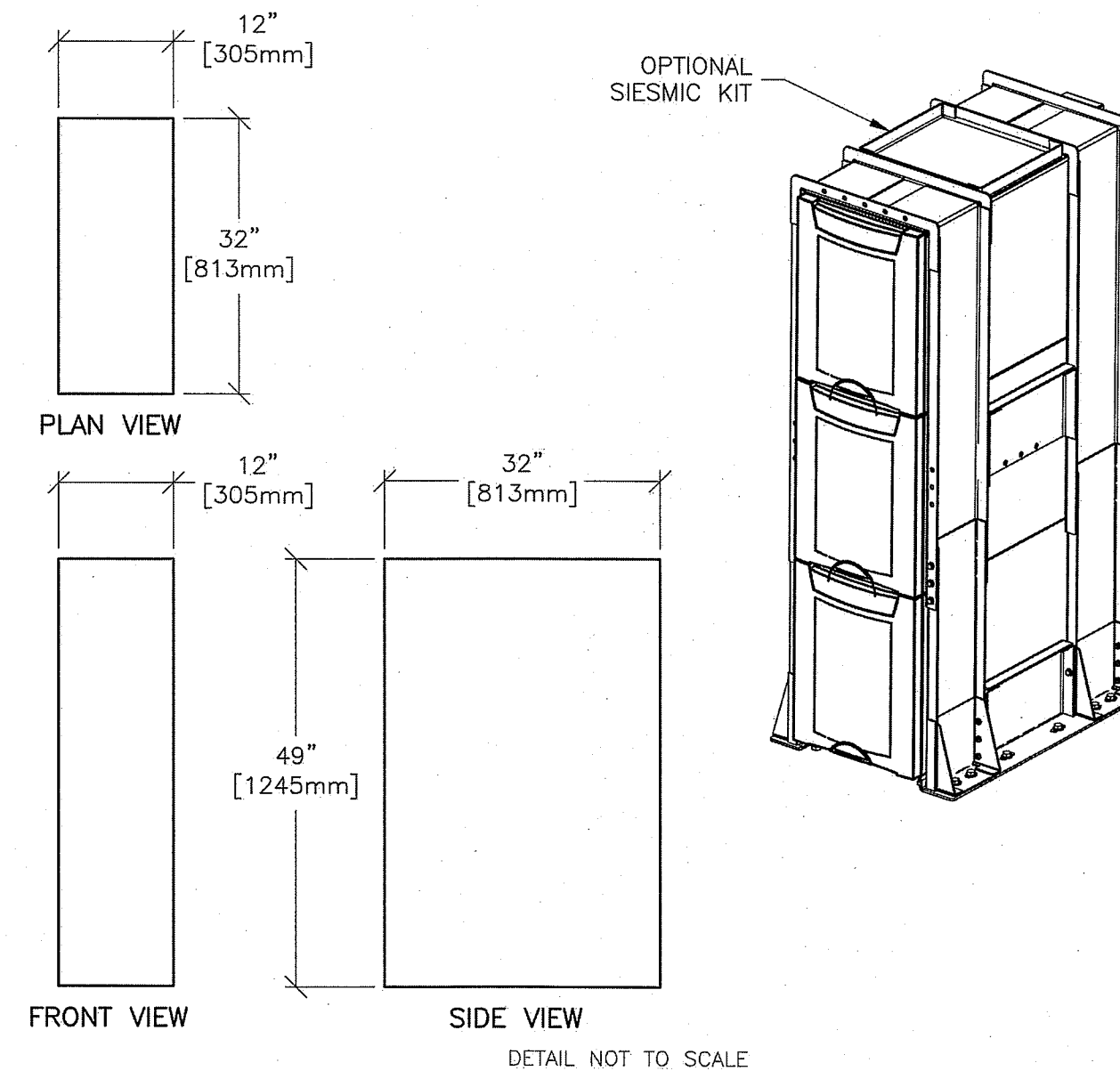
PLAN VIEW SIDE VIEW

DRAWING NOT TO SCALE

EQUIPMENT DETAIL
UPS SYSTEM (CAT. NO. B7864PZ/P5064PS/E4502F)

B7864PZ

REV. DATE: 04/21/09



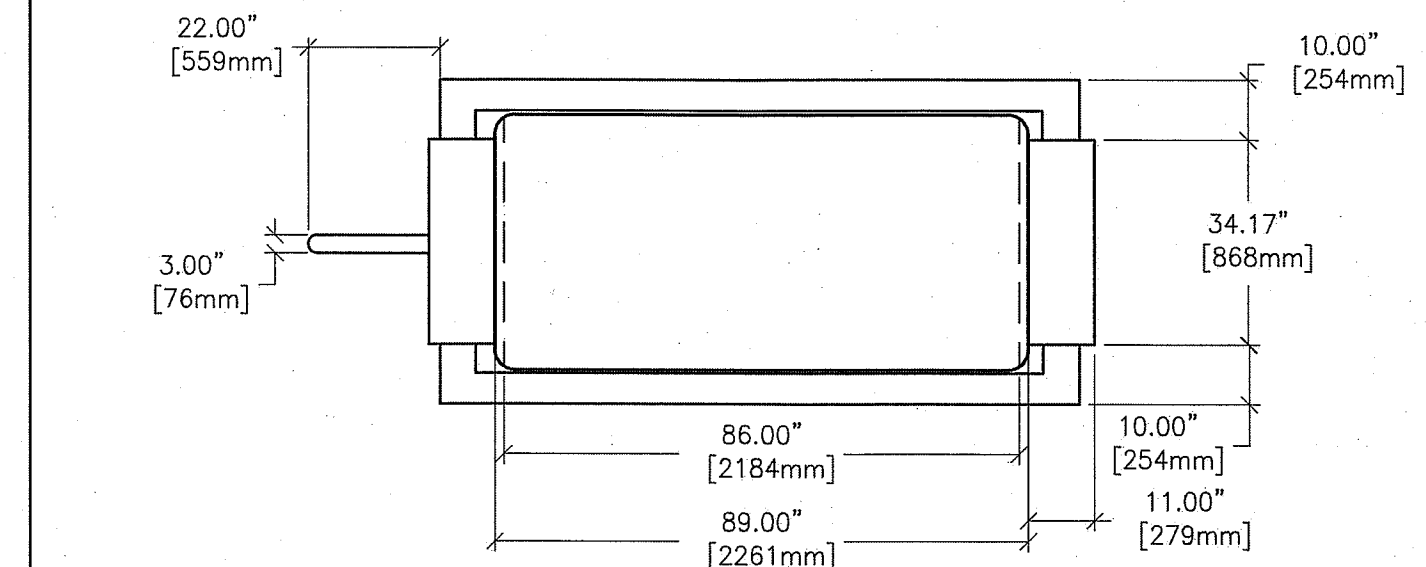
FRONT VIEW SIDE VIEW

DETAIL NOT TO SCALE

EQUIPMENT DETAIL
CT GANTRY SHIPPING DETAIL

B78-64D

REV. DATE: 01/28/09



PLAN VIEW

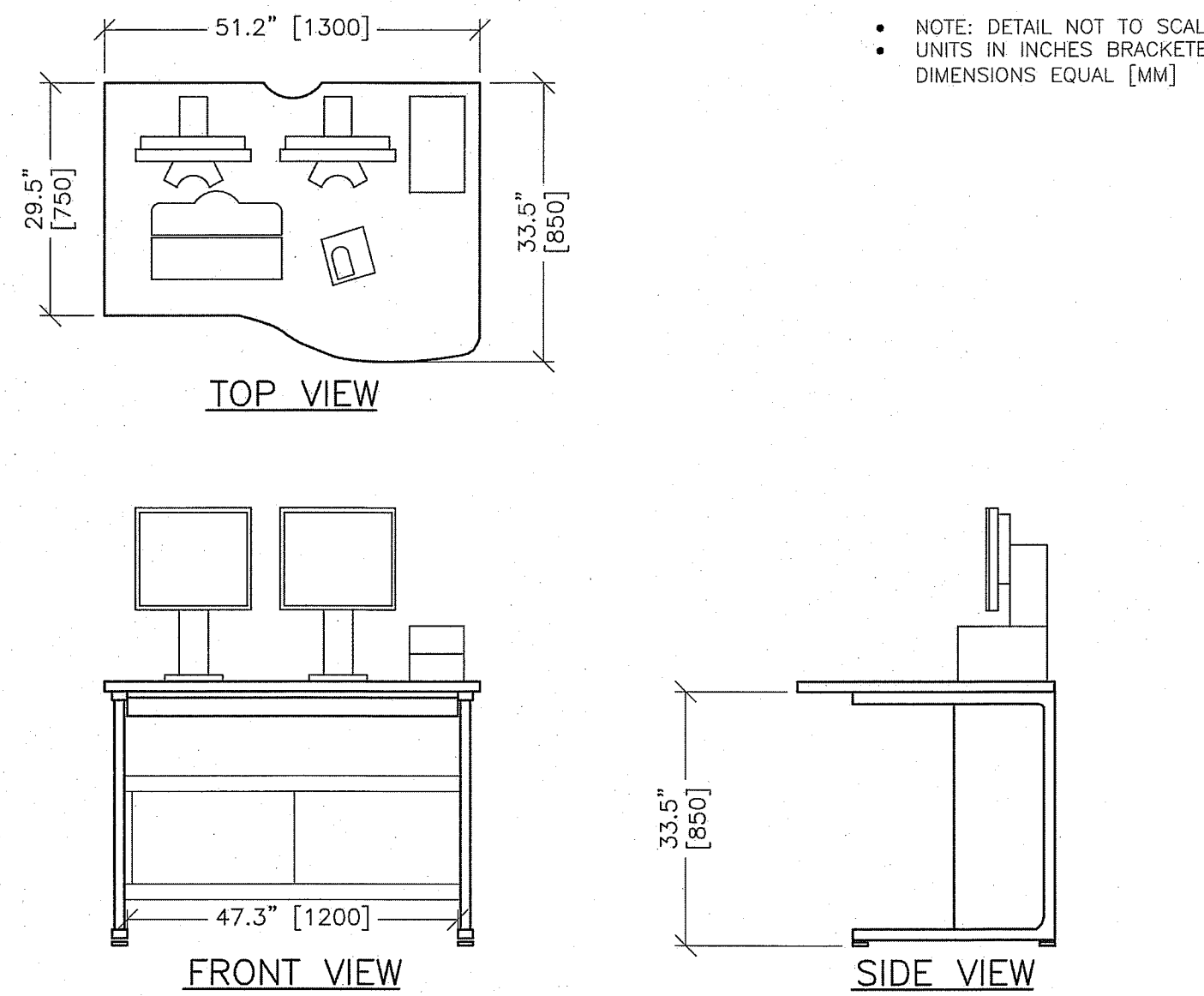
GANTRY DELIVERY SIZE OPTIONS

CONFIGURATION	WEIGHT lb (kg)	DIMENSIONS			PERSONS NEEDED	ADDITIONAL PERSON HOURS	COMMENT
		LENGTH ft. (mm)	WIDTH ft. (mm)	HEIGHT ft. (mm)			
DOLLIES ON, SIDE RAILS ON	4260 [1932]	114 [2900]	51 [1290]	79 [2000]	2	0	VAN DRIVERS DELIVER EQUIPMENT TO ROOM. GE REPS. SUPERVISE AND ASSIST. HEIGHT IS WITH 1 IN. [25.4mm] CLEARANCE FROM FLOOR.
DOLLIES ON, SIDE RAILS REMOVED	4210 [1910]	114 [2900]	39.4 [1000]	79 [2000]	2	0.5	WITH RAILS REMOVED, BE VERY CAREFUL TO PREVENT DAMAGE TO COVERS.
REMOVE SIDE RAILS AND ONE DOLLY					2	1.5	THIS CONFIGURATION IS USED TO GET GANTRY INTO A 9 FT. [2.74m] ELEVATOR.
GANTRY SET ON AUX. DOLLIES					2	2.5	DO NOT PUSH ON GANTRY COVERS. PUSH ONLY ON FRAME MEMBERS. AUX. DOLLIES PROVIDE 2.3 IN. [58mm] CLEARANCE FROM FLOOR.
REMOVE COVERS - USE SHIPPING DOLLIES					4	1.5	USE EXTREME CARE IN REMOVING, HANDLING AND INSTALLING COVERS. SEE PROCEDURE IN DIRECTION 2243312-100, QX/1 PLUS GENERAL SYSTEM INSTALLATION.
REMOVE COVERS - USE AUX. DOLLIES					4	3.5	SEE TWO PREVIOUS COMMENTS.
DOLLIES OFF, COVERS OFF	4110 [1864]	81 [2060]	34 [860]	73 [1850]	4	3.5	SEE LIFTING PROCEDURE DIRECTION 2243312-100, QX/1 PLUS GENERAL SYSTEM INSTALLATION.

EQUIPMENT DETAIL
OPERATORS CONSOLE - OPTIMA DESK

B78-18G

REV. DATE: 10.Jul.14

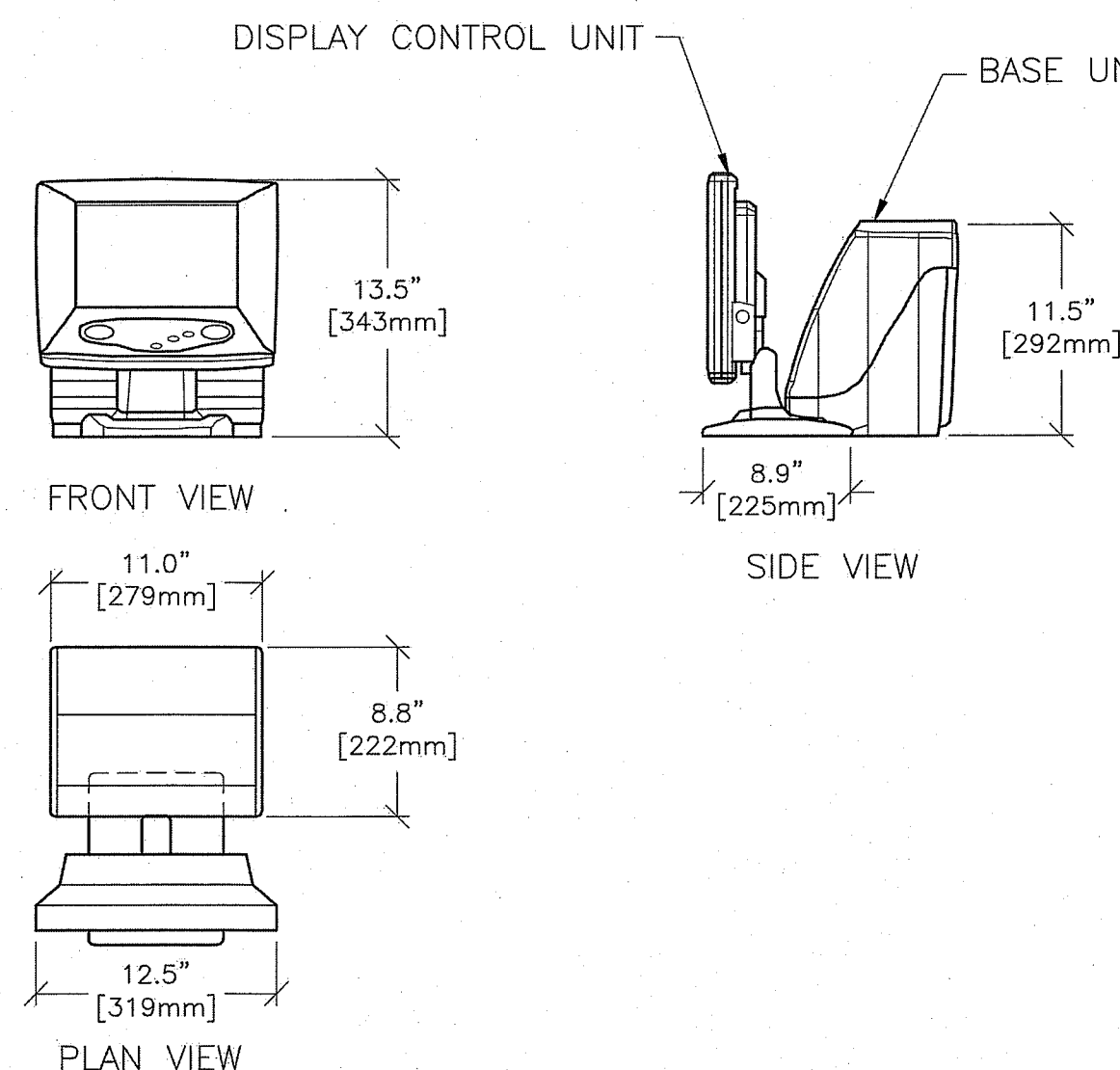


NOTE: DETAIL NOT TO SCALE
UNITS IN INCHES BRACKETED
DIMENSIONS EQUAL [MM]

EQUIPMENT DETAIL
STELLANT INJECTOR ELECTRONICS

E80-07N

REV. DATE: 19.SEP.13

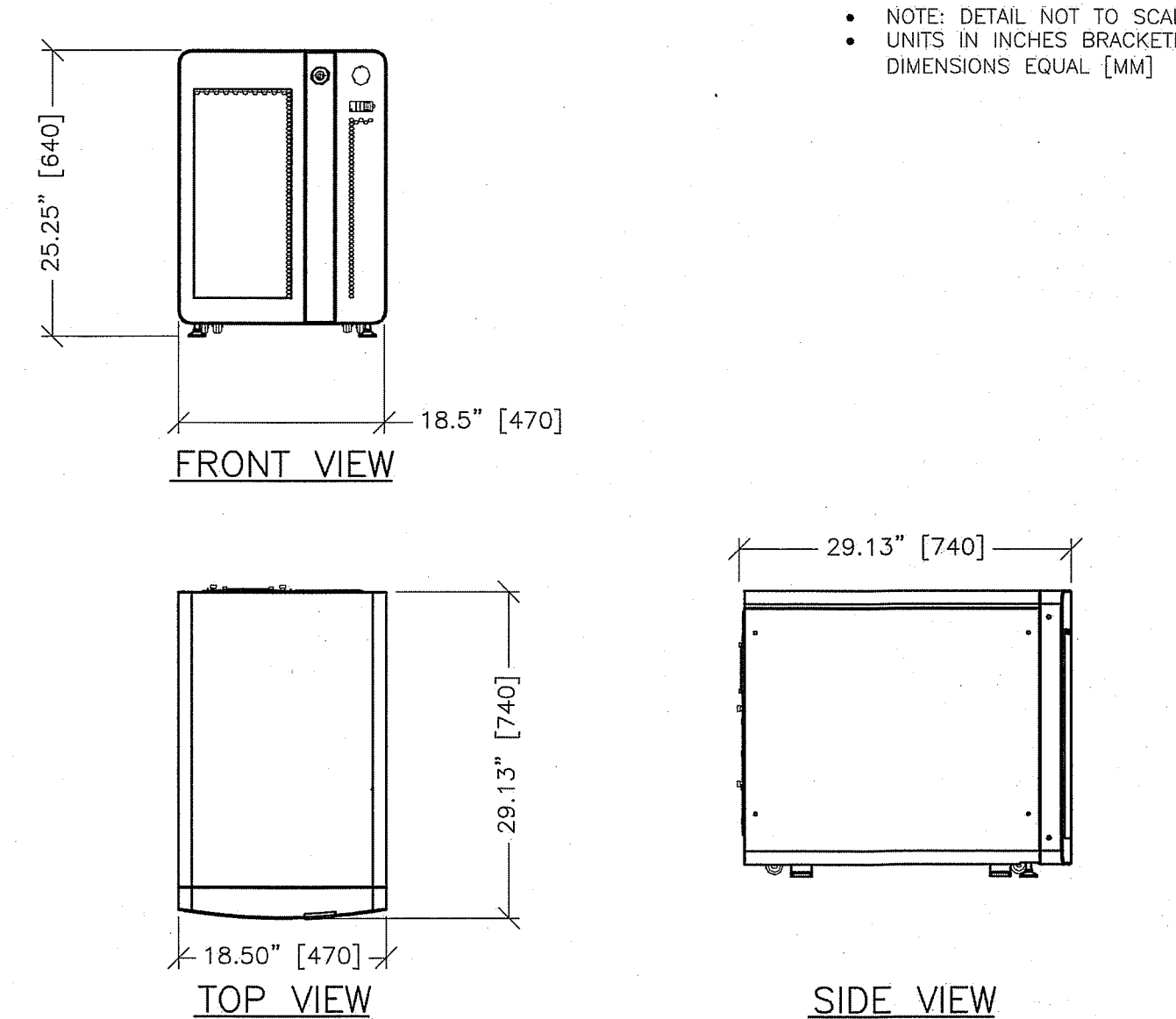


DRAWING NOT TO SCALE

EQUIPMENT DETAIL
T.I.O. OPERATORS CONSOLE - COMPUTER

B81-05

REV. DATE: 20.Nov.12

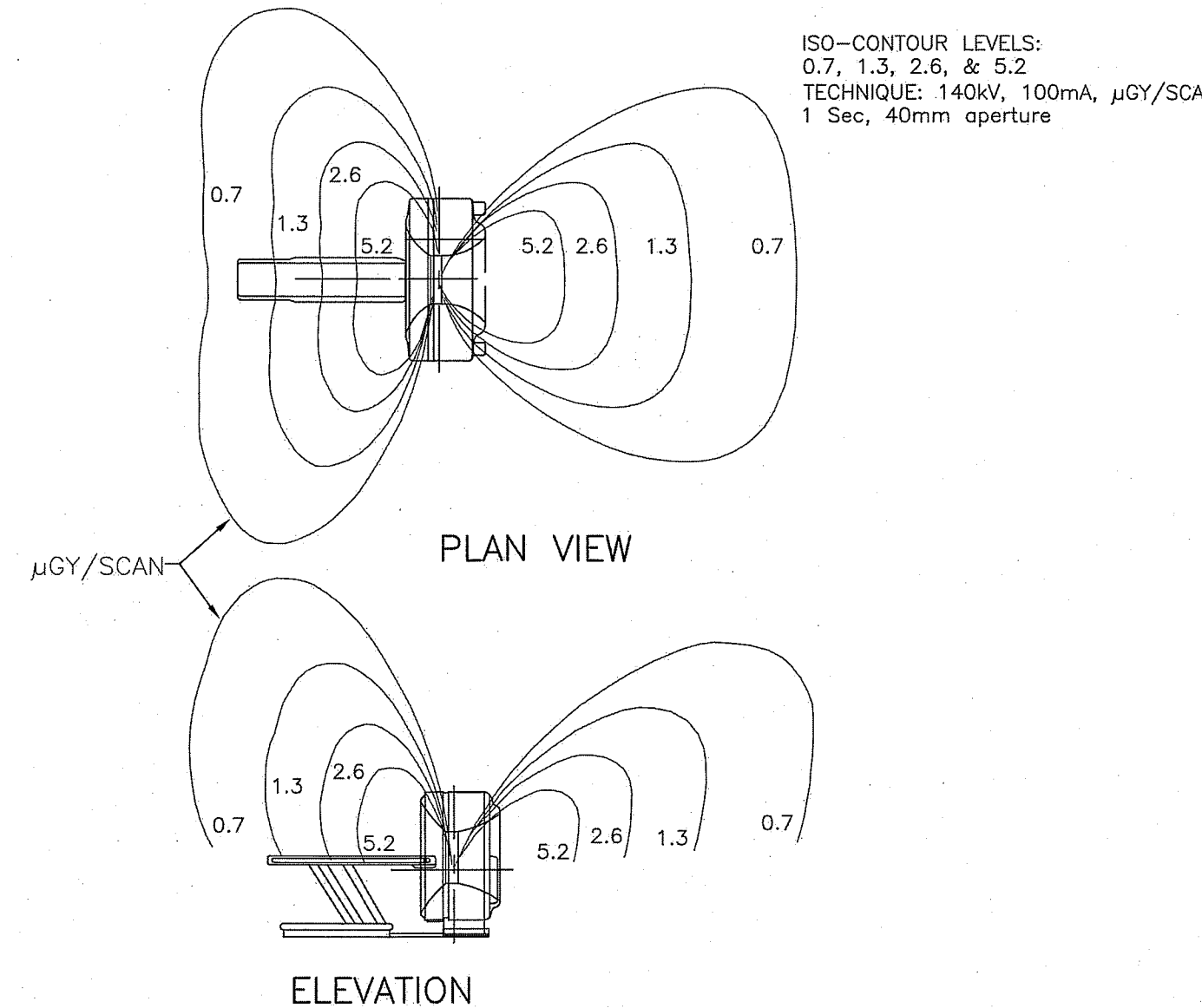


NOTE: DETAIL NOT TO SCALE
UNITS IN INCHES BRACKETED
DIMENSIONS EQUAL [MM]

EQUIPMENT DETAIL
CT TYPICAL SCATTER SURVEY

B78-64E1

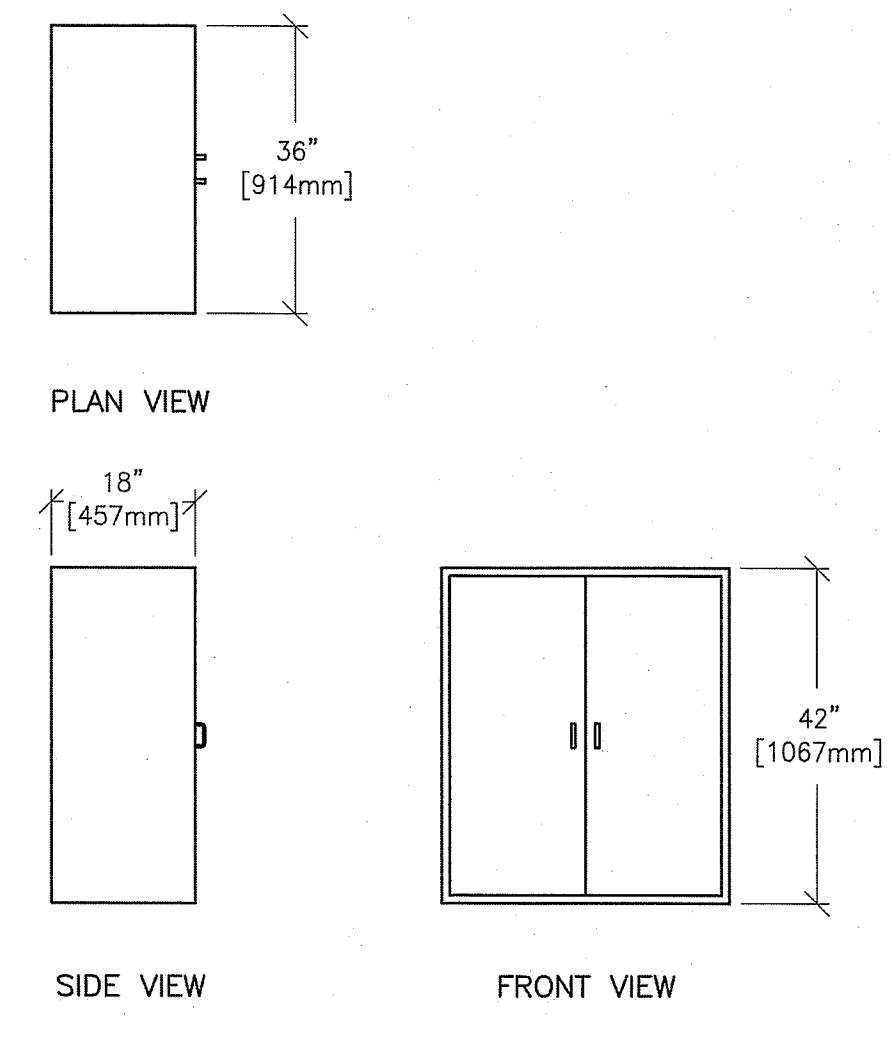
REV. DATE: 11/06/09



EQUIPMENT DETAIL
TYPICAL STORAGE CABINET

M33005

REV. DATE: 02/26/09

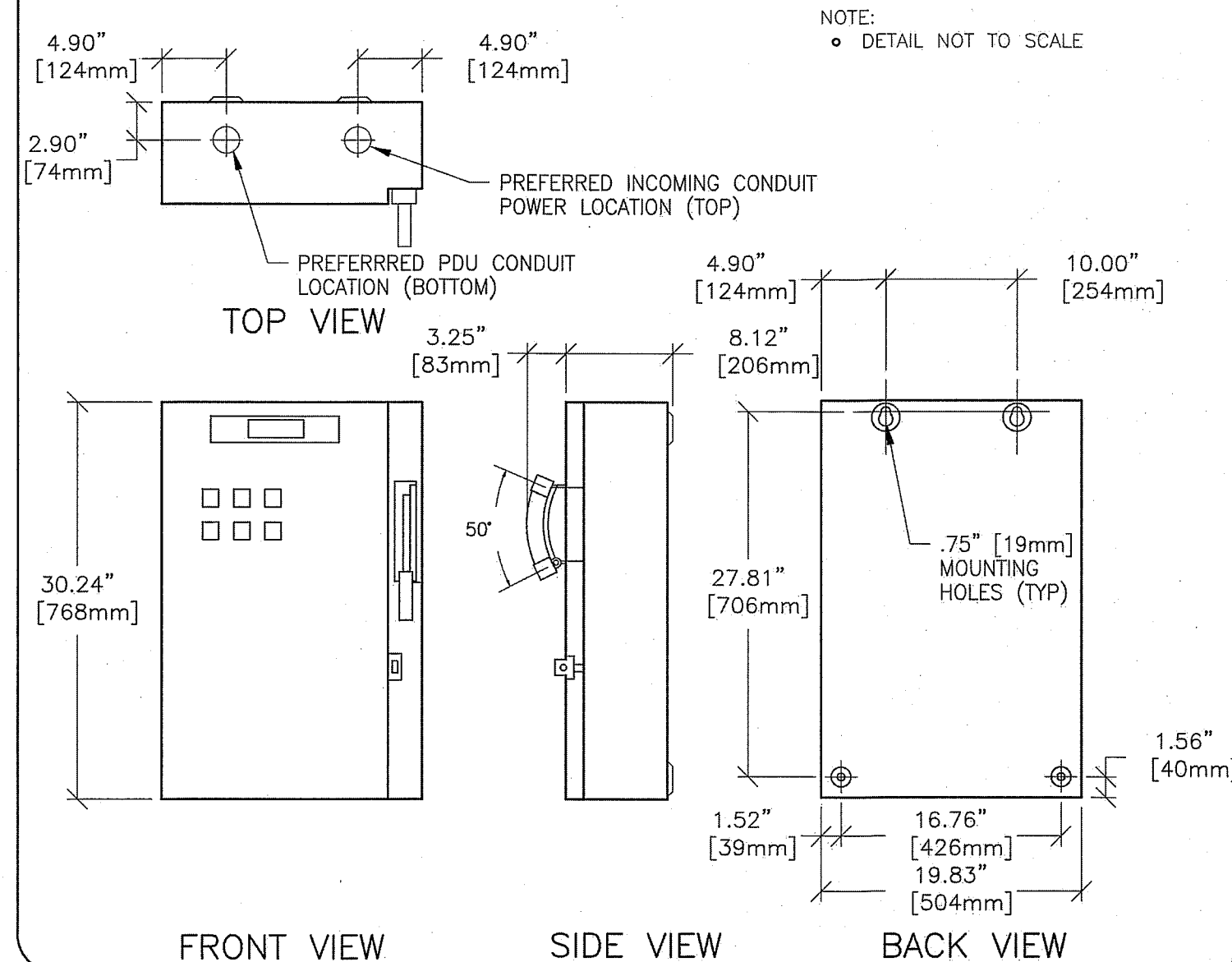


DETAIL NOT TO SCALE

EQUIPMENT DETAIL
MAIN LINE CONTACTOR - OPTIONAL

E45-02AE

REV. DATE: 02/20/04

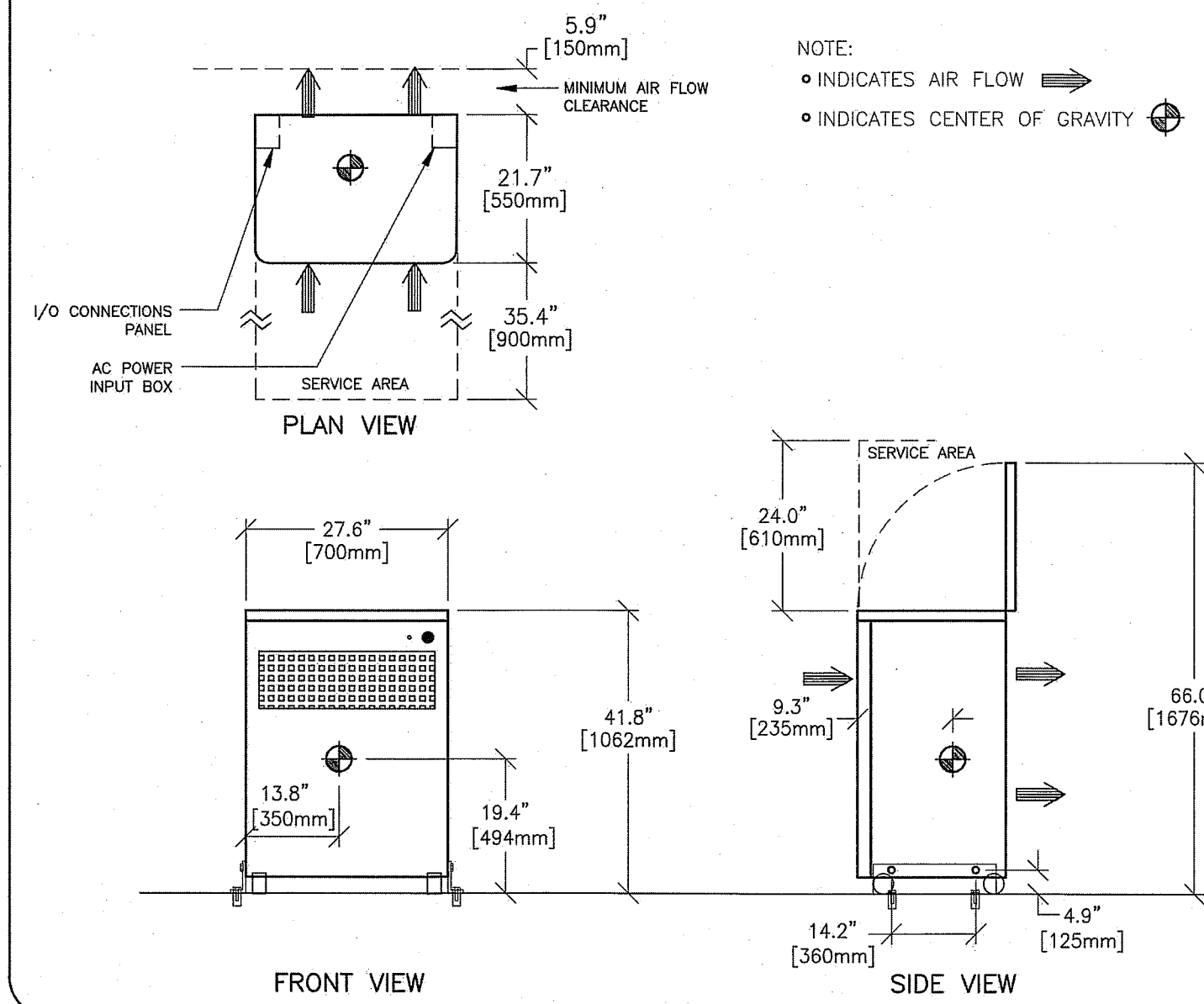


NOTE:
• DETAIL NOT TO SCALE

EQUIPMENT DETAIL
POWER DISTRIBUTION UNIT

B78-58D

REV. DATE: 01/28/09

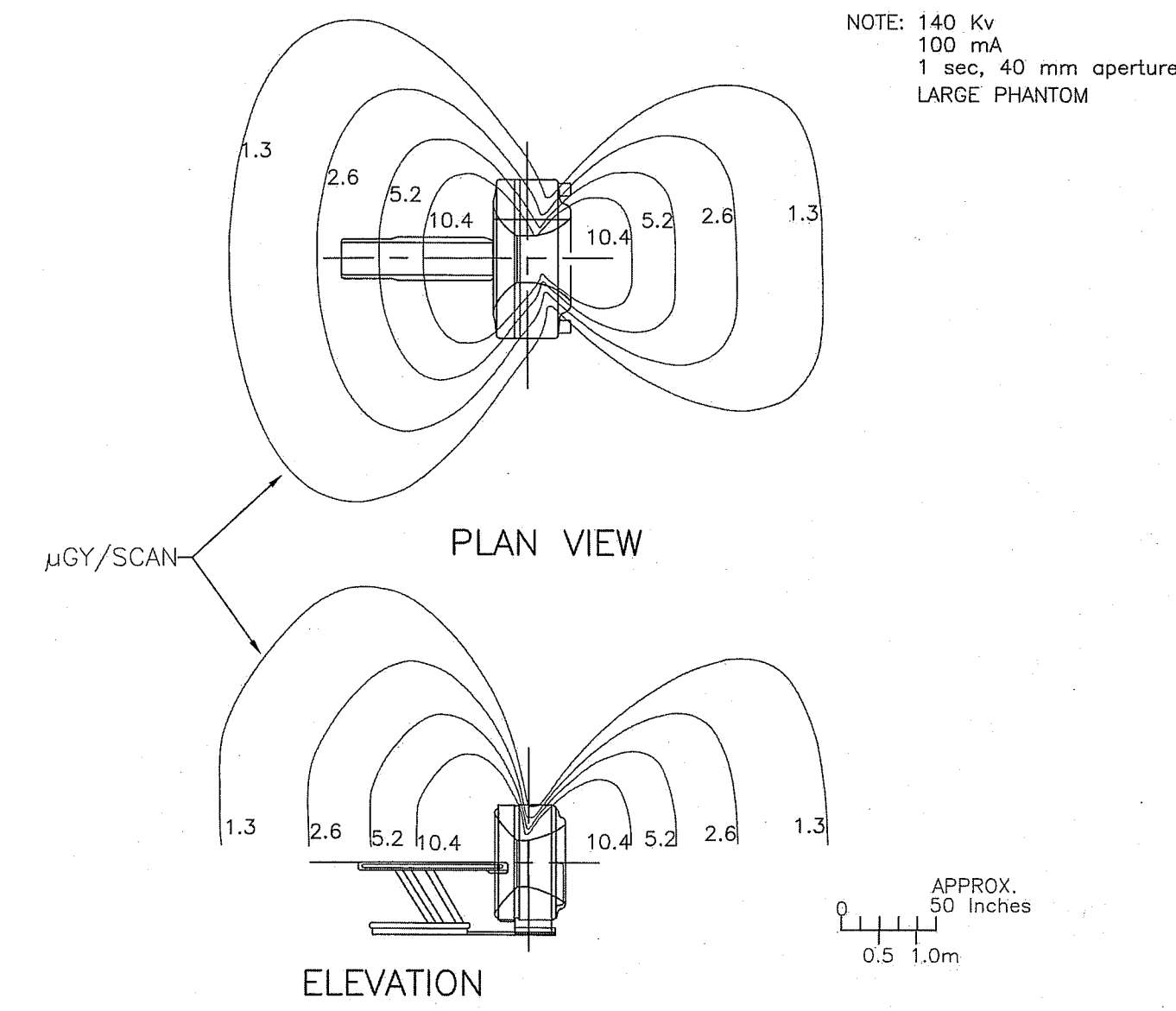


NOTE:
• INDICATES AIR FLOW
• INDICATES CENTER OF GRAVITY

EQUIPMENT DETAIL
CT TYPICAL SCATTER SURVEY

B78-64E

REV. DATE: 05/12/05



APPROX.
50 Inches
0.5 1.0m

THIS SHEET IS PART OF THE DOCUMENT SET LISTED ON SHEET C1 AND SHOULD NOT BE SEPARATED

SHEET TITLE: EQUIPMENT DETAILS
MODALITY TYPE: REVOLUTION GSI

THIS PLAN IS SUBMITTED TO SUGGEST LOCATION OF GE HEALTHCARE EQUIPMENT AND ASSOCIATED APPARATUS, ELECTRICAL WIRING DETAILS AND ROOM ARRANGEMENTS. GE HEALTHCARE SHALL BE RESPONSIBLE FOR THE LOCATION OF THE EQUIPMENT TO BE INSTALLED. THIS PLAN IS NOT TO BE USED FOR ACTUAL CONSTRUCTION PURPOSES, HOWEVER, AND THE COMPANY CANNOT ACCEPT RESPONSIBILITY FOR ANY DAMAGES RESULTING THEREFROM.

MAINE MEDICAL CENTER
PORTLAND, MAINE

PROJECT TITLE:

PROJECT	REVISION
144013	01
DATE:	08.Dec.14
DRAWN BY:	ECW
CHECKED BY:	JGA
CON NO.:	4264840
CON DT.:	30.Dec.14

REVISION HISTORY:
1 ECW - 02.Jan.15
CHECKED BY: JGA

SHEET

D1

This drawing is based on Sketch No.: 14401300
PIM R13
RQ - 148928

GE Healthcare



Healthcare Project Implementation - Design Center
Milwaukee, Wisconsin