

PLUMBING FIXTURE SCHEDULE						
TAG	DESCRIPTION	FIXTURE	FAUCET/DRAIN	TRIM	SUPPORT	NOTES
SK-A	WALL HUNG VITREOUS CHINA SINK - ADA	KOHLER #K-2007 "KINGSTON" VITREOUS CHINA, SINGLE HOLE.	SLOAN OPTIMA "SOLIS" #EAF-275-ISM. FAUCET, CHICAGO #337-CP GRID DRAIN AND OFFSET TAILPIECE, MCGUIRE #8902 P-TRAP.	MCGUIRE #LFH170LK LOOSE KEY ANGLE STOPS, ESCUTCHEONS AND RISERS-CHROME PLATED.	ZURN #1231	①②
SK-B	INJECTION ROOM SINGLE BOWL DROP IN SINK - ADA	ELKAY #LRAD15220365, 18 GAUGE, 304 SS, 11-1/2"x16"x8-1/2" DEEP. (3) HOLES 4" ON CENTER	CHICAGO FAUCET #786-E36ABCP, LKAD18 GRID DRAIN & OFFSET TAILPIECE, MCGUIRE #8912 P-TRAP.	MCGUIRE #LFH171LK LOOSE KEY ANGLE STOPS, ESCUTCHEONS AND RISERS-CHROME PLATED.	-	①

NOTES: ① PROTECT EXPOSED PIPING - TRUEBRO #102-EZ.
② PROVIDE #EAF-12, 0.5 GPM LAMINAR FLOW OUTLET

PLUMBING FIXTURE CONNECTION SCHEDULE					
FIXTURE	CW	HW	WASTE	VENT	NOTES
SINK	1/2"	1/2"	1-1/2"	1-1/2"	

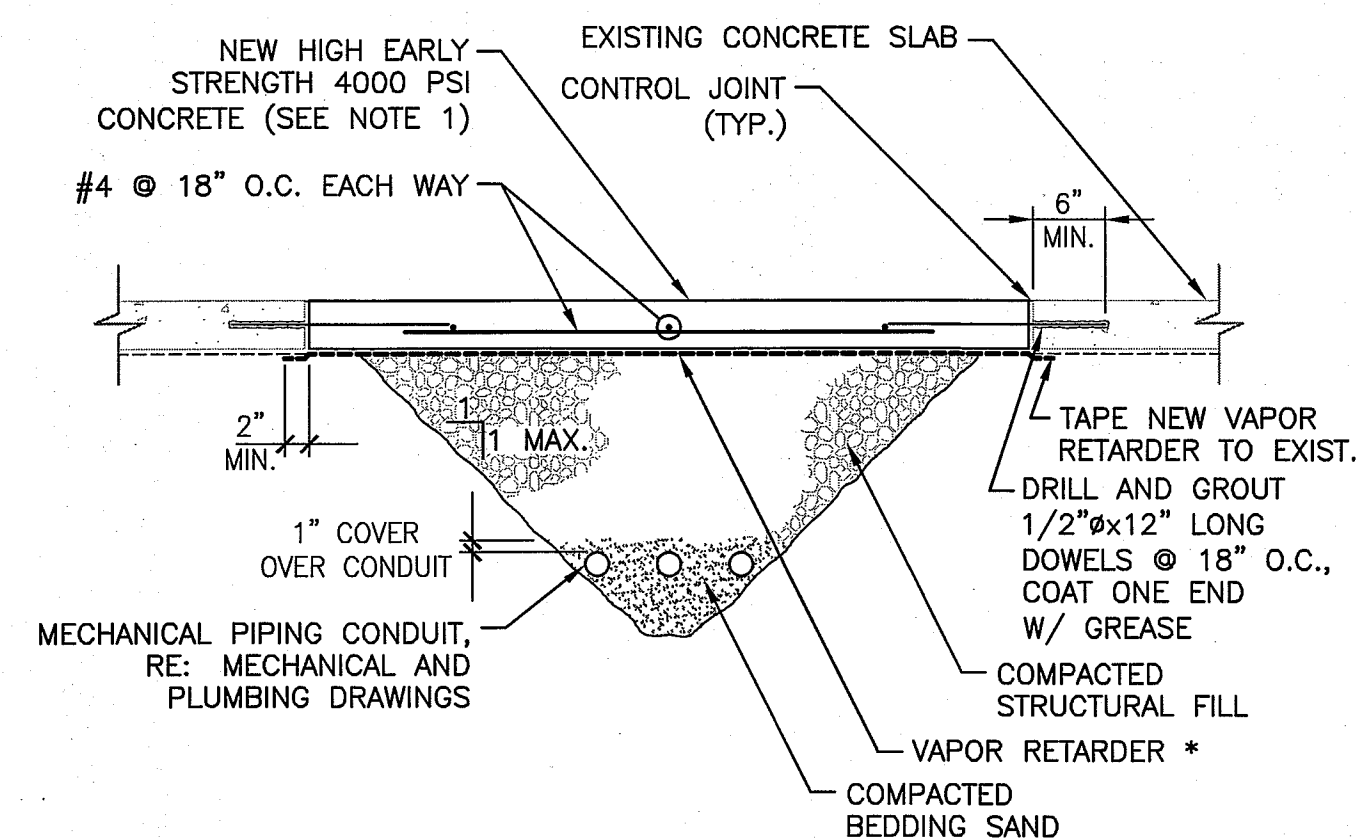
NOTES:

PLUMBING SPECIALTIES SCHEDULE				
TAG	APPLICATION	TYPICAL UNIT MFG & MODEL NO.	DESCRIPTION	NOTES
EE-A	EMERGENCY EYE FACE WASH MIXING VALVE	LEONARD #TA-300-CP-IT-TOP	FAIL COLD, 10 PSIG MAX. DROP AT 4 GPM FLOWING, CHROME PLATED, TOP INLETS, INLET THERMOMETERS.	
EE-B	EMERGENCY EYE WASH / DRENCH HOSE UNIT	GUARDIAN #GS022BP	DECK MOUNTED	

NOTES:

MEDICAL GAS SCHEDULE								
TAG	DESCRIPTION	MODEL NUMBER	O2	MA	MV	CO2	WAGD	NOTES
ZVB-A	ZONE VALVE BOX SERVING SPECT/CT RM B337	BEACON MEDAES # 150202-00	1/2"	-	3/4"	-	-	②
AP-A	ALARM PANEL SERVING SPECT/CT B337	BEACON MEDAES TOTAL ALERT 2 # 6-TAZAR-OVBB	1/2"	-	3/4"	-	-	②
WO-A	WALL OUTLETS	BEACON MEDAES SERIES B MEDICAL GAS OUTLETS	EXISTING	-	EXISTING	-	1	①

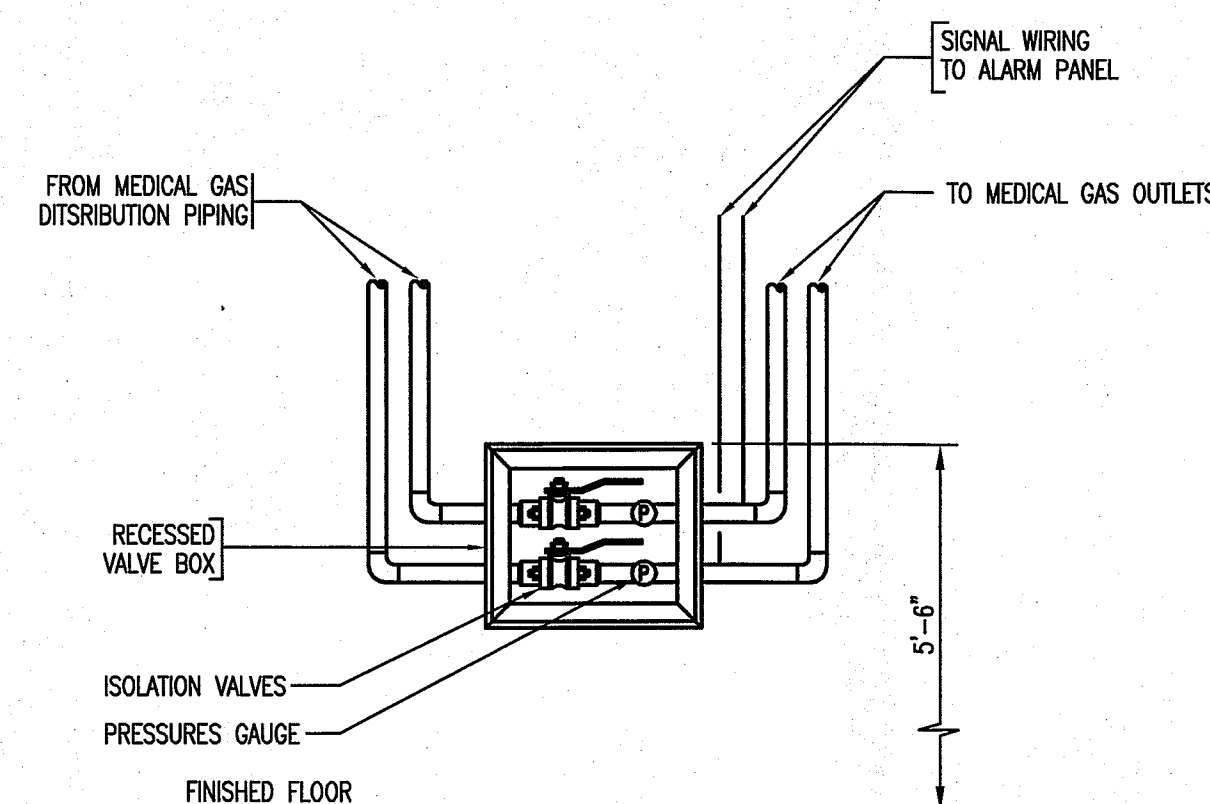
NOTES: ① PROVIDE WALL OUTLETS (BEACON MEDAES) COORDINATE CONNECTION STYLE WITH FACILITY STANDARD
② PROVIDE GAUGES ON ALL MEDICAL GASES LOCATED WITHIN ZONE VALVE BOX. PER NFPA 99C



- NOTES:
- CONCRETE SHALL BE LOW SLUMP (<4"), HIGH EARLY STRENGTH WITH RAPID SETTING CEMENT BY CTS OR EQUAL.
 - NEW CONCRETE SLAB THICKNESS SHALL MATCH EXISTING.
 - PROVIDE TRANSVERSE SAW CUT CONTROL JOINTS THAT ARE 1/4 OF THE SLAB DEPTH AND ARE SPACED 1.5x THE TRENCH WIDTH.
 - PROVIDE CONTROL JOINTS AT INTERFACE BETWEEN NEW AND EXISTING CONCRETE.
 - WET CURE FOR 7 DAYS MINIMUM.
 - * VAPOR RETARDER REQUIRED ONLY IF THERE IS A VAPOR RETARDER UNDER EXISTING SLAB.

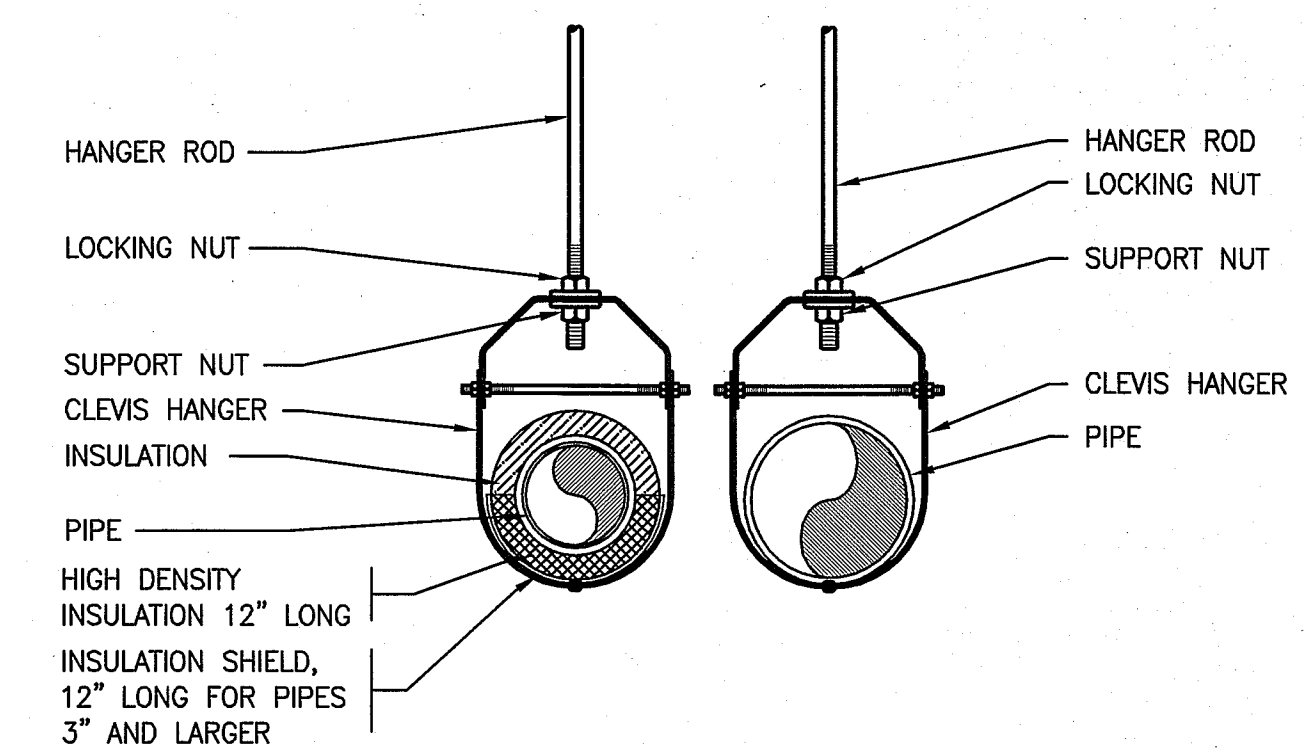
A4 TYPICAL TRENCHING DETAIL

NOT TO SCALE



A8 MEDICAL GAS ZONE VALVE BOX

NOT TO SCALE



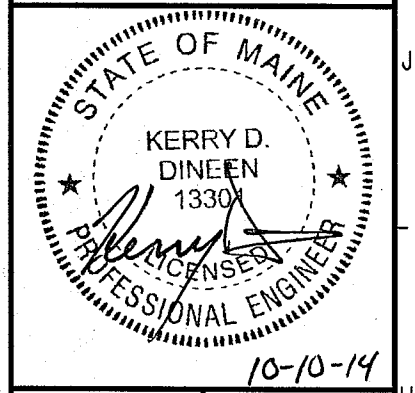
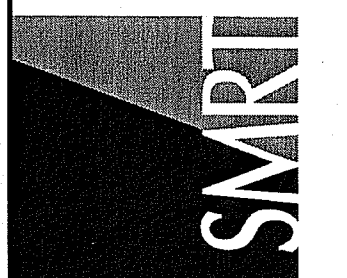
HANGER ROD SCHEDULE		HANGER ROD SPACING	
PIPE SIZE	ROD SIZE	PIPE SIZE	MAX. ALLOWABLE SPACING
UP TO 2"	3/8" DIA.	1"	7'
2 1/2" THRU 3"	1/2" DIA.	1 1/4"	8'
4" AND 5"	5/8"	1 1/2"	9'
6" THRU 8"	3/4"	2"	10'
12"	7/8"	2 1/2"	11'
		3" THRU 8"	12'
		10" & 12"	15'

A12 PIPE HANGER DETAIL

NOT TO SCALE

144 Fore Street, P.O. Box 618
Portland, Maine 04104
tel. (207) 772-3846
fax. (207) 772-1070
www.smdinc.com

ARCHITECTURE
ENGINEERING
PLANNING
INTERIOR DESIGN
COMMISSIONING



MAINE MEDICAL CENTER
NUCLEAR MEDICINE RENOVATIONS - PHASE 2
PORTLAND, MAINE

ISSUED FOR CONSTRUCTION
10-10-14

REV	DESCRIPTION	DATE
0	ISSUED FOR CONSTRUCTION	10-10-14

GRAPHIC SCALE:
0" 1"

SCALE: NO SCALE
PROJECT MANAGER: DJV
I/C/DRAWN BY: JPB
A/E OF RECORD: KDD
CAD FILE: PL601-14113
PROJECT NO: 14113
DATE: 10-10-14

SHEET TITLE:
SCHEDULES AND
DETAIL

SHEET No.
PL601
© copyright 2013 smart inc.