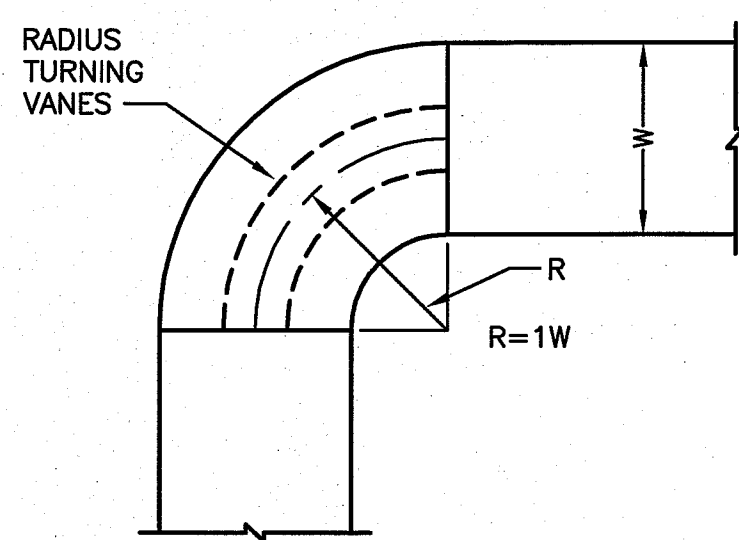


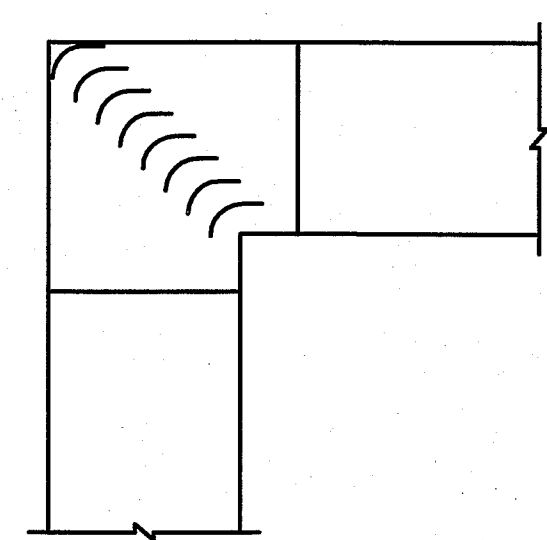
FULL RADIUS ELBOW

NOTE:
1. USE RADIUS ELBOWS WHENEVER POSSIBLE

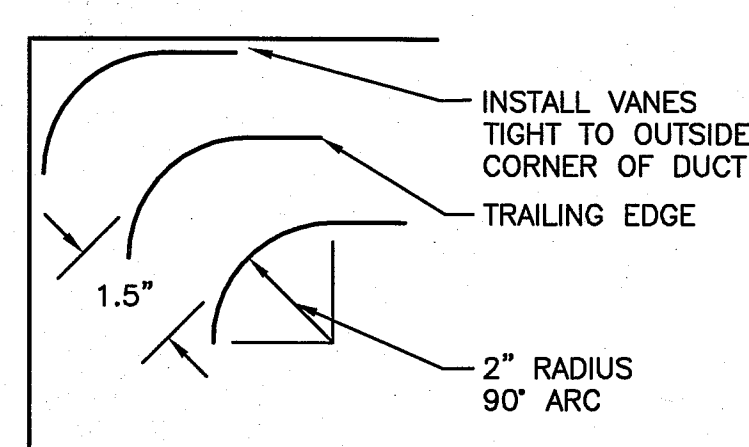


HALF RADIUS ELBOW

NOTE:
1. PROVIDE RADIUS TURNING VANES FOR ALL HALF RADIUS ELBOWS

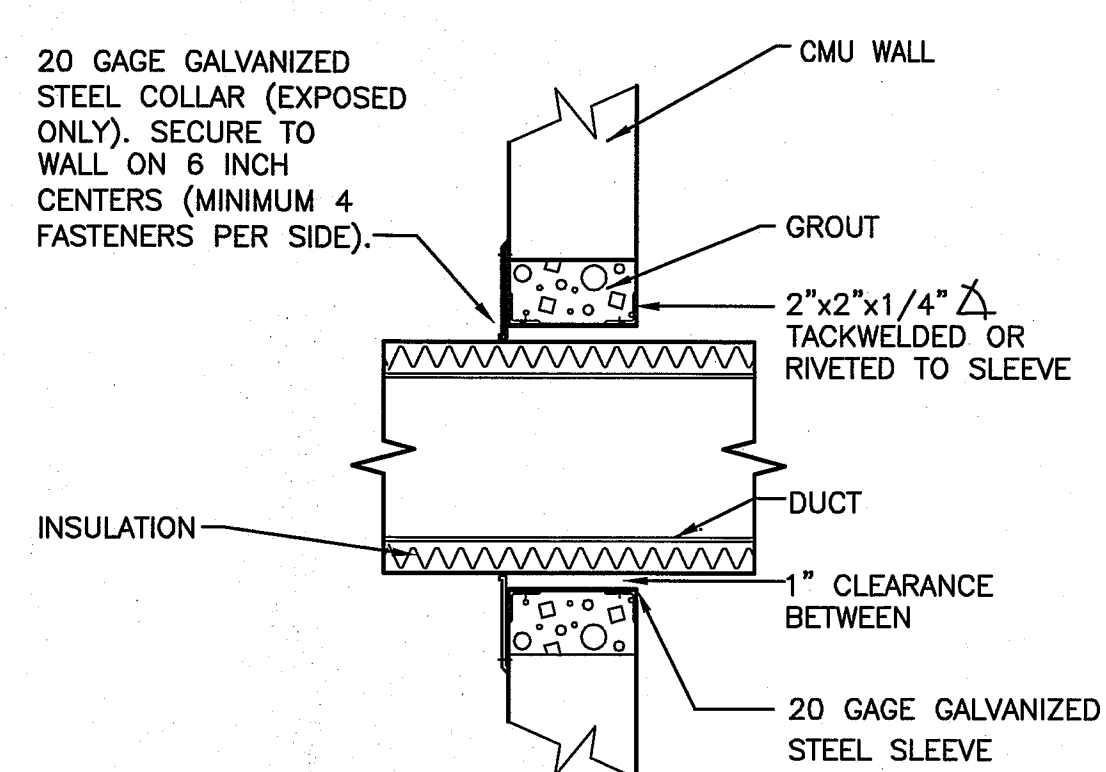


RECT. ELBOW W/TURNING VANES



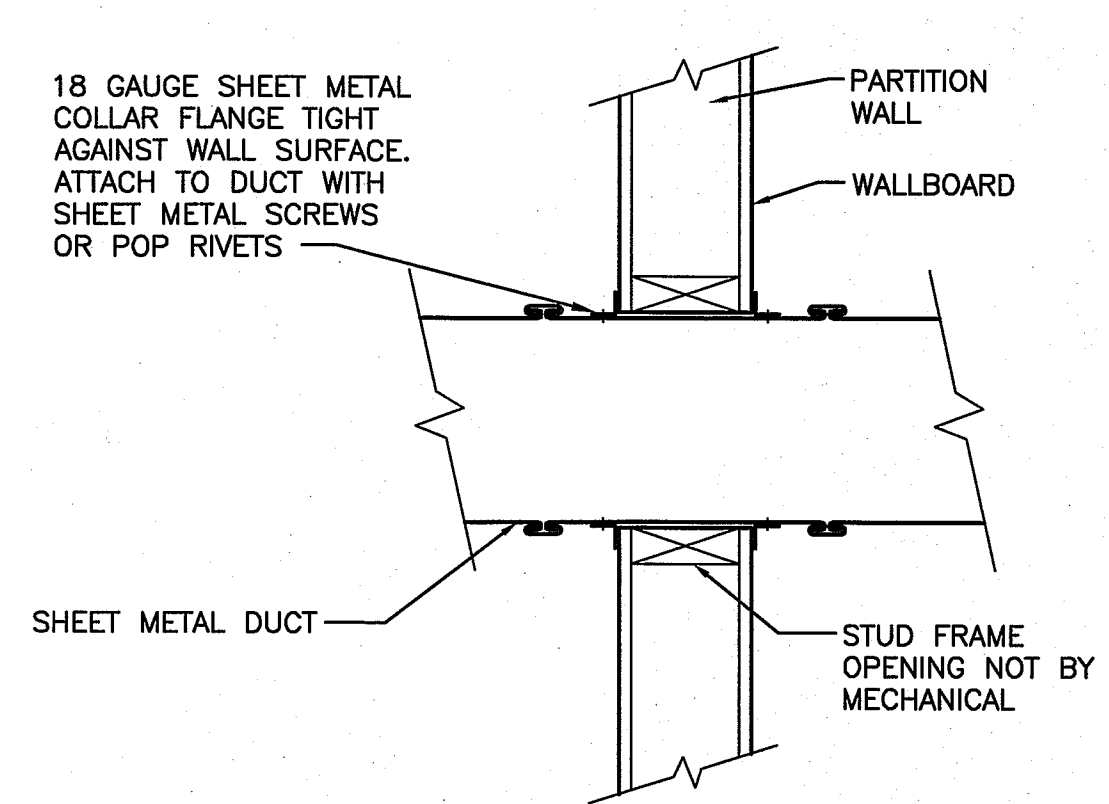
TURNING VANE DETAIL

NOTE:
1. INSTALL VANE EDGES TO PROJECT TANGENTS PARALLEL TO DUCT SIDES.



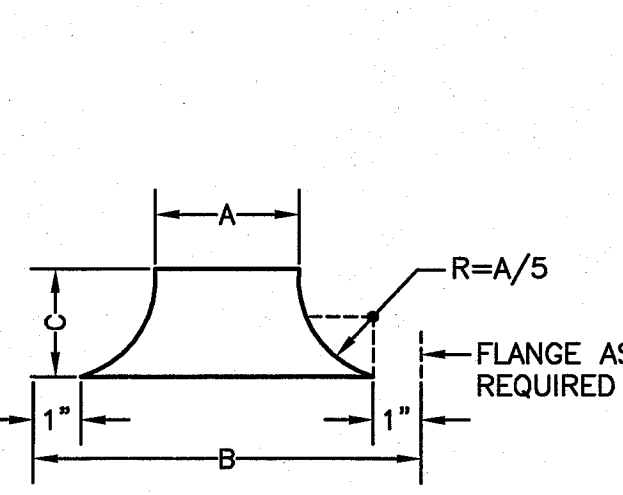
K9 DUCT PENETRATION THROUGH WALL

NOT TO SCALE

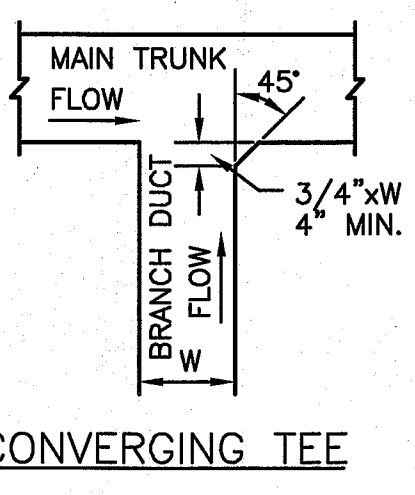


K13 STUD WALL DUCT PENETRATION

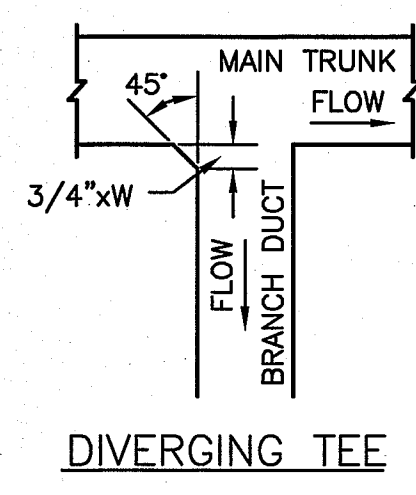
NOT TO SCALE



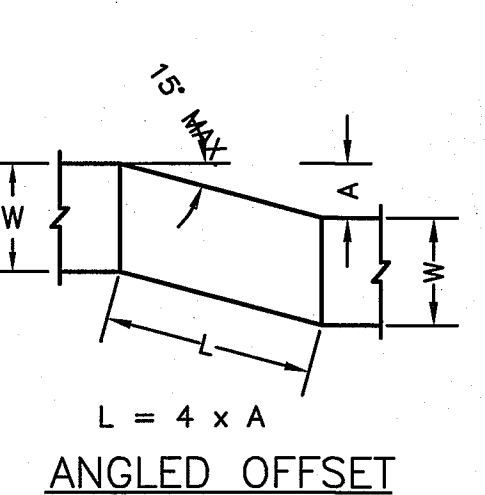
BELMOUTH CONNECTION



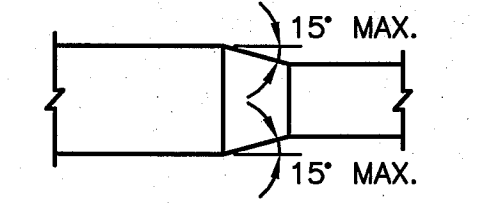
CONVERGING TEE



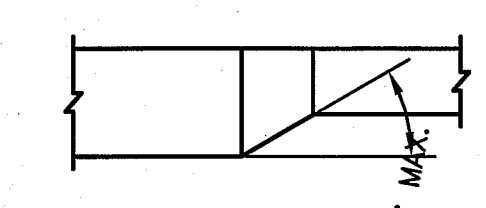
DIVERGING TEE



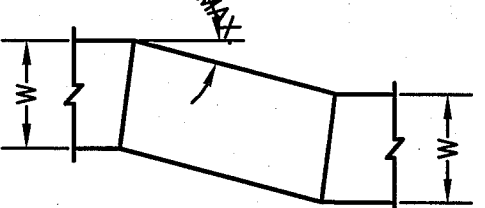
ANGLED OFFSET



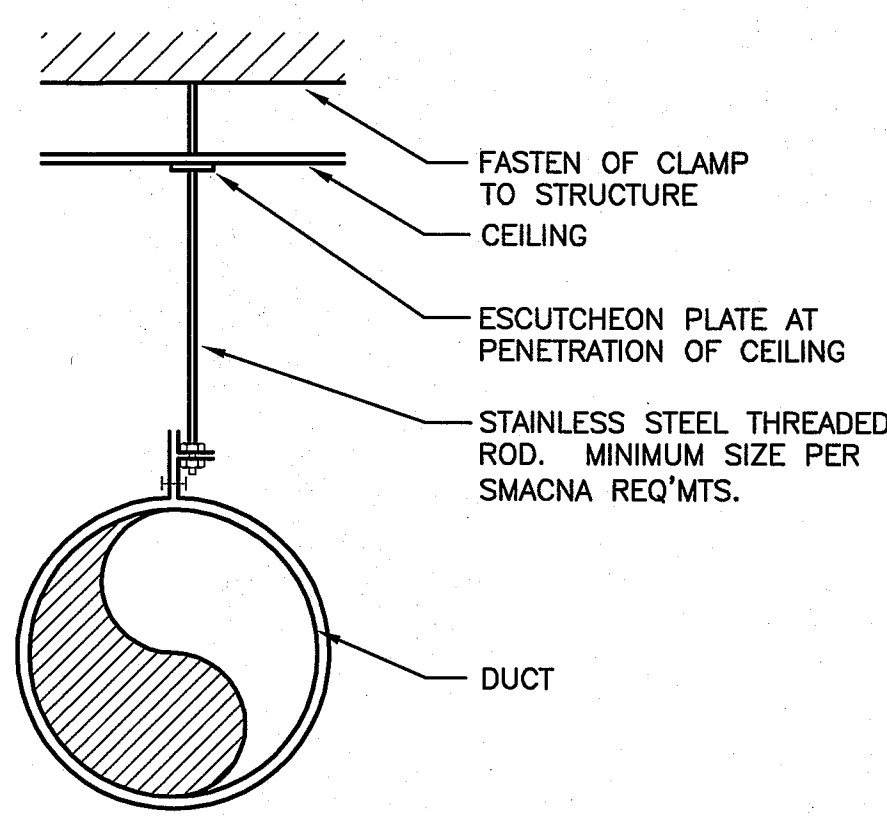
CONCENTRIC TRANSITION



ECCENTRIC TRANSITION

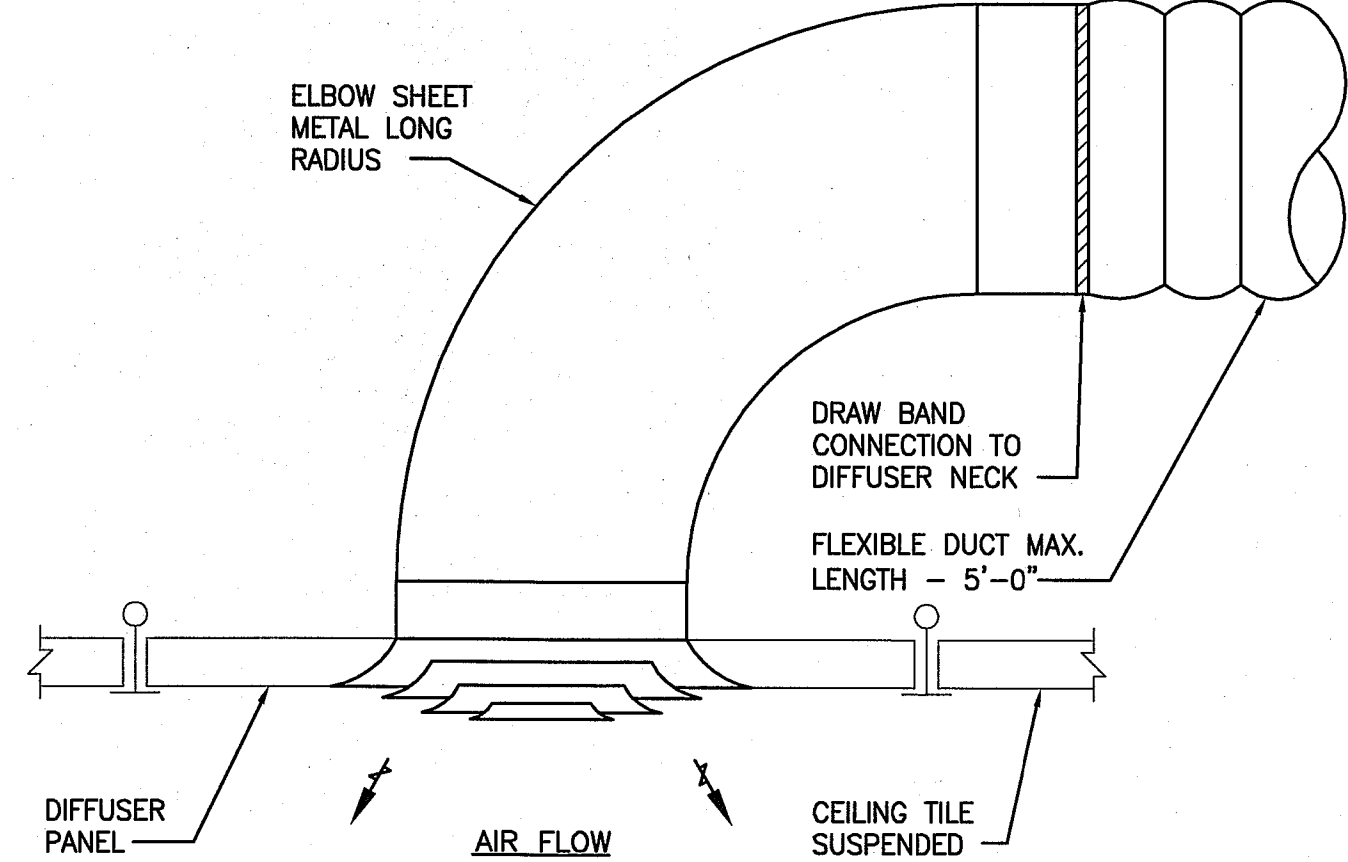


MITERED OFFSET



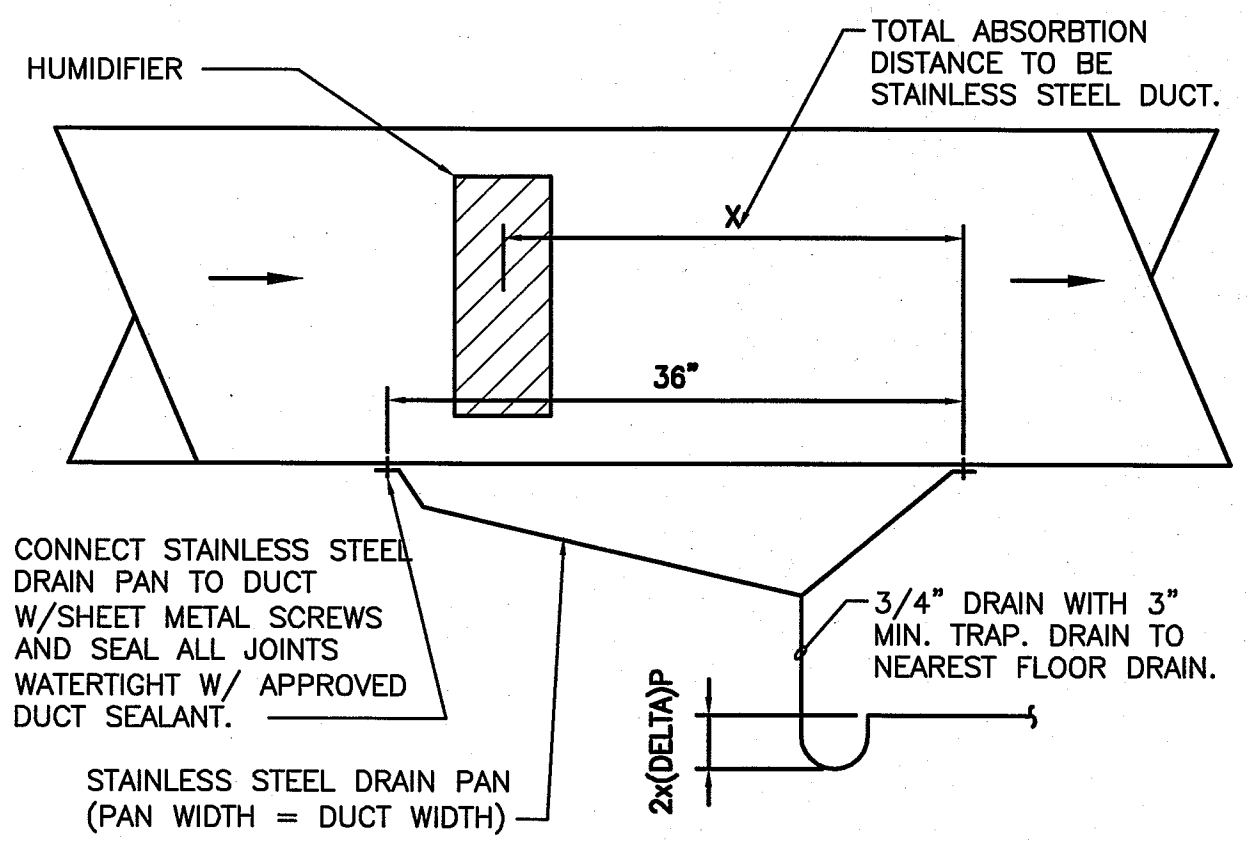
F7 DUCT HANGER

NOT TO SCALE



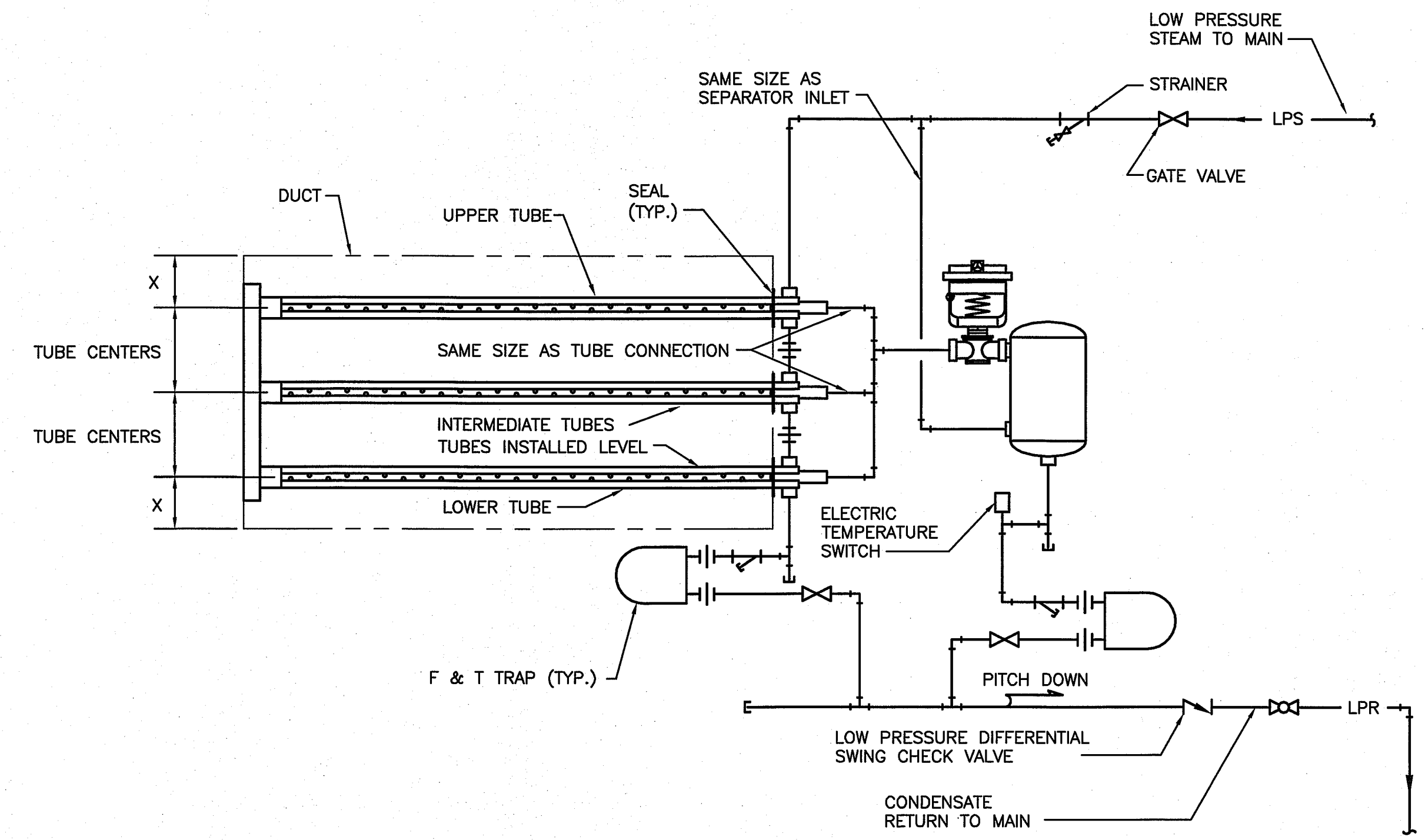
F9 DIFFUSER CONNECTION DETAIL

NOT TO SCALE



E13 HUMIDIFIER DRAIN PAN DETAIL

NOT TO SCALE

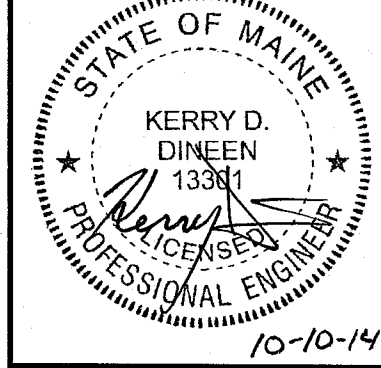
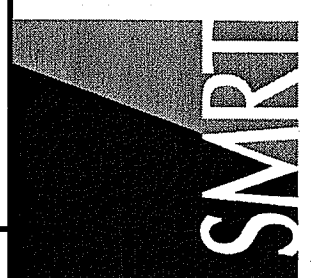


A1 TYPICAL STEAM HUMIDIFIER

NOT TO SCALE

144 Fore Street/P.O. Box 616
Portland, Maine 04104
Tel: (207) 772-3846
Fax: (207) 772-1070
www.smartinc.com

ARCHITECTURE
ENGINEERING
PLANNING
INTERIOR DESIGN
COMMISSIONING



MAINE MEDICAL CENTER
NUCLEAR MEDICINE RENOVATIONS - PHASE 2
PORTLAND, MAINE
ISSUED FOR CONSTRUCTION
10-10-14

REV	DATE	DESCRIPTION
0	10-10-14	ISSUED FOR CONSTRUCTION

GRAPHIC SCALE:
0" 1"

SCALE: AS NOTED
PROJECT MANAGER: DJV
LIC/DRAWN BY: EV
A/E OF RECORD: KDD
CAD FILE: M-501-14113
PROJECT NO: 14113
DATE: 10-10-14

SHEET TITLE:
DETAILS

SHEET No.
M-501
© copyright 2013 SMART INC.