

DIRECTORY	KVA LOAD			CKT NO.	BKR AMPS	A B C	BKR AMPS	CKT NO.	KVA LOAD			DIRECTORY	
	A	B	C						A	B	C		
LINE CONNECTION BOX	-	-	-	1	80			25	2	-	-	SPECT UPS TRANSFORMER	
SPACE	-	-	-	5				6	4	-	-		
SPACE	-	-	-	7				8	6	-	-	SPACE	
SPACE	-	-	-	9				10	8	-	-	SPACE	
SPACE	-	-	-	11				12	10	-	-	SPACE	
SUB-TOTAL				NEUTRAL BUS				SUB-TOTAL					
VOLTAGE: 480Y/277V				3 PHASE 4 WIRE				100 AMP BUS				TOTAL KVA	A
MAIN BREAKER:				100 AMP TRIP				TOTAL KVA				B	
MOUNTING: RECESSED				TOTAL KVA				C				LOCATION	MP1
SC RATING: 35,000 AIC				TOTAL KVA				-					
NOTES:													

DIRECTORY	KVA LOAD			CKT NO.	BKR AMPS	A B C	BKR AMPS	CKT NO.	KVA LOAD			DIRECTORY	
	A	B	C						A	B	C		
SIEMENS SIMBIA T	15.0	-	-	1	100			100	2	15.0	-	NUCLEAR MED SPECT/CT#1 (1)	
SPACE	-	-	-	5				6	4	15.0	-		
SPACE	-	-	-	7				8	6	-	-	SPACE	
SPACE	-	-	-	9				10	8	-	-	SPACE	
SPACE	-	-	-	11				12	10	-	-	SPACE	
SUB-TOTAL				NEUTRAL BUS				SUB-TOTAL					
VOLTAGE: 480Y/277V				3 PHASE 4 WIRE				225 AMP BUS				TOTAL KVA	A
MAIN BREAKER:				150 AMP TRIP				TOTAL KVA				B	
MOUNTING: SURFACE				TOTAL KVA				C				LOCATION	EXIST PNUC
SC RATING: 35,000 AIC				TOTAL KVA				90.0					
NOTES: (1) PROVIDE NEW CIRCUIT BREAKER IN EXISTING PANELBOARD TO FEED NEW SPECT/CT.													

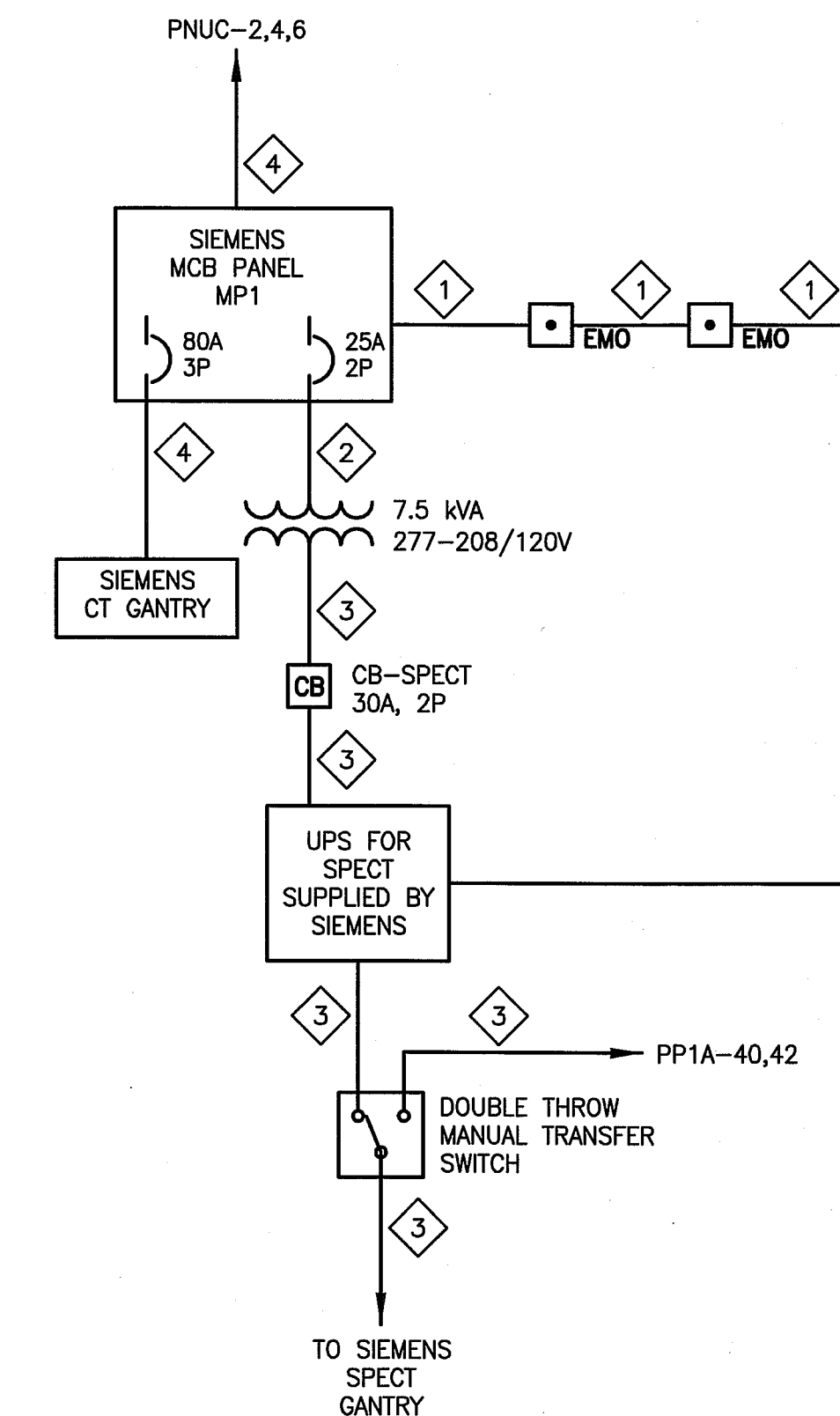
DIRECTORY	KVA LOAD			CKT NO.	BKR AMPS	A B C	BKR AMPS	CKT NO.	KVA LOAD			DIRECTORY	
	A	B	C						A	B	C		
LTG RMS 22,23	-	-	-	1	20			20	2	-	-	LTG RMS 19,20,21	
READING RM RECEPT	-	-	-	3	20			20	4	-	-	CORRIDOR LIGHTS	
LTG RMS 25,26,28	-	-	-	5	20			20	6	-	-	LTG AREA 30	
READING ROOM RECEPT	-	-	-	7	20			20	8	-	-	RECEPTS RM 21	
RECEPTION OUTLETS	-	-	-	9	20			20	10	-	-	RECEPTS RM 19	
RECEPTS SPECT/CT #2	-	-	0.9	11	20			20	12	-	-	RECEPTS RM 2 ISOLATED	
OUTLETS RM 25	-	-	-	13	20			20	14	-	-	RECEPTS RM 26	
OUTLETS RM 1	-	-	-	15	20			20	16	-	-	RECEPTS RM 26	
OUTLETS RM 1	-	-	-	17	20			20	18	-	-	RECEPTS RM 26	
RECEPT RAD CALIBRATOR	-	-	-	19	20			20	20	-	-	UNKNOWN CIRCUIT	
EUS RM RECEPT	-	-	-	21	20			20	22	-	-	UNKNOWN CIRCUIT	
EUS RM RECEPT	-	-	-	23	20			20	24	-	0.8	RECEPTS OFFICE B321	
AC UNIT ROOM 2	-	-	-	25	20			30	26	-	-	UNKNOWN CIRCUIT	
RECEPTS TOILET/CORRIDOR	-	0.9	-	27	20			20	28	-	0.8	RECEPTS STAFF BREAK	
RECEPTS CONTROL B332	-	-	0.8	29	20			20	30	-	0.8	RECEPTS STAFF BREAK	
RECEPTS HOT LAB	0.9	-	-	31	20			20	32	0.9	-	RECEPTS READING B325	
RECEPTS INJECTION/TOILET	-	0.8	-	33	20			20	34	-	1.1	RECEPTS READING B325a	
REFRIGERATOR STAFF BREAK	-	-	1.0	35	20			30	36	-	-	SPECT/CT UPS BYPASS RECEPT	
MICROWAVE RECEPT STAFF BREAK	1.0	-	-	37	20			30	38	-	-		
(1) RECEPTS THYROID SPECT/CT	-	0.8	-	39	20			30	40	-	-	SPECT/CT UPS BYPASS RECEPT(2)	
(1) RECEPTS SPECT/CT, CONTROL	-	-	0.8	41	20			30	42	-	-		
SUB-TOTAL				NEUTRAL BUS				SUB-TOTAL					
VOLTAGE: 208Y/120V				3 PHASE 4 WIRE				100 AMP BUS				TOTAL KVA	A
MAIN LUGS ONLY				100 AMP LUGS				TOTAL KVA				B	
MOUNTING: RECESSED				TOTAL KVA				C				LOCATION	EXISTING PP1A
SC RATING: 10,000 AIC				TOTAL KVA				-					
NOTES: (1) UTILIZED EXISTING SPARE CIRCUIT BREAKER TO FEED NEW RECEPTACLES. (2) PROVIDE NEW CIRCUIT BREAKER IN EXISTING PANELBOARD.													

NOTES:

- SEE SHEET E-001 FOR LEGEND AND GENERAL NOTES.
- SEE SIEMENS INSTALLATION DRAWINGS FOR ADDITIONAL DETAILS, DIMENSIONED LOCATION OF ALL BOXES, WALL DUCTS, FLOOR DUCTS, INSTALLATION NOTES, CABLE LENGTH RESTRICTIONS AND OTHER INSTALLATION REQUIREMENTS. ALL WORK SHALL BE COORDINATED WITH SIEMENS PROJECT MANAGER AND EQUIPMENT INSTALLER.
- ALL EMPTY CONDUITS SHALL BE PROVIDED WITH PULL STRINGS FOR INSTALLATION OF SIEMENS SUPPLIED CABLES. CABLES INSTALLED BY CONTRACTOR TO SIEMENS SUPPLIED EQUIPMENT SHALL BE COORDINATED WITH SIEMENS EQUIPMENT INSTALLER FOR TERMINATIONS.

CABLE SCHEDULE:

- 1 2#12 AWG & #12 GND, 3/4"C
- 2 2#10 AWG & #10 GND, 3/4"C
- 3 3#10 AWG & #10 GND, 3/4"C
- 4 4#2 AWG & #2 GND, 1 1/4"C



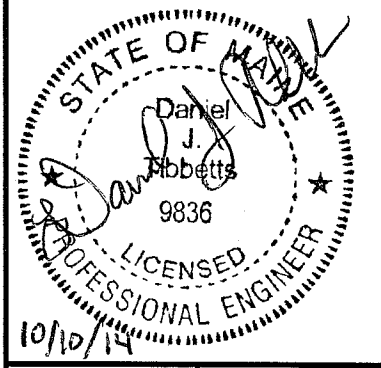
A12

SIEMENS MAIN BREAKER CABINET WIRING DETAIL

NONE

144 Fore Street/P.O. Box 618
Portland, Maine 04104
tel. (207) 772-3846
fax. (207) 772-1070
www.smartinc.com

ARCHITECTURE
ENGINEERING
PLANNING
INTERIOR DESIGN
COMMISSIONING



MAINE MEDICAL CENTER
NUCLEAR MEDICINE RENOVATIONS - PHASE 2
PORTLAND, MAINE

ISSUED FOR CONSTRUCTION
10-10-14

REV	DESCRIPTION	DATE
0	ISSUED FOR CONSTRUCTION	10-10-14

GRAPHIC SCALE:
0" 1"
SCALE: NONE
PROJECT MANAGER: DJV
JC/DRAWN BY: CDS
A/E OF RECORD: DJT
CAD FILE: E-601-14113
PROJECT NO: 14113
DATE: 10-10-14

SHEET TITLE:
PANEL SCHEDULES
AND DETAIL

SHEET No.
E-601