

THIS SET OF FINAL DRAWINGS IS REFLECTIVE OF THE LATEST SALES CONFIGURATION. ANY CHANGES TO THIS SALES CONFIGURATION MAY REQUIRE A REVISION TO THIS PROJECT PLAN. IF REQUESTED, SIEMENS WILL PRODUCE A REVISED SET OF FINAL DRAWINGS TO REFLECT THE CHANGES, HOWEVER SIEMENS IS NOT RESPONSIBLE FOR ANY CONSTRUCTION COSTS ASSOCIATED WITH THE CHANGES THAT OCCUR FROM THIS PLAN MODIFICATION.

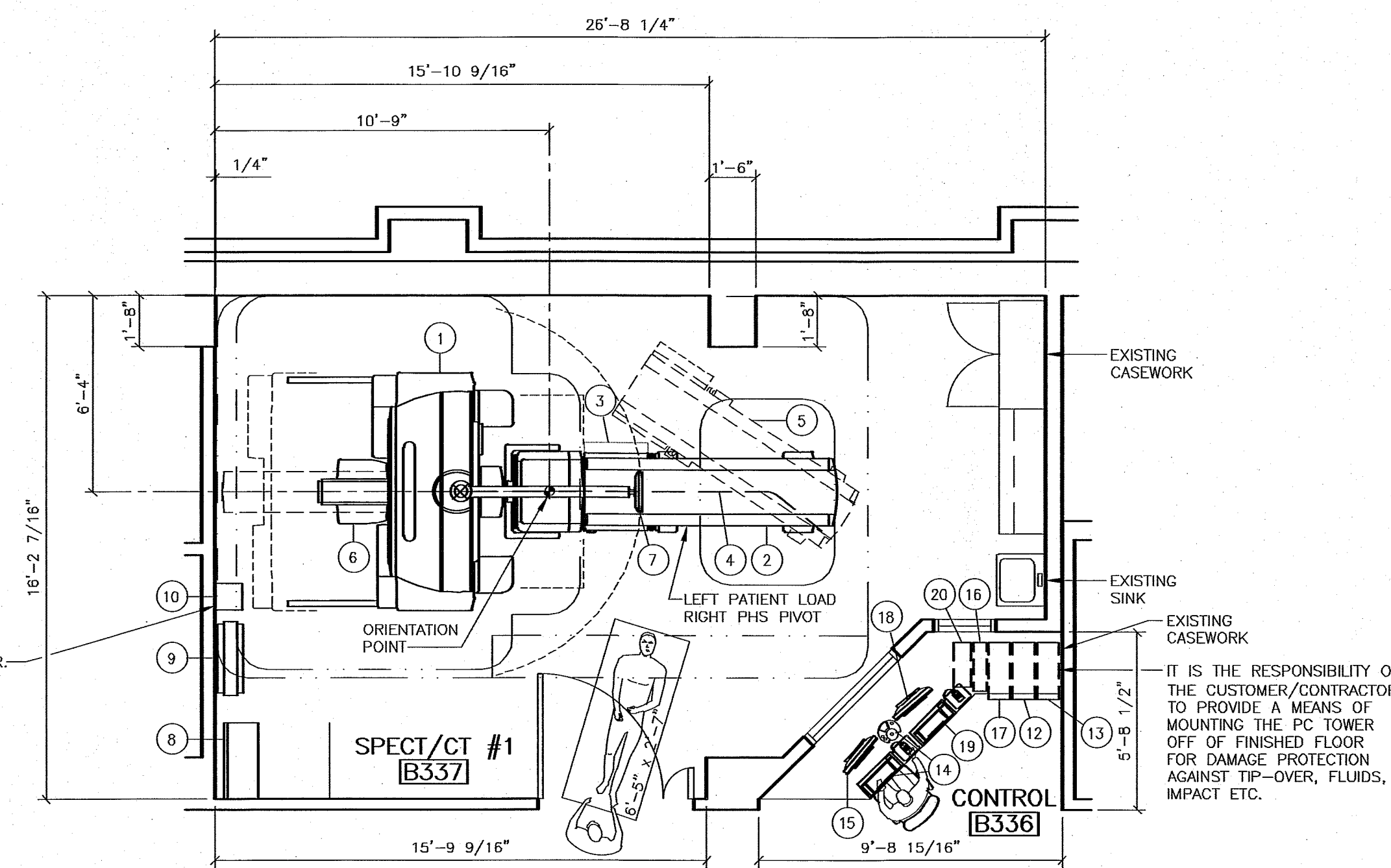
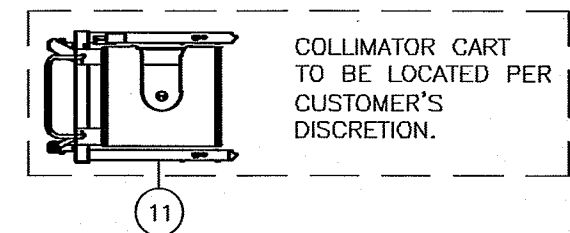
VISUAL RADIATION INDICATOR IS INCLUDED WITH THE SYMBIA AND LOCATED ON THE PATIENT BOOM ARM ACCORDING TO IEC 60601-2-44 AND 21 CFR.

SIEMENS HIGHLY RECOMMENDS THE CUSTOMER'S ARCHITECT DESIGNATES SPACE FOR A HOT LAB, PATIENT WAITING AREA, AND UPTAKE ROOM.

HEIGHT OF WINDOW TO BE COORDINATED WITH COUNTERTOP/DESK HEIGHT.

RESTRICTIONS: SERVICE CLEARANCE HAS NOT BEEN MAINTAINED IN SOME AREAS AS INDICATED ON THE PLAN.

WARNINGS: THERE IS NO VIEW DOWN THE BORE OF THE GANTRY FROM THE CONTROL ROOM AREA.



ARCHITECTURAL EQUIPMENT PLAN

ROOM MEASUREMENTS

ALL ROOM MEASUREMENTS AND ROOM DETAIL SPECIFICATIONS MUST BE VERIFIED ON SITE PRIOR TO BEGINNING ANY CONSTRUCTION WORK.

CASEWORK & ACCESSORY NOTES

- ALL CASEWORK IS EITHER EXISTING OR IS TO BE DESIGNED, DETAILED, FURNISHED AND INSTALLED BY THE CUSTOMER AND/OR CONTRACTOR. FOLLOW DESIGN RECOMMENDATIONS INCLUDED HEREWITH, AS THEY ARE ESSENTIAL FOR THE SUCCESSFUL INSTALLATION & OPERATION OF THE SIEMENS EQUIPMENT.
- ALL FURNITURE (CHAIRS, ETC.) FOR THE CONTROL ROOM ARE TO BE PROVIDED BY THE CUSTOMER.

NOISE LEVEL

SYSTEM COMPONENT	DECIBEL LEVEL (AT 3'-3" DISTANCE)
SYMBIA INTEVO EXCEL, INTEVO 2, INTEVO 6 AND INTEVO 16 GANTRY	68
FRONT PHS (PATIENT TABLE)	60
UPS FOR IMS	<45

1) NOISE DEPENDS ON THE ROOM TEMPERATURE AND THE PROCESSOR LOAD.

TRANSPORT AND DELIVERY NOTES

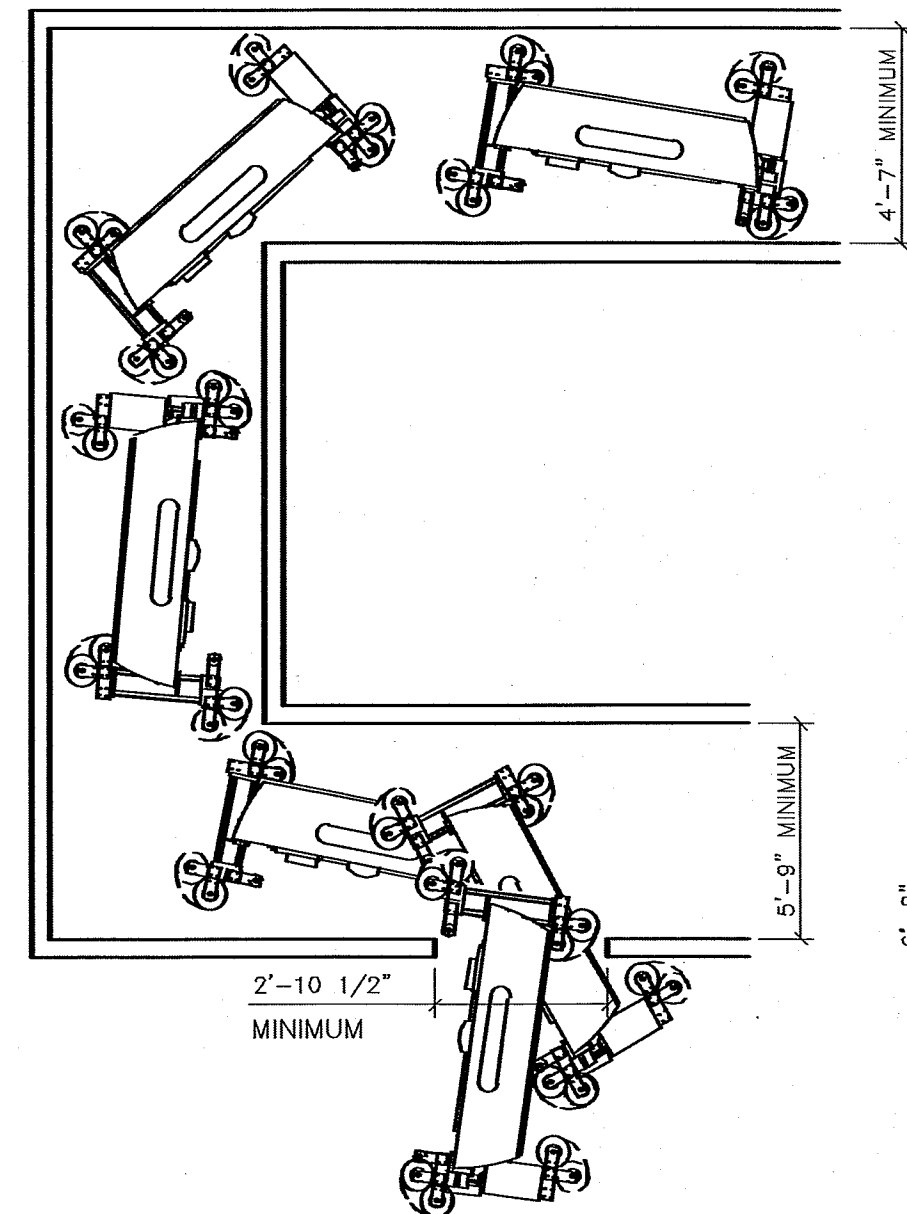
NM SUB-SYSTEM ON SKID	4,118 LBS.
NM GANTRY WITH TRANSPORT AND BOOM	3,886 LBS.
CT SUB-SYSTEM	2,480 LBS.
FRONT PHS	2,745 LBS.
REAR PHS	506 LBS.

NORMAL TRANSPORT REQUIREMENTS: DURING THE MOVEMENT OF THE GANTRY THROUGH CORRIDORS THE TRANSPORT CASTERS ARE SWIVELED OUT FOR STABILITY.

FRONT PHS REQUIRES THE SAME HALLWAY TRANSPORT ROUTE AS THE GANTRY AS SHOWN BELOW.

PLEASE CONSULT PLANNING GUIDE FOR ELEVATOR CLEARANCES FOR GANTRY AND FRONT PHS.

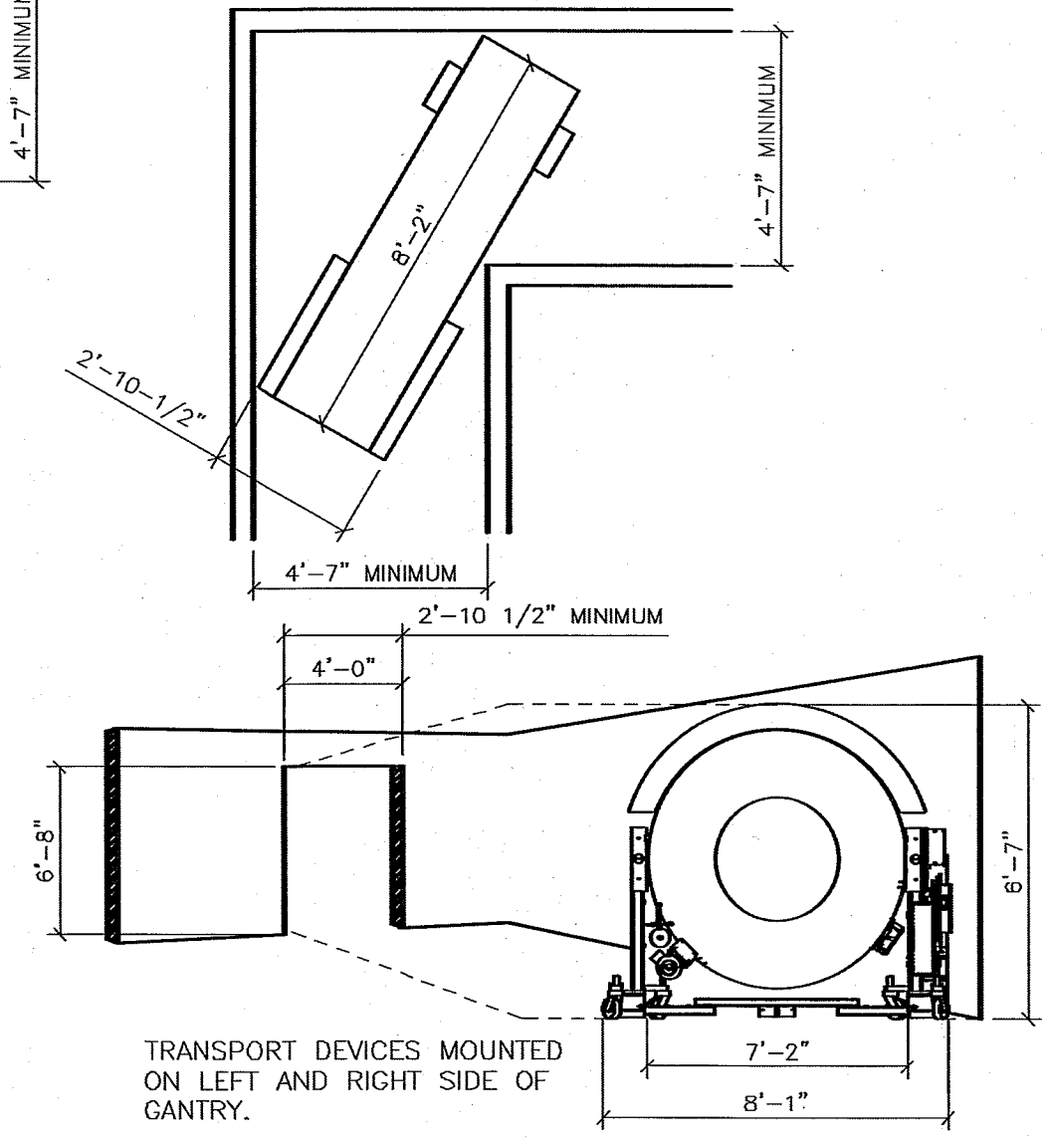
HALLWAY TRANSPORT FOR GANTRY:



HALLWAY TO DOOR TRANSPORT: TRANSPORTS MAY HAVE TO BE SWIVELED IN NARROW AREAS. ONCE SYSTEM HAS PASSED THROUGH NARROW AREA, THE TRANSPORT ROLLERS MUST BE SWIVELED OUT AGAIN FOR STABILITY.

TRANSPORTING GANTRY FLOOR LOAD: ACCESS FLOORS MUST BE LAID OUT TO SUPPORT A LOAD MINIMUM 1296 LBS. DURING TRANSPORT OF THE GANTRY, HIGHER LOADS CAN OCCUR AT INDIVIDUALS POINTS IF THE FLOOR IS NOT LEVEL. COVER THE TRANSPORT PATH WITH SHEET METAL TO DISTRIBUTE THE FLOOR LOAD.

HALLWAY TRANSPORT FOR FRONT PHS:



TRANSPORT DEVICES MOUNTED ON LEFT AND RIGHT SIDE OF GANTRY.

SCALE: 1/4" = 1'-0"

EQUIPMENT LEGEND

NO	DESCRIPTION	SMS SYM	WEIGHT (LBS)	BTU/HR TO AIR	DIMENSIONS (INCHES)			REMARKS
					W	D	H	
1	SYMBIA INTEVO 2 GANTRY W/COLLIMATORS	⊕	7,413	21,161	93	84 1/2	90 1/2	6,485 BTU ON STANDBY. WORST CASE WEIGHT 7,963 LBS. WITH (2) HIGH ENERGY COLLIMATORS AT 275 LBS. EACH.
2	FRONT PHS	⊕	2,512	-	31 1/8	97 1/2	23 3/16	MAXIMUM HEIGHT 41"
3	SYMBIA INTEVO-ACC WITH ACC - PRODUCTIVITY PACKAGE (OPTION)	⊕	684	-	31 1/8	97 1/2	23 3/16	WEIGHT CALCULATED WITH 1 SET LOW AND MEDIUM ENERGY COLLIMATORS.
4	UNDER THE FLOOR PHS CABLE STANDARD	⊕	-	-	-	-	-	UNDER FLOOR
5	PHS STANDARD PIVOT	⊕	-	-	-	-	-	STANDARD PIVOT - 33 DEGREES
6	REAR PHS WITH SNAC	⊕	415.3	-	-	-	-	ON FLOOR
7	PATIENT BOOM SWING ARM	⊕	-	-	-	-	-	ON FLOOR
8	LINE CONNECTION BOX	⊕	227	1,365	29 1/2	11 3/4	32	ON FLOOR
9	UPS FOR SPECT (OPTION)	⊕	120	1,024	10	28 3/8	17 7/8	ON FLOOR
10	TRANSFORMER REQUIRED WITH UPS FOR SPECT (SPS) (OPTION)	⊕	-	-	-	-	-	CUSTOMER SUPPLIED PRIOR TO INSTALLATION. SEE POWER SCHEDULE.
11	COLLIMATOR CART (EMPTY) (OPTION)	⊕	400	-	47 3/8	32 5/8	47 1/2	WORST CASE 1330 LBS. WITH 1 SET HE AND 1 SET ME
12	IMAGE CONSTRUCTION SYSTEM FOR SYNGO MI (ACQUISITION) WORKPLACE	⊕	66	2,389	8	22	18	OFF FLOOR.
13	IMAGE RECONSTRUCTION SYSTEM FOR SYNGO MI (ACQUISITION) WORKPLACE	⊕	66	*	8	22	18	OFF FLOOR. *BTU'S INCL. WITH ICS
14	CONTROL AND KEYBOARD	⊕	-	-	-	-	-	ON CUSTOMER'S COUNTER
15	18" MONITOR	⊕	31	-	18 3/8	2 5/8	14 13/16	ON CUSTOMER'S COUNTER
16	SYNGO MI (ACQUISITION) WORKPLACE UPS FOR IMS STANDARD COMPONENT	⊕	70	-	5	19	17 1/4	OFF FLOOR.
17	DEDICATED RECONSTRUCTION SYSTEM WORKPLACE - STANDARD INTEVO 2, INTEVO 6, INTEVO 16	⊕	55	*	8	20 3/4	18	OFF FLOOR. *BTU'S INCL. WITH ICS
18	DEDICATED RECONSTRUCTION SYSTEM WORKPLACE MONITOR - STANDARD INTEVO 2, INTEVO 6, INTEVO 16	⊕	31	-	18 3/8	2 5/8	14 13/16	ON CUSTOMER'S COUNTER
19	DEDICATED RECONSTRUCTION SYSTEM WORKPLACE KEYBOARD - STANDARD INTEVO 2, INTEVO 6, INTEVO 16	⊕	-	-	-	-	-	ON CUSTOMER'S COUNTER
20	UPS FOR E.SOFT/C.GAM (OPTION)	⊕	46	-	6 3/4	17 1/2	8 1/2	ON FLOOR

SITE READINESS GUIDELINES

THE FOLLOWING GENERAL CONDITIONS ARE NECESSARY TO HAVE THE STATUS OF "READY SITE":

- PROPER POWER AVAILABLE AT SIEMENS EQUIPMENT POWER CABINET LOCATION.
- AIR CONDITIONING/HUMIDIFICATION SYSTEMS COMPLETE, TESTED, AND FUNCTIONING PROPERLY ACCORDING TO SIEMENS SPECIFICATIONS.
- PROPER LIGHTING INSTALLED AND FUNCTIONING.
- PLUMBING COMPLETE EXCEPT FOR ANY FINAL CONNECTIONS TO SIEMENS EQUIPMENT. LINES MUST BE FLUSHED AND LEAKED TESTED.
- ALL CABLE TRAYS/DUCTS/CONDUITS CORRECTLY SIZED AND INSTALLED IN THE CORRECT LOCATIONS ACCORDING TO THE SIEMENS DRAWINGS.
- ALL REINFORCEMENT PLATES INSTALLED AS REQUIRED.
- ROOM FOR EQUIPMENT INSTALLATION AND IMMEDIATE VICINITY IS DUST-FREE AND IS TO REMAIN SO FOR THE DURATION OF THE INSTALLATION.
- A SECURE AREA, APPROXIMATELY 10'x10', IS AVAILABLE AT EQUIPMENT DELIVERY FOR PARTS AND INSTALLATION TOOLS.
- CUSTOMER SUPPLIED CAMERAS AND PROCESSORS INSTALLED.
- MODEM OUTLET OR ROUTER, VOICE AND DATA TELEPHONE LINES INSTALLED.
- WALLS TO BE PRIMED AND PAINTED, FLOORS TO BE TILED CEILING TO BE INSTALLED.

IF THESE CONDITIONS ARE NOT MET, THE SIEMENS PROJECT MANAGER AND THE DESIGNATED SIEMENS INSTALLATION SUPERVISOR SHALL RESCHEDULE THE INSTALLATION START DATE. NOTE: ADDITIONAL COST MAY BE INCURRED BY THE CUSTOMER/CONTRACTOR WHEN THE SIEMENS SITE READINESS GUIDELINES ARE NOT MET, AND DELIVERY DATES NEED TO BE RESCHEDULED.

STATE AGENCY REVIEW

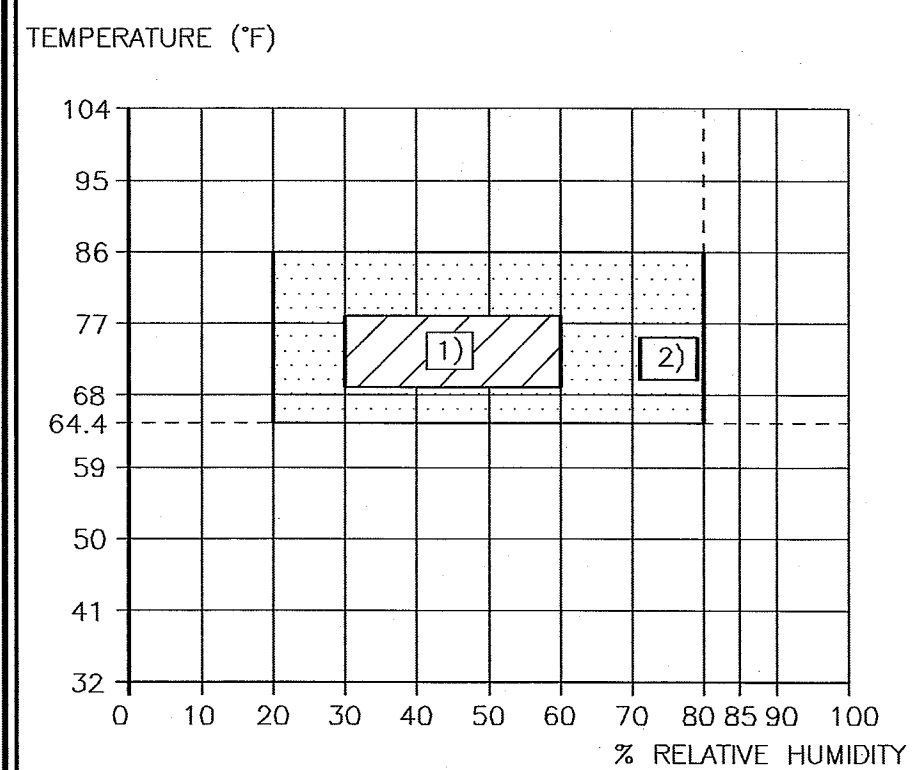
PRIOR TO SIEMENS EQUIPMENT INSTALLATION, APPROVAL OF CONSTRUCTION OR STRUCTURAL MODIFICATIONS UTILIZING X-RAY FOR DIAGNOSTIC OR THERAPEUTIC PURPOSES, MUST BE OBTAINED BY THE CUSTOMER FROM THE APPROPRIATE STATE AGENCY, IF APPLICABLE.

FINISHED ROOM HEIGHT

SYMBIA INTEVO EXCEL, INTEVO 2, INTEVO 6, INTEVO 16	MINIMUM 8'-0"
SYMBIA INTEVO EXCEL, INTEVO 2, INTEVO 6, INTEVO 16 WITH CEILING MOUNTED COMPONENT OTHER THAN RADIATION ON LAMP	MINIMUM 8'-2" MAXIMUM 12'-0"

CONSIDER THE WARNING LIGHT WILL BE PLACED ON TOP OF THE PATIENT BOOM. ANY OTHER CEILING MOUNTED COMPONENT MUST BE PLACED AS TO NOT COLLIDE WITH WARNING LIGHT.

ENVIRONMENTAL REQUIREMENTS



- RECOMMENDED OPERATING CONDITIONS.
- REQUIRED OPERATING CONDITIONS.

TEMPERATURE, HUMIDITY, DUST, AIR CONTAMINATION: REFER TO THE CLIMATOGRAM ABOVE FOR THE PERMITTED CLIMATE RANGE.

THE MAXIMUM TEMPERATURE GRADIENT IS 8°F PER HOUR.

THE OPTIMAL ENVIRONMENT FOR THE SCANNER ROOM AND THE SYSTEM IS 65°F-86°F (± 8°F/HR.) WITH A RELATIVE HUMIDITY OF 20%-80% NON-CONDENSING. THE OPTIMAL ENVIRONMENT FOR THE CONTROL ROOM 75°F (± 8°F/HR.) WITH A RELATIVE HUMIDITY OF 20%-80% NON-CONDENSING. TEMPERATURE RANGES FOR THE SCANNER ROOM AND CONTROL CANNOT BE GUARANTEED IN ALL SEASONS OF THE YEAR, AN APPROPRIATE AIR-CONDITIONING SYSTEM MUST BE INSTALLED ON-SITE BY THE CUSTOMER/CONTRACTOR.

FOR EXTERNAL AIR SUPPLY (FRESH AIR) IT IS RECOMMEND THAT COURSE FILTERS OF THE CLASS EU3 TO EU4 BE USED ON-SITE TO FILTER OUT DUST PARTICLES >10µm.

THE VENTILATION SHOULD ENSURE THAT AGGRESSIVE POLLUTANTS ARE PREVENTED FROM ENTERING THE ROOM. THE ROOM AIR SHOULD BE PROTECTED AGAINST CONTAMINATION BY HYDROGEN SULFIDE, EVEN IN SMALL AMOUNTS. THE MOST WELL KNOWN SOURCES OF HYDROGEN SULFIDE INCLUDE: EXHAUST FUMES AND WASTE WATER FROM DEVELOPERS, EXPOSED SEWER DRAINS, EXHAUST FUMES FROM DIESEL POWER UNITS. IF A DANGER OF SUCH CONTAMINATION EXISTS, CORRECTIVE ACTIONS HAVE TO BE TAKEN E.G.: EXTRACTOR FANS, SIPHON, AND MODIFICATION OF VENTILATION INTAKE.

ARCHITECTURAL NOTES

- ALL PRELIMINARY EQUIPMENT LAYOUTS SUBMITTED BY SIEMENS MEDICAL SOLUTIONS, INC. (SMS HEREAFTER) ARE BASED ON THE RECOMMENDED SPACE NECESSARY FOR THE OPERATION AND SERVICEABILITY OF THE EQUIPMENT BEING PROPOSED. SMS WILL NOT SUBMIT AN EQUIPMENT LAYOUT THAT IS NOT IN THE BEST INTEREST OF BOTH THE CUSTOMER AND SMS. ALL EQUIPMENT LAYOUTS ARE BASED EITHER ON AN ACTUAL SITE LOCATION SURVEY OR ARCHITECTURAL DRAWINGS SUPPLIED TO SMS. SMS WILL NOT BE RESPONSIBLE FOR ANY ALTERATIONS THAT ENCRUSH WITHIN DESIGNATED SAFETY AND SERVICE CLEARANCE ZONES AS INDICATED ON DRAWINGS (IE. PIPE CHASES, VENTILATION DUCTS, CASEWORK, AND SOFFITS, ETC.) MADE BY THE CUSTOMER OR REQUIRED BY A CUSTOMER'S ARCHITECTURAL FIRM ONCE PRELIMINARY DRAWINGS HAVE BEEN SUBMITTED AND APPROVED. DO NOT ALTER ANY SPECIFICATIONS AND/OR DIMENSIONS WITHOUT CONTACTING AND RECEIVING WRITTEN CONFIRMATION FROM SMS PROJECT MANAGER.
- SMS IS NOT AN ARCHITECTURAL OR ENGINEERING FIRM. DRAWINGS SUPPLIED BY SMS ARE NOT CONSTRUCTION DRAWINGS. THEREFORE, THESE DRAWINGS ARE TO BE USED ONLY FOR INFORMATION TO COMPLEMENT ACTUAL CONSTRUCTION DRAWINGS AVAILABLE FROM A CUSTOMER APPOINTED ARCHITECTURAL REPRESENTATIVE OR A CUSTOMER'S ENGINEERING DESIGN GROUP. THE CUSTOMER'S ARCHITECT AND GENERAL CONTRACTOR SHALL BE ULTIMATELY RESPONSIBLE FOR COMPLIANCE WITH ALL APPLICABLE CODES AND PROFESSIONAL DESIGN REQUIREMENTS.
- THE CUSTOMER IS RESPONSIBLE FOR ALL ROOM AND AREA PREPARATION COSTS, PROFESSIONAL FEES, PERMITS, REPORTS, AND INSPECTION FEES.
- EQUIPMENT WARRANTIES, EXPRESSED OR IMPLIED ON THE PART OF SMS SHALL BE CONTINGENT UPON STRICT COMPLIANCE WITH THE ARCHITECTURAL, STRUCTURAL, ELECTRICAL, MECHANICAL AND RECOMMENDATIONS AND REQUIREMENTS CONTAINED IN THESE DRAWINGS, UNLESS SPECIFIED OTHERWISE.
- ALL DIMENSIONS SHOWN ARE TAKEN FROM FINISHED SURFACES UNLESS SPECIFIED OTHERWISE.
- THIS DRAWING DOES NOT PROVIDE RADIATION SHIELDING REQUIREMENTS FOR X-RAY AND ADJACENT EQUIPMENT. THE CUSTOMER IS RESPONSIBLE FOR CONSULTING WITH A REGISTERED RADIATION PHYSICIST. ACTUAL PROTECTION REQUIREMENTS SHALL BE SPECIFIED BY A REGISTERED RADIATION PHYSICIST AT CUSTOMER'S ENGAGEMENT AND EXPENSE. RESPONSIBILITY FOR ALL INFORMATION TO THE ROOM LOCATION, USE, AND NUMBER OF ANTICIPATED EXAMINATIONS TO BE PERFORMED PER TIME PERIOD SHALL BE PROVIDED TO THE PHYSICIST BY THE CUSTOMER. THE CUSTOMER SHALL FURTHER TAKE ALL RESPONSIBILITY IN THE COMMUNICATION AND COORDINATION OF ACTIVITIES OF THE RADIATION PHYSICIST AND THE ARCHITECTURAL REPRESENTATIVE.
- SMS SHALL BE RESPONSIBLE FOR SMS EQUIPMENT INSTALLATION AND CALIBRATION, CONNECTION AND INSTALLATION OF SMS PROVIDED CABLES, AND CONNECTION OF CONTRACTOR PROVIDED WIRES TO SMS EQUIPMENT. IN THE EVENT THAT SPECIFIC TRADE RULES OR LICENSE REQUIREMENTS PROHIBIT THIS, THE CUSTOMER SHALL INITIATE THE SERVICES OF APPROVED OTHER CONTRACTORS AND PAY FOR SELECTED, APPROVED PARTIES TO PERFORM THIS WORK WITH JOB SUPERVISION TO BE PROVIDED BY SMS. CALIBRATION WHEN ACCOMPLISHED OUTSIDE OF NORMAL INSTALLATION SEQUENCES DUE TO CONTRACTOR OR TRADE RULE ACTIONS OR REQUIREMENTS SHALL BE SUPPORTED BY THE CUSTOMER, AND ACCEPTED BY THE CUSTOMER AS AN ADDITIONAL INSTALLATION EXPENSE.
- THE CUSTOMER SHALL VERIFY WITH SMS PROJECT MANAGER FINAL INSTALLATION DRAWINGS THE LOCATIONS AND TRAVEL OF ALL ANCILLARY EQUIPMENT TO BE CEILING OR WALL MOUNTED (IE. O.R. LIGHTS, MEDICAL GAS COLUMNS, PHYSIOLOGICAL MONITORING INJECTORS, CRT PLATFORMS, SPRINKLER HEADS, SMOKE DETECTORS, ELECTRICAL OUTLETS, HVAC GRILLES, SPEAKERS, AND GENERAL ROOM LIGHTING, ETC.).
- THE GENERAL CONTRACTOR/CUSTOMER SHALL BE RESPONSIBLE FOR ALL FINAL PAINT, TOUCH-UP AND ANY COSMETIC OR TRIM WORK WHICH NEEDS TO BE OR IS REQUIRED TO BE COMPLETED AFTER THE INSTALLATION OF THE SMS EQUIPMENT AND ANY ASSOCIATED SUPPORT APPARATUS.

ENVIRONMENTAL/POWER AUDIT

AS AN INDICATION OF OUR COMMITMENT TO QUALITY, SIEMENS MAY, AT NO COST TO YOUR FACILITY, CHECK THE OPERATING ENVIRONMENT AFTER SYSTEM TURNOVER TO DETERMINE IF THE REQUIREMENTS FOR TEMPERATURE, HUMIDITY, POWER, AND GROUNDING ARE MET AS PER SIEMENS' PUBLISHED SPECIFICATIONS. SIEMENS WILL GENERATE A WRITTEN REPORT DETAILING THE ENVIRONMENTAL AND ELECTRICAL CONDITION OF THE SITE AFTER TURNOVER AND WILL SHARE THE REPORT WITH YOU. IN THE EVENT WE IDENTIFY ANY ENVIRONMENTAL/POWER DEFICIENCIES AT THE SITE, YOUR FACILITY WILL BE REQUESTED TO CORRECT DEFICIENCIES WITHIN THIRTY (30) DAYS. SHOULD ANY CORRECTIVE ACTIONS BE NECESSARY, AND UPON REQUEST, SIEMENS WILL PROVIDE GUIDANCE IN AN EFFORT TO FACILITATE RESOLUTION. PLEASE BE ADVISED THAT AFTER 30 DAYS NOTICE ANY REPAIR OR MAINTENANCE SERVICES NEEDED BY SEVERE DEFICIENCIES WILL FALL OUTSIDE YOUR WARRANTY COVERAGE.

RESOURCE LIST (SMS USE ONLY)

DESIGNATION	PG NUMBER	DATE
SYMBIA INTEVO EXCEL, INTEVO 2, INTEVO 6 AND INTEVO 16	NM02-001.891.11.03.02	10/13

ATTENTION:

- THIS DRAWING IS DESIGNED TO CONFORM TO FEATURES AND EQUIPMENT REQUIREMENTS PRESENTED AT THE TIME OF THEIR PREPARATION. SINCE BOTH THESE FACTORS ARE SUBJECT TO DESIGN MODIFICATION, THEY ARE NOT TO BE USED FOR CONSTRUCTION PURPOSES.
- THIS SET OF PLANS REPRESENTS A COMPLETE SET OF DETAILS AND SHOULD NOT BE SEPARATED.

- IT IS RECOMMENDED THAT THE SIEMENS DRAWINGS BE INCORPORATED WITH THE CONSTRUCTION DOCUMENTS FOR REFERENCE.

- ALL DIMENSIONS SHOWN ON THIS DRAWING ARE FROM FINISHED SURFACES.
- THIS DRAWING DOES NOT PROVIDE RADIATION SHIELDING REQUIREMENTS FOR X-RAY AND ASSOCIATED EQUIPMENT. THE CUSTOMER IS RESPONSIBLE FOR CONSULTING WITH A REGISTERED RADIATION PHYSICIST TO SPECIFY RADIATION PROTECTION.

PROJECT MANAGER: RICH DEISTER TEL: (207) 712-3205 FAX: (207) 929-3776 EMAIL: RICH.DEISTER@SIEMENS.COM		<p>MAINE MEDICAL CENTER 22 BRAMHALL STREET, PORTLAND, ME 04102 SPECT/CT #1 B337 - SYMBIA INTEVO 2</p>	
PROJECT #: 1402948			
DATE: 09/12/14	DESCRIPTION: R-101RA VERSION DATED 08/27/14 APPROVED BY THE CUSTOMER FOR FINALS.	THE USE OR REPRODUCTION OF THIS TITLE BLOCK WITHOUT SIEMENS' AUTHORIZATION WILL RESULT IN PROSECUTION UNDER FULL EXTENT OF THE LAW.	
-ISSUE BLOCK-		ALL RIGHTS ARE RESERVED.	
SCALE: AS NOTED	REF. #1-291XKI	DATE: 09/12/14	