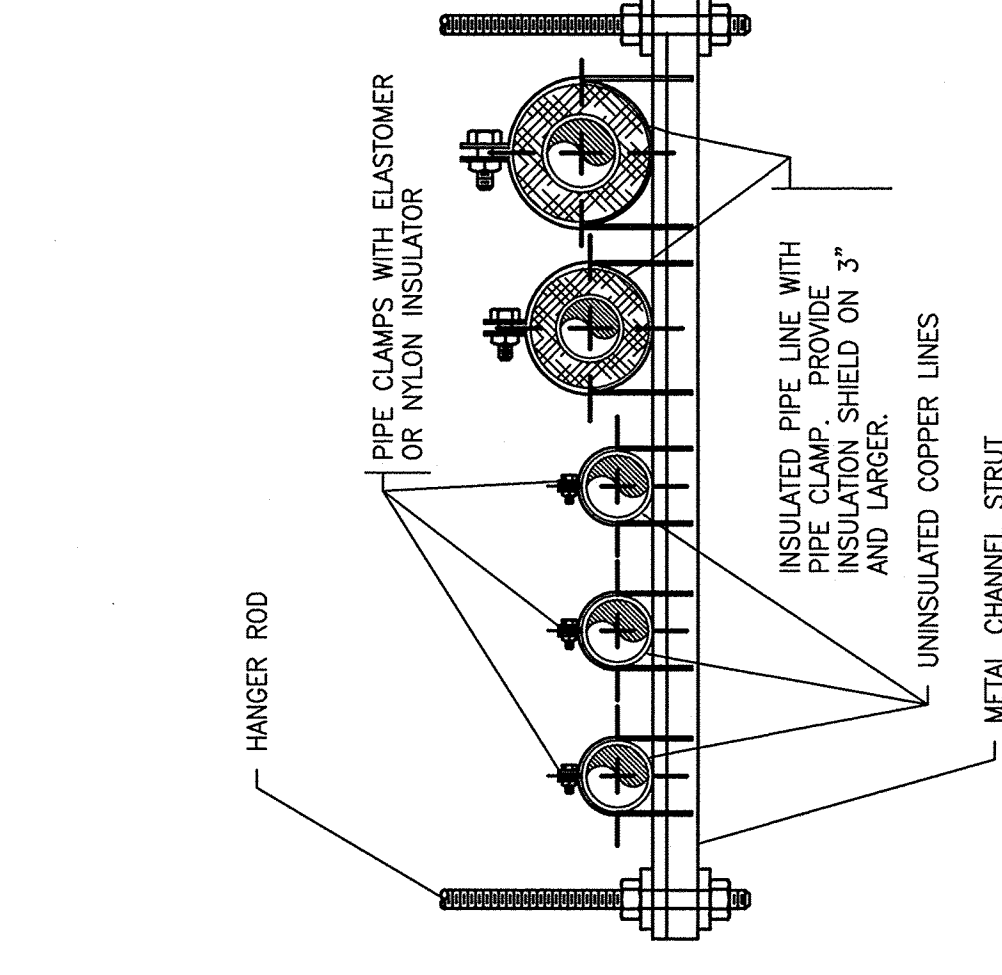
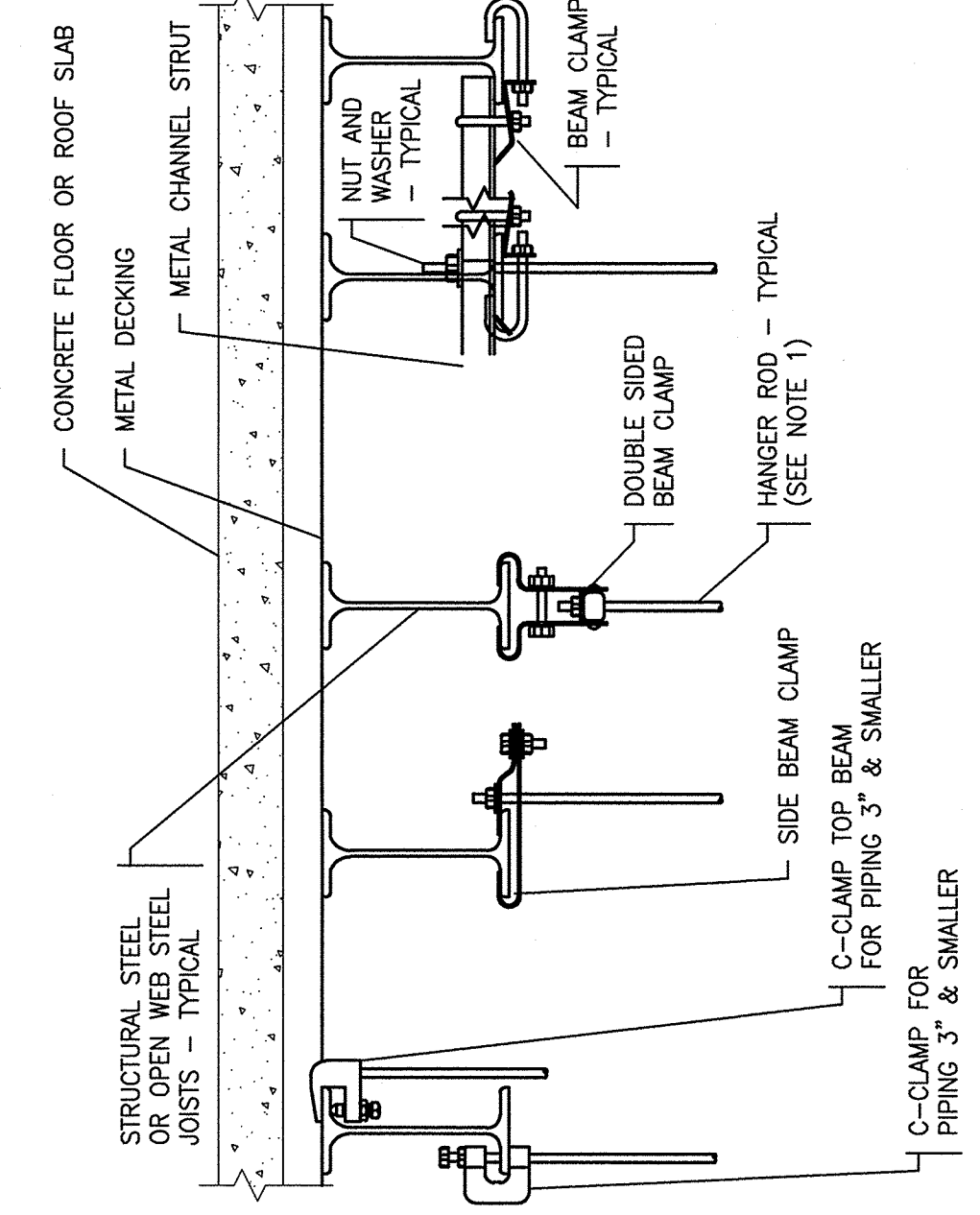


HANGER ROD SCHEDULE		HANGER ROD SPACING	
PIPE SIZE	ROD SIZE	PIPE SIZE	MAX. ALLOWABLE SPACING
UP TO 2"	3/8" DIA.	1"	7'
2 1/2" THRU 3"	1/2" DIA.	1 1/2"	8'
4" AND 5"	3/4" DIA.	2"	10'
6" AND 8"	7/8" DIA.	2 1/2"	11'
10"	1"	3" THRU 6"	12'
		10" & 12"	15'

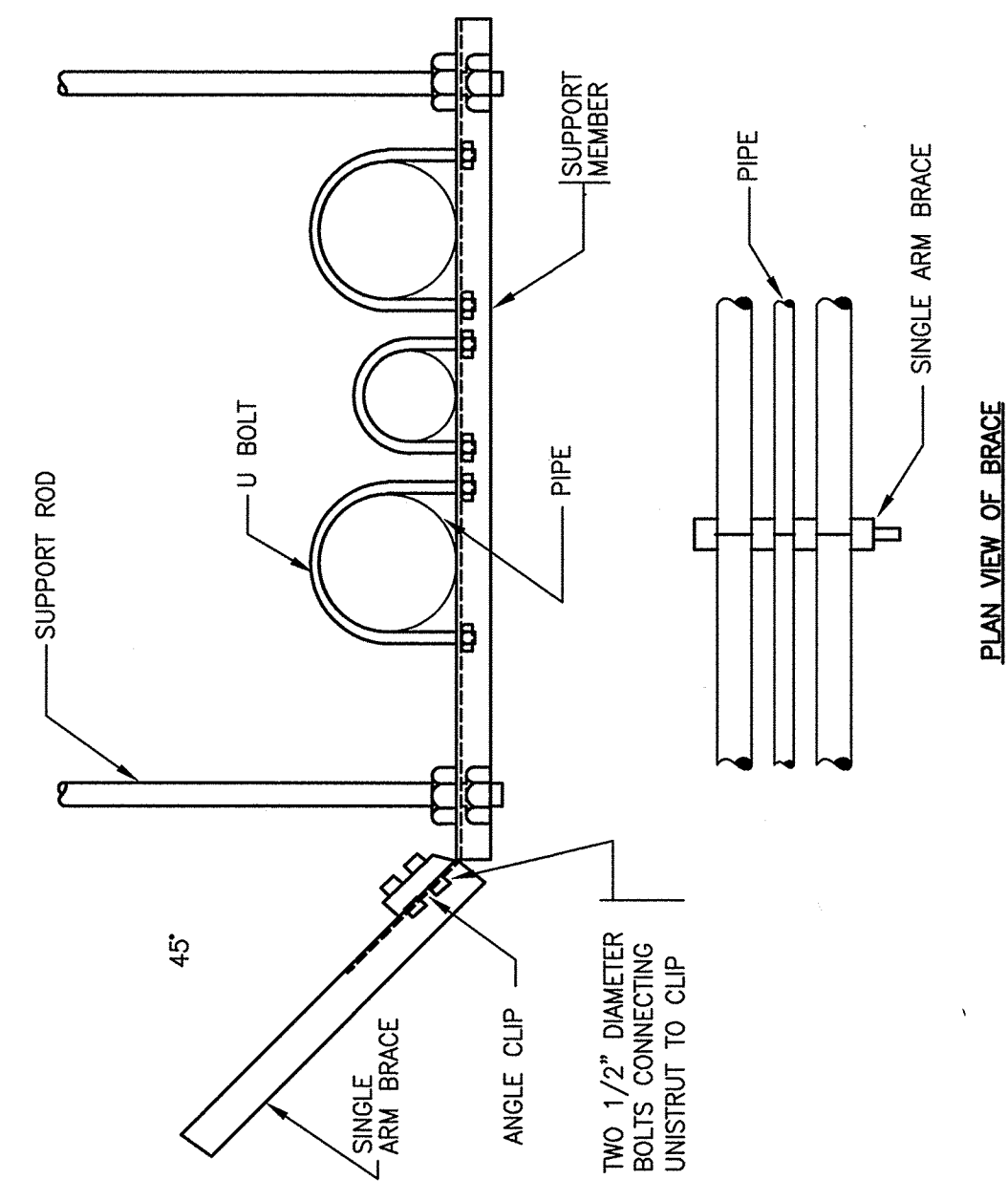
4 PLUMBING PIPE HANGER INSTALLATION DETAIL
SCALE: N.T.S.



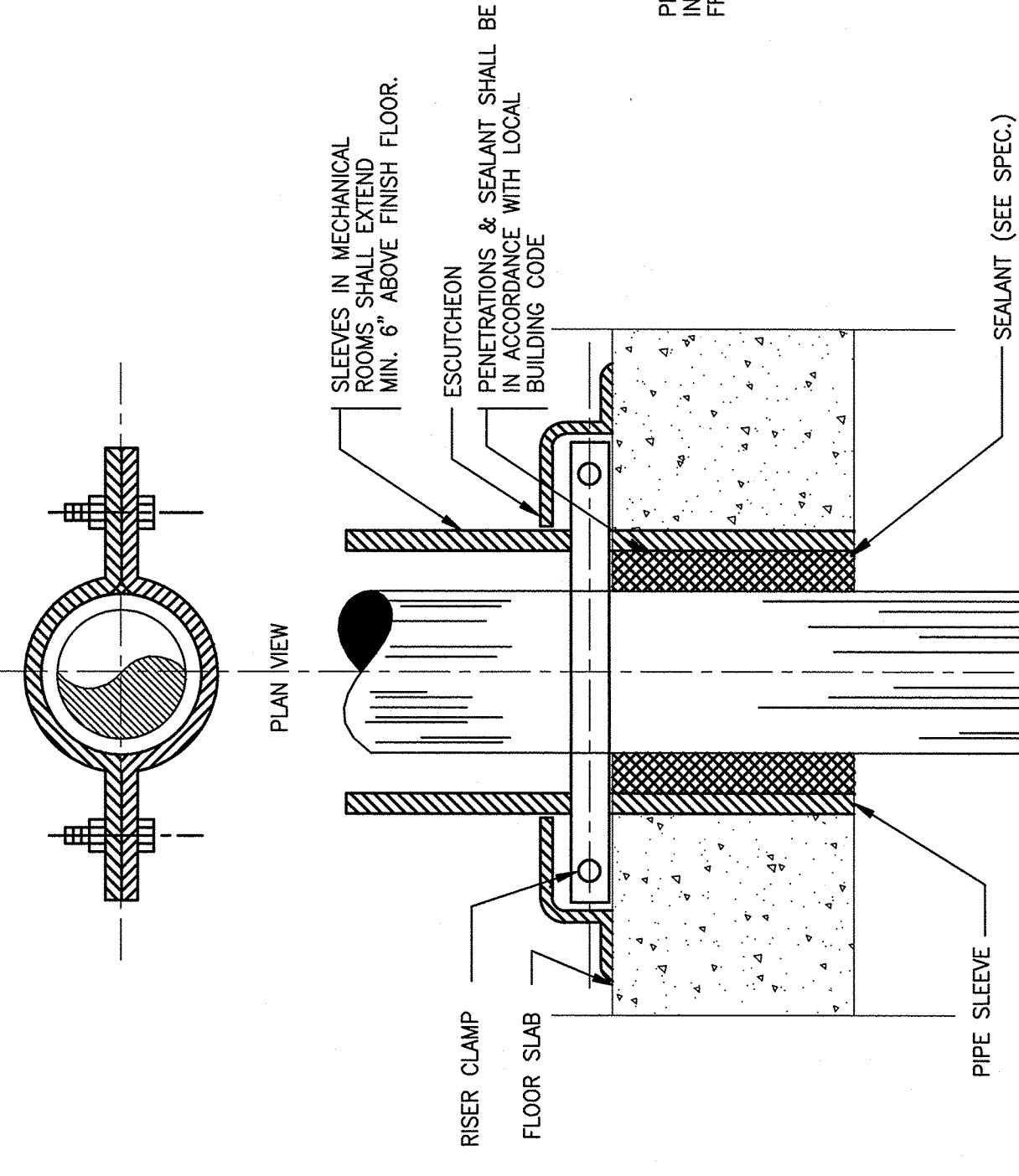
3 TRAPEZE PIPE HANGER
SCALE: N.T.S.



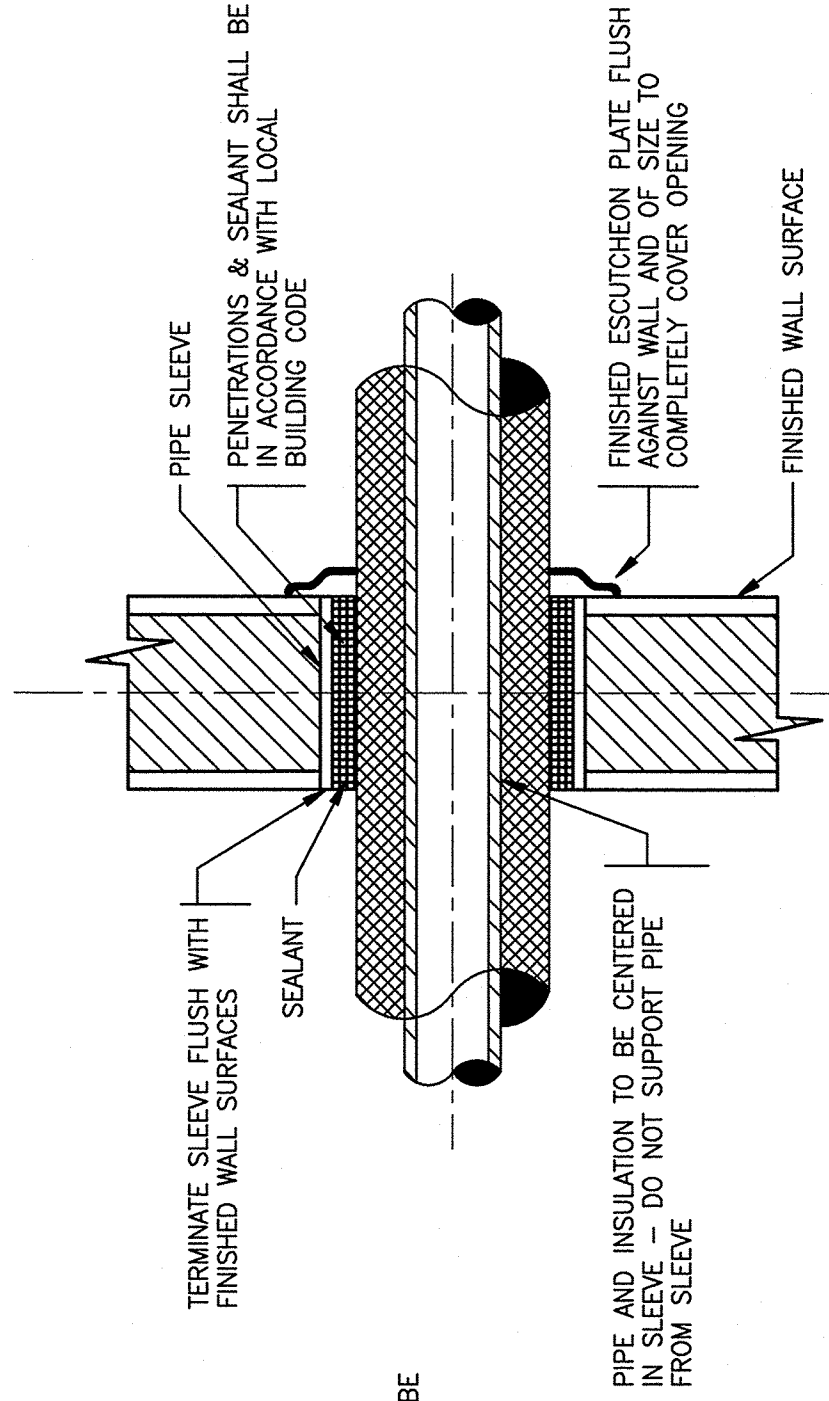
2 TYPICAL METHODS OF SECURING HANGER RODS TO STRUCTURAL STEEL DETAIL
SCALE: N.T.S.



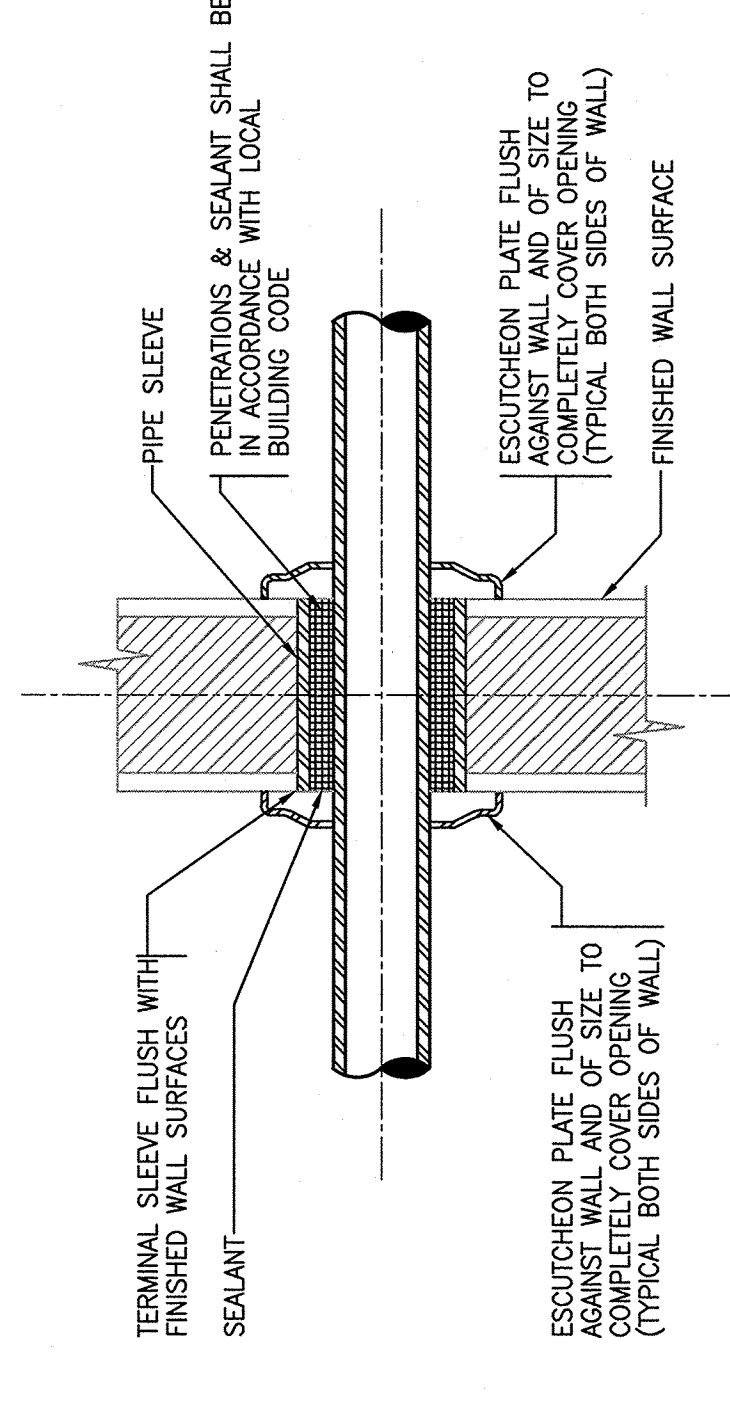
1 SINGLE ARM BRACE FOR TRAPEZE HUNG PIPE
SCALE: N.T.S.



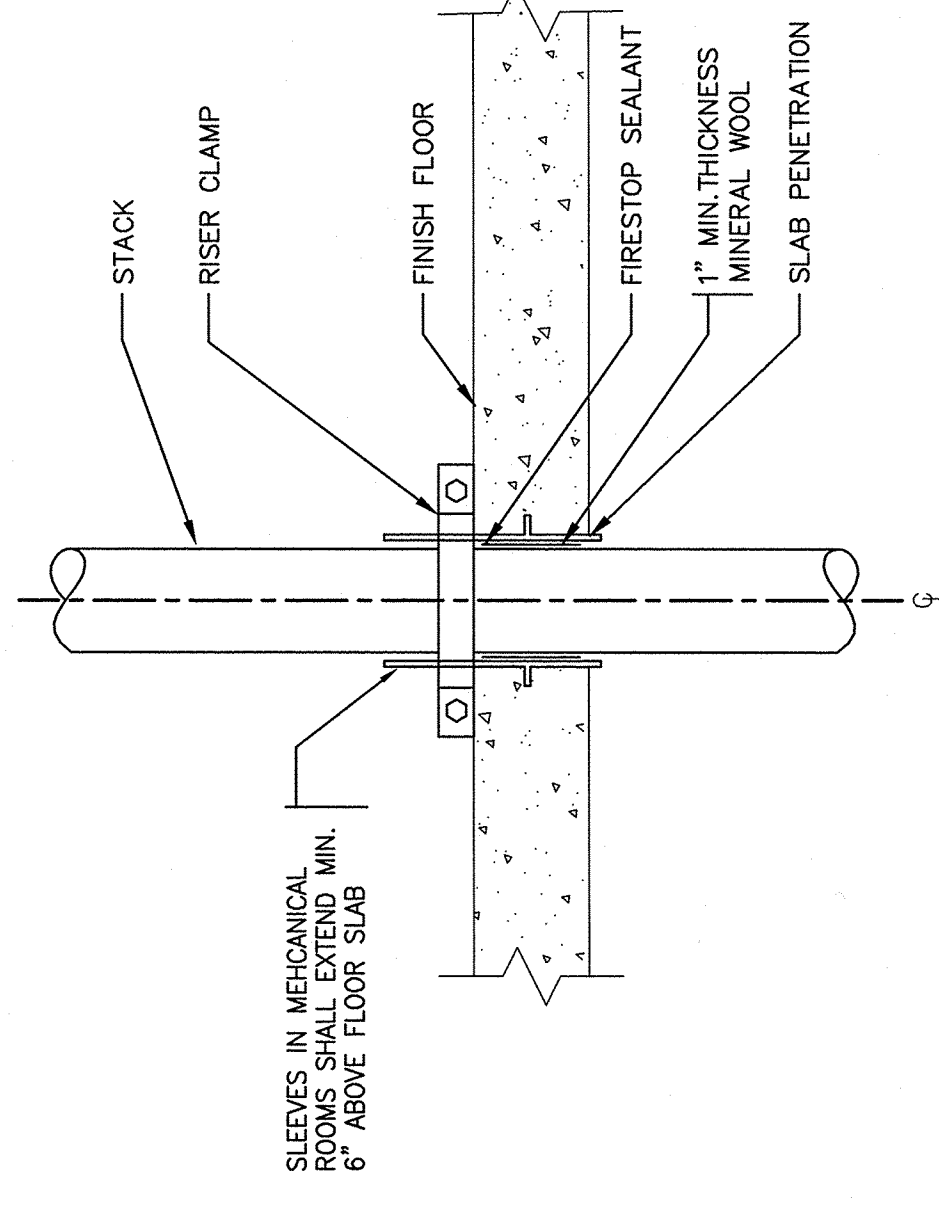
5 PIPE SLEEVE THRU EXPOSED FLOOR SLAB
SCALE: N.T.S.



6 PIPE SLEEVE THRU INTERIOR WALL
SCALE: N.T.S.



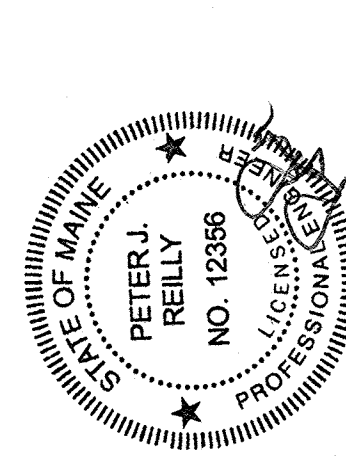
7 PIPE PENETRATION WITHOUT INSULATION
SCALE: N.T.S.



8 TYPICAL FIRE RATED PIPE SLAB PENETRATION
SCALE: N.T.S.

NOTE:
1. FIRESTOP SEALANTS AND PIPING PENETRATIONS THROUGH FIRE RATED ASSEMBLIES SHALL COMPLY WITH THE U.L. FIRE RESISTANCE DIRECTORY.

PLUMBING FIXTURE SCHEDULE							REMARKS
FIXTURES	FIXTURE #	W	V	CW	HW	MANUFACTURER AND EQUIPMENT	MODEL NO.
SINKS	SK-1				1/2"	CHICAGO FAUCET: GOOSENECK, 8" SPREAD	786-0NBAE3-245CP
SINGLE BOWL							UNUSUAL SLOPE SURFACE BOWL BY MILLWORK.



Revisions

NO.	ISSUE	DATE
4	ISSUED FOR PERMIT	08.11.14
	ISSUE FOR BID	07.11.14

Sheet Information

Date	JULY 11, 2014
Job #	162108100
Drawn	DSC
Checked	JMR
Approved	JMR