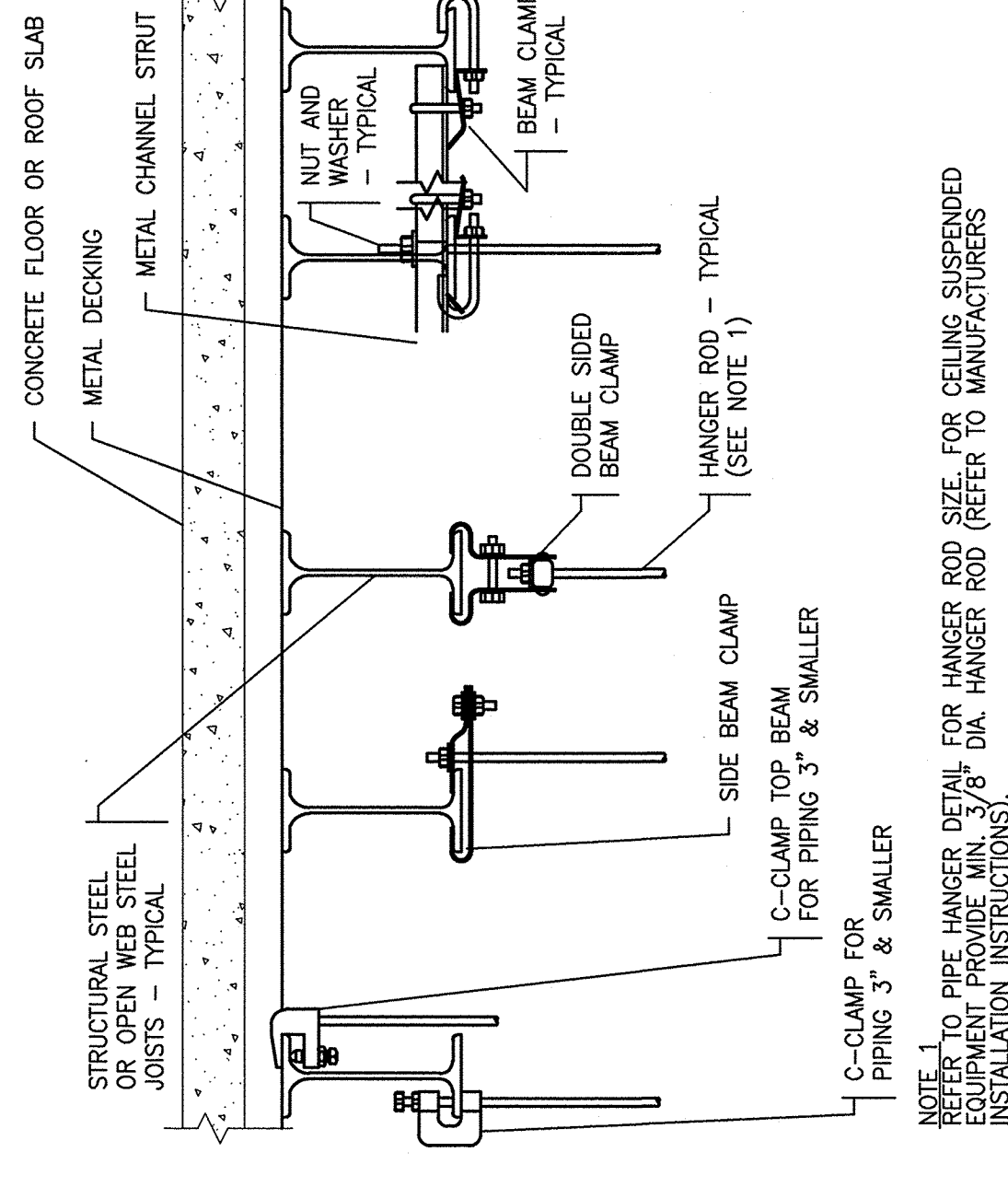


Revisions

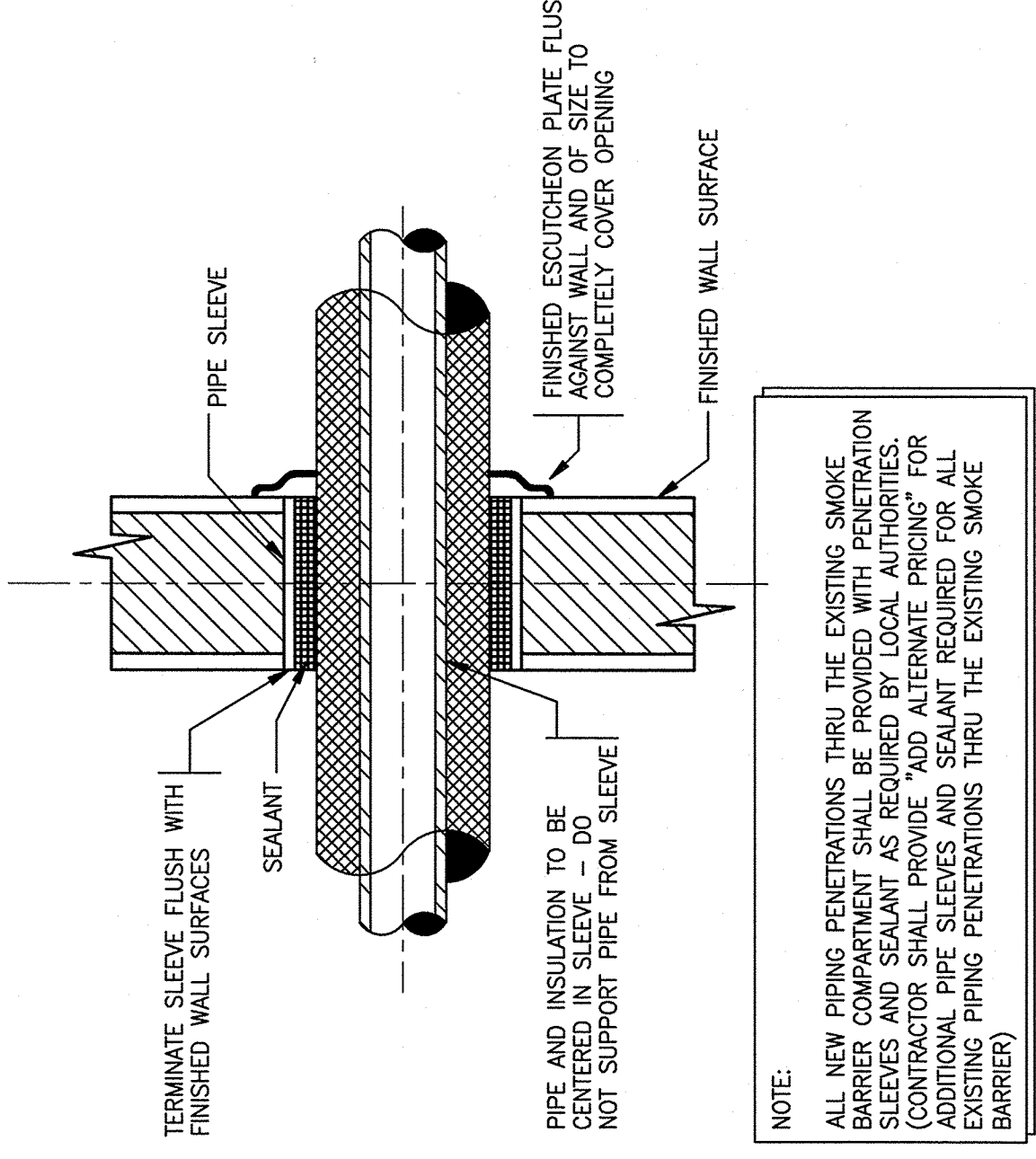
4	ISSUED FOR PERMIT	06.11.14
NO	ISSUED FOR BID	07.11.14
NO	ISSUE	DATE
Sheet Information		
Date	JULY 11, 2014	DOC
Job #	152188.010	JUR
Drawn		AIR
Checked		AIR
Approved		AIR
Title		

**FIRE PROTECTION
DETAILS**

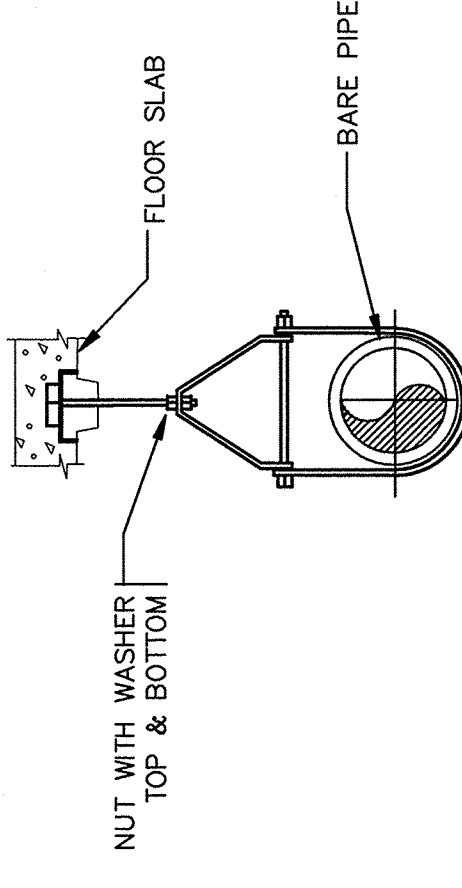
Sheet
F-300



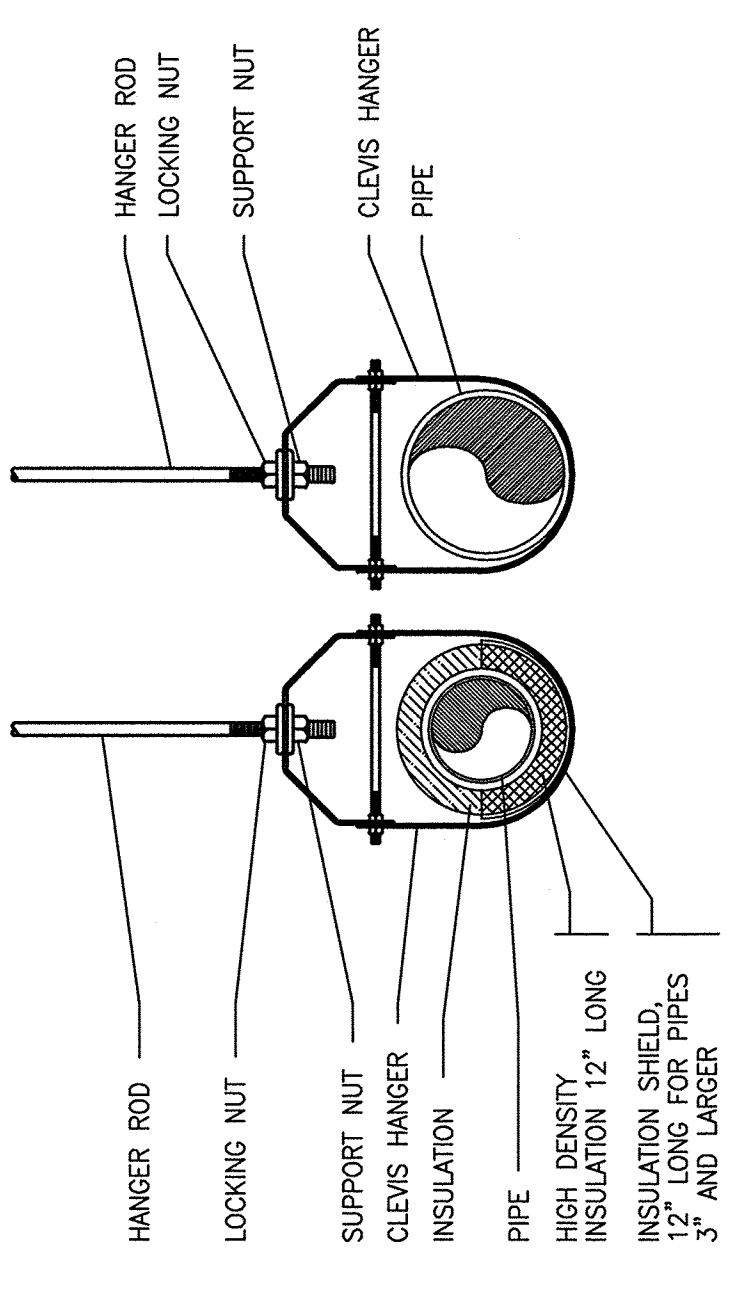
2 TYPICAL METHODS OF SECURING HANGER RODS TO STRUCTURAL STEEL DETAIL
SCALE: N.T.S.



5 LOCATION OF SPRINKLER HEADS IN CEILING PANELS
SCALE: N.T.S.

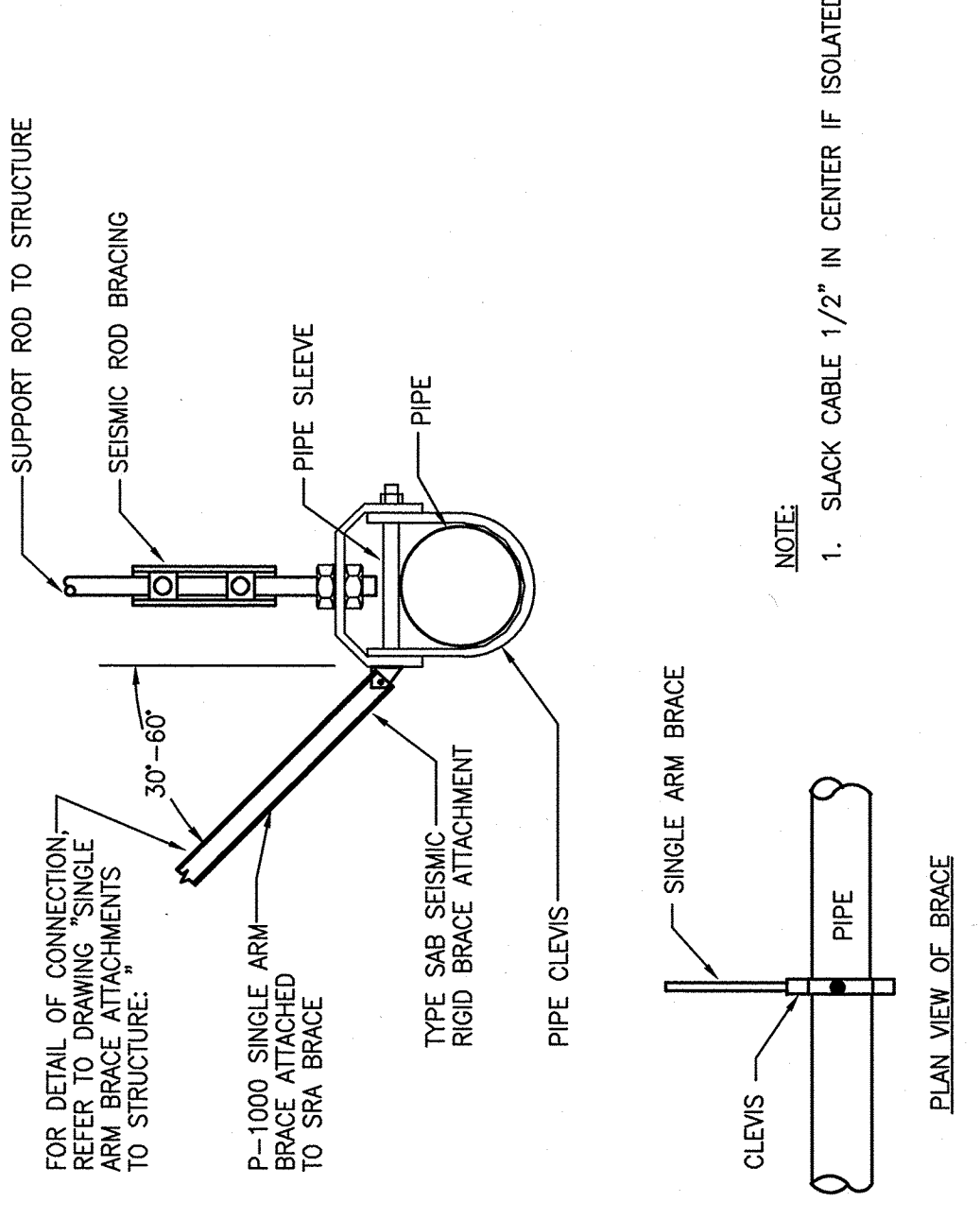


8 CLEVIS HANGER DETAIL
SCALE: N.T.S.

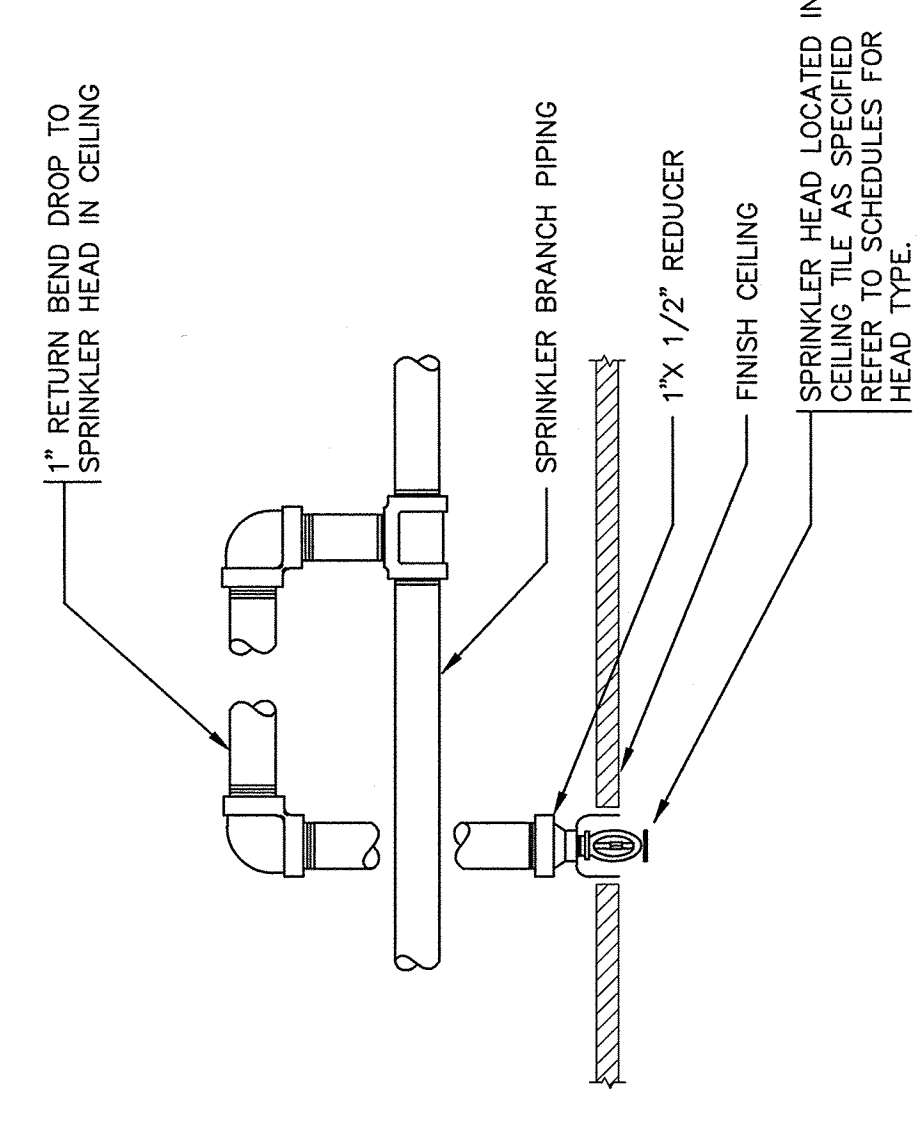


HANGER ROD SCHEDULE		HANGER ROD SPACING	
PIPE SIZE	MAX. ALLOWABLE SPACING	PIPE SIZE	MAX. ALLOWABLE SPACING
1/2"	2'	1 1/4"	8'
3/8"	2'	1 1/2"	9'
1/2"	2'	2"	10'
3/4"	2'	2 1/2"	11'
1"	2'	3"	12'
1 1/4"	2'	3 1/2"	13'
1 1/2"	2'	4"	14'
2"	2'	4 1/2"	15'

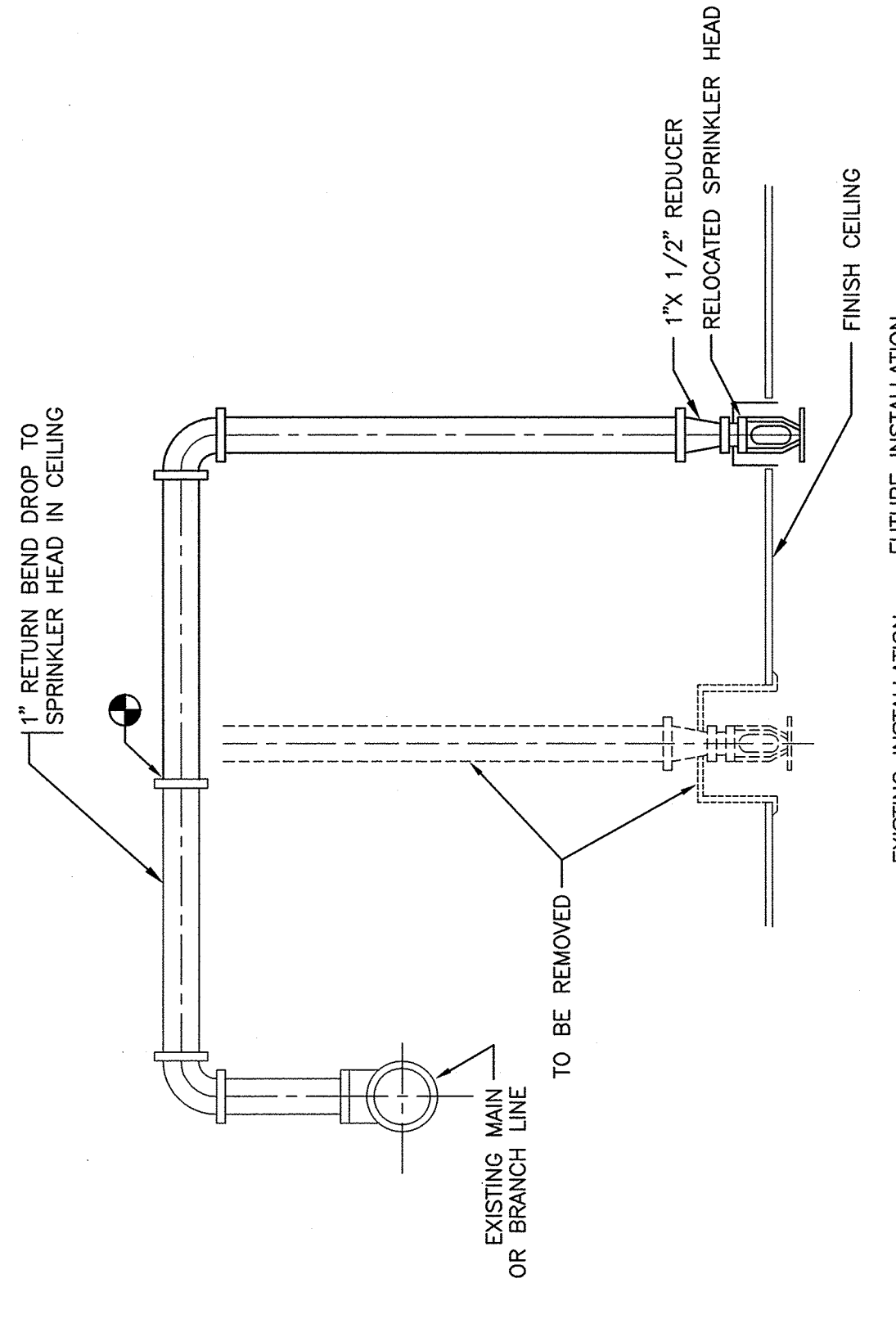
1 PIPE HANGER INSTALLATION DETAIL
SCALE: N.T.S.



3 TRANSVERSE ARM BRACE FOR CLEVIS HUNG PIPING
SCALE: N.T.S.



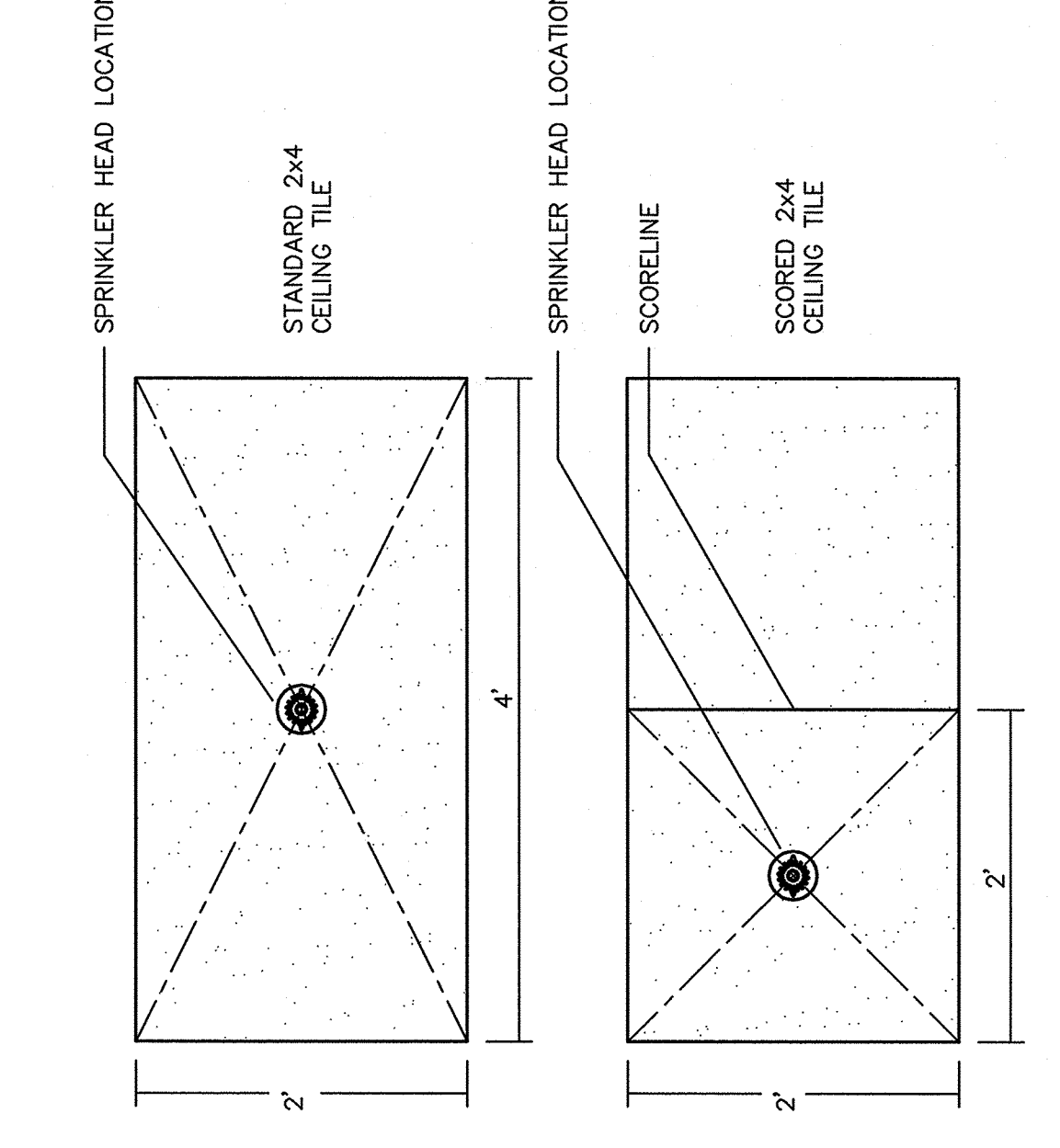
6 TYPICAL RELOCATED PENDENT SPRINKLER HEAD RETURN BEND DROP
SCALE: N.T.S.



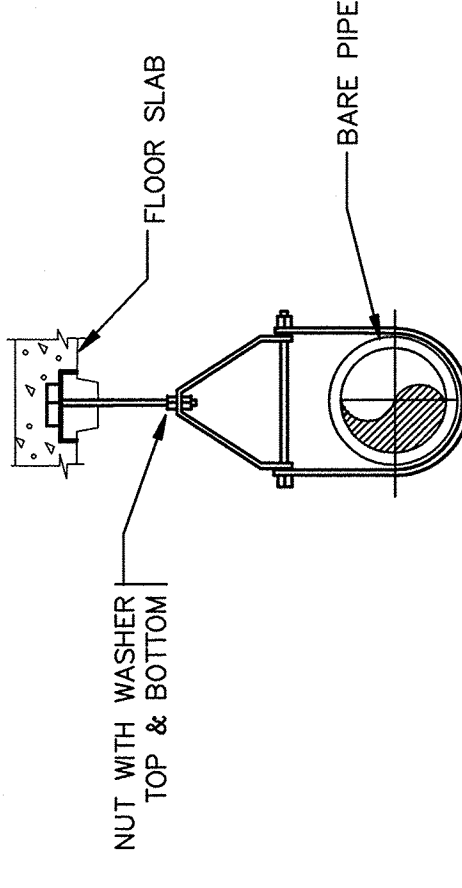
7 TYPICAL SPRINKLER HEAD INSTALLATION
SCALE: N.T.S.

4 PIPE SLEEVE THRU INTERIOR WALL
SCALE: N.T.S.

NOTE:
ALL NEW PIPING PENETRATIONS THRU THE EXISTING SMOKE BARRIER COMPARTMENT SHALL BE PROVIDED WITH PENETRATION SLEEVES AND SEALANT AS REQUIRED BY LOCAL AUTHORITIES. THE SEALANT SHALL BE APPLIED TO THE INTERIOR OF THE EXISTING PIPING PENETRATIONS THRU THE EXISTING SMOKE BARRIER.



5 LOCATION OF SPRINKLER HEADS IN CEILING PANELS
SCALE: N.T.S.



8 CLEVIS HANGER DETAIL
SCALE: N.T.S.